



**Fisher Engineering**

**77865, 87500**

50 Gordon Drive, Rockland, Maine 04841-2139 • [www.fisherplows.com](http://www.fisherplows.com)

February 1, 2026  
Lit. No. 52548, Rev. 13



# ***TRAILBLAZER™***

## **Blade and Off-Truck Kit**

### **HD UTV V-Plow**

**Blade Assembly 87500**

**Attachment Assembly 77865**

**Parts List and Accessories**



**TRAILBLAZER™ BLADE** ..... 4

**HEADGEAR AND T-FRAME** ..... 6

**HYDRAULIC COMPONENTS** ..... 8

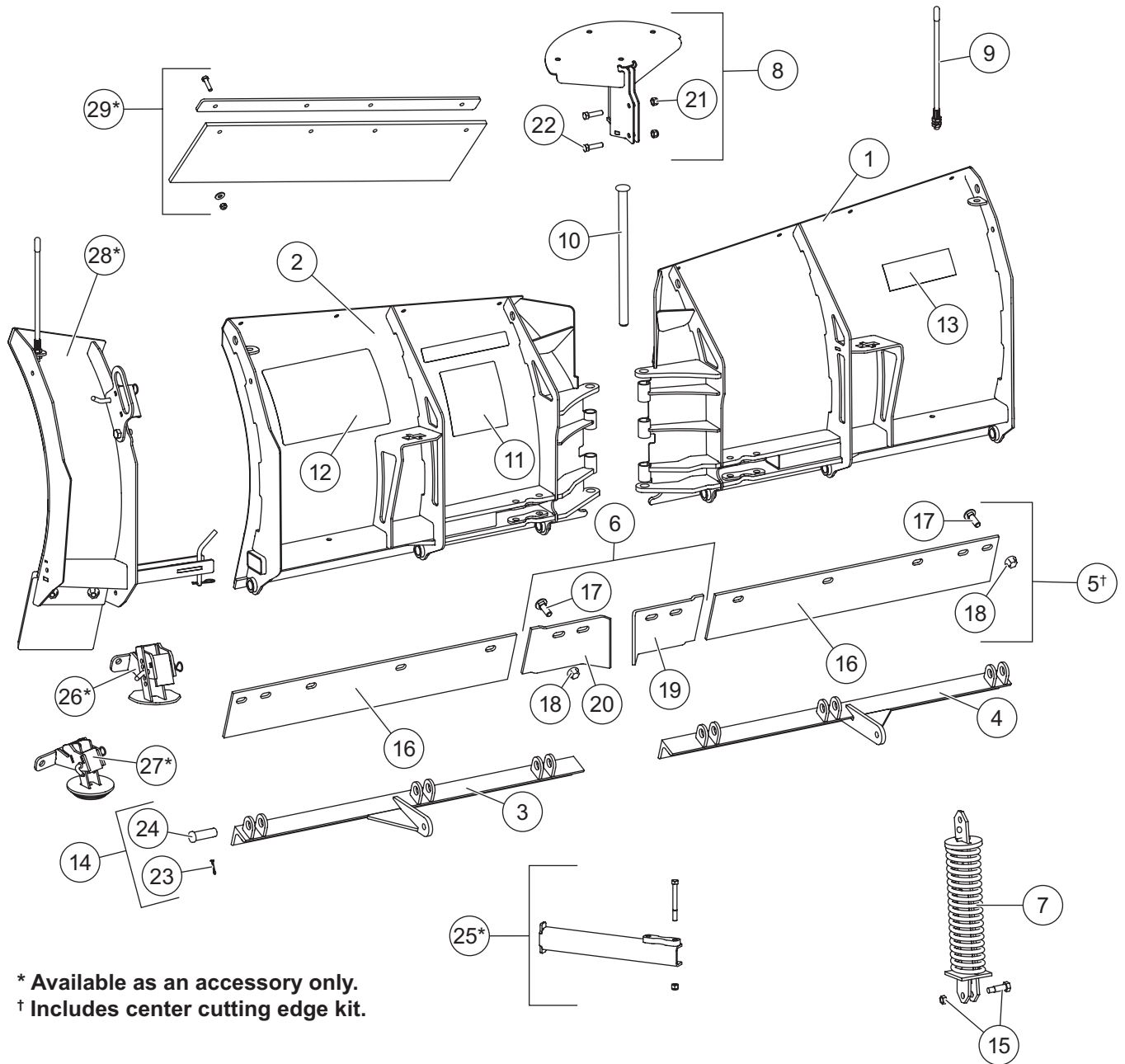
    Hydraulic Unit..... 8

    Lift and Angle Rams ..... 10

    Hoses and Fittings ..... 11

**VEHICLE-SIDE HARNESS DIAGRAM**..... 12

Blade Components



\* Available as an accessory only.  
 † Includes center cutting edge kit.

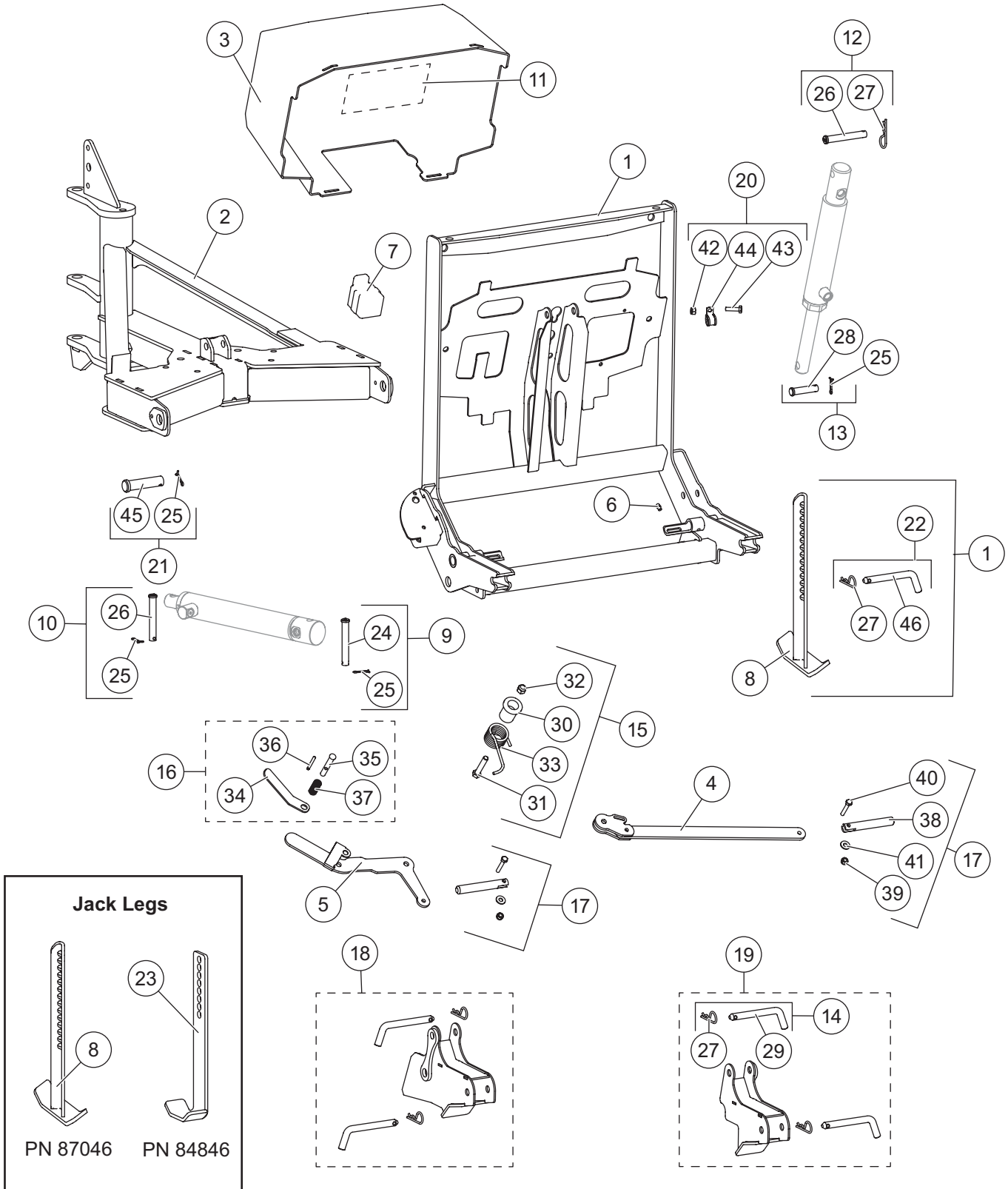
TRAILBLAZER™ Blade Components							
Item	Part	Qty	Description	Item	Part	Qty	Description
1	83615	1	Blade, PS (incl. base angle, trip spring, and labels)	9	92075	1	Blade Guides
2	83614	1	Blade, DS (incl. base angle, trip spring, and labels)	10	51702	1	3/4 x 12-5/8 Pin
3	83612	1	Base Angle, DS	11	84847	1	Label – Warning/Caution, Snowplow
4	83613	1	Base Angle, PS	12	88335	1	Label – Attach/Detach, UTV
5†	84829	1	Cutting Edge Kit w/Fasteners	13	26211	1	Label – Logo, STORM GUARD™
6	83639	1	Center Cutting Edge Kit w/Hardware	14	84844	6	3/4 x 2-3/16 Pin Kit
7	21452	2	Removable Spring Assembly	15	40905	1	Shoulder Bolt w/Locknut Kit
8	87288	1	Snow Control Kit	ns	96991	1	Label – Logo, FISHER® Splatter
				ns	84772	1	Label – Logo, TRAILBLAZER
				ns	85190	1	Blade Label Kit
<b>Item 5† 84829 Cutting Edge Kit w/Fasteners</b>							
6	83639	1	Center Cutting Edge w/Hardware	17		10	1/2-13 x 1-1/2 Carriage Bolt G8
16	84830	2	1/4 Cutting Edge	18		10	1/2-13 Flanged Locknut
<b>Item 6 83639 Center Cutting Edge Kit w/Hardware</b>							
17		4	1/2-13 x 1-1/2 Carriage Bolt G8	19	84323	1	Center Cutting Edge, UTV – PS
18		4	1/2-13 Flanged Locknut	20	84325	1	Center Cutting Edge, UTV – DS
<b>Item 8 87288 Snow Control Kit</b>							
		1	Snow Control	22		2	3/8-16 x 1-1/2 Hex Cap Screw
21		2	3/8-16 Hex Locknut GB				
<b>Item 14 84844 3/4 x 2-3/16 Pin Kit</b>							
23		1	5/32 x 1-1/4 Cotter Pin	24		1	3/4 x 2-3/16 Pin
<b>Item 15 40905 Shoulder Bolt w/Locknut Kit</b>							
		1	7/16-14 x 1-5/8 Hex Shoulder Bolt			1	7/16-14 Hex Locknut GB
<b>85190 Blade Label Kit</b>							
11	84847	1	Label – Warning/Caution, Snowplow	ns	96991	1	Label – Logo, FISHER Splatter
12	88335	1	Label – Attach/Detach, UTV	ns	84772	1	Label – Logo, TRAILBLAZER
13	26211	1	Label – Logo, STORM GUARD				
ns = not shown				G = Grade			

† Includes center cutting edge kit.

TRAILBLAZER Blade Accessories							
Item	Part	Qty	Description	Item	Part	Qty	Description
25*	83616	1	Blade Stop Kit (pair)	28*	52657	1	Accessory Wing Kit (pair)
26*	52656	1	Accessory Shoe Kit (pair)	29*	52654	1	Deflector Kit (pair)
27*	83852	1	Extreme Wear Shoe Kit (pair)				

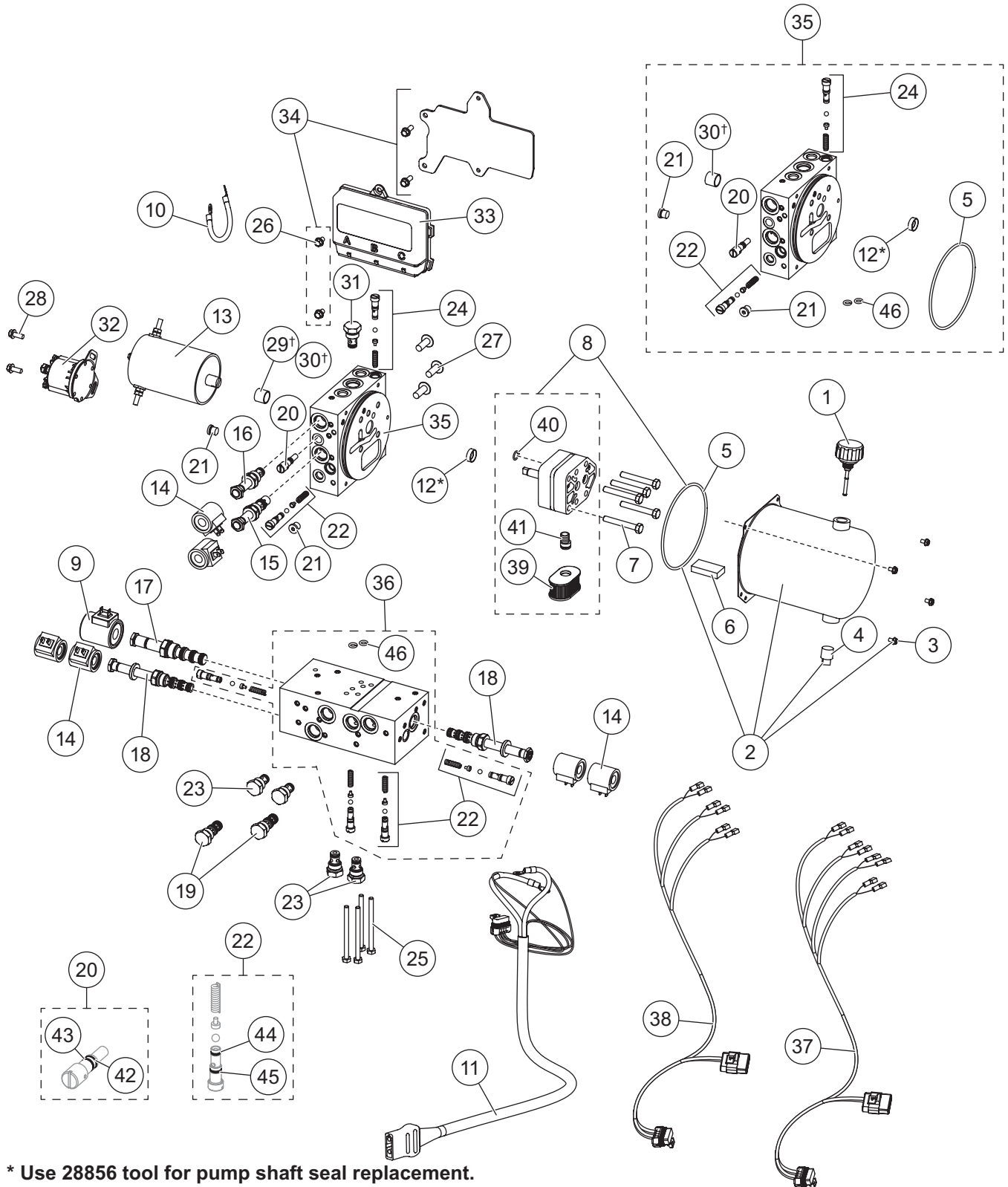
\* Accessory only.

### Headgear and T-Frame Components



TRAILBLAZER™ Headgear and T-Frame Components							
Item	Part	Qty	Description	Item	Part	Qty	Description
1	88761	1	Headgear	13	84627	1	Lift Ram Rod Pin Kit
2	83628	1	T-Frame	14	84610	4	Receiver Pin Kit
3	84843	1	Hydraulic Cover (incl. item 11)	15	83636	1	Torsion Spring/Spacer Kit
4	83635	1	Link	16	83633	1	Attach Handle Release Cam Kit
5	83634	1	Handle	17	84602	2	Hitch Pin Kit
6	84616	1	Grease Zerk (pkg of 3)	18	83637	1	Receiver Kit, DS
7	61246	1	Cable Boot	19	83638	1	Receiver Kit, PS
8	87046	1	Jack Leg	20	84778	1	Power Cable Clamp Loop Kit
9	83629	2	Angle Ram Base Pin Kit	21	83630	2	T-Frame Pin Kit
10	85198	2	Angle Ram Rod Pin Kit	22	83825	1	Stand Pin Kit
11	43862	1	Label – Information, Hydraulic	23	84846	1	Stand
12	85199	1	Lift Ram Base Pin Kit				
<b>Item 1 88761 Headgear Kit</b>							
8		1	Stand	27		1	1/8 Hair Pin Cotter
22		1	Stand Pin Kit	46		1	3/8 x 2-3/8 Clevis Pin
<b>Item 9 83629 Angle Ram Base Pin Kit</b>							
24		1	1/2 x 3-11/16 Clevis Pin HT	25		1	5/32 x 1-1/2 Cotter Pin
<b>Item 10 85198 Angle Ram Rod Pin Kit</b>							
25		1	5/32 x 1-1/2 Cotter Pin	26		1	1/2 x 2-7/8 Clevis Pin HT
<b>Item 12 85199 Lift Ram Base Pin Kit</b>							
26		1	1/2 x 2-7/8 Clevis Pin HT	27		1	1/8 Hairpin Cotter
<b>Item 13 84627 Lift Ram Rod Pin Kit</b>							
25		1	5/32 x 1-1/2 Cotter Pin	28		1	1/2 x 2-1/8 Clevis Pin HT
<b>Item 14 84610 Receiver Pin Kit</b>							
27		1	1/8 Hairpin Cotter	29		1	1/2 x 4 Clevis Pin
<b>Item 15 83636 Torsion Spring/Spacer Kit</b>							
30		1	Spacer, Handle Spring	32		1	3/8-16 Hex Locknut GB
31		1	3/8-16 x 2-1/4 Hex Cap Screw G5	33		1	Torsion Spring
<b>Item 16 83633 Attach Handle Release Cam Kit</b>							
34		1	Handle Lock Pin Lever	36		1	3/16 x 1-3/8 Spring Pin SS
35		1	Lock Pin	37		1	Stand Lock Pin Spring
<b>Item 17 84602 Hitch Pin Kit</b>							
38		1	Hitch Pin	40		1	1/4-20 x 1-1/2 Hex Cap Screw SS
39		1	1/4-20 Hex Locknut GB	41		1	1/4 Flat Washer Type A Wide
<b>Item 18 83637 Receiver Kit, DS</b>							
		1	Receiver, DS	14		2	Receiver Pin Kit
<b>Item 19 83638 Receiver Kit, PS</b>							
		1	Receiver, PS	14		2	Receiver Pin Kit
<b>Item 20 84778 Power Cable Clamp Loop Kit</b>							
42		1	1/4-20 Hex Locknut GB	44		1	#10 Clamp Loop
43		1	1/4-20 x 1 Hex Cap Screw G5				
<b>Item 21 83630 T-Frame Pin Kit</b>							
25		1	5/32 x 1-1/2 Cotter Pin	45		1	3/4 x 3 Clevis Pin
<b>Item 22 83825 Stand Pin Kit</b>							
27		1	1/8 Hairpin Cotter	46		1	3/8 x 2-3/8 Clevis Pin
G = Grade			HT = Heat Treated			SS = Stainless Steel	

Hydraulic Unit Components



\* Use 28856 tool for pump shaft seal replacement.  
 † Use 64589 tool for bearing sleeve replacement.

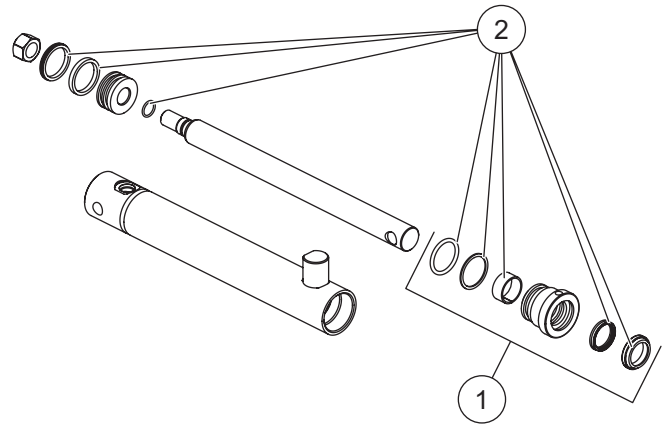
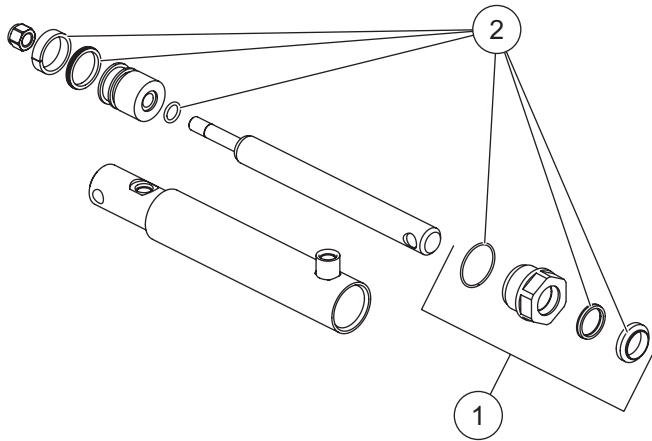
52652 TRAILBLAZER™ Hydraulic Unit						
Item	Part	Qty	Description	Item	Part	Qty Description
1	66525	1	Reservoir Filler Breather	21	44344	2 Plug, Hex Socket -4 M ORB
2	48538	1	Reservoir Kit	22	7629K-4	2-1/2 Relief Valve Kit (2 sets)
3	66607	4	#10-24 x 5/16 Machine Screw	23	44333-1	4 Check Valve CV08-20
4	92079	1	Plug, Square 3/8 NPTF	24	27792-1	1 Relief Valve Repair Kit (1 set)
5	66519	1	O-Ring 2-250	25	90696	4 1/4-20 x 3-1/2 Hex Cap Screw G5
6	73897	1	Magnet	26	43988	2 1/4-20 x 3/8 Hex Washer-Head Thread-Rolling Screw
7	90073	5	5/16-18 x 2-1/4 Hex Cap Screw G5	27	98043	3 3/8-16 x 1 Button Cap Screw
8	52553	1	Pump Kit	28	44355	4 1/4-20 x 5/8 Hex Washer-Head Thread-Rolling Screw
9	84901	1	Coil 10 w/Spades	29†	64596-1	1 Sleeve-Bearing and Shaft Seal Kit
10	29071	1	Cable Assembly, 8"	30†	56364	1 Sleeve Bearing
11	42015	1	Cable Assembly, Plow	31	84934	1 Check Valve
12*	66515	1	Pump Shaft Seal	32	52290	1 Motor Relay
13	48543-1	1	Motor Assembly, 3"	33	52292-2	1 Plow Module
14	7639K-2	6	Coil w/Spade Terminals	34	52293-1	1 Module Plate
15	44331	1	Valve, SVCV08-20 w/Nut	35	52551	1 Primary Manifold, w/o Valves
16	84936	1	Valve, 2-Way NC w/Rev Flow	36	52552	1 Secondary Manifold, w/o Valves
17	84900	1	Valve, 4-Way SV10-43 w/Nut	37	52215	1 Plow Control Harness, 4-Coil
18	52285	2	Valve, 4-Way 3-Position Closed Center w/Nut and Spacer	38	52217	1 Plow Control Harness, 3-Coil
19	49459	2	Valve, PC08-30 w/Nut			
20	48517	1	Quill			
<b>Item 2 48538 Reservoir Kit</b>						
		1	Reservoir	4	92079	1 Plug, Square 3/8 NPTF
3	66607	4	#10-24 x 5/16 Machine Screw	5	66519	1 O-Ring 2-250
<b>Item 8 52553 Pump Kit</b>						
		1	Pump	40	56274	1 O-Ring -013
5	66519	1	O-Ring 2-250	41	10887	1 Hydraulic Pump Inlet Fitting
39	26781-4	1	Suction Filter			
<b>Item 20 48517 Quill</b>						
42	48239	1	O-Ring -106	43	48240	1 Back-Up Ring -106
<b>Item 22 7629K-4 Relief Valve Kit</b>						
44	55371	6	O-Ring -008	45	25731	6 O-Ring -010
<b>Item 34 52293-1 Module Plate</b>						
		1	Module Plate	28	44355	4 1/4-20 x 5/8 Hex Washer-Head Thread-Rolling Screw
26	43988	2	1/4-20 x 3/8 Hex Washer-Head Thread-Rolling Screw			
<b>Item 35 52551 Primary Manifold w/o Valves</b>						
5	66519	1	O-Ring 2-250	22	7629K-4	2 Relief Valve Kit (2 sets)
12*	66515	1	Pump Shaft Seal	24	27792-1	1 Relief Valve Repair Kit (1 set)
20	48517	1	Quill	30†	56364	1 Sleeve Bearing
21	44344	2	Plug, Hex Socket -4 M ORB	46	43818	2 O-Ring -109
<b>Item 36 52552 Secondary Manifold w/o Valves</b>						
22	7629K-3	2	Relief Valve Kit (2 sets)	46	43818	2 O-Ring -109
<b>O-Ring Service Kits</b>						
ns	52298-3		O-Ring Kit (does not contain O-rings for valves)	ns	49259-2	Seal Kit, 3-Way and 4-Way Valve
ns	49258-2		Seal Kit, 2-Way Valves	ns	84909	Seal Kit, Size 10, 3-Way and 4-Way Valve
ns = not shown				M = Male		G = Grade

\* Use 28856 tool for pump shaft seal replacement (includes 1 seal).

† Use 64589 tool for bearing sleeve replacement (includes 1 bearing).

Go to [www.fisherplows.com](http://www.fisherplows.com) for hydraulic unit service information and specifications.

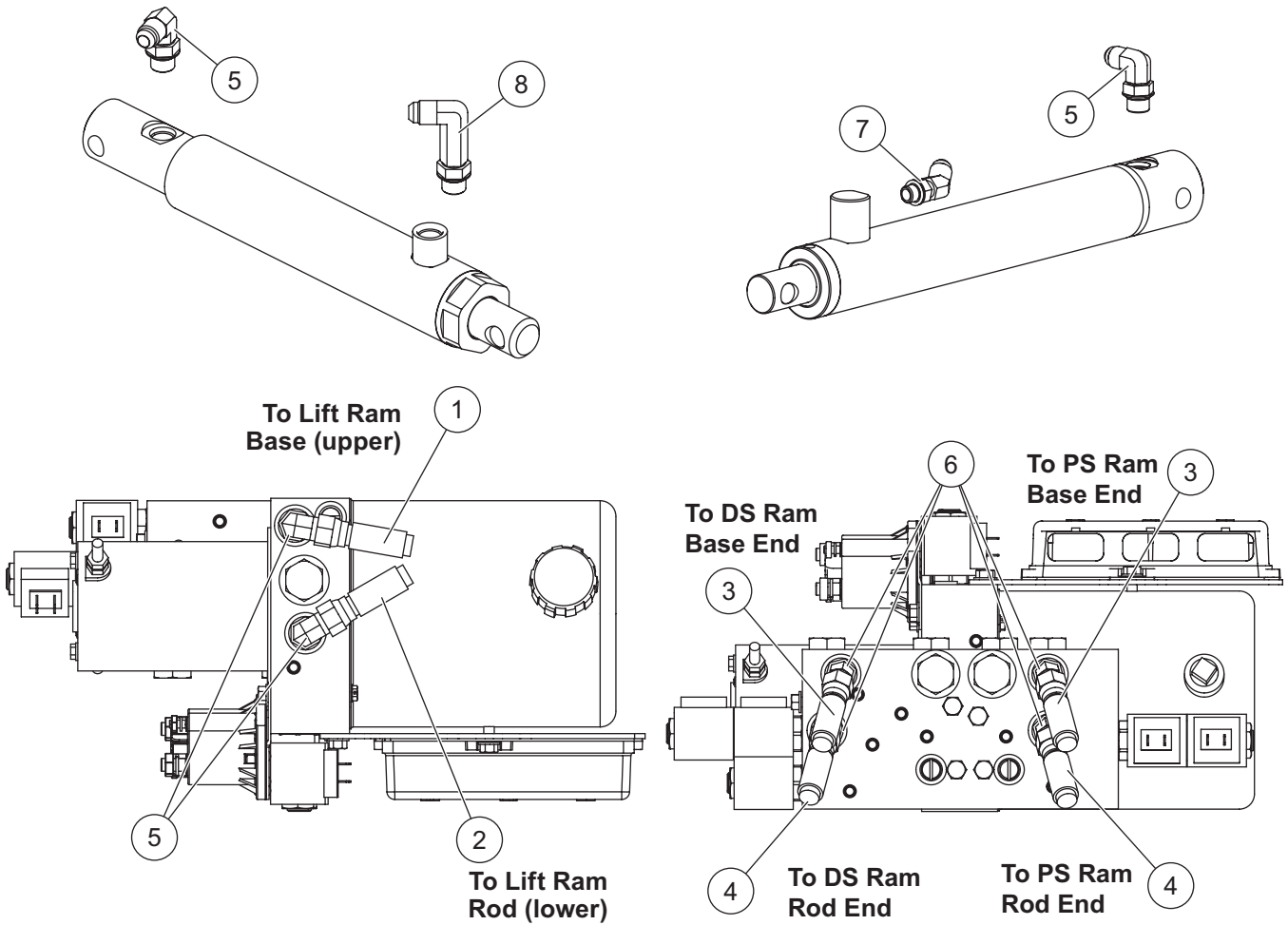
**Lift and Wing Ram Components**



<b>77485 Lift Ram Assembly 1-1/2 x 6</b>			
Item	Part	Qty	Description
1	52277	1	1" Gland Nut Assembly
2	27788-1	1	Seal Kit 1-1/2 DA Ram

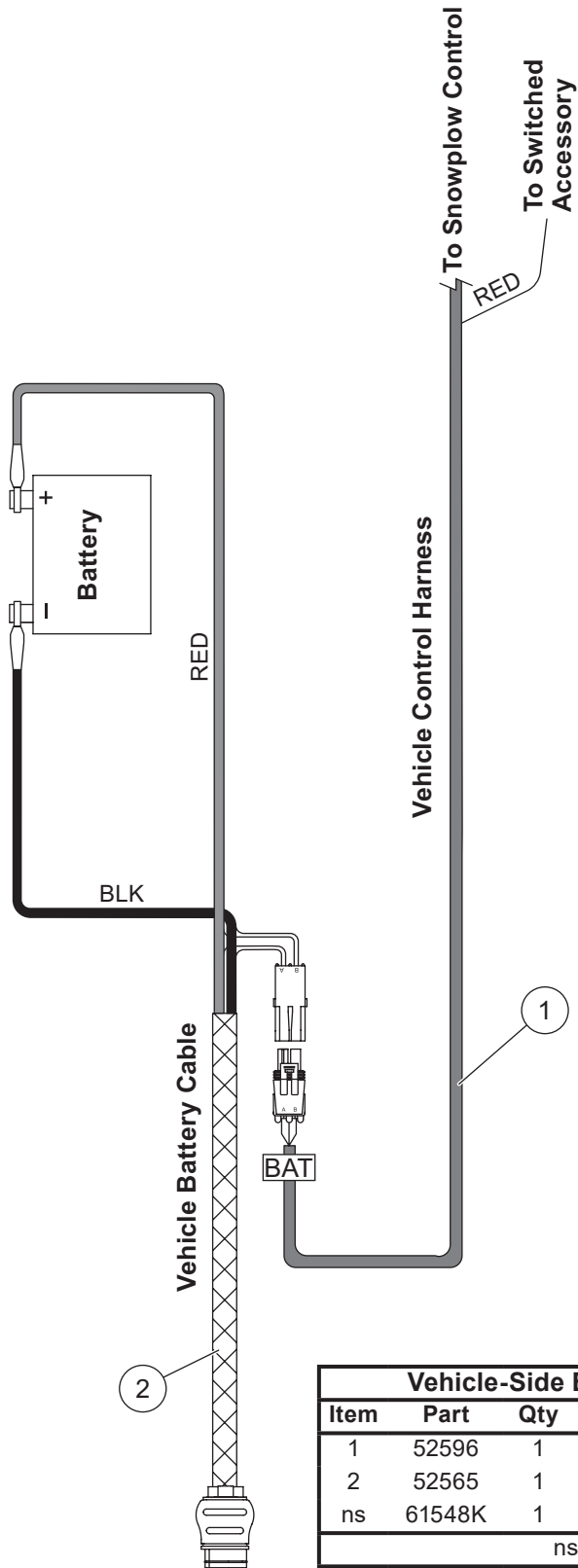
<b>77482 Wing Ram Assembly 1-1/2 x 8-3/4 DA</b>			
Item	Part	Qty	Description
1	52558	1	1" Gland Nut Assembly
2	52557	1	Seal Kit 1-1/2 DA Ram

Hoses and Fittings



Hoses and Fittings							
Item	Part	Qty	Description	Item	Part	Qty	Description
1	84446	1	Hose, 1/4 x 14 w/F JIC Ends	6	56726	4	Elbow, 45° -6 M JIC/-6 M ORB
2	84453	1	Hose, 1/4 x 20 w/F JIC Ends	7	41093	2	Elbow, 45° -6 M JIC/-4 M ORB
3	56710	2	Hose, 1/4 x 32 w/F JIC Ends	8	44361	1	Elbow, Extra Long 90° -6 M JIC/-6 M ORB
4	56599	2	Hose, 1/4 x 36 w/F JIC Ends				
5	56615-1	5	Elbow, 90° -6 M JIC/-6 M ORB				
F = Female				M = Male			

Vehicle-Side Harness Diagram



Vehicle-Side Electrical Components			
Item	Part	Qty	Description
1	52596	1	Vehicle Control Harness
2	52565	1	Vehicle Battery Cable
ns	61548K	1	Plug Cover Kit
ns = not shown			





Fisher Engineering  
50 Gordon Drive  
Rockland, ME 04841-2139  
[www.fisherplows.com](http://www.fisherplows.com)

**A DIVISION OF FISHER, LLC**

Copyright © 2026 Douglas Dynamics, LLC. All rights reserved. This material may not be used, reproduced, or copied in any manner, in whole or in part, in any printed, mechanical, electronic, film, or other distribution and storage media, nor analyzed or manipulated in any manner for the purpose of training artificial intelligence technologies or systems, without the written consent of Fisher Engineering. In accordance with Article 4(3) of the Digital Single Market Directive 2019/790, Fisher Engineering expressly reserves this work from the text and data mining exception. Authorization to photocopy items for internal or personal use by Fisher Engineering outlets or equipment owner is granted.

Fisher Engineering reserves the right under its product improvement policy to change construction or design details and furnish equipment when so altered without reference to illustrations or specifications used. Fisher Engineering or the vehicle manufacturer may require or recommend optional equipment for snow removal. Do not exceed vehicle ratings with a snowplow. Fisher Engineering offers a limited warranty for all equipment and accessories. See separately printed page for this important information. The following are registered (®) or unregistered (™) trademarks of Douglas Dynamics, LLC: FISHER®, STORM GUARD™, TRAILBLAZER™.

**Printed in U.S.A.**