



**8100, 8611**

**POWER PLOW™ Snowplow**

**Blade Assembly 77750, 77755**

**Big Box Assembly 77850**

**Parts List**





# TABLE OF CONTENTS

---

<b>8100/8611 POWER PLOW™ BLADE ASSEMBLIES</b> .....	4
8100 Blade Components .....	4
8611 Blade Components.....	6
<b>A-FRAME ASSEMBLY</b> .....	8
<b>HEADGEAR ASSEMBLY</b> .....	10
<b>HYDRAULIC AND ELECTRICAL COMPONENTS</b> .....	12
Hydraulic Unit.....	12
Lift and Angle Rams .....	14
Hoses and Fittings.....	15
Electrical Components.....	16
<b>VEHICLE-SIDE HARNESS DIAGRAM</b> .....	17
<b>HEADLAMPS</b> .....	18



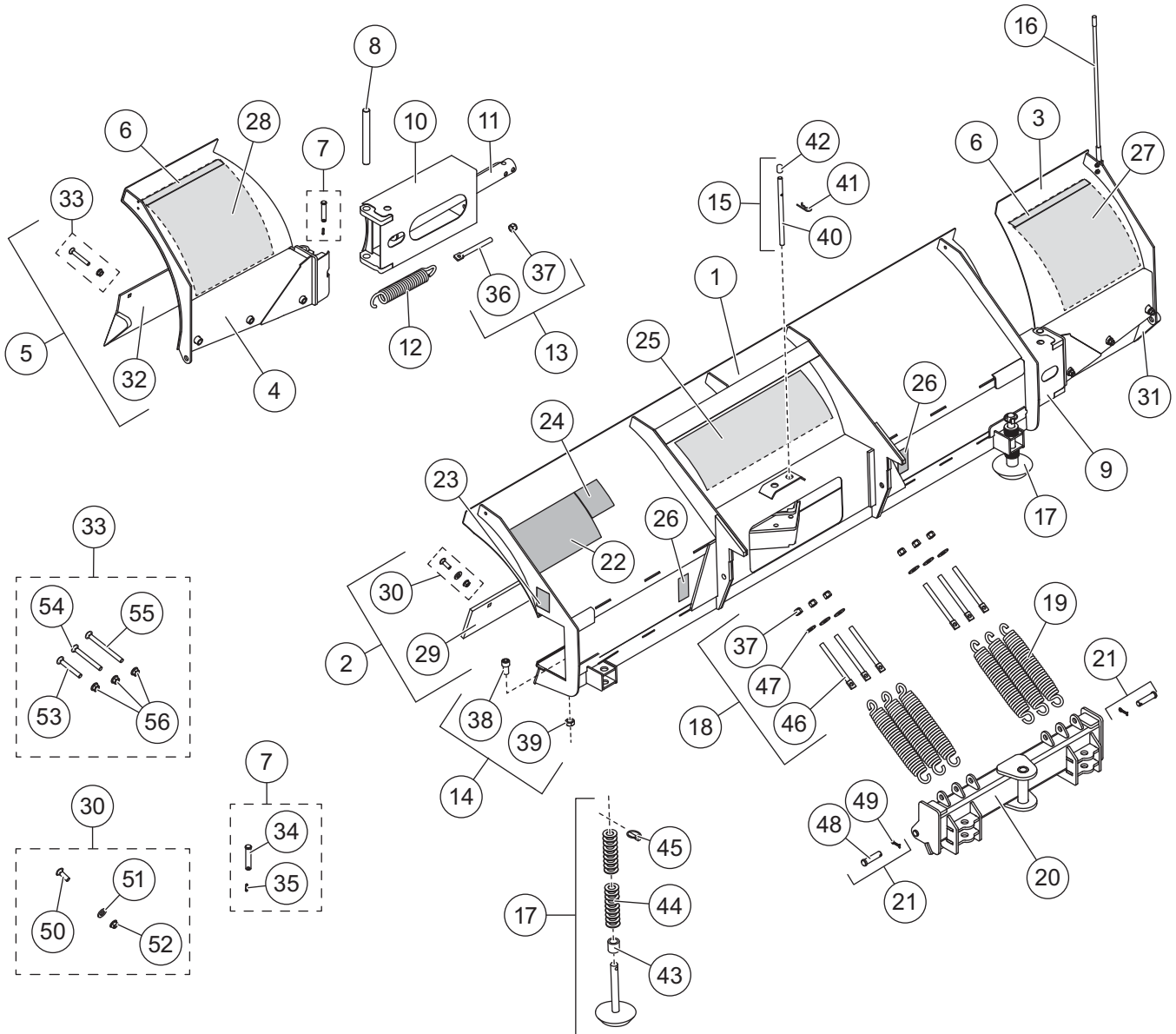
## 8100 POWER PLOW™ BLADE ASSEMBLY

77750 Blade Components							
Item	Part	Qty	Description	Item	Part	Qty	Description
1	84568	1	Moldboard	16	84525	1	24" Poly Blade Guide Kit (set of 2)
ns	84784	1	Service Moldboard Assembly (items 1–17, 22–28)	ns*	84477	1	36" Poly Blade Guide Kit (set of 2)
2	B52067	1	Moldboard Cutting Edge Kit	17	49071	2	Disc Shoe Assembly
3	84655	1	Blade Wing PP 8100 – PS	18	41132	4	5/8-11 x 7-3/8 Eyebolt Kit
4	84654	1	Blade Wing PP 8100 – DS	19	23039	4	Trip Spring
5	B51104	1	Wing Cutting Edge Kit – DS & PS	20	84578	1	Quadrant 8100 PP
6	50639	2	Wear Strip – Wing Top	21	41123	2	Quadrant Pin Kit
7	84683	2	Wing Pin Kit	22	52203	1	Label – Attach/Detach, Automatixx®
8	B55042	2	Wing Pivot Pin	23	29593	4	Label – Warning, Multiple Pinch Points
9	84659	1	Slide Box – PS	24	59900	1	Label – Warning/Caution, Snowplows
10	84658	1	Slide Box – DS	25	77708	1	Label – Logo, POWER PLOW
11	43803	2	Ram Assembly 1-1/2 x 13-15/16 DA	26	29256	2	Label – Warning, Foot Crush Hazard
ns	43794	2	Seal Kit, Ram Assembly 43803	ns	84644	1	Blade Label Kit, 8100 POWER PLOW (items 22–26)
12	B61167	2	3/8 x 2-5/8 x 12-1/2 Extension Spring	27	77709	1	Wing Label – PS
13	84661	2	Slide Box Eyebolt Kit	28	77711	1	Wing Label – DS
14	84662	2	Slide Box Bolt Kit	ns	77729	1	Wing Labels Kit 8100 (items 27 & 28)
15	84663	2	Slide Box Pin Kit	ns*	84519	1	Rubber Snow Deflector w/Hardware
<b>Item 2</b>							
<b>B52067 Moldboard Cutting Edge Kit</b>							
29		1	1/2 Moldboard Cutting Edge	30	B61255	1	Cutting Edge Bolt Kit
<b>Item 5</b>							
<b>B51104 Wing Cutting Edge Kit – DS &amp; PS</b>							
31	B51047	1	Wing Cutting Edge – PS	33	B61431	1	POWER PLOW Wing Cutting Edge Bolt Kit
32	B51048	1	Wing Cutting Edge – DS				
<b>Item 7</b>							
<b>84683 Wing Pin Kit</b>							
34		1	5/8 x 3 Clevis Pin	35		1	1/4 x 1-1/2 Cotter Pin
<b>Item 13</b>							
<b>84661 Slide Box Eyebolt Kit</b>							
36		1	5/8-11 x 4-3/8 Spade Bolt	37		1	5/8-11 Hex Locknut GB
<b>Item 14</b>							
<b>84662 Slide Box Bolt Kit</b>							
38		1	3/4-10 x 1-1/2 Socket Head Cap Screw	39		1	3/4-10 Hex Locknut G8
<b>Item 15</b>							
<b>84663 Slide Box Pin Kit</b>							
40		1	Slide Box Extend/Retract Pin	42		1	5/8 ID x 3/4 OD x 1 Black Vinyl Cap
41		1	1/8 x 2-5/8 Hairpin Cotter				
<b>Item 17</b>							
<b>49071 Disc Shoe Assembly</b>							
43	60045	1	1-1/8 ID x 1-5/8 OD x 1-1/2 Spacer	45	93010	1	7/16 x 1-3/4 Linchpin
44	91192	24	1" Flat Washer Special				
<b>Item 18</b>							
<b>41132 5/8-11 x 7-3/8 Eyebolt Kit</b>							
37		1	5/8-11 Hex Locknut GB	47		1	5/8 Hardened Flat Washer
46		1	5/8-11 x 7-3/8 Spade Bolt GZ				
<b>Item 21</b>							
<b>41123 Quadrant Pin Kit</b>							
48		1	3/4 x 3 Clevis Pin G8	49		1	1/4 x 1-1/2 Cotter Pin
<b>Item 30</b>							
<b>B61255 Cutting Edge Bolt Kit</b>							
50		7	1/2-13 x 1-3/4 Carriage Bolt G8	52		7	1/2-13 Hex Locknut GB
51		7	1/2 Hardened Flat Washer				
<b>Item 33</b>							
<b>B61431 POWER PLOW Wing Cutting Edge Bolt Kit</b>							
53		2	1/2-13 x 3-1/2 Carriage Bolt G8	55		2	1/2-13 x 5-3/4 Carriage Bolt G8
54		2	1/2-13 x 4-1/2 Carriage Bolt G8	56		6	1/2-13 Flanged Locknut
ns = not shown							
G = Grade							

\* Accessory only.

# 8611 POWER PLOW™ BLADE ASSEMBLY

## 8611 Blade Components



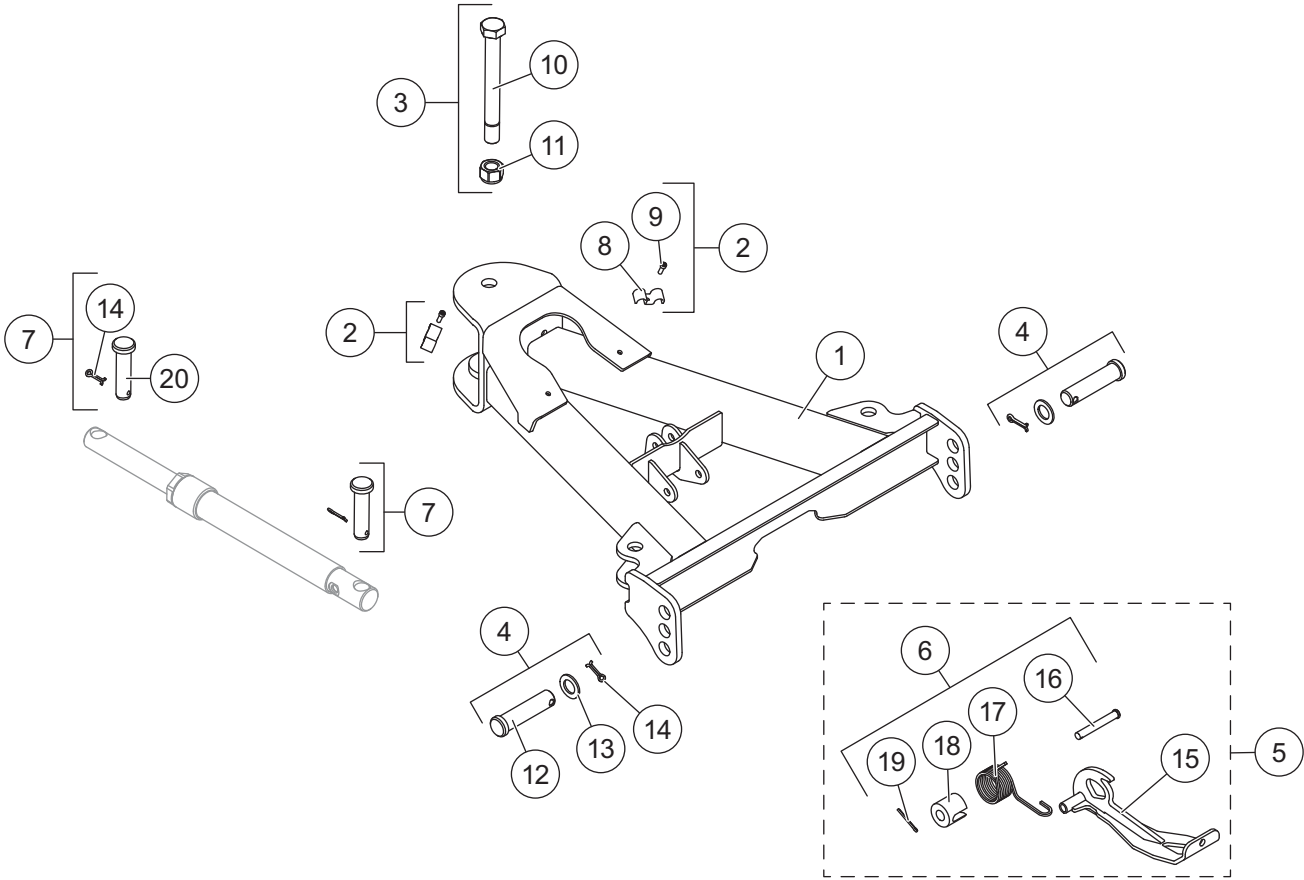
## 8611 POWER PLOW™ BLADE ASSEMBLY

<b>77755 Blade Components</b>							
Item	Part	Qty	Description	Item	Part	Qty	Description
1	84569	1	Moldboard	16	84525	1	24" Poly Blade Guide Kit (set of 2)
ns	84809	1	Service Moldboard Assembly (items 1–17, 22–28)	ns*	84477	1	36" Poly Blade Guide Kit (set of 2)
2	B52095	1	Moldboard Cutting Edge Kit	17	49071	2	Disc Shoe Assembly
3	84657	1	Blade Wing PP 8611 – PS	18	41132	6	5/8-11 x 7-3/8 Eyebolt Kit
4	84656	1	Blade Wing PP 8611 – DS	19	23039	6	Trip Spring
5	B61687	1	Wing Cutting Edge Kit – DS & PS	20	84579	1	Quadrant 8611 PP
6	50639	2	Wear Strip – Wing Top	21	41123	2	Quadrant Pin Kit
7	84683	2	Wing Pin Kit	22	52203	1	Label – Attach/Detach, Automatixx®
8	B55042	2	Wing Pivot Pin	23	29593	4	Label – Warning, Multiple Pinch Points
9	84659	1	Slide Box – PS	24	59900	1	Label – Warning/Caution, Snowplows
10	84658	1	Slide Box – DS	25	77708	1	Label – Logo, POWER PLOW
11	43802	2	Ram Assembly 1-3/4 x 18-7/16 DA	26	29256	2	Label – Warning, Foot Crush Hazard
ns	43793	2	Seal Kit, Ram Assembly 43802	ns	84645	1	Blade Label Kit, 8611 POWER PLOW (items 22–26)
12	B61167	2	3/8 x 2-5/8 x 12-1/2 Extension Spring	27	77713	1	Label – POWER PLOW Wing, PS
13	84661	2	Slide Box Eyebolt Kit	28	77712	1	Label – POWER PLOW Wing, DS
14	84662	2	Slide Box Bolt Kit	ns	77731	1	Wing Labels Kit 8611 (items 27 & 28)
15	84663	2	Slide Box Pin Kit	ns*	84520	1	Rubber Snow Deflector w/Hardware
<b>Item 2 B52095 Moldboard Cutting Edge Kit</b>							
29		1	1/2 Moldboard Cutting Edge	30	B61255	1	Cutting Edge Bolt Kit
<b>Item 5 B61687 Wing Cutting Edge Kit – DS &amp; PS</b>							
31	B55007	1	Wing Cutting Edge – PS	33	B61431	1	POWER PLOW Wing Cutting Edge Bolt Kit
32	B55006	1	Wing Cutting Edge – DS				
<b>Item 7 84683 Wing Pin Kit</b>							
34		1	5/8 x 3 Clevis Pin	35		1	1/4 x 1-1/2 Cotter Pin
<b>Item 13 84661 Slide Box Eyebolt Kit</b>							
36		1	5/8-11 x 4-3/8 Spade Bolt	37		1	5/8-11 Hex Locknut GB
<b>Item 14 84662 Slide Box Bolt Kit</b>							
38		1	3/4-10 x 1-1/2 Socket Head Cap Screw	39		1	3/4-10 Hex Locknut G8
<b>Item 15 84663 Slide Box Pin Kit</b>							
40		1	Slide Box Extend/Retract Pin	42		1	5/8 ID x 3/4 OD x 1 Black Vinyl Cap
41		1	1/8 x 2-5/8 Hairpin Cotter				
<b>Item 17 49071 Disc Shoe Assembly</b>							
43	60045	1	1-1/8 ID x 1-5/8 OD x 1-1/2 Spacer	45	93010	1	7/16 x 1-3/4 Linchpin
44	91192	24	1" Flat Washer Special				
<b>Item 18 41132 5/8-11 x 7-3/8 Eyebolt Kit</b>							
37		1	5/8-11 Hex Locknut GB	47		1	5/8 Hardened Flat Washer
46		1	5/8-11 x 7-3/8 Spade Bolt GZ				
<b>Item 21 41123 Quadrant Pin Kit</b>							
48		1	3/4 x 3 Clevis Pin G8	49		1	1/4 x 1-1/2 Cotter Pin
<b>Item 30 B61255 Cutting Edge Bolt Kit</b>							
50		7	1/2-13 x 1-3/4 Carriage Bolt G8	52		7	1/2-13 Hex Locknut GB
51		7	1/2 Hardened Flat Washer				
<b>Item 33 B61431 POWER PLOW Wing Cutting Edge Bolt Kit</b>							
53		2	1/2-13 x 3-1/2 Carriage Bolt G8	55		2	1/2-13 x 5-3/4 Carriage Bolt G8
54		2	1/2-13 x 4-1/2 Carriage Bolt G8	56		6	1/2-13 Flanged Locknut
ns = not shown				G = Grade			

\* Accessory only.

# A-FRAME ASSEMBLY

## A-Frame Components



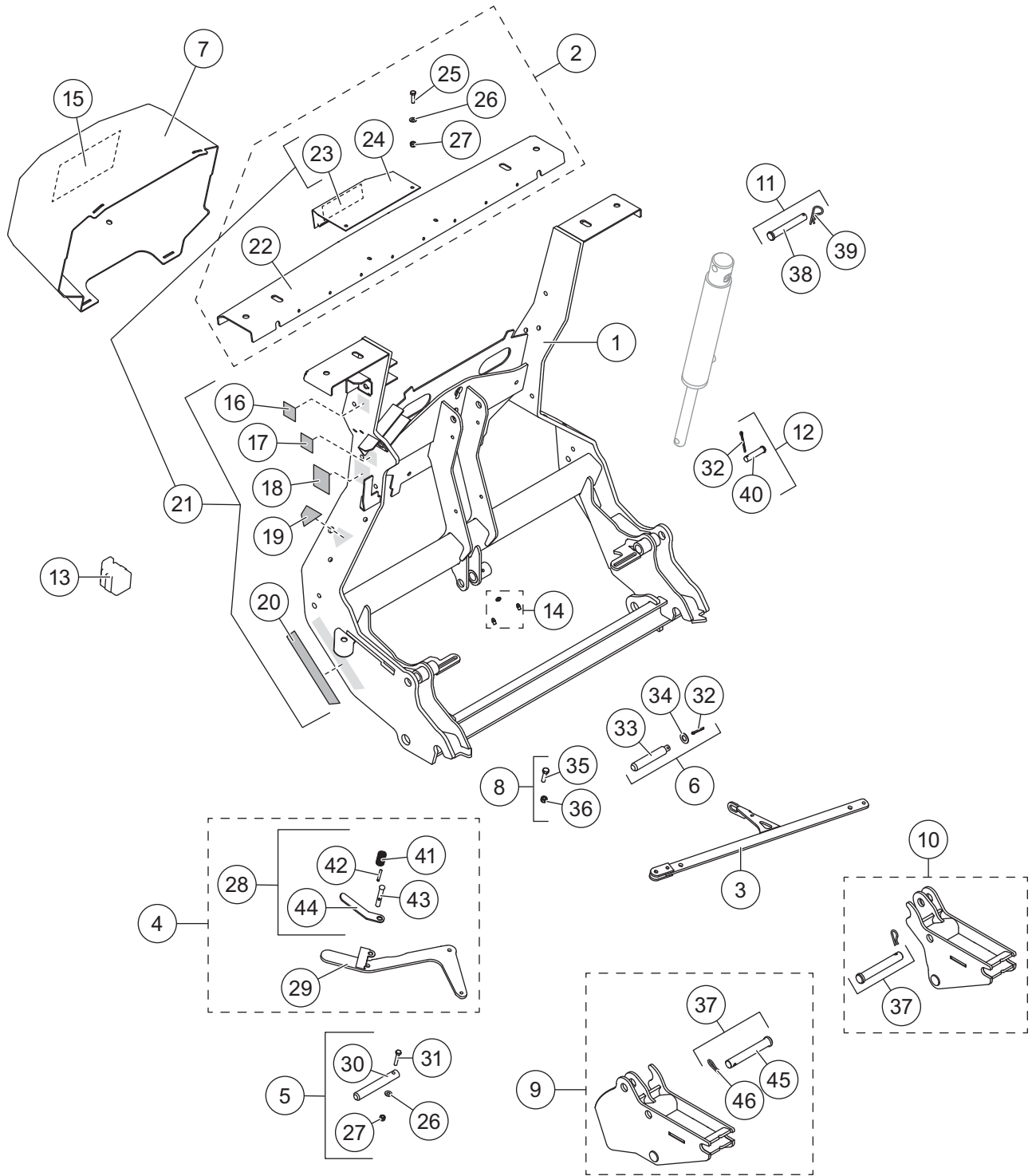


# A-FRAME ASSEMBLY

A-Frame Components								
Item	Part	Qty	Description	Item	Part	Qty	Description	
1	84591	1	A-Frame	5	84593	1	Stand Kit	
2	49479-1	2	Hose Bracket Kit	6	84615	1	Stand Hardware Kit	
3	49768	1	Pivot Bolt Kit	7	57968	4	1 x 4 Clevis Pin Kit	
4	84623	2	A-Frame Pin Kit					
<b>Item 2</b>				<b>49479-1 Hose Bracket Kit</b>				
	8	1	Hose Bracket	9		1	1/4-20 x 1-1/4 Socket Head Cap Screw	
<b>Item 3</b>				<b>49768 Pivot Bolt Kit</b>				
	10	1	1-8 x 9 Hex Cap Screw Special G5	11		1	1-8 Hex Locknut GB	
<b>Item 4</b>				<b>84623 A-Frame Pin Kit</b>				
	12	1	1 x 4-3/4 Clevis Pin	14		1	1/4 x 1-1/2 Cotter Pin	
	13	1	1" Flat Washer Special					
<b>Item 5</b>				<b>84593 Stand Kit</b>				
	6	84615	1	Stand Hardware Kit	15		1	Stand
<b>Item 6</b>				<b>84615 Stand Hardware Kit</b>				
	16	1	1/2 x 3-11/16 Clevis Pin	18		1	Stand Spring Spacer	
	17	1	Stand Torsion Spring	19		1	5/32 x 1-1/2 Cotter Pin	
<b>Item 7</b>				<b>57968 1 x 4 Clevis Pin Kit</b>				
	14	1	1/4 x 1-1/2 Cotter Pin	20		1	1 x 4 Clevis Pin	
G = Grade								

# HEADGEAR ASSEMBLY

## Headgear Components



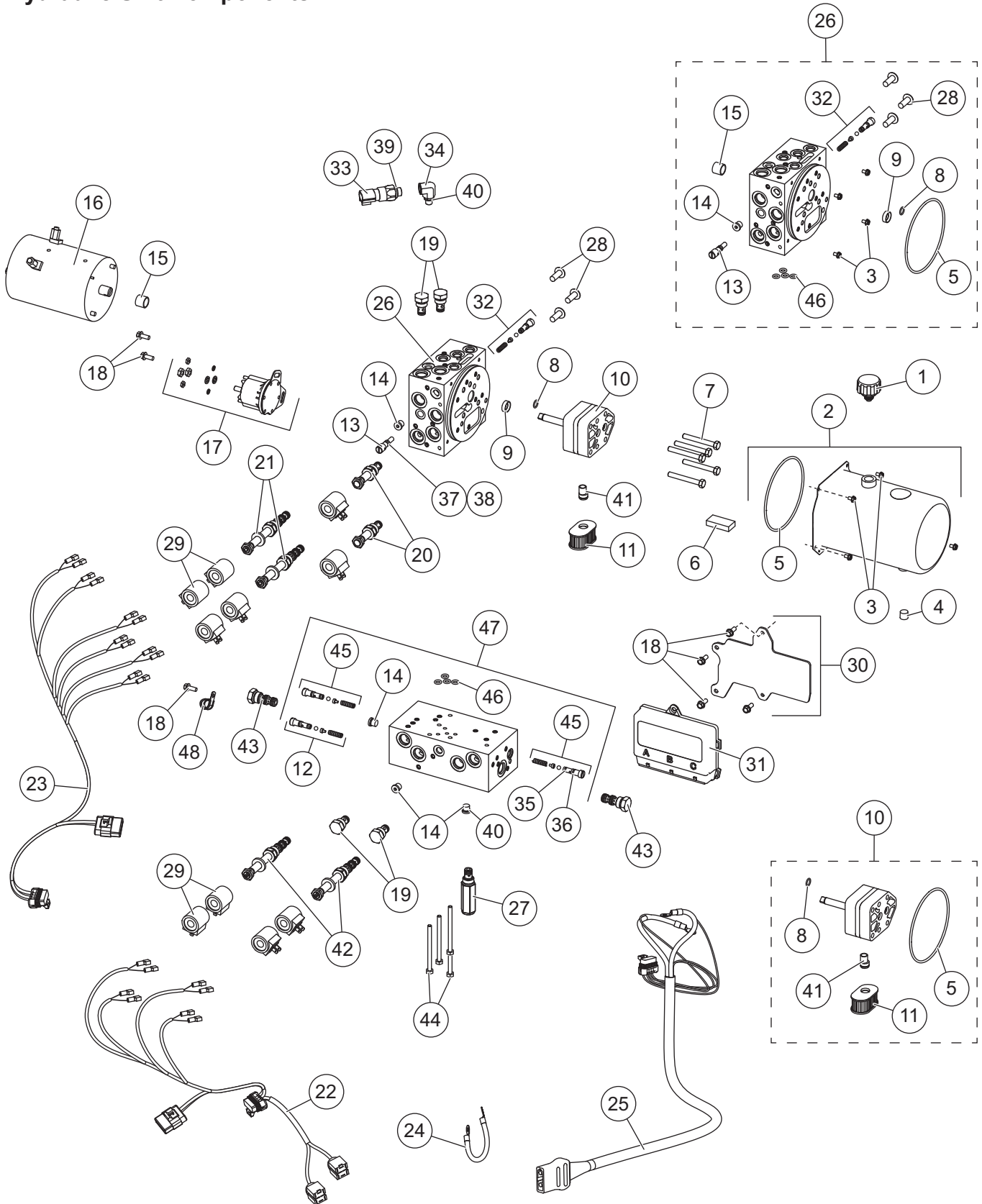
# HEADGEAR ASSEMBLY

Headgear Components							
Item	Part	Qty	Description	Item	Part	Qty	Description
1	84622	1	Headgear (incl. item 14)	11	84632	1	Lift Ram Base Pin Kit
2	84624	1	Light Bar Channel	12	84627	1	Lift Ram Rod Pin Kit
3	84599	1	Link Arm	13	61246	1	Cable Boot
4	84595	1	Attach Handle Kit	14	84616	1	Grease Zerk (pkg of 3)
5	84603	2	Attach Pin Kit	15	43860	1	Label – Information, Hydraulic – PP
6	84601	1	Link Arm Jack Stand Pin Kit	16	52206	1	Label – Power Switch, Automatixx®
7	84651	1	Hydraulic Cover – PP (incl. item 15)	17	52207	1	Label – Operation Switch, Automatixx
8	84635	1	Link Arm/Attach Handle Fastener Kit	18	69689	1	Label – Logo, SECURITY GUARD™
9	84608	1	Receiver Kit – DS (incl. item 37)	19	77717	1	Label – Automatixx, Upper
ns	85121*	1	Receiver Kit, Tall – DS	20	77719	1	Label – Automatixx, Lower
10	84609	1	Receiver Kit – PS (incl. item 37)	21	84647	1	Headgear Label Kit
ns	85122*	1	Receiver Kit, Tall – PS				
<b>Item 2</b>				<b>84624 Light Bar Channel</b>			
22		1	Light Bar	25		2	1/4-20 x 1 Hex Cap Screw G5
23	77727	1	Label – Logo, SnowEx® Light Bar	26		2	1/4 Flat Washer
24		1	Light Bar Top Plate, Center	27		2	1/4-20 Hex Locknut GB
<b>Item 4</b>				<b>84595 Attach Handle Kit</b>			
28	84596	1	Attach Handle Release Cam Kit	29	84779	1	Handle
<b>Item 5</b>				<b>84603 Attach Pin Kit</b>			
26		1	1/4 Flat Washer	30		1	Hitch Pin
27		1	1/4-20 Hex Locknut GB	31		1	1/4-20 x 1-1/2 Hex Cap Screw SS
<b>Item 6</b>				<b>84601 Link Arm Jack Stand Pin Kit</b>			
32		1	5/32 x 1-1/2 Cotter Pin	34		1	1/2 Flat Washer Type B Narrow SS
33		1	Stand Actuator Pin				
<b>Item 8</b>				<b>84635 Link Arm/Attach Handle Fastener Kit</b>			
35		1	5/16-18 x 1-1/4 Hex Cap Screw G5	36		1	5/16-18 Hex Locknut GB
<b>Item 9</b>				<b>84608 Receiver Kit – DS (shown) / 85121* Receiver Kit Tall – DS (not shown)</b>			
		1	DS Receiver	37	84611	1	Receiver Pin Kit
<b>Item 10</b>				<b>84609 Receiver Kit – PS (shown) / 85122* Receiver Kit Tall – PS (not shown)</b>			
		1	PS Receiver	37	84611	1	Receiver Pin Kit
<b>Item 11</b>				<b>84632 Lift Ram Base Pin Kit</b>			
38		1	5/8 x 4-1/4 Clevis Pin	39		1	1/8 Hairpin Cotter
<b>Item 12</b>				<b>84627 Lift Ram Rod Pin Kit</b>			
32		1	5/32 x 1-1/2 Cotter Pin	40		1	1/2 x 2-1/8 Clevis Pin HT
<b>Item 21</b>				<b>84647 Headgear Label Kit</b>			
16	52206	1	Label – Power Switch, Automatixx	19	77717	1	Label – Automatixx, Upper
17	52207	1	Label – Operation Switch, Automatixx	20	77719	1	Label – Automatixx, Lower
18	69689	1	Label – Logo, SECURITY GUARD	23	77727	1	Label – Logo, SnowEx® Light Bar
<b>Item 28</b>				<b>84596 Attach Handle Release Cam Kit</b>			
41		1	Stand Lock Pin Spring	43		1	Handle Lock Pin
42		1	3/16 x 1-3/8 Roll Pin SS	44		1	Handle Lock Pin Lever
<b>Item 37</b>				<b>84611 Receiver Pin Kit</b>			
45	95739	1	3/4 x 5 Clevis Pin HT	46	42142	1	R-Pin Cotter
ns = not shown		SS = Stainless Steel		HT = Heat Treated		G = Grade	

\* Refer to the POWER PLOW™ Snowplow Installation Instructions to confirm when tall receivers are required.

# HYDRAULIC AND ELECTRICAL COMPONENTS

## Hydraulic Unit Components



# HYDRAULIC AND ELECTRICAL COMPONENTS

<b>52647 Hydraulic Unit</b>							
<b>Item</b>	<b>Part</b>	<b>Qty</b>	<b>Description</b>	<b>Item</b>	<b>Part</b>	<b>Qty</b>	<b>Description</b>
1	48278	1	Breather	26	52259	1	Manifold Assembly w/o Valves PP
2	49486	1	Reservoir Kit	27	42889	1	Relief Valve 4000 psi
3	66607	4	#10-24 x 5/16 Machine Screw	28	98043	3	3/8-16 x 1 Button Cap Screw
4	92095	1	Plug, Hex Socket 1/4 NPTF	29	52294	10	Coil
5	66519	1	O-Ring 2-250	30	52293	1	Module Plate
6	73897	1	Magnet	31	52292-1	1	Module – Plow Control
7	90080	5	5/16-18 x 2-1/2 Hex Cap Screw G5	32	52284	1	Relief Valve (1 set)
8	56274	1	O-Ring -013	33	52296	1	Pressure Switch (incl. item 39)
9*	66515	1	Pump Shaft Seal	34	52295	1	Elbow, 90° –4 M ORB/–6 F ORB (incl. item 40)
ns	52252	1	Seal Repair Tool Kit w/Seal				
10	49487	1	Hydraulic Pump Kit	35	55371	4	O-Ring -008
11	48281	1	Filter	36	25731	4	O-Ring -010
12	52282	1	Relief Valve (1 set)	37	48239	1	O-Ring -106
13	48517	1	Quill (includes items 37 & 38)	38	48240	1	Back-Up O-Ring -106
14	44344	4	Plug, Hex Socket –4 M ORB	39	56569	1	O-Ring -906
15†	56364	1	Bearing Sleeve	40	44343	5	O-Ring -904
ns	52251	1	Bearing Repair Tool Kit w/Bearing	41	10887	1	Fitting, Hydraulic Pump Inlet
16	52281	1	Motor	42	52286	2	Valve 4-Way 3-Pos. w/Nut & Spacer
17	52290	1	Motor Relay Kit, FLEET FLEX System	43	49488	2	Valve 3-Way PO Check
18	44355	7	1/4-20 x 5/8 Hex Washer-Head Thread-Rolling Screw	44	90696	4	1/4-20 x 3-1/2 Hex Cap Screw G5
19	84934	2	Check Valve	45	52283	1	Relief Valve (2 sets)
20	84936	2	Valve, 2-Way NC w/Rev Flow	46	43818	4	O-Ring -109
21	52285	1	Valve, 4-Way, 3-Position, Closed Ctr	47	52261	1	Secondary Manifold Assy w/o Valves
22	52108	1	Plow Control Harness, 4-Coil	48	65340	1	Clamp Loop #10
23	52079	1	Plow Control Harness, 6-Coil	49	84937	1	Valve, 4-Way, 3-Position
24	29071	1	Cable Assembly, 8" – Red	50	48287	2	Check Valve
25	52291	1	Plow Battery Cable	ns		3	Fuse, 5A Mini Automotive-Style (for items 22 & 23)
<b>Item 2</b>				<b>49486 Reservoir Kit</b>			
3	66607	4	#10-24 x 5/16 Machine Screw	5	66519	1	O-Ring 2-250
4	92095	1	Plug, Hex Socket 1/4 NPTF				
<b>Item 10</b>				<b>49487 Hydraulic Pump Kit</b>			
5	66519	1	O-Ring 2-250	41	10887	1	Fitting, Hydraulic Pump Inlet
8	56274	1	O-Ring -013	ns		1	Alignment Ring
11	48281	1	Filter	ns		1	Pump Shaft Tool
<b>Item 26</b>				<b>52259 Manifold Assembly w/o Valves PP</b>			
3	66607	4	#10-24 x 5/16 Machine Screw	14	44344	1	Plug, Hex Socket –4 M ORB
5	66519	1	O-Ring 2-250	15	56364	1	Bearing Sleeve
8	56274	1	O-Ring -013	28	98043	3	3/8-16 x 1 Button Cap Screw
9	66515	1	Pump Shaft Seal	32	52284	1	Relief Valve (1 set)
13	48517	1	Quill	46	43818	4	O-Ring -109
<b>Item 47</b>				<b>52261 Secondary Manifold Assembly w/o Valves</b>			
12	52282	1	Relief Valve (1 set)	45	52283	1	Relief Valve (2 sets)
14	44344	3	Plug, Hex Socket –4 M ORB	46	43818	4	O-Ring -109
<b>O-Ring Service Kits</b>							
–	52298	–	O-Ring Kit	–	48310	–	Seal Kit, 2-Way Valves
–	48309	–	Seal Kit, 3-Way & 4-Way Valves				
ns = not shown		F = Female		M = Male		G = Grade	

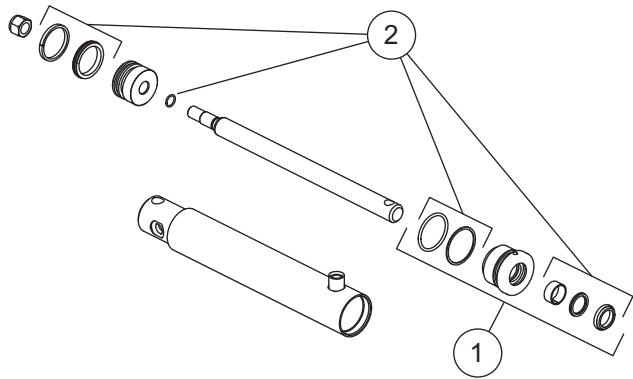
\* Use 52252 tool to install.

† Use 52251 tool to install.

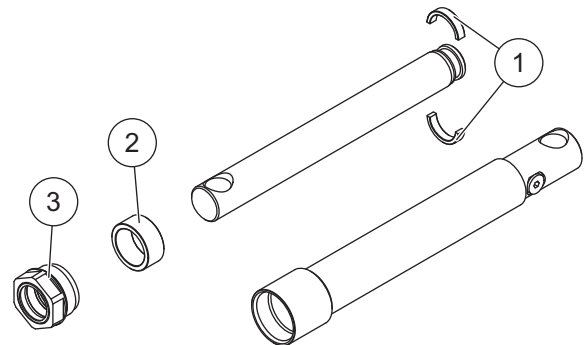
Go to [www.snowexproducts.com](http://www.snowexproducts.com) for hydraulic unit service information and specifications.

# HYDRAULIC AND ELECTRICAL COMPONENTS

## Lift and Angle Ram Components



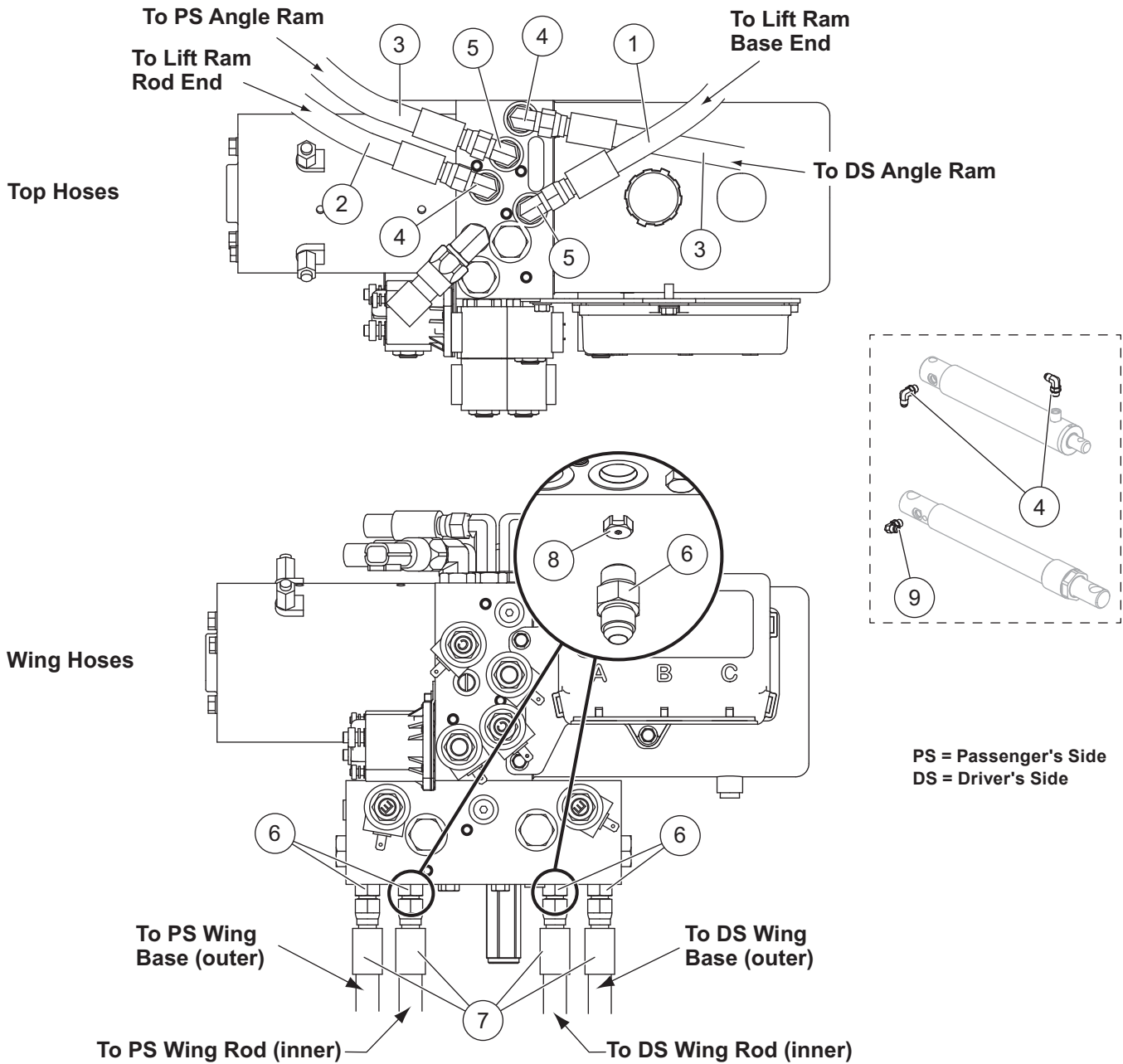
84420 Lift Ram Assembly 2 x 9-3/4 DA			
Item	Part	Qty	Description
1	49499	1	Gland Assembly 1"
2	48520	1	Seal Kit 2" DA Ram



84421 Angle Ram Assembly 1-1/2 x 12			
Item	Part	Qty	Description
1	57879	1	Split Bearing Kit
2	56537	1	Spacer
3	48985	1	Gland Nut Assembly

# HYDRAULIC AND ELECTRICAL COMPONENTS

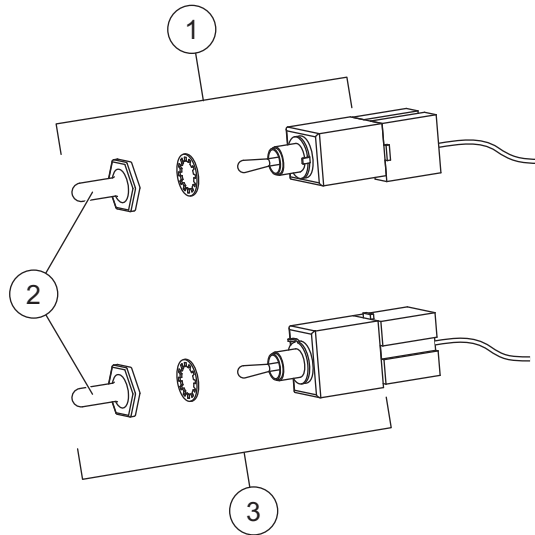
## Hoses and Fittings



Hoses and Fittings							
Item	Part	Qty	Description	Item	Part	Qty	Description
1	84446	1	Hose, 1/4 x 14 w/F JIC Ends	6	B60007	4	Connector, Short -6 M JIC/ -6 M ORB
2	84453	1	Hose, 1/4 x 20 w/F JIC Ends	7	52279	4	Hose, 3/8 x 45 w/F JIC ends
3	52304	2	Hose, 3/8 x 36 w/F JIC Ends	8	52297	2	Orifice Plate
4	40571	4	Elbow, 90° -6 M JIC/-6 M ORB	9	77929	1	Elbow, 90° -6 M JIC/-6 M ORB w/Screen
5	40572	2	Elbow, Extra Long 90° -6 M JIC/ -6 M ORB				
ns	56823	5	Hose Wrap				
			F = Female			ns = not shown	
						M = Male	

# HYDRAULIC AND ELECTRICAL COMPONENTS

## Electrical Components



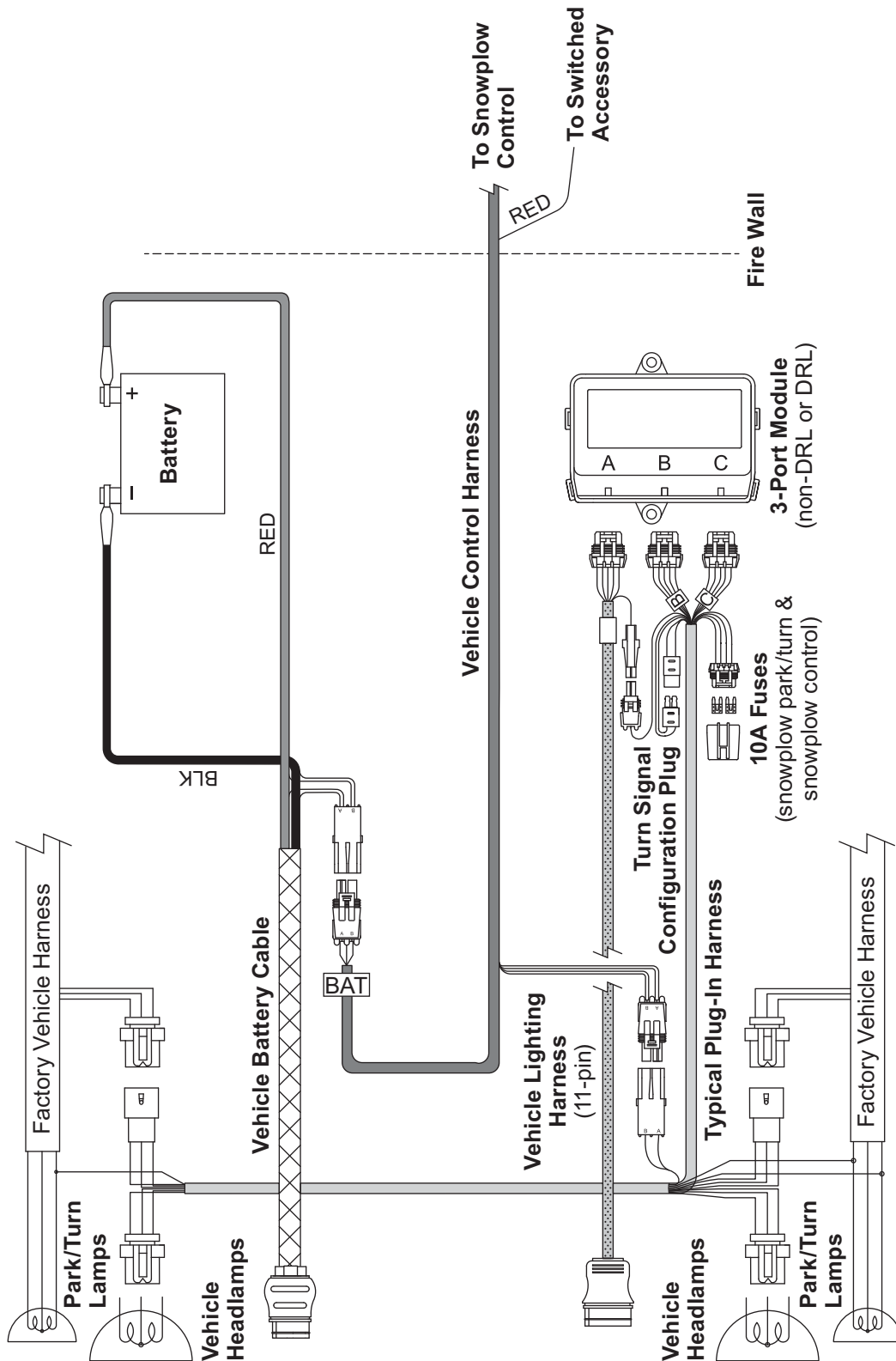
Plow-Side Electrical Components							
Item	Part	Qty	Description	Item	Part	Qty	Description
1	40575	1	Toggle Switch (MOM-ON, OFF, ON)	3	40576	1	Toggle Switch (MOM-ON, OFF, MOM-ON)
2	48259	2	Switch Boot				
Vehicle-Side Electrical Components							
*	72527	1	Vehicle Battery Cable	ns	48325	2	Plug Cover
*	28587	1	Vehicle Control Harness				
ns = not shown							

\* For diagram see Vehicle-Side Harness Diagram.



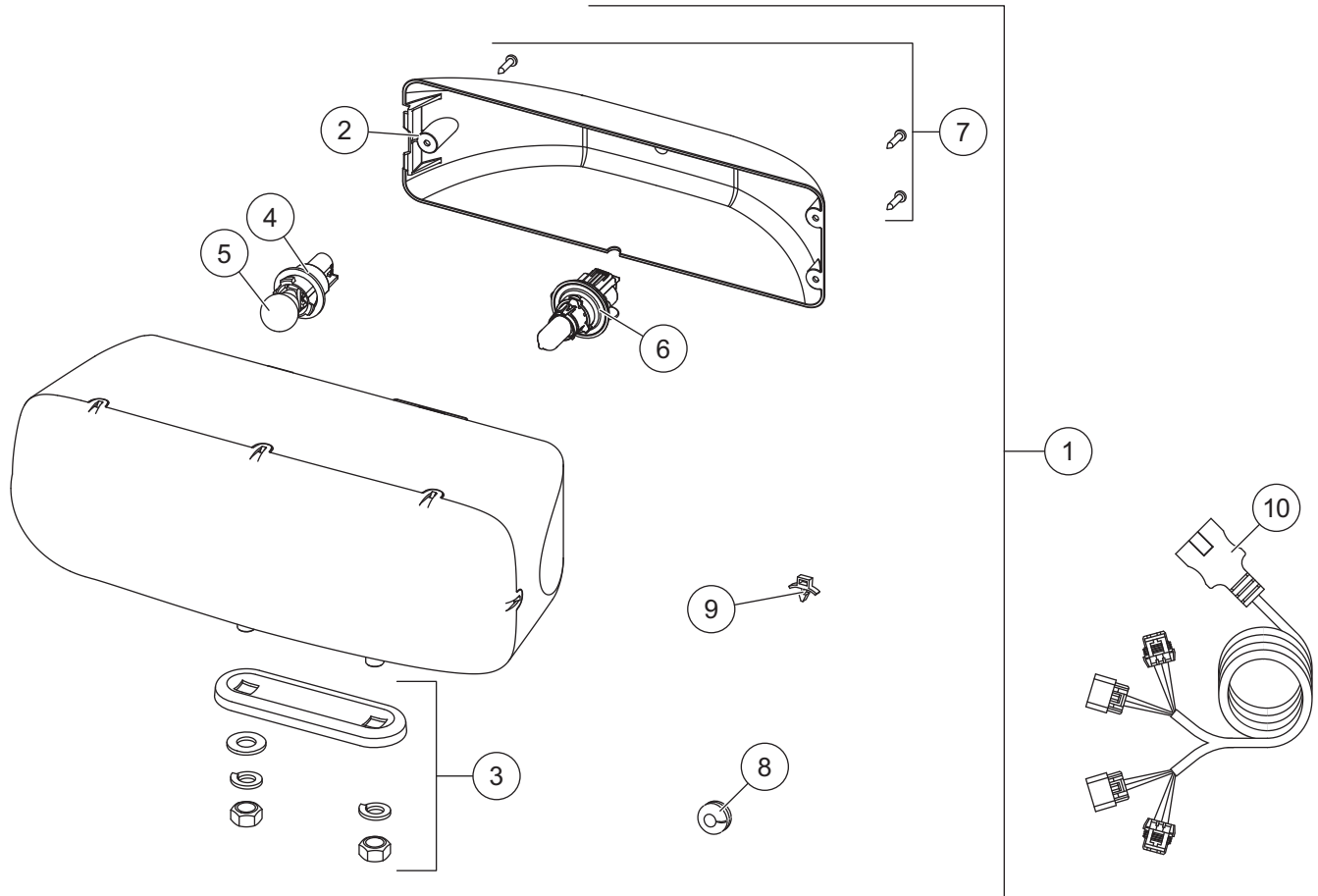
# VEHICLE-SIDE HARNESS DIAGRAM

## Vehicle-Side Harness Diagram



# HEADLAMPS

## Headlamp Components



28800-1 Headlamp Kit (Pair)							
Item	Part	Qty	Description	Item	Part	Qty	Description
1	28802-1	1	Headlamp Service Kit – PS	6	28806	2	Headlamp Bulb Service Kit H13
ns	28801-1	1	Headlamp Service Kit – DS	7	28808-1	2	Cover Screws Service Kit (3 screws)
2	28803-1	2	Rear Cover Kit (fits 2- or 3-screw)	8	66130	2	Rubber Grommet
3	28804	2	Mounting Hardware Kit	9	56595	8	Cable Tie Anchor
4	28805	2	Park/Turn Socket Service Kit	10	28213K	1	Harness Service Kit
5		2	Park/Turn Bulb (trade no. 4157NAK)				

ns = not shown





TrynEx International, LLC  
531 Ajax Drive  
Madison Heights, MI 48071-2429  
[www.snowexproducts.com](http://www.snowexproducts.com)

 A DIVISION OF DOUGLAS DYNAMICS, LLC

Copyright © 2021 Douglas Dynamics, LLC. All rights reserved. This material may not be reproduced or copied, in whole or in part, in any printed, mechanical, electronic, film, or other distribution and storage media, without the written consent of TrynEx International, LLC. Authorization to photocopy items for internal or personal use by TrynEx International outlets or snowplow owner is granted.

TrynEx International reserves the right under its product improvement policy to change construction or design details and furnish equipment when so altered without reference to illustrations or specifications used. TrynEx International or the vehicle manufacturer may require or recommend optional equipment for snow removal. Do not exceed vehicle ratings with a snowplow. TrynEx International offers a limited warranty for all snowplows and accessories. See separately printed page for this important information. The following are registered (®) or unregistered (™) trademarks of Douglas Dynamics, LLC: Automatix®, POWER PLOW™, SECURITY GUARD™, SnowEx®.

**Printed in U.S.A.**