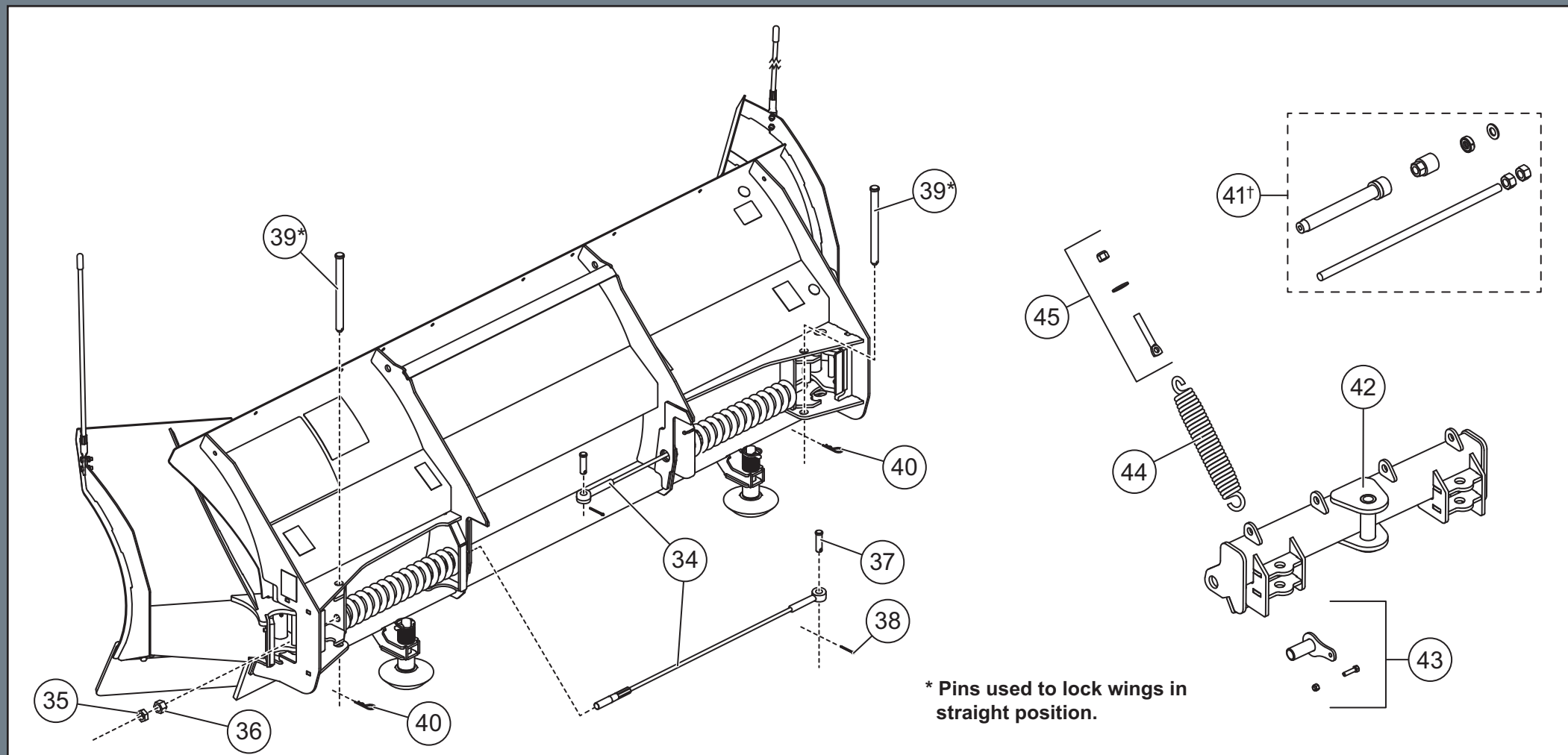


77740 BLADE COMPONENTS

Item	Part	Description	Item	Part	Description
1	84559	Moldboard (w/labels)	15	43528	Wear Strip – Wing Top
2	84462	Moldboard Cutting Edge Kit	16	42383	Wing Cutting Edge Kit (DS & PS)
3	41774	Bolt Bag – Moldboard Cutting Edge	17	84684	Wing Cutting Edge Hardware Kit
4	53595	Plow Shoe Assembly	18	84525	24" Blade Guides (set of 2)
5	B61614	Plug, Ø1.00 Finishing	ns*	84477	36" Poly Blade Guides (set of 2)
6	42725	Compression Spring	19*	84518	Deflector Kit
7	42392	Spring Guide – DS	20*	84461	Back Drag Edge
8	42393	Spring Guide – PS	21	52203	Label – Attach/Detach, Automatix®
9	42396	Hinge Pin Kit	22	59900	Label – Warning/Caution, Snowplows
10	42397	Spring Guide Pin Kit	23	77704	Label – Logo, Center Moldboard
11	42943	1/4 x 1 Coiled Spring Pin	24	29593	Label – Warning, Multiple Pinch Points
12	42395	Bumper Kit	25	29256	Label – Warning, Crush Hazard
13	84652	Wing – DS	ns	84643	Blade Label Kit, SPEEDWING™ (incl. items 21–25)
14	84653	Wing – PS	ns	77728	Label Kit, SPEEDWING Wings (both)
Item 4 53595 Plow Shoe Assembly					
26	53596	Disc Shoe	28	91192	Flat Washer, Special
27	60045	1-1/8 ID, 1-5/8 OD x 1-1/2 Spacer	29		7/16 x 1-3/4 Linchpin
Item 9 42396 Hinge Pin Kit					
30	42727	1 x 10-1/4 Hinge Pin	32		3/8-16 Hex Locknut GB
31		3/8-16 x 1-1/2 Hex Cap Screw G5			
77728 Label Kit, SPEEDWING Wings (both)					
33	77706	Label, SPEEDWING Blade – DS	ns	77707	Label, SPEEDWING Blade – PS

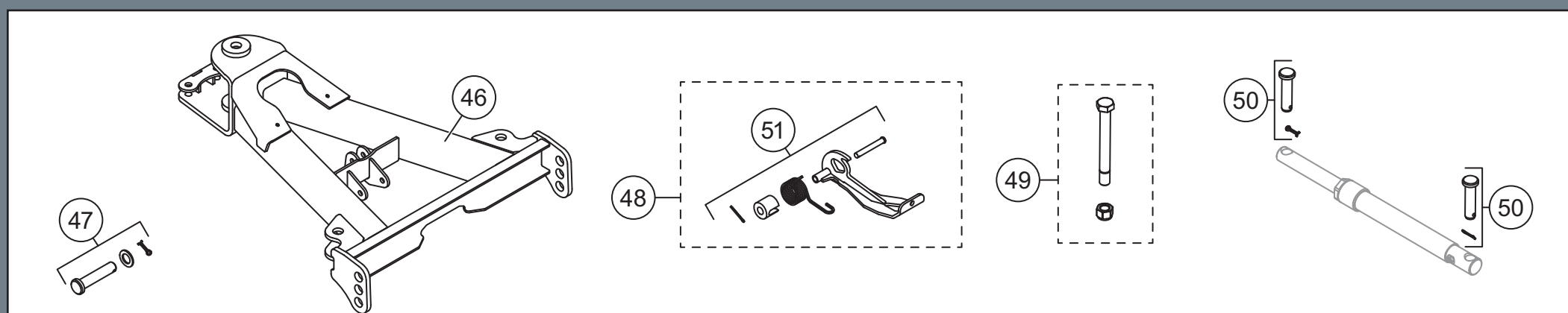
ns = not shown * Accessory only. G = Grade



BLADE COMPONENTS

Item	Part	Description	Item	Part	Description
34	42389	Cable Assembly w/Hardware (incl. items 35–38)	40	91962	1/8 Hairpin Cotter
35	B61615	3/4-10 Hex Jam Nut	41*	69780	Wing Spring Removal Tool
36	B61343	3/4-10 Hex Nut	42	84577	Quadrant
37	B61563	0.625 x 2.33 Clevis Pin	43	42388	Pivot Bushing Kit
38	90601	1/4 x 1-1/2 Cotter Pin	44	23039	Trip Spring
39	42738	3/4 x 9 Clevis Pin	45	83990	Trip Spring Eyebolt Kit

* Service Tool



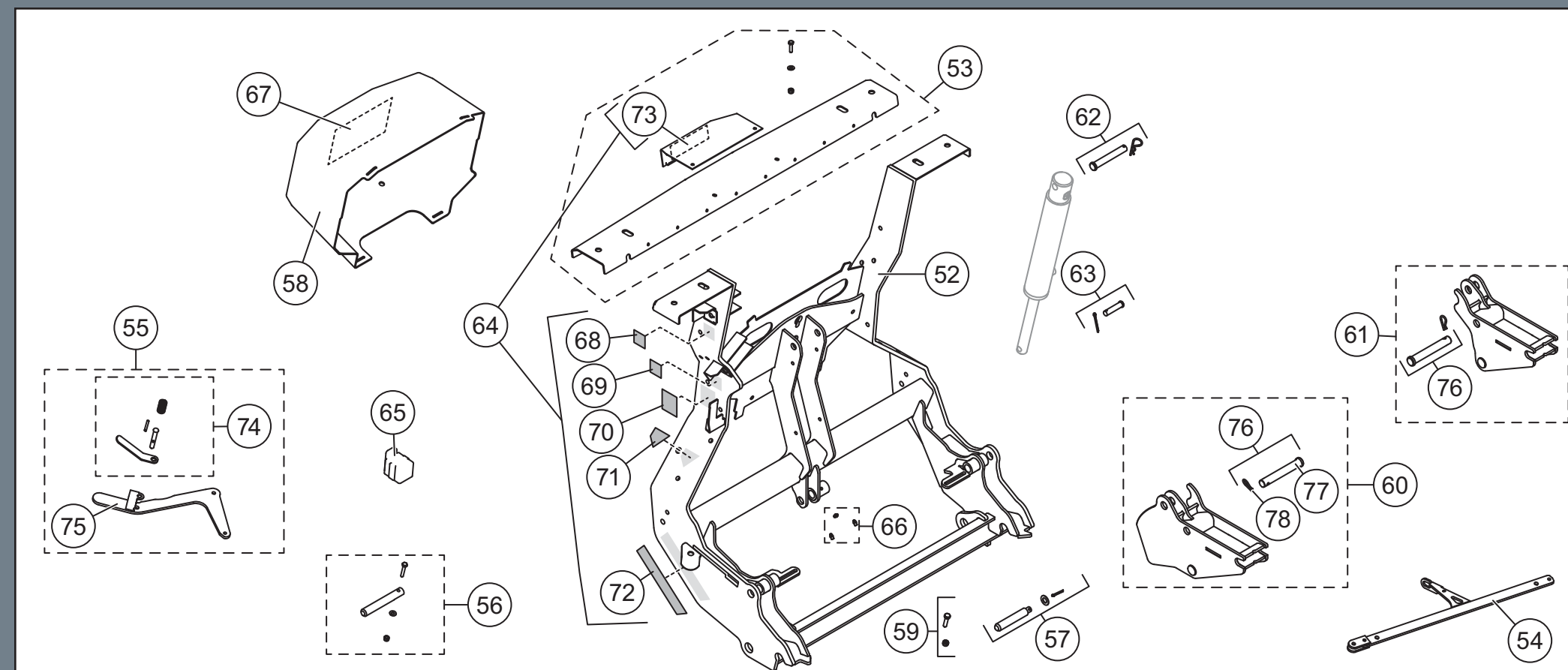
A-FRAME

Item	Part	Description	Item	Part	Description
46	84590	A-Frame	49	49768	Pivot Bolt Kit
47	84623	A-Frame Pin Kit	50	57968	1 x 4 Clevis Pin Kit
48	84593	Stand Kit	51	84615	Stand Hardware Kit



SPEEDWING™ Snowplow

Full parts list (Lit. No. 94120 and 52309) available at www.snowexproducts.com.

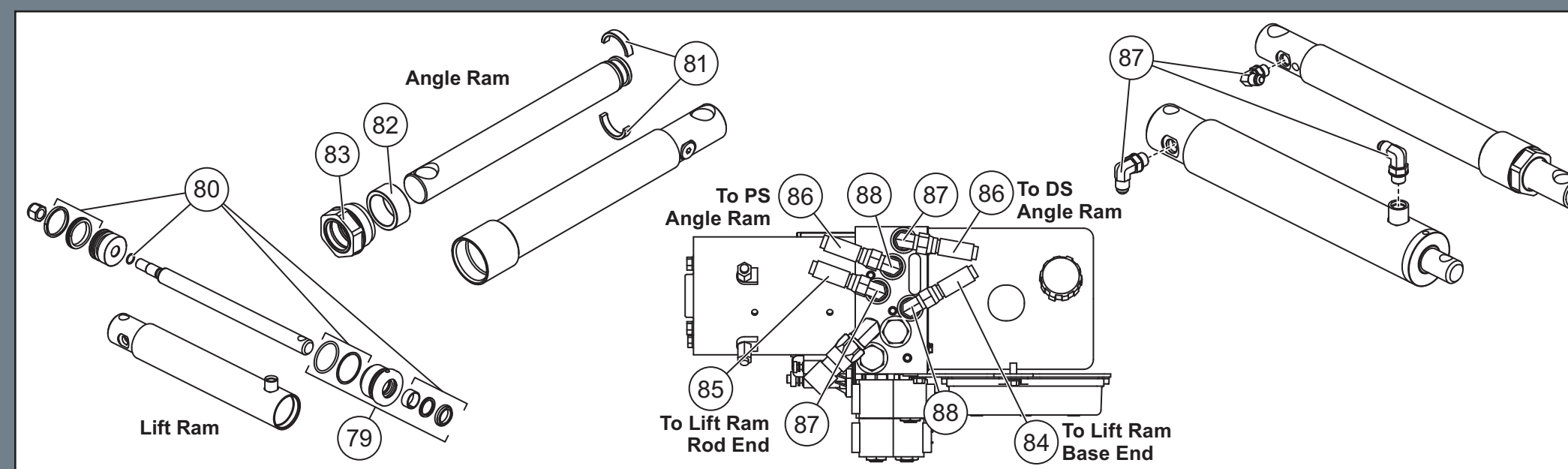


HEADGEAR COMPONENTS

Item	Part	Description	Item	Part	Description
52	84622	Headgear (incl. item 66)	62	84632	Lift Ram Base Pin Kit
53	84624	Light Bar Channel	63	84627	Lift Ram Rod Pin Kit
54	84599	Link Arm	64	84647	Headgear Label Kit
55	84595	Attach Handle Kit	65	61246	Cable Boot
56	84603	Attach Pin Kit	66	84616	Grease Zerk (pkg of 3)
57	84601	Link Arm Jack Stand Pin Kit	67	43861	Label – Hydraulic Information, SPEEDWING™
58	84650	Hydraulic Cover (incl. item 67)	68	52206	Label – Power Switch, Automatix®
59	84635	Link Arm/Attach Handle Fastener Kit	69	52207	Label – Operation Switch, Automatix
60	84608	Receiver Kit, DS (incl. item 76)	70	69689	Label – Logo, SECURITY GUARD™
ns	85121*	Receiver Kit, Tall – DS	71	77717	Label – Upper, Automatix
61	84609	Receiver Kit, PS (incl. item 76)	72	77719	Label – Lower, Automatix
ns	85122*	Receiver Kit, Tall – PS	73	77727	Label – Logo, SnowEx® Light Bar, Center
Item 55 84595 Attach Handle Kit					
74	84596	Attach Handle Release Cam Kit	75	84779	Handle
Item 76 84611 Receiver Pin Kit					
77	95739	3/4 x 5 Clevis Pin HT	78	42142	R-Pin Cotter

ns = not shown HT = Heat Treated

* Refer to the SPEEDWING Snowplow Installation Instructions to confirm when tall receivers are required.



HYDRAULIC COMPONENTS, HOSES & FITTINGS

Item	Part	Description	Item	Part	Description
79	49499	1" Gland Assembly	85	40570	Hose, 1/4 x 22 w/F JIC Ends
80	48520	Seal Kit 2" DA Ram	86	52304	Hose, 3/8 x 36 w/F JIC Ends
81	57879	Split Bearing Kit	87	56615-1	Elbow, 90° – 6 M JIC/–6 M ORB
82	56537	Spacer	88	40572	Elbow, Extra Long 90° – 6 M JIC/–6 M ORB
83	48985	Gland Nut Assembly	ns	56823	Hose Wrap
84	84446	Hose, 1/4 x 14 w/F JIC Ends			

F = Female ns = not shown M = Male

Copyright © 2020 Douglas Dynamics, LLC. All rights reserved. This material may not be reproduced or copied, in whole or in part, in any printed, mechanical, electronic, film, or other distribution and storage media, without the written consent of TrynEx International, LLC. Authorization to photocopy items for internal or personal use by TrynEx International outlets or snowplow owner is granted.

TrynEx International reserves the right under its product improvement policy to change construction or design details and furnish equipment when so altered without reference to illustrations or specifications used. TrynEx International or the vehicle manufacturer may require or recommend optional equipment for snow removal. Do not exceed vehicle ratings with a snowplow. TrynEx International offers a limited warranty for all snowplows and accessories. See separately printed page for this important information. The following are registered (®) or unregistered (™) trademarks of Douglas Dynamics, LLC: Automatix®, Scrape Maxx™, SECURITY GUARD™, SnowEx®, SPEEDWING™.

Lit. No. 73963, Rev. 03

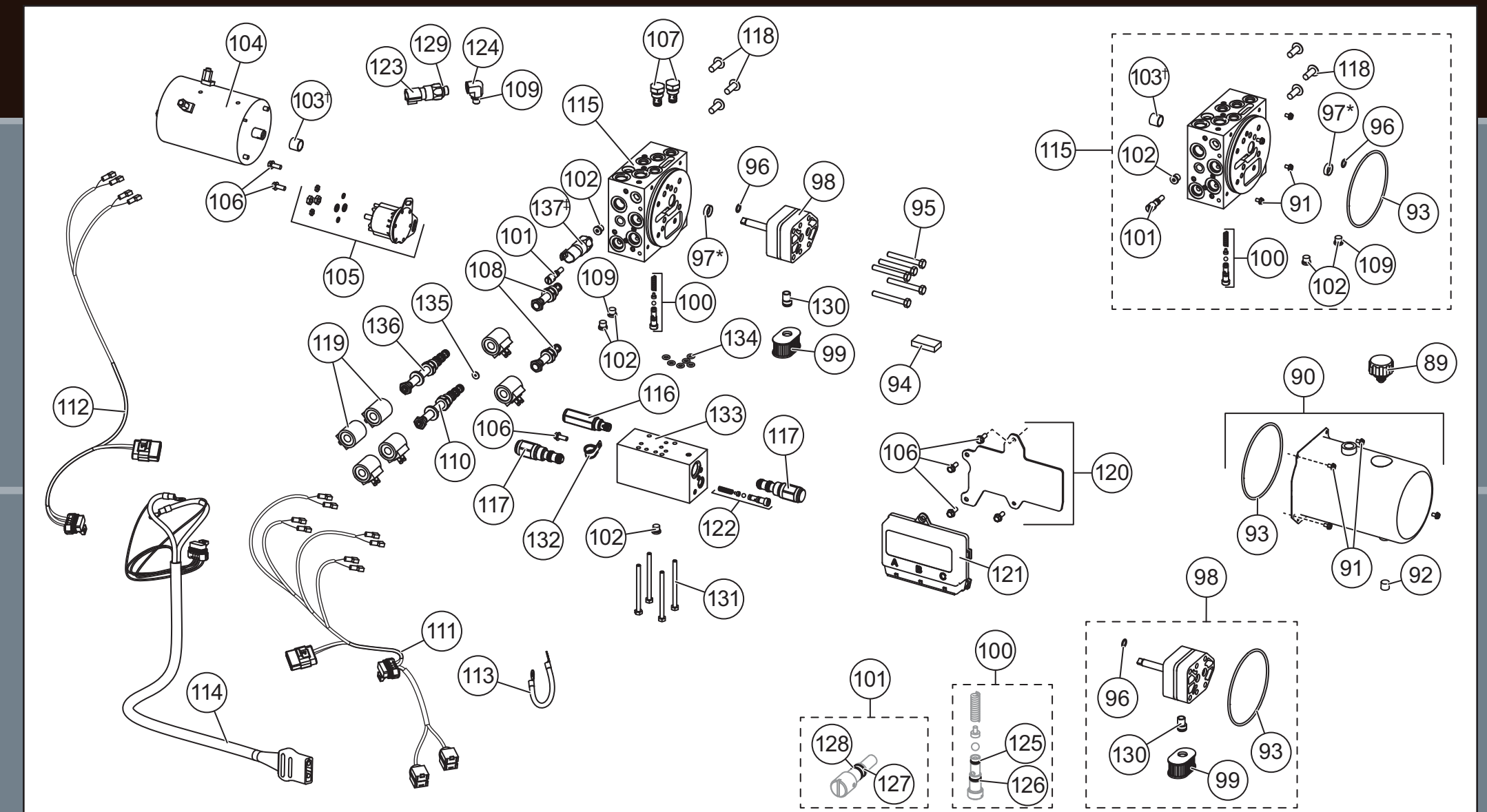
Printed in U.S.A.

October 15, 2020



TrynEx International, LLC
531 Ajax Drive
Madison Heights, MI 48071-2429

www.snowexproducts.com

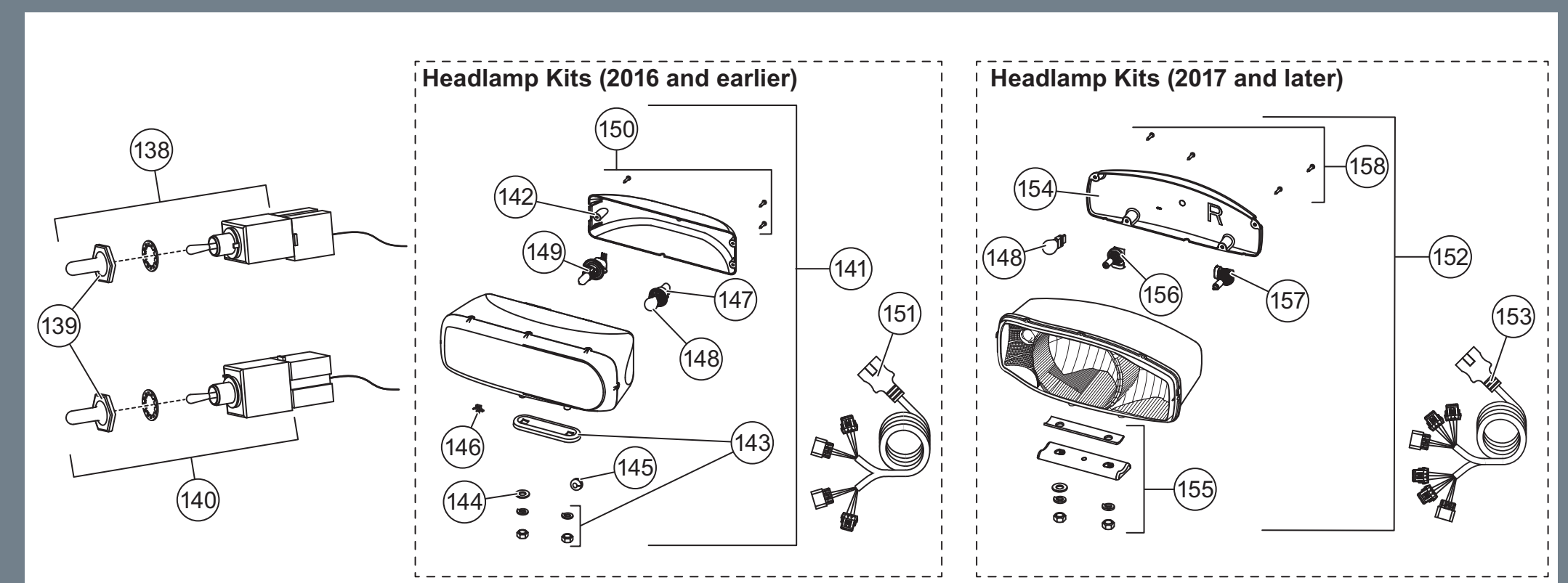


52648 HYDRAULIC UNIT

Item	Part	Description	Item	Part	Description
89	48278	Breather	113	29071	Vehicle Battery Cable 8"
90	52289	Reservoir Kit	114	52291	Snowplow Battery Cable
91	66607	#10-24 x 5/16 Machine Screw	115	52258	Manifold Assembly w/o Valves
92	92079	Plug, Square 3/8 NPTF	116	42889	Relief Valve 4000 psi
93	86519	O-Ring 2-250	117	42888	Counterbalance Valve 1400 psi
94	73897	Magnet	118	98043	3/8-16 x 1 Button Cap Screw
95	90073	5/16-18 x 2-1/4 Hex Cap Screw G5	119	52294	Coil
96	56274	O-Ring -013	120	52293	Plate, Module
97*	66515	Pump Shaft Seal	121	52292-1	Module, Plow Control
ns	52252	Seal Repair Tool Kit w/Seal	122	52284	Relief Valve (1 set)
98	52288	Hydraulic Pump Kit	123	52296	Pressure Switch
99	48281	Filter	124	52295	Elbow, 90° – 4 M ORB/–6 F ORB
100	52282	Relief Valve (1 set)	125	55371	O-Ring -008
101	48517	Quill	126	25731	O-Ring -010
102	44344	Plug, Hex Socket – 4 M ORB	127	48239	O-Ring -106
103*	56364	Bearing Sleeve	128	48240	Back-Up Ring -106
ns	52251	Bearing Repair Tool Kit w/Bearing	129	56569	O-Ring -906
104	52281	Motor	130	10887	Inlet Fitting
105	52290	Motor Relay Kit, FLEET FLEX	131	90696	1/4-20 x 3-1/2 Hex Cap Screw G5
106	44355	1/4-20 x 5/8 Hex Washer-Head Thread-Rolling Screw	132	65340	Clamp Loop #10
107	84934	Check Valve	133	52262	Secondary Manifold Assembly w/o Valves
108	84936	Valve, 2-Way NC w/Rev Flow	134	43818	O-Ring -109
109	44343	O-Ring -904	135	52541	Orifice Disc 0.060
110	52285	Valve, 4-Way, 3-Position Closed Center	136	84937	Valve, 4-Way, 3-Position
111	70448	Flow Control Harness, 4-Coil	ns		Fuse, 5A Mini Automotive Blade-Style (for items 111 & 112)
112	52077	Flow Control Harness, 2-Coil	137*	84584	Scrape Maxx™ Kit
O-Ring Service Kits					
-	52298-2	O-Ring Kit	-	48310	Seal Kit, 2-Way Valves
-	48309	Seal Kit, 3-Way & 4-Way Valves	-	52303	Seal Kit, 3-Way Valves (for item 117)

ns = not shown M = Male F = Female G = Grade

* Use 52252 tool to install. † Use 52251 tool to install. ‡ Accessory Only



ELECTRICAL COMPONENTS & HEADLAMPS

Item	Part	Description	Item	Part	Description
138	40575	Toggle Switch (MOM-ON, OFF, ON)	151	28213W	Harness Service Kit H13
139	48259	Switch Boot	152	38802	Headlamp Service Kit H9/H11 – PS
140	40576	Toggle Switch (MOM-ON, OFF, MOM-ON)	ns	38801	Headlamp Service Kit H9/H11 – DS
141	28801-1	Headlamp Service Kit H13 – DS	153	38807	Harness Service Kit H9/H11
ns	28802-1	Headlamp Service Kit H13 – PS	154	38803	Rear Cover Kit H9/H11 PS
142	28803-1	Rear Cover Kit (fits 2- or 3-screw)	ns	38812	Rear Cover Kit H9/H11 DS
143	28804	Mounting Hardware Kit	155	38804	Mounting Hardware Kit H9/H11
144	91105	1/2" Flat Washer	156	38811	Headlamp Bulb Service Kit H11
145	66130	Rubber Grommet	157	38809	Headlamp Bulb Service Kit H9
146	56595	Cable Tie Anchor	158	38808	Cover Screws Service Kit H9/H11 (pkg of 4)
147	28805	Park/Turn Socket Service Kit	ns	48325	Plug Cover
148	-	Park/Turn Bulb (trade no. 4157NAK)	ns	72527	Vehicle Battery Cable
149	28806	Headlamp Bulb Service Kit H13	ns	28587	Vehicle Control Harness
150	28808-1	Cover Screws Service Kit (pkg of 3)			

ns = not shown