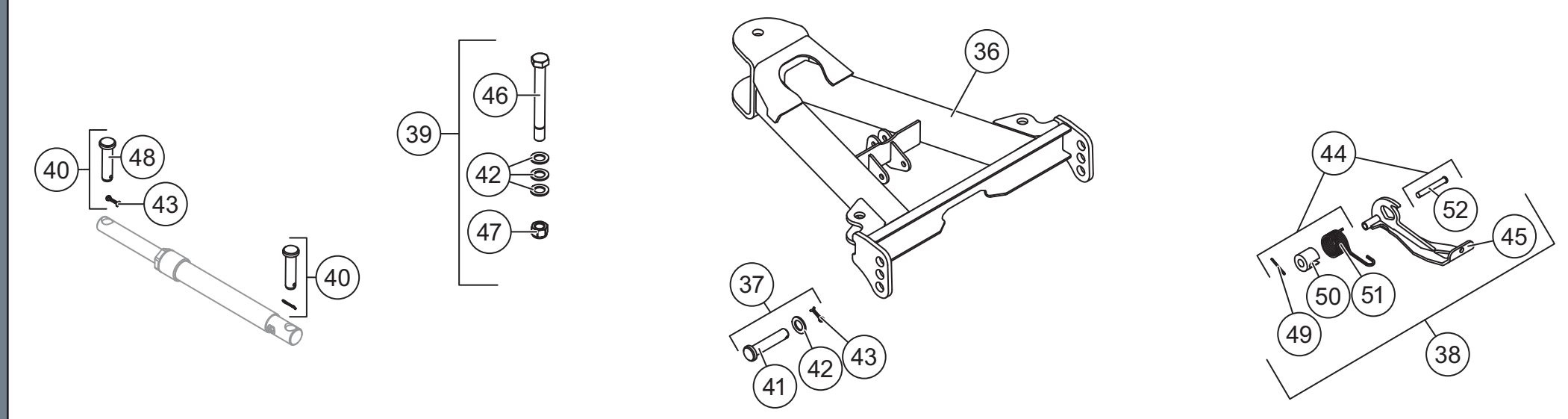


77720-1/77725-1/77730-1/77735-1 BLADE COMPONENTS

Item	Part	Description	Item	Part	Description
1	84567-1	7600HD Blade w/Labels	10*	84506-1	Shoe Assembly Kit
	84566-1	8000HD Blade w/Labels	11**	84563	Accessory Shock Absorber Kit (set of 2)
	84565-1	8600HD Blade w/Labels	12*	84530	Rubber Cutting Edge Kit - 76"
	84564-1	9000HD Blade w/Labels		84531	Rubber Cutting Edge Kit - 8"
				84532	Rubber Cutting Edge Kit - 8 1/2"
2	40695	1/2 Steel Cutting Edge Kit - 7600HD		84533	Rubber Cutting Edge Kit - 9"
	40696	1/2 Steel Cutting Edge Kit - 8000HD		84514	Rubber Deflector Kit - 76"
	40697	1/2 Steel Cutting Edge Kit - 8600HD		84517	Rubber Deflector Kit - 8", 8 1/2", 9"
	40698	1/2 Steel Cutting Edge Kit - 9000HD			
3	48765	Cutting Edge Bolt Bag HD	14*	84463	Back Drag Edge - 7 1/2"
	84525	24" Blade Guide Kit (set of 2)		84464	Back Drag Edge - 8"
4	84576	Quadrant HD		84466	Back Drag Edge - 8 1/2"
5	41123	3/4 x 3 Clevis Pin Kit w/Cotter		84465	Back Drag Edge - 9"
6	84702	Eyebolt Kit	15*	43885	Curb Guard Kit
7	23039	Trip Spring	16*	84477	36" Poly Blade Guide Kit (set of 2)
8	84575	Accessory Wing Kit	ns	84642	Blade Label Kit
9*					
Item 2			40695/40696/40697/40698 1/2 Steel Cutting Edge Kit		
		1/2 Steel Cutting Edge	3	48765	Cutting Edge Bolt Bag
Item 3			48765 Cutting Edge Bolt Bag		
17	5/8-11 x 2	Carriage Bolt G5	18	5/8-11	Hex Locknut GB
Item 4			84525 24" Blade Guide Kit		
19	5/16-18 x 1	Hex Cap Screw G5	21	24"	Poly Blade Guide w/Label
20	5/16-18	Hex Locknut GB			
Item 6			41123 3/4 x 3 Clevis Pin Kit w/Cotter		
22	3/4 x 3	Clevis Pin	23	1/4 x 1-1/2	Cotter Pin
Item 7			84702 Eyebolt Kit		
18	5/8-11	Hex Locknut GB	25	5/8-11 x 4	Eyebolt
24	5/8	Hardened Flat Washer			
Item 10			84506-1 Shoe Assembly Kit		
26	42301	Disc Shoe Assembly	30	83010	7/16 x 1-3/4 Linchpin
27	60217	Disc Shoe	31	84736	Shoe Bracket
28	60045	Spacer	ns	84732	Bolt Bag - 84506-1 Shoe Assembly
29	91192	Round Flat Washer, Special			
Item 11			84642 Blade Label Kit		
32	52203	Label - Attach/Detach, Automattx®	34	29256	Label - Warning, Foot Crush Hazard
33	59900	Label - Warning/Caution, Snowplows	35	77703	Label - Logo, HD Blade Center

ns = not shown * Accessory only. † Accessory only. G = Grade

* Fits only blades with serial number beginning 160209 or higher.



A-FRAME

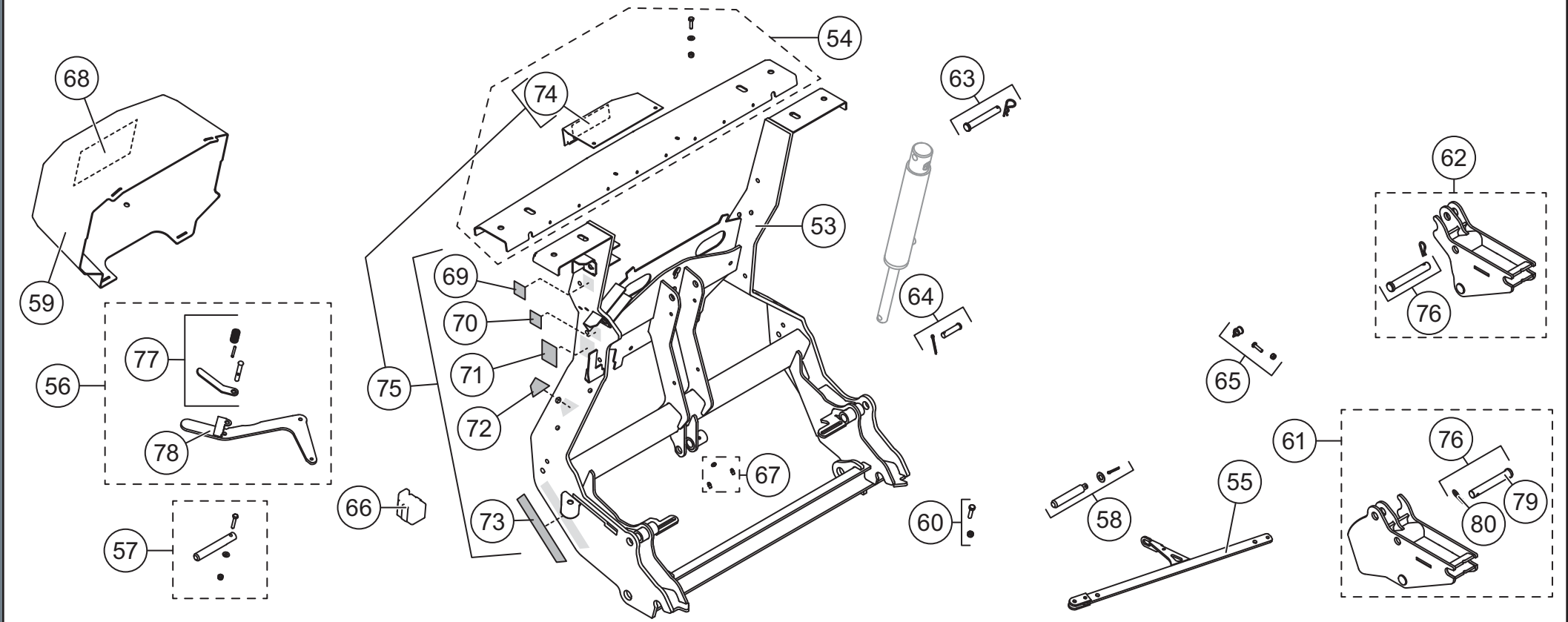
Item	Part	Description	Item	Part	Description
36	84589	A-Frame	39	84769	Pivot Bolt Kit
37	84623	A-Frame Pin Kit	40	57968	1 x 4 Clevis Pin Kit
38	84593	Stand Kit			
Item 37			84623 A-Frame Pin Kit		
41	1 x 4-3/4	Clevis Pin	43	1/4 x 1-1/2	Cotter Pin
42	1"	Flat Washer Special			
Item 38			84593 Stand Kit		
44	84615	Stand Hardware Kit	45		Stand
Item 39			84769 Pivot Bolt Kit		
42	1"	Flat Washer Special	47	1-8	Hex Locknut GB
46	1-8 x 9	Hex Cap Screw Special G5			
Item 40			57968 1/4 x 4 Clevis Pin Kit		
43	1/4 x 1-1/2	Cotter Pin	48	1 x 4	Clevis Pin
Item 43			84615 Stand Hardware Kit		
49	5/32 x 1-1/2	Cotter Pin	51		Stand Torsion Spring
50		Stand Spring Spacer	52	1/2 x 3-5/8	Clevis Pin

G = Grade



HD Heavy Duty Snowplow

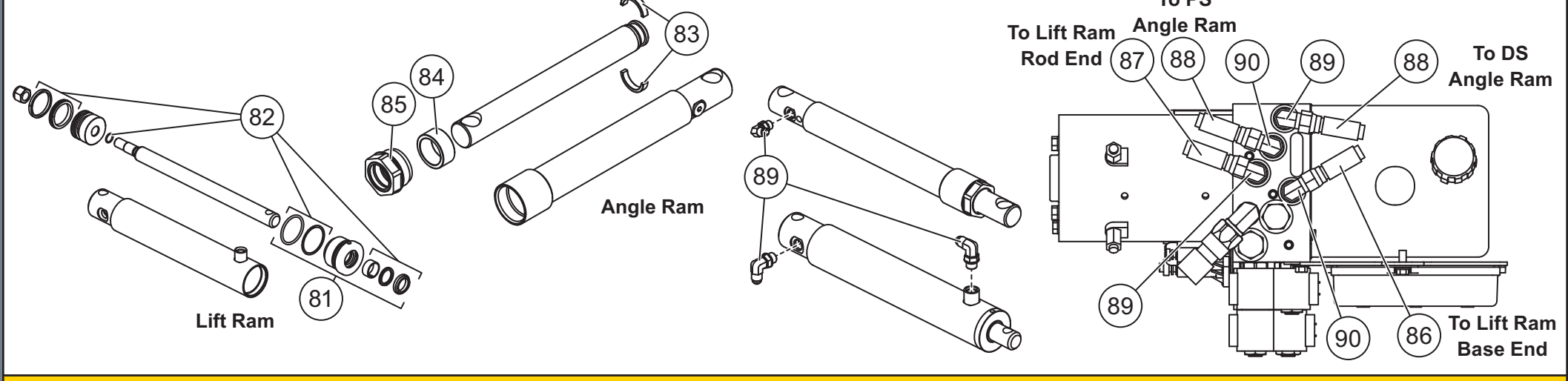
Full parts list (Lit. No. 94119 and 52239) available at www.snowexproducts.com.



HEADGEAR COMPONENTS

Item	Part	Description	Item	Part	Description
53	84622	Headgear (incl. item 67)	64	84627	Lift Ram Rod Pin Kit
54	84624	Light Bar Channel	65	84778	Clamp Loop Kit
55	84599	Link Arm	66	61246	Cable Boot
56	84595	Attach Handle Kit	67	84616	Grease Zerk (pkg of 3)
57	84603	Attach Pin Kit	68	43859	Label - Hydraulic Information, Straight Blades
58	84601	Link Arm Jack Stand Pin Kit	69	52206	Label - Power Switch, Automattx®
59	84649	Hydraulic Cover (incl. item 68)	70	52207	Label - Operation Switch, Automattx
60	84635	Link Arm/Attach Handle Fastener Kit	71	69689	Label - Logo, SECURITY GUARD™
61	84608	Receiver Kit - DS (incl. item 78)	72	77717	Label - Logo, Automattx, Upper
ns	85121*	Receiver Kit, Tall - DS	73	77719	Label - Logo, Automattx, Lower
62	84609	Receiver Kit - PS (incl. item 78)	74	77727	Label - Logo, SnowEx® Light Bar, Center
ns	85122*	Receiver Kit, Tall - PS	75	84647	Headgear Label Kit
63	84632	Lift Ram Base Pin Kit	76	84611	Receiver Pin Kit
Item 53			84595 Attach Handle Kit		
77	84596	Attach Handle Release Cam Kit	78	84779	Handle
Item 75			84647 Headgear Label Kit		
69	52206	Label - Power Switch, Automattx	72	77717	Label - Logo, Automattx, Upper
70	52207	Label - Operation Switch, Automattx	73	77719	Label - Logo, Automattx, Lower
71	69689	Label - Logo, SECURITY GUARD	74	77727	Label - Logo, SnowEx® Light Bar, Center
Item 76			84611 Receiver Pin Kit		
79	95739	3/4 x 5 Clevis Pin HT	80	42142	R-Pin Cotter

ns = not shown HT = Heat Treated



HYDRAULIC COMPONENTS, HOSES & FITTINGS

Item	Part	Description	Item	Part	Description
81	49499	1" Gland Assembly	87	84453	Hose, 1/4 x 20 w/F JIC Ends
82	48520	Seal Kit 2" DA Ram	88	52304	Hose, 3/8 x 36 w/F JIC Ends
83	57879	Split Bearing Kit	89	56615-1	Elbow, 90° - 6 M JIC-6 M ORB
84	56537	Spacer	90	40572	Elbow, Extra Long 90° - 6 M JIC-6 M ORB
85	48985	Gland Nut Assembly	ns	56823	Hose Wrap
86	84446	Hose, 1/4 x 14 w/F JIC Ends			

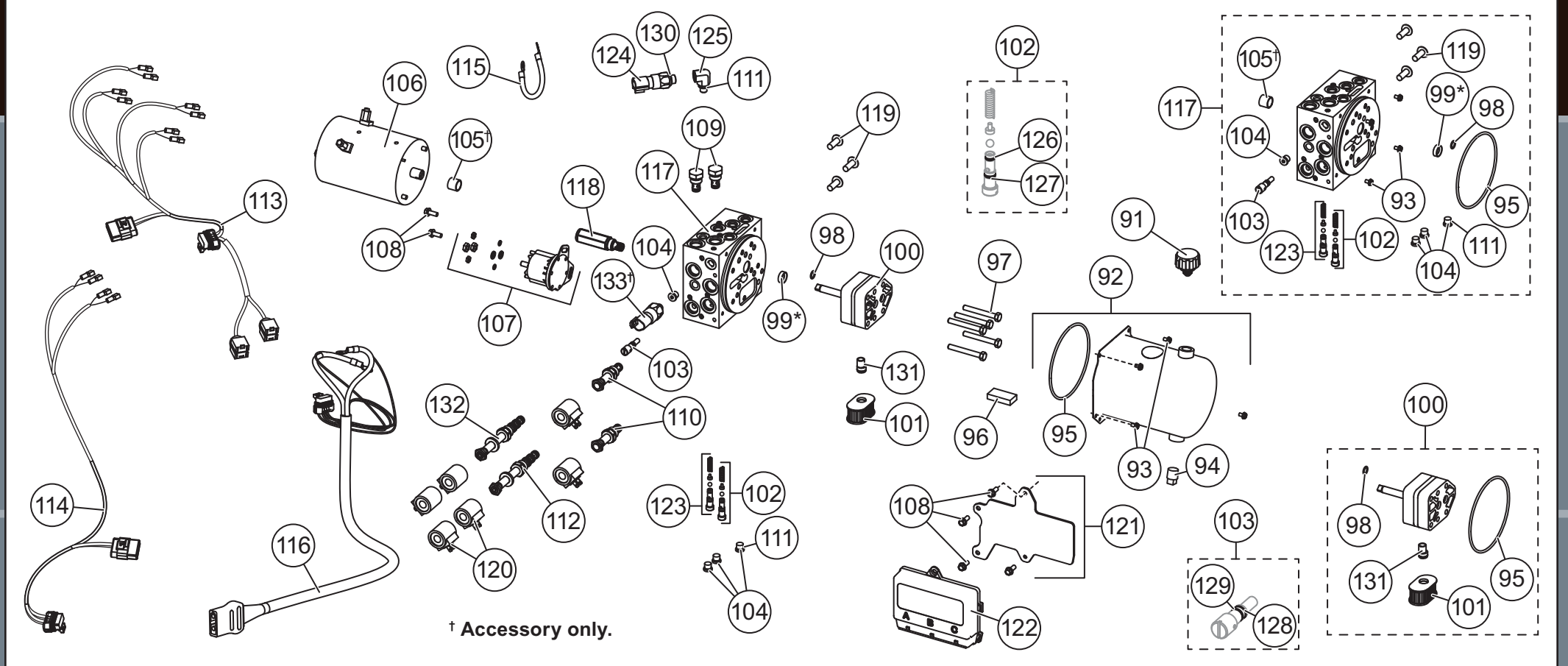
F = Female ns = not shown M = Male

Copyright © 2020 Douglas Dynamics, LLC. All rights reserved. This material may not be reproduced or copied, in whole or in part, in any printed, mechanical, electronic, film, or other distribution and storage media, without the written consent of TrynEx International, LLC. Authorization to photocopy items for internal or personal use by TrynEx International outlets or snowplow owner is granted.

TrynEx International reserves the right under its product improvement policy to change construction or design details and furnish equipment when so altered without reference to illustrations or specifications used. TrynEx International or the vehicle manufacturer may require or recommend optional equipment for snow removal. Do not exceed vehicle ratings with a snowplow. TrynEx International offers a limited warranty for all snowplows and accessories. See separately printed page for this important information. The following are registered (®) or unregistered (™) trademarks of Douglas Dynamics, LLC: Automattx®, Scrape Maxx™, SECURITY GUARD™, SnowEx®.

TrynEx International, LLC
531 Ajax Drive
Madison Heights, MI 48071-2429
www.snowexproducts.com

Lit. No. 76443, Rev. 04 Printed in U.S.A. October 15, 2020

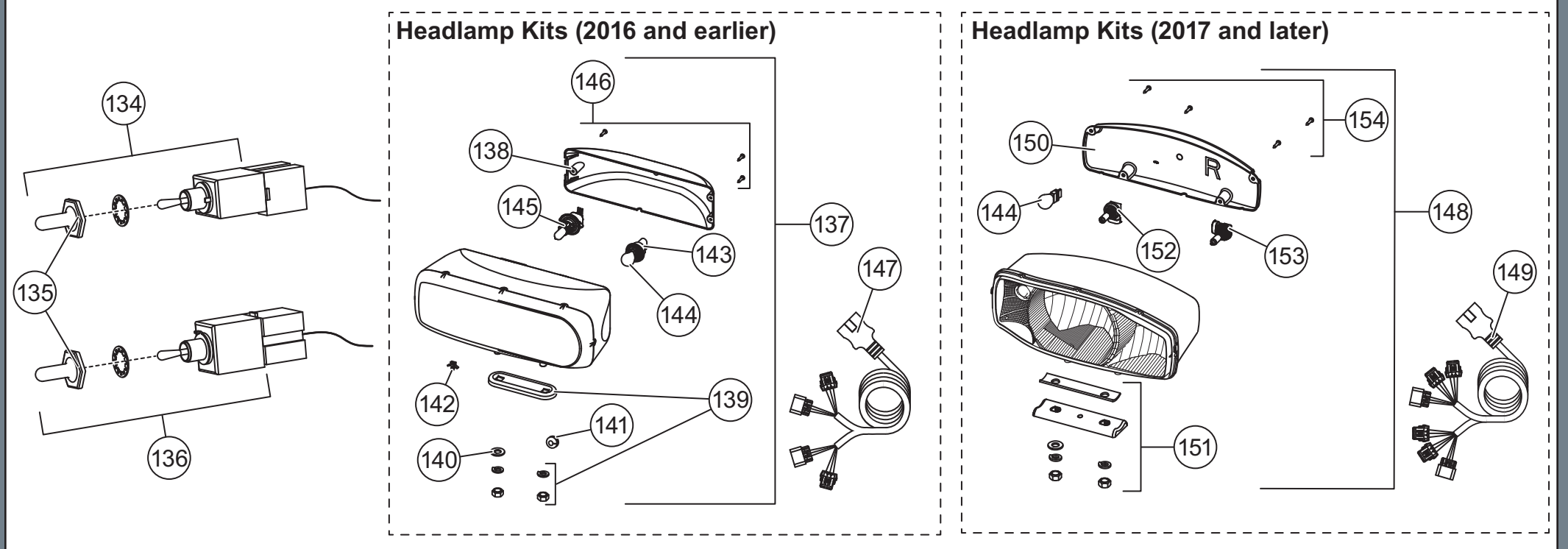


52646 HYDRAULIC UNIT

Item	Part	Description	Item	Part	Description
91	48278	Breather	112	52285	Valve, 4-Way, 3-Position Closed Center
92	52289	Reservoir Kit	113	70448	Plow Control Harness, 4-Coil
93	66607	#10-24 x 5/16 Machine Screw	114	52077	Plow Control Harness, 2-Coil
94	92079	Plug, Square 3/8 NPTF	115	29071	Vehicle Battery Cable 8"
95	66519	O-Ring 2-250	116	52291	Snowplow Battery Cable
96	73897	Magnet	117	52256	Manifold Assembly w/o Valves HD
97	90073	5/16-18 x 2-1/4 Hex Cap Screw G5	118	42889	Relief Valve 4000 psi
98	56274	O-Ring -013	119	98043	3/8-16 x 1 Button Cap Screw
99*	66515	Pump Shaft Seal	120	52294	Coil
ns	52252	Seal Repair Tool Kit w/Seal	121	52293-1	Plate, Module
100	52288	Hydraulic Pump Kit	122	52292-1	Module, Plow Control
101	48281	Filter	123	52284	Relief Valve (1 set)
102	52282	Relief Valve (1 set)	124	52296	Pressure Switch
103	48517	Quill	125	52295	Elbow, 90° - 4 M ORB/-6 F ORB
104	44344	Plug, Hex Socket - 4 M ORB	126	55371	O-Ring -008
105†	56364	Bearing Sleeve	127	25731	O-Ring -010
ns	52251	Bearing Repair Tool Kit w/Bearing	128	48239	O-Ring -106
106	52281	Motor	129	48240	Back-Up Ring -106
107	52290	Motor Relay Kit, FLEET FLEX	130	56569	O-Ring -906
108	44355	1/4-20 x 5/8 Hex Washer-Head Thread-Rolling Screw	131	10887	Inlet Fitting
109	84934	Check Valve	132	84937	Valve, 4-Way, 3-Position
110	84936	Valve, 2-Way NC w/Rev Flow	ns		Fuse, 5A Mini Automotive Blade-Style (for items 113 & 114)
111	44343	O-Ring -904	133*	84854	Scrape Maxx™ Kit
Item 92			52289 Reservoir Kit		
93	66607	#10-24 x 5/16 Machine Screw	95	66519	O-Ring 2-250
94	92079	Plug, Square 3/8 NPTF			
Item 117			52256 Manifold Assembly w/o Valves		
93	66607	#10-24 x 5/16 Machine Screw	104	44344	Plug, Hex Socket - 4 M ORB
95	66519	O-Ring 2-250	105†	56364	Bearing Sleeve
98	56274	O-Ring -013	111	44343	O-Ring -904
99*	66515	Pump Shaft Seal	119	98043	3/8-16 x 1 Button Cap Screw
102	52282	Relief Valve (1 set)	123	52284	Relief Valve (1 set)
103	48517	Quill			
O-Ring Service Kits			O-Ring Service Kits		
-	52298-2	O-Ring Kit	-	48310	Seal Kit, 2-Way Valves
-	48309	Seal Kit, 3-Way & 4-Way Valves			

M = Male ns = not shown F = Female G = Grade

* Use 52252 tool to install. † Accessory only. ‡ Use 52251 tool to install.



ELECTRICAL COMPONENTS & HEADLAMPS

Item	Part	Description	Item	Part	Description
134	40575	Toggle Switch (MOM-ON, OFF, ON)	147	28213W	Harness Service Kit H13
135	48259	Switch Boot	148	38802	Headlamp Service Kit H9/H11 - PS
136	40576	Toggle Switch (MOM-ON, OFF, MOM-ON)	ns	38801	Headlamp Service Kit H9/H11 - DS
137	28801-1	Headlamp Service Kit H13 - DS	149	38807	Harness Service Kit H9/H11
ns	28802-1	Headlamp Service Kit H13 - PS	150	38803	Rear Cover Kit H9/H11 PS
138	28803-1	Rear Cover Kit (fits 2- or 3-screw)	ns	38812	Rear Cover Kit H9/H11 DS
139	28804	Mounting Hardware Kit	151	38804	Mounting Hardware Kit H9/H11
140	91105	1/2 Flat Washer	152	38811	Headlamp Bulb Service Kit H11
141	66130	Rubber Grommet	153	38809	Headlamp Bulb Service Kit H9
142	56595	Cable Tie Anchor	154	38808	Cover Screws Service Kit H9/H11 (pkg of 4)
143	28805	Park/Turn Socket Service Kit	ns	48325	Plug Cover
144	-	Park/Turn Bulb (trade no. 4157NAK)	ns	72527	Vehicle Battery Cable
145	28806	Headlamp Bulb Service Kit H13	ns	28587	Vehicle Control Harness
146	28808-1	Cover Screws Service Kit (pkg of 3)			

ns = not shown