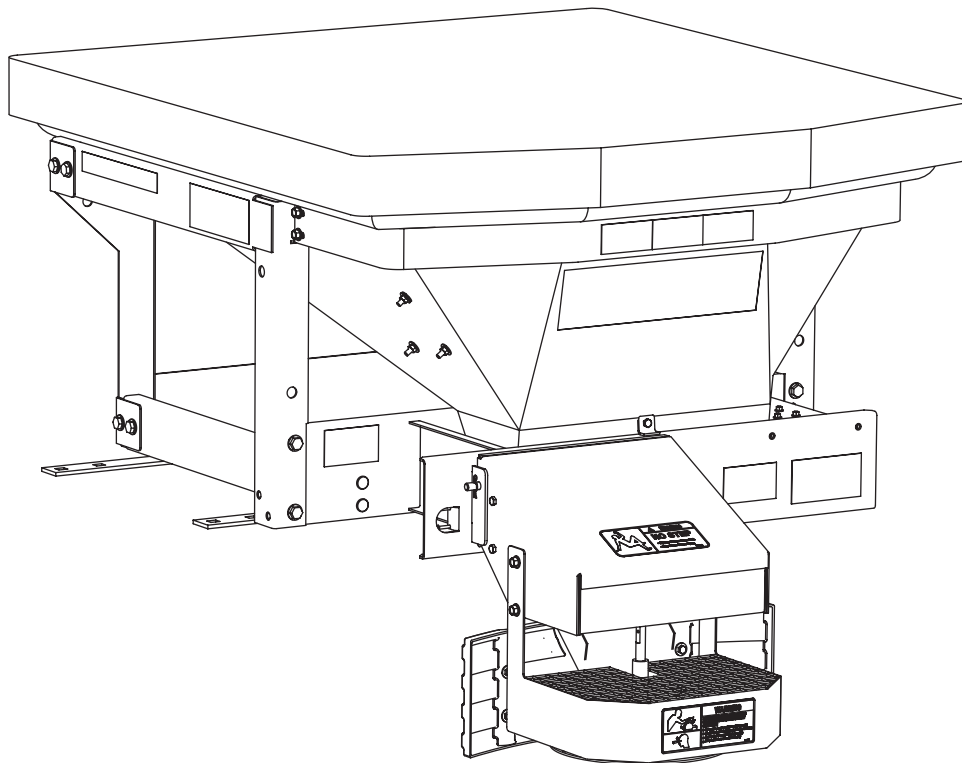




Hopper Spreader Components

POLY-CASTER™ UTV Hopper Spreader

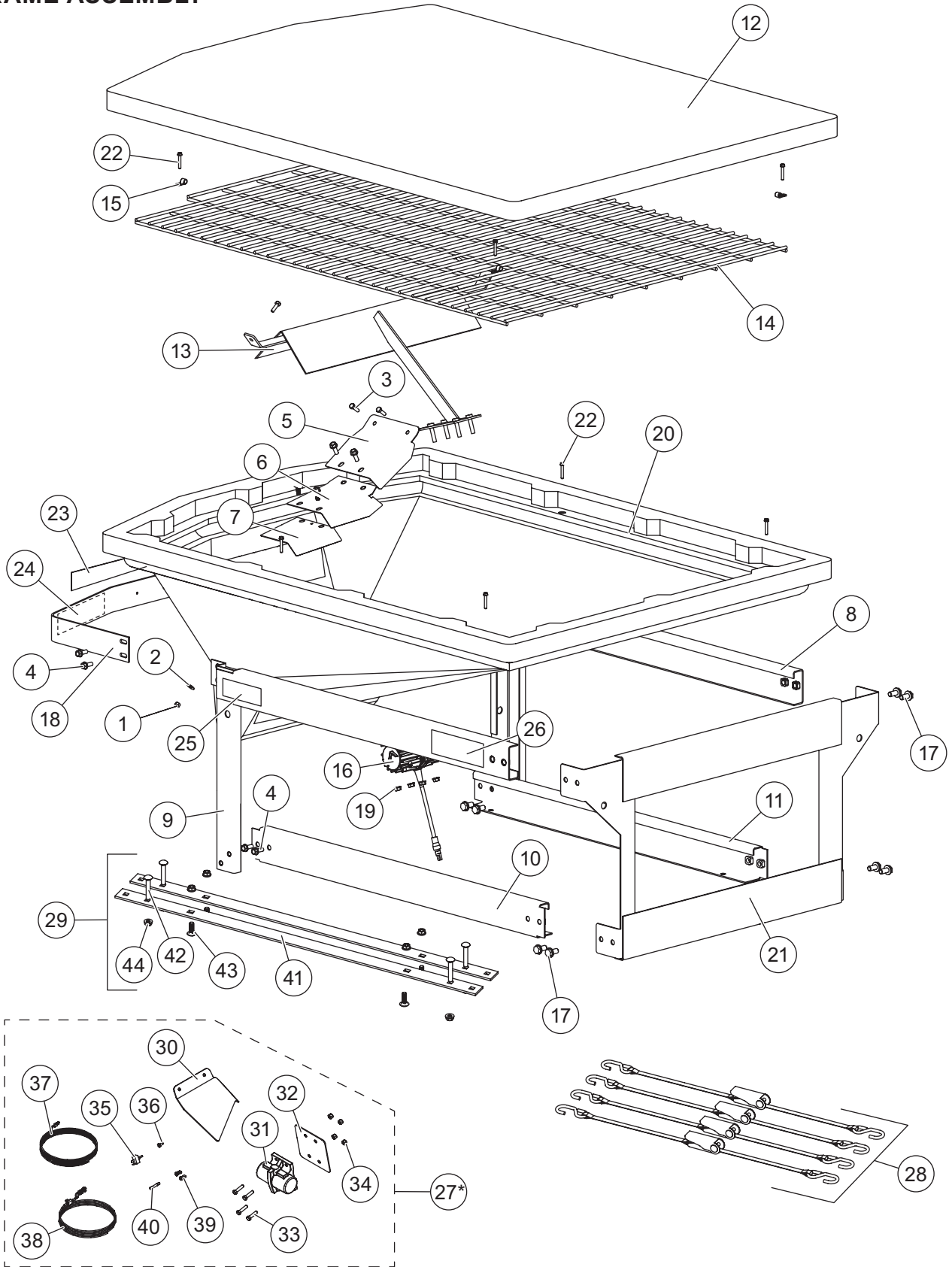
Parts List



This Parts List is for FISHER® POLY-CASTER UTV hopper spreaders
with serial numbers beginning with 160901 and higher.

POLY-CASTER™ UTV HOPPER SPREADER

FRAME ASSEMBLY



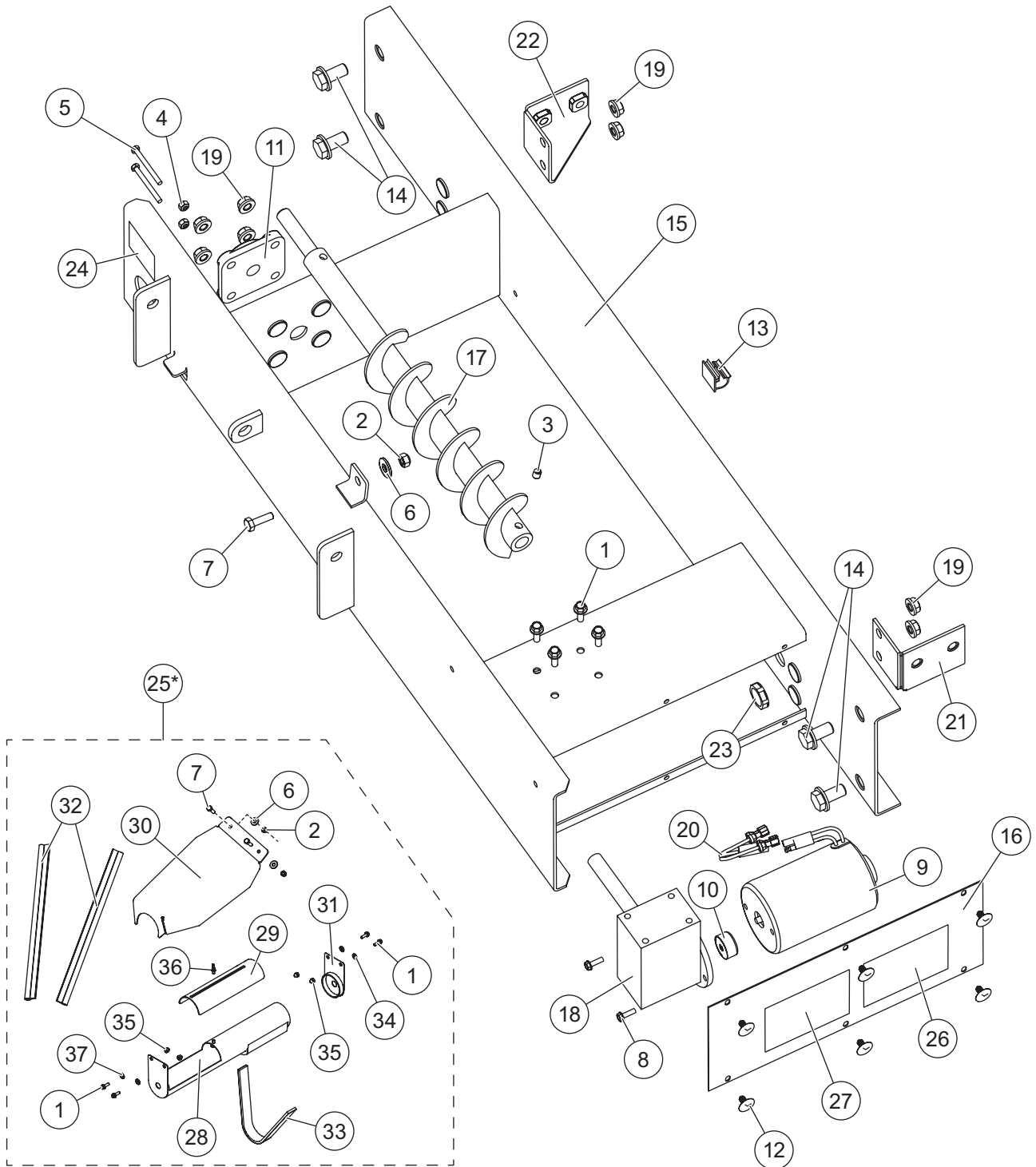
POLY-CASTER™ UTV HOPPER SPREADER

Frame Assembly							
Item	Part	Qty	Description	Item	Part	Qty	Description
1	91332	4	5/16-18 Hex Locknut GB	15	51066	4	5/16 Clamp
2	90313	4	5/16 Flat Washer	16	51068	1	DC-200 Vibrator
3	68494	4	5/16-18 x 1 Hex Cap Screw	17	51074	8	1/2-13 x 1 Serrated Hex Cap Screw
4	51049	12	3/8-16 x 1 Serrated Flange Hex Cap Screw Type F	18	51075	1	Hopper Apron
5	51052	1	Main Baffle	19	51092	4	3/8-16 Serrated Flange Nut
6	51053	1	Secondary Baffle	20	77002	1	Hopper, 11 ft ³ , FISHER®
7	51054	1	Third Baffle	21	51099	1	Front Frame
8	93120	1	Frame, Left	22	51103	8	1/4 x 1-1/2 Driller w/Washer
9	93119	1	Frame, Right	23	51104	1	Conspicuity Tape
10	93121	1	Lower Rail, Right	24	85184	1	Label – POLY-CASTER UTV Logo
11	93122	1	Lower Rail, Left	25	93107	2	Label – Warning, GVWR
12	93116	1	Tarp Kit	26	69808	2	Label – Identity, FISHER Logo
13	93118	1	Inverted V, 11 ft ³ Hopper	27*	51106	1	Optimum Flow Kit
14	93117	1	Top Screen, 11 ft ³ Hopper	28	51063	1	Ratchet Strap (pkg of 4)
				29	93108	1	UTV Mounting Kit
Item 27*				51106 Optimum Flow Kit			
30	88295	1	Opti-Flow Baffle	36	88291	1	Rubber Switch Boot
31	88283	1	DC-80 Vibrator	37	88289	1	Spreader/Vehicle Harness, 20'
32	88284	1	Vibrator Backing Plate	38	88290	1	Battery Harness, 10'
33	90043	4	3/8-16 x 2 Hex Cap Screw G5	39	88294	2	Spade Connector
34	91333	4	3/8-16 Hex Locknut GB	40	88287	1	Butt Connector
35	88285	1	ON/OFF Switch	ns	88288	1	Dielectric Grease
Item 29				93108 UTV Mounting Kit			
41		2	UTV Mounting Bar	43		8	1/2-13 x 1-1/2 Carriage Bolt
42		4	1/2-13 x 3 Carriage Bolt	44		8	1/2-13 Serrated Flange Nut
ns = not shown				G = Grade			

* = Accessory Only

POLY-CASTER™ UTV HOPPER SPREADER

AUGER ASSEMBLY



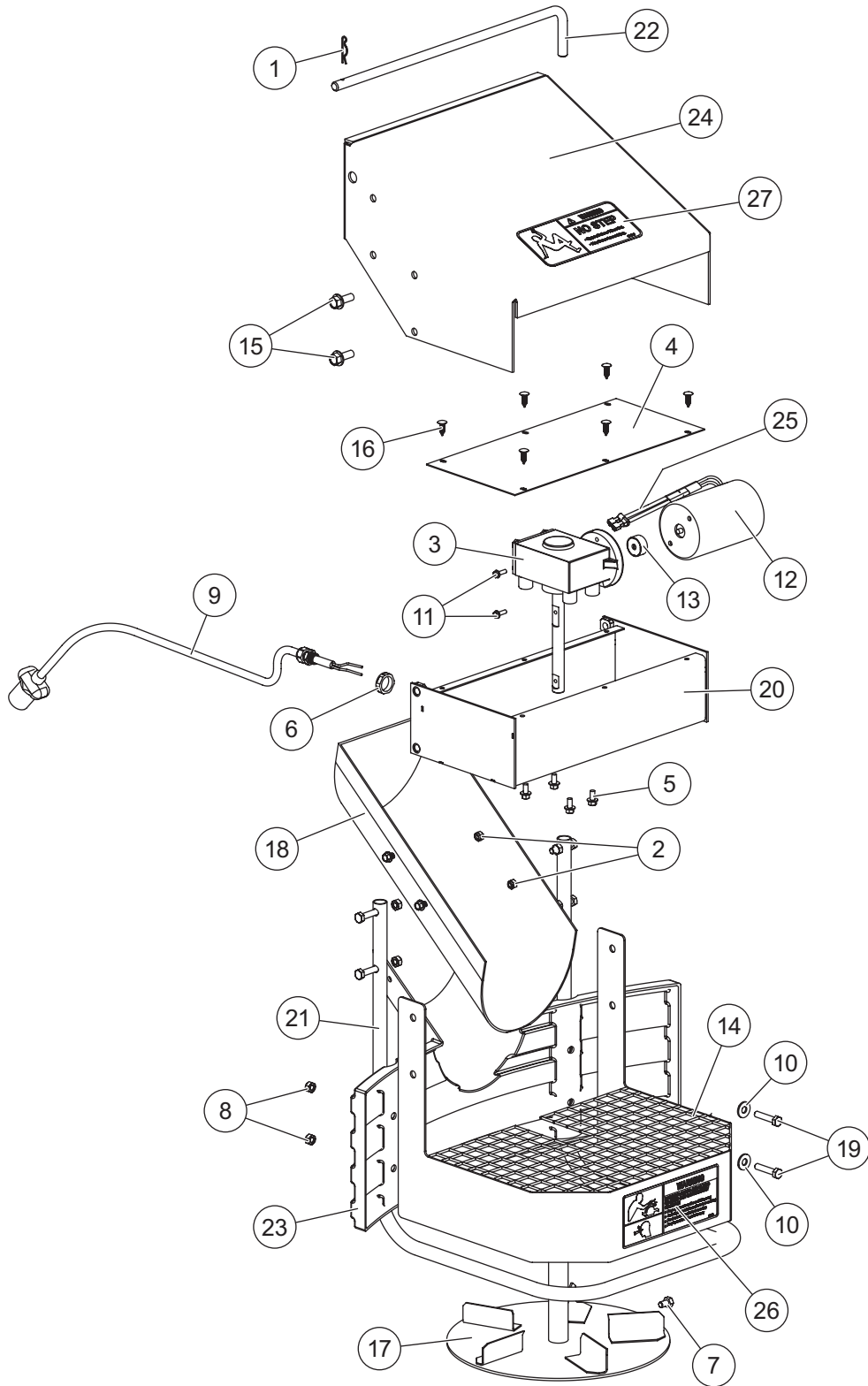
POLY-CASTER™ UTV HOPPER SPREADER

Auger Assembly							
Item	Part	Qty	Description	Item	Part	Qty	Description
1	51031	4	1/4-20 x 3/4 Serrated Flange Hex Cap Screw SS	14	51074	4	1/2-13 x 1 Serrated Flange Hex Cap Screw
2	91332	1	5/16-18 Hex Locknut GB	15	51076	1	Auger Drive Frame
3	51034	1	5/16-18 x 3/8 Set Screw	16	51077	1	Auger Motor Cover
4	88266	2	#10-32 Hex Locknut	17	51087	1	Auger
5	51035	2	#10-32 x 2 Hex Cap Screw SS	18	51090	1	Transmission 30:1
6	90313	1	5/16 Flat Washer	19	51092	8	3/8-16 Serrated Flange Nut
7	68494	1	5/16-18 x 1 Hex Cap Screw G5	20	51096	1	Spinner Motor Connector
8	51039	2	#10-32 x 5/8 Serrated Flange Hex Cap Screw w/Patch	21	88269	1	Lower Rail Mount Bracket, Right
9	51040	1	3" 12V DC Motor w/2-Pin Connector	22	51098	1	Lower Rail Mount Bracket, Left
10	51041	1	Motor Drive Coupler	23	51101	1	1/2 NPT Nut Black Nylon
11	51043	1	5/8 Bearing 4-Bolt Flange	24	93106	1	Label – Warning, Read Manual
12	51050	6	1/4 x 3/4 x 1/2 Push Retainer	25*	51107	1	Auger Tube Restrictor Kit
13	51051	1	3/8 Wire Clamp	26	93114	1	Label – Warning, Rotating Auger
				27	11100	1	Label – Warning, Rear Camera
Item 25*				51107 Auger Tube Restrictor Kit			
1	51031	4	1/4-20 x 3/4 Serrated Flange Hex Cap Screw SS	30	88278	1	Material Baffle
2	91332	2	5/16-18 Hex Locknut GB	31	88276	1	End Cap, Auger Tube
6	90313	2	5/16 Flat Washer	32	88281	1	Edge Grip Seal, 36"
7	68494	2	5/16-18 x 1 Hex Cap Screw G5	33	88282	1	1-1/4" Adhesive-Back Foam, 18"
28	88275	1	Auger Tube	34	50969	4	1/4 Flat Washer SS
29	88277	1	Gate Slide, Auger Tube	35	50970	4	1/4-20 Hex Locknut Waxed SS
				36	88274	1	1/4-20 Wing Nut SS
SS = Stainless Steel				G = Grade			

* = Accessory Only

POLY-CASTER™ UTV HOPPER SPREADER

DRIVE ASSEMBLY

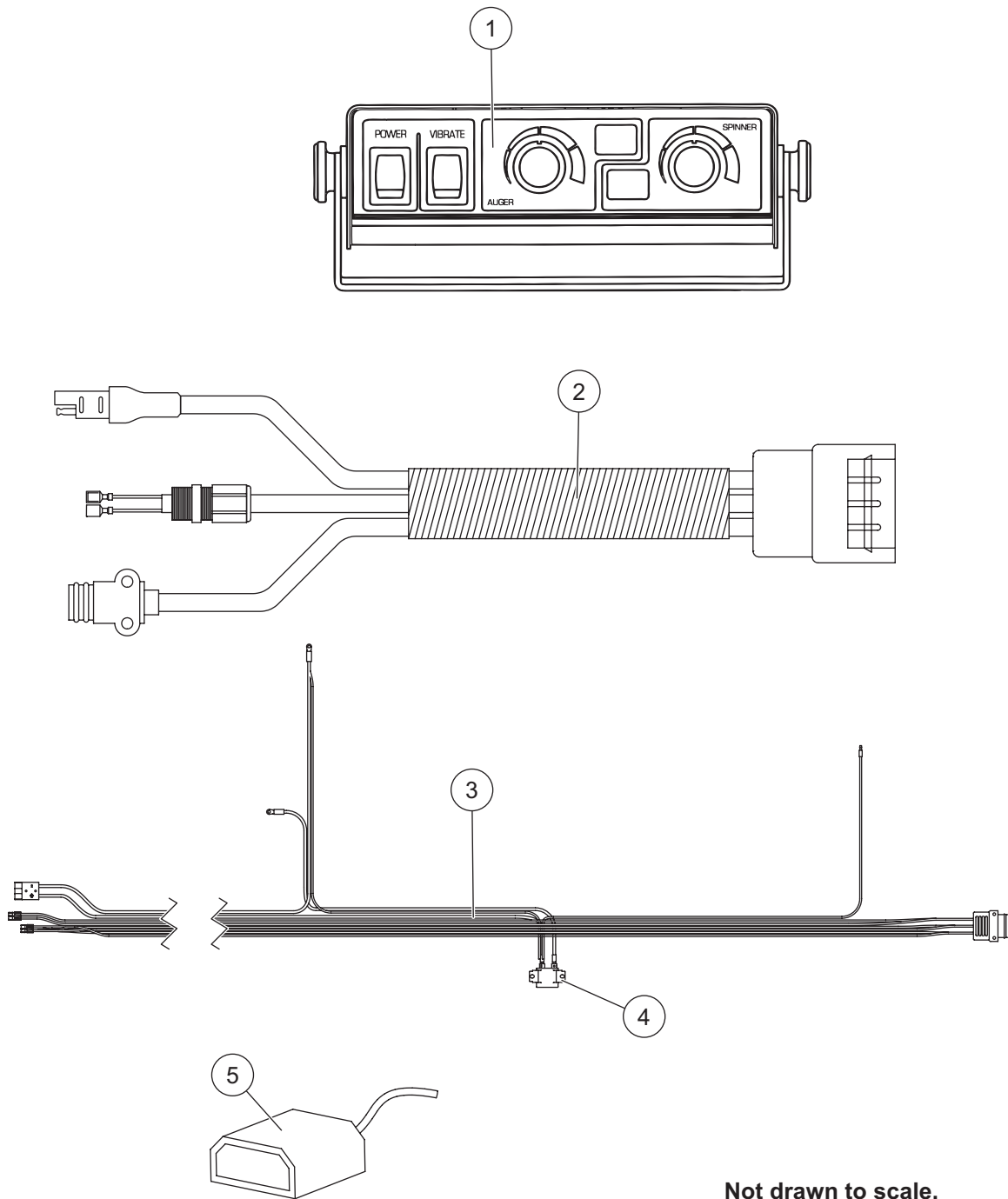


POLY-CASTER™ UTV HOPPER SPREADER

76385 Drive Assembly							
Item	Part	Qty	Description	Item	Part	Qty	Description
1	51024	1	0.093 x 2-3/8 Hairpin Cotter	14	93112	1	Spinner Guard
2	91331	4	1/4-20 Hex Locknut GB	15	51049	4	3/8-16 x 1 Serrated Flange Cap Screw Type F
3	51028	1	Transmission 8:1				
4	51029	1	Spinner Drive Enclosure	16	51050	6	1/4 x 3/4 x 1/2 Push Retainer
5	51030	2	1/4-20 x 1/2 Serrated Flange Cap Screw SS	17	51069	1	Spinner w/Extended Shaft, 12"
6	51101	1	1/2 NPT Nut Black Nylon	18	51070	1	Material Chute
7	51032	1	5/16-18 x 1/2 Hex Cap Screw G5	19	51072	8	5/16-18 x 1-1/2 Tapping Screw
8	91332	8	5/16-18 Hex Locknut GB	20	51080	1	Spinner Drive Enclosure
9	51036	1	Power Cable	21	51081	1	Tubular Spinner Guard
10	90313	4	5/16 Flat Washer	22	93123	1	Bent Pin
11	51039	2	#10-32 x 5/8 Serrated Flange Cap Screw w/Patch	23	51089	1	Spinner Deflector
12	51040	1	3" 12V DC Motor w/2-Pin Connector	24	51091	1	Drive Enclosure Shroud
13	51041	1	Motor Drive Coupler	25	51097	1	Auger Motor Connector
				26	93109	1	Label – Warning, Rotating Parts
				27	93110	1	Label – Warning, No Step
SS = Stainless Steel				G = Grade			

POLY-CASTER™ UTV HOPPER SPREADER

ELECTRICAL COMPONENTS



Not drawn to scale.

POLY-CASTER™ UTV HOPPER SPREADER

Electrical Components							
Item	Part	Qty	Description	Item	Part	Qty	Description
1	51073	1	Spreader Control	4	72514	1	75A Power Relay
2	51067	1	Spreader Harness	5	93113	1	Harness Dust Cover
3	93111	1	Vehicle Harness				

POLY-CASTER™ UTV HOPPER SPREADER



Fisher Engineering
50 Gordon Drive
Rockland, ME 04841-2139
www.fisherplows.com

A DIVISION OF FISHER, LLC

Copyright © 2020 Douglas Dynamics, LLC. All rights reserved. This material may not be reproduced or copied, in whole or in part, in any printed, mechanical, electronic, film, or other distribution and storage media, without the written consent of Fisher Engineering. Authorization to photocopy items for internal or personal use by Fisher Engineering outlets or spreader owner is granted.

Fisher Engineering reserves the right under its product improvement policy to change construction or design details and furnish equipment when so altered without reference to illustrations or specifications used. Fisher Engineering or the vehicle manufacturer may require or recommend optional equipment for spreaders. Do not exceed vehicle ratings with a spreader. Fisher Engineering offers a limited warranty for all spreaders and accessories. See separately printed page for this important information. The following are registered (®) or unregistered (™) trademarks of Douglas Dynamics, LLC: FISHER®, POLY-CASTER™.

Printed in U.S.A.