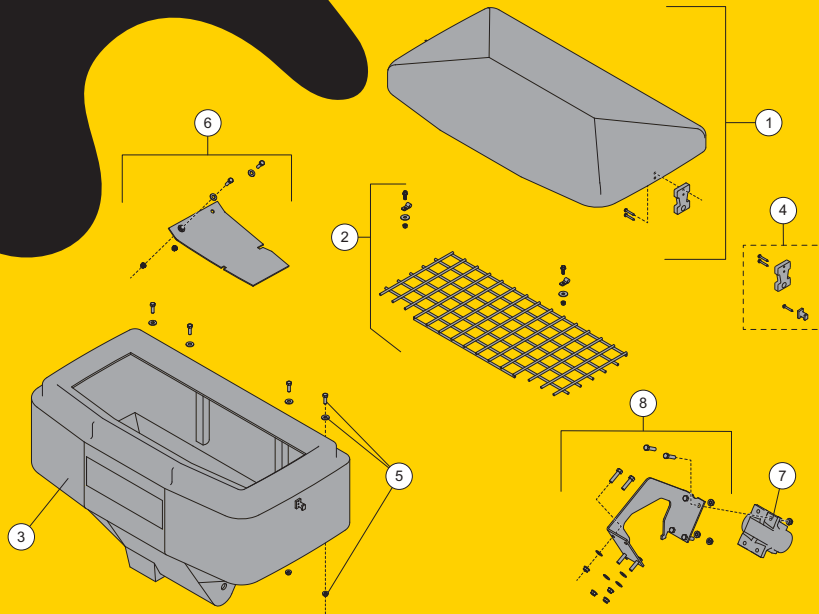


SPEED-CASTER™

LOW-PROFILE
TAILGATE SPREADERS

5.25 cu ft / 9.0 cu ft

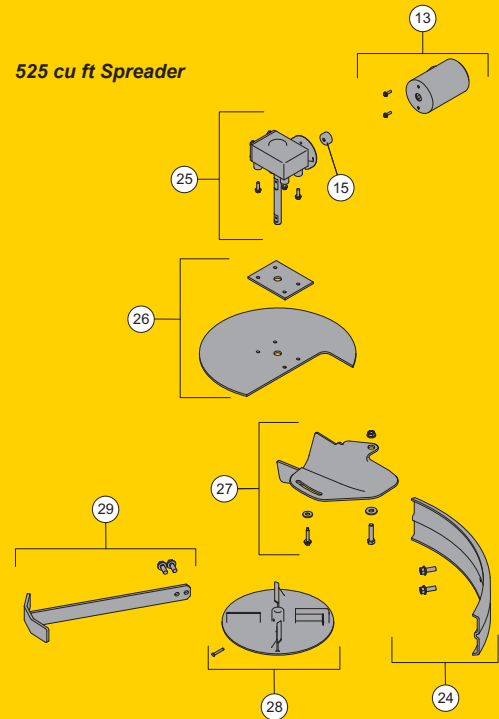


HOPPER & VIBRATOR – 525 cu ft Spreader

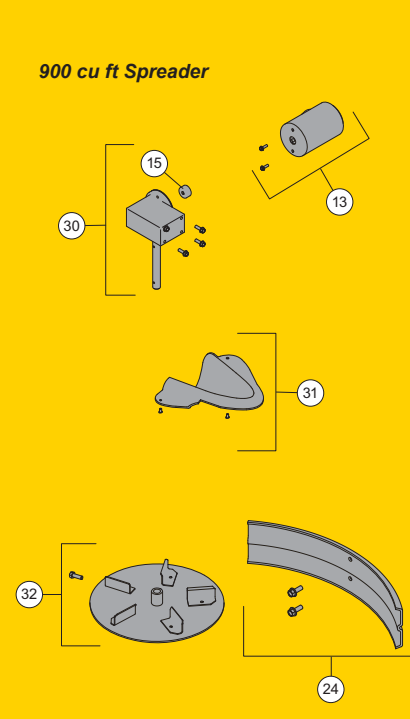
Item	Part	Description	Item	Part	Description
1	75630	Lid Kit SPEED-CASTER™ 525	5	75659	Hopper Hardware Kit
2	75655	Top Screen Kit 30 x 14	6	75657	Baffle Kit
3	75907	Hopper Kit SPEED-CASTER 525 – Yellow	7	75673	Vibrator DC-80
4	75612	Hopper Strap Kit	8	75658	Vibrator Mount Kit

ns = not shown

525 cu ft Spreader

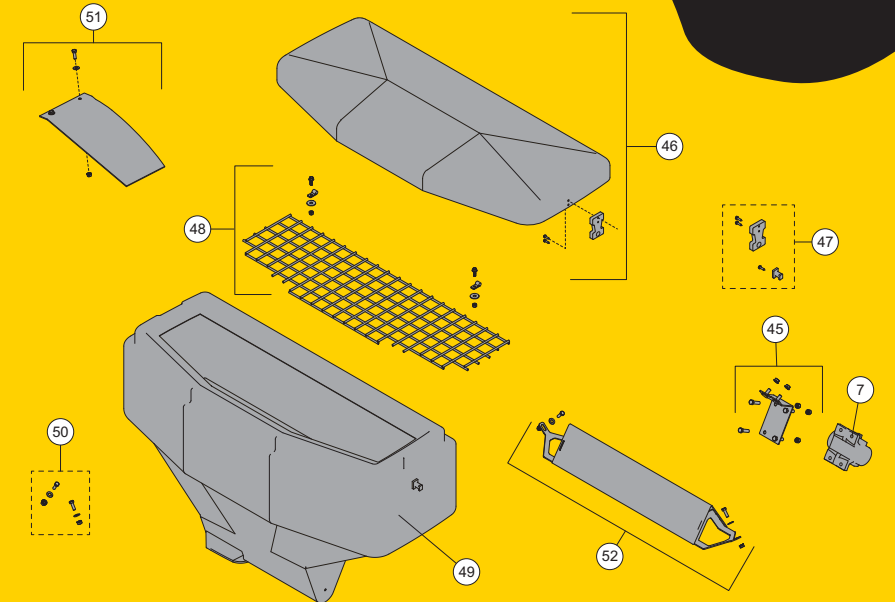


900 cu ft Spreader



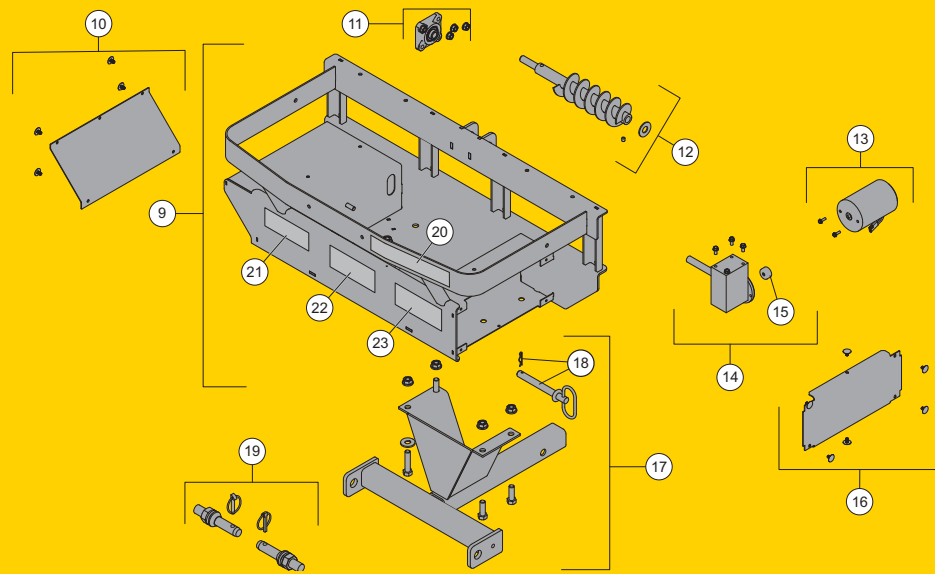
SPINNER ASSEMBLY & MATERIAL CHUTE

Item	Part	Description	Item	Part	Description
13	75901	Motor Kit (both models)	28	75618	Spinner Kit SPEED-CASTER 525
15	D6232	Motor Drive Coupler (both models)	29	75672	Protector Foot Kit SPEED-CASTER 525
24	75665	Deflector Kit (both models)	30	75686	Spinner Transmission Kit SPEED-CASTER™ 900
25	75640	Spinner Transmission Kit SPEED-CASTER 525	31	75691	Material Chute Kit SPEED-CASTER 900
26	75663	CE Guard Kit SPEED-CASTER 525	32	75685	Spinner Kit SPEED-CASTER 900
27	75662	Material Chute Kit SPEED-CASTER 525			



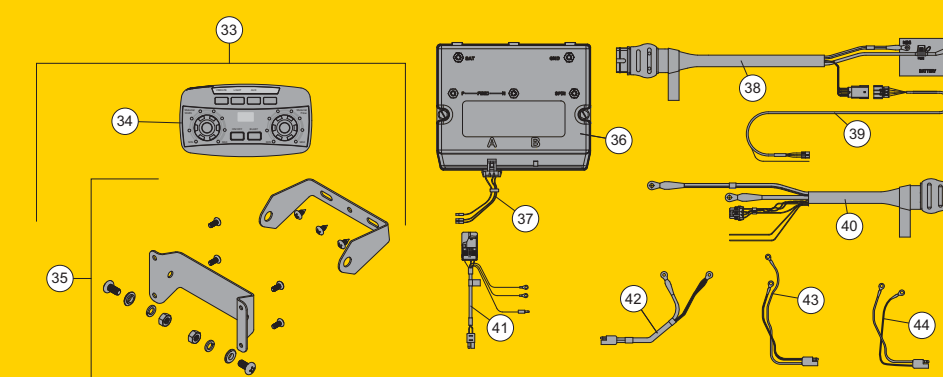
HOPPER & VIBRATOR – 900 cu ft Spreader

Item	Part	Description	Item	Part	Description
7	75673	Vibrator DC-80	49	75909	Hopper Kit SPEED-CASTER 900
45	75683	Vibrator Mount Bracket Kit	50	75614	Hopper Hardware Kit
46	75677	Lid Kit SPEED-CASTER 900	51	75681	Baffle Kit
47	75612	Hopper Strap Kit	52	75682	Inverted V Kit
48	75680	Top Screen Kit 40 x 14			



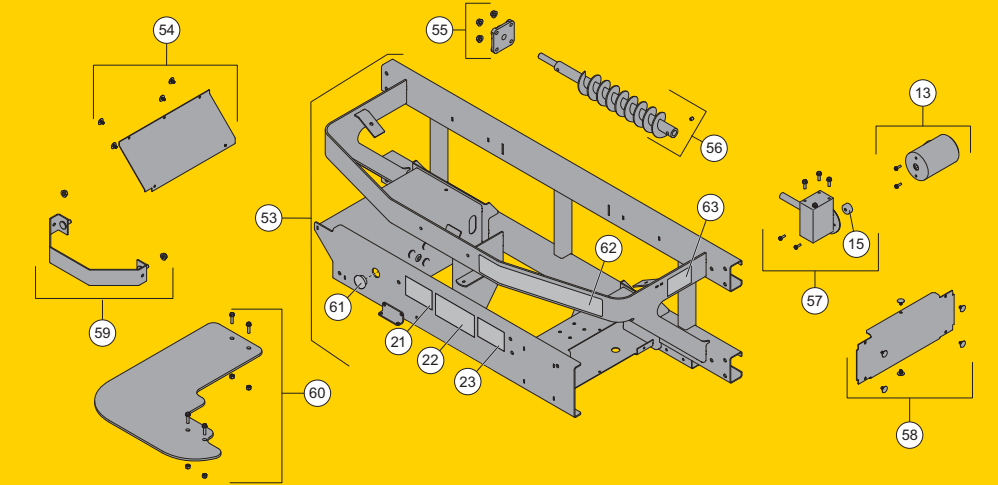
FRAME, AUGER, HITCH – 525 cu ft Spreader

Item	Part	Description	Item	Part	Description
9	75903	Frame Kit SPEED-CASTER 525	15	D6232	Motor Drive Coupler
10	75667	Auger Drive Cover Kit SPEED-CASTER 525	16	75658	Drive Cover SPEED-CASTER 525
11	75660	Bearing Kit	17	75654	Hitch Kit SPEED-CASTER 525
12	75661	Auger Kit	18	75620	Hitch Pin with Cotter
13	75901	Motor Kit	19	75666	Lift Arm Pin Kit
14	75670	Auger Transmission Kit			



CONTROLS / ELECTRICAL

Item	Part	Description	Item	Part	Description
33	52440	Spreader Control Kit	39	69902	Vehicle Control Harness
34	-	2-Knob Spreader Control TG	40	72092	Spreader Harness 7-Pin
35	52345	Control Bracket Kit	41	78382	Vibrator Harness Assembly
36	52375	Spreader Module 5-Post	42	78397	Auger Motor Harness
37	69893	10-Pin Connector w/3 Wires	43	78399	Spinner Motor Harness SPEED-CASTER 900
38	72090	Vehicle Harness 7-Pin	44	78398	Spinner Motor Harness SPEED-CASTER 525



FRAME, AUGER, SPINNER GUARD – 900 cu ft Spreader

Item	Part	Description	Item	Part	Description
13	75901	Motor Kit	56	75679	Auger Kit
15	D6232	Motor Drive Coupler	57	75692	Auger Transmission Kit
53	75905	Frame Kit SPEED-CASTER 900	58	75660	Spinner Drive Cover Kit
54	75687	Side Cover Kit	59	75688	Trim Ring Kit
55	75660	Bearing Kit	60	75690	Spinner Guard Kit

Full parts lists available at www.fisherplows.com: Lit. Nos. 43774 and 43778.

Copyright © 2017 Douglas Dynamics, LLC. All rights reserved. This material may not be reproduced or copied in whole or in part in any printed, mechanical, electronic, film, or other distribution and storage media, without the written consent of Fisher Engineering. Authorization to photocopy items for internal or personal use by Fisher Engineering outlets or spreader owner is granted.

Fisher Engineering reserves the right under its product improvement policy to change construction or design details and furnish equipment when so altered without reference to illustrations or specifications used. Fisher Engineering or the vehicle manufacturer may require or recommend optional equipment for snow removal. Do not exceed vehicle ratings with a spreader. Fisher Engineering offers a limited warranty for all spreaders and accessories. See separately printed page for this important information. The following are registered (®) or unregistered (™) trademarks of Douglas Dynamics, LLC: FISHER™, SPEED-CASTER™.



Fisher Engineering
50 Gordon Drive
Rockland, ME 04841

www.fisherplows.com