

## BLADE COMPONENTS

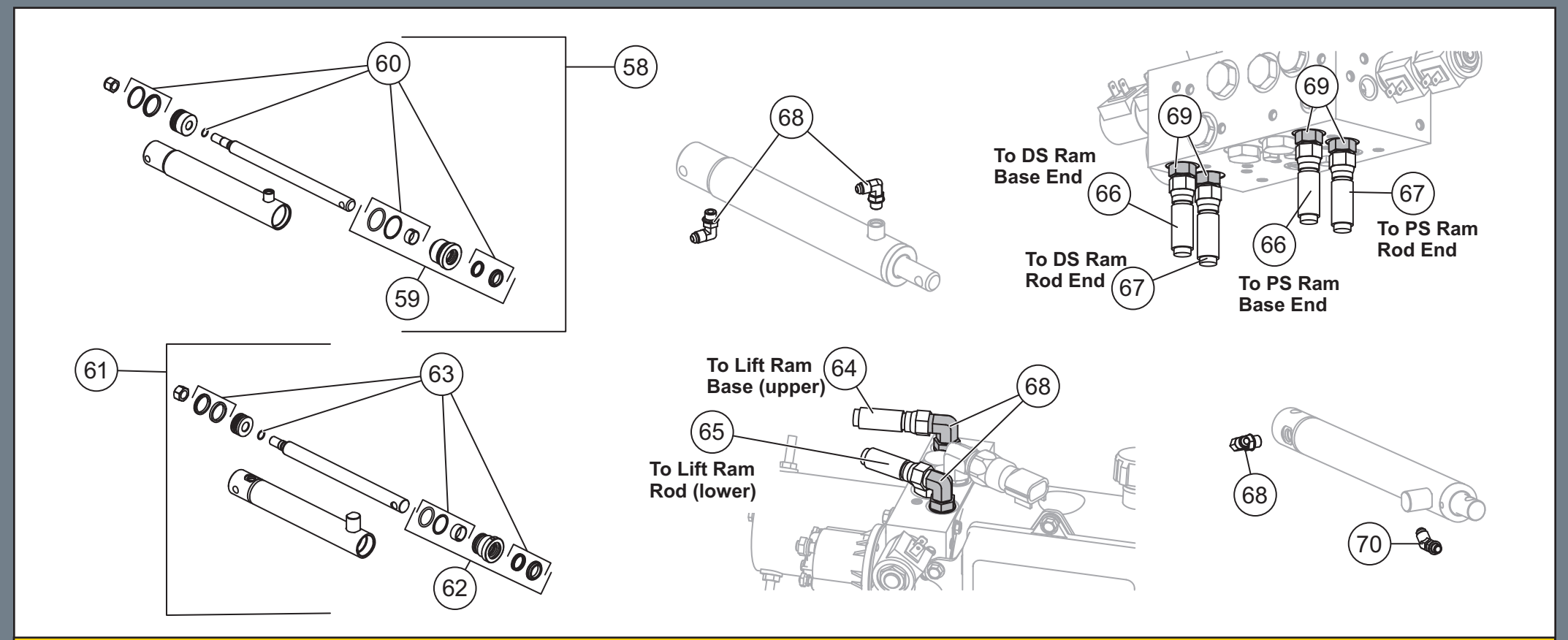
Item	Part	Description	Item	Part	Description
1*	79718	Moldboard Kit w/Fasteners – DS	12	85126	Cutting Edge – One Side (3/8)
1A*	79726	Wing Assembly – DS	13	79977	Center Cutting Edge Kit (3/8)
2*	79719	Moldboard Kit w/Fasteners – PS	14	79972	Center Cutting Edge (3/8) – DS
2A*	79727	Wing Assembly – PS	15	79973	Center Cutting Edge (3/8) – PS
3	43289	Moldboard Fasteners Kit	ns	44763	Bolt Bag – 3/8 & 1/2 Cutting Edges
4	79726	Frame, Base Angle, Spring Assembly – DS	16	59900	Label – Warning/Caution, Snowplows
5	79727	Frame, Base Angle, Spring Assembly – PS	17	52203	Label – Attach/Detach, Automatix®
6	21452	Removable Spring Assembly	18	85115	Label – Logo, SnowEx® SS
7	79731	Base Angle – DS	19	72956	Label – Logo, RDV™ MS
8	79732	Base Angle – PS	20	29256	Label – Warning, Foot Crush Hazard
9	85082	1 x 2-3/4 Clevis Pin w/Cotter	ns	78751	Blade Label Kit, Complete – MS
10	84525	Poly Blade Guide Kit, 24" (set of 2)	ns	78752	Blade Label Kit, Complete – SS
11*	84850	Cutting Edge Kit (for SS) – Complete (3/8)			
	79959	Cutting Edge Kit (for MS) – Complete (3/8)			

ns = not shown MS = Mild Steel SS = Stainless Steel

# Authentic SnowEx RDV™ Snowplows 7'6" V-Plow

PARTS & ACCESSORIES

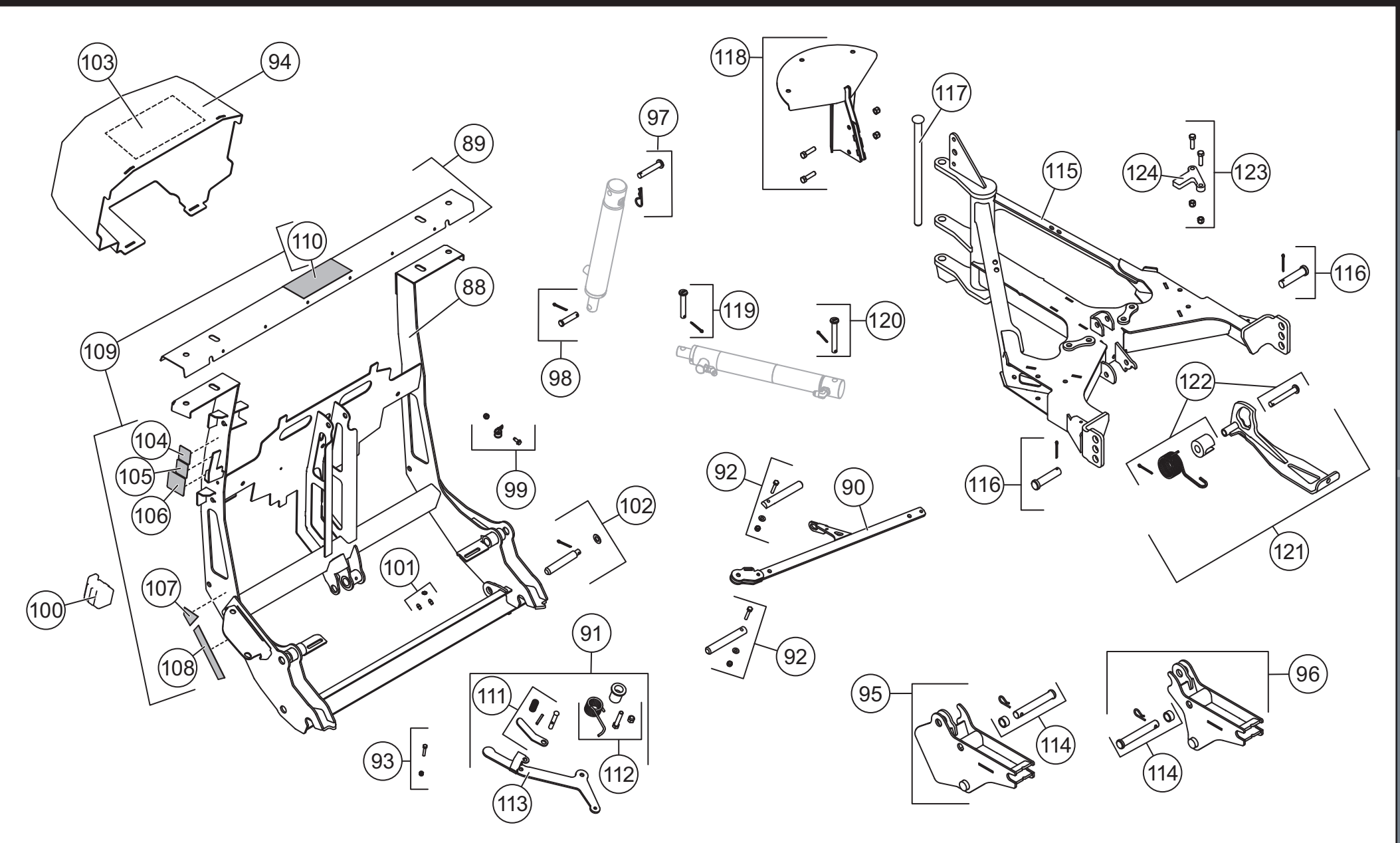
Full Parts List (Lit. No. 74911) available at [www.snowexproducts.com](http://www.snowexproducts.com).



## RAMS, HOSES & FITTINGS

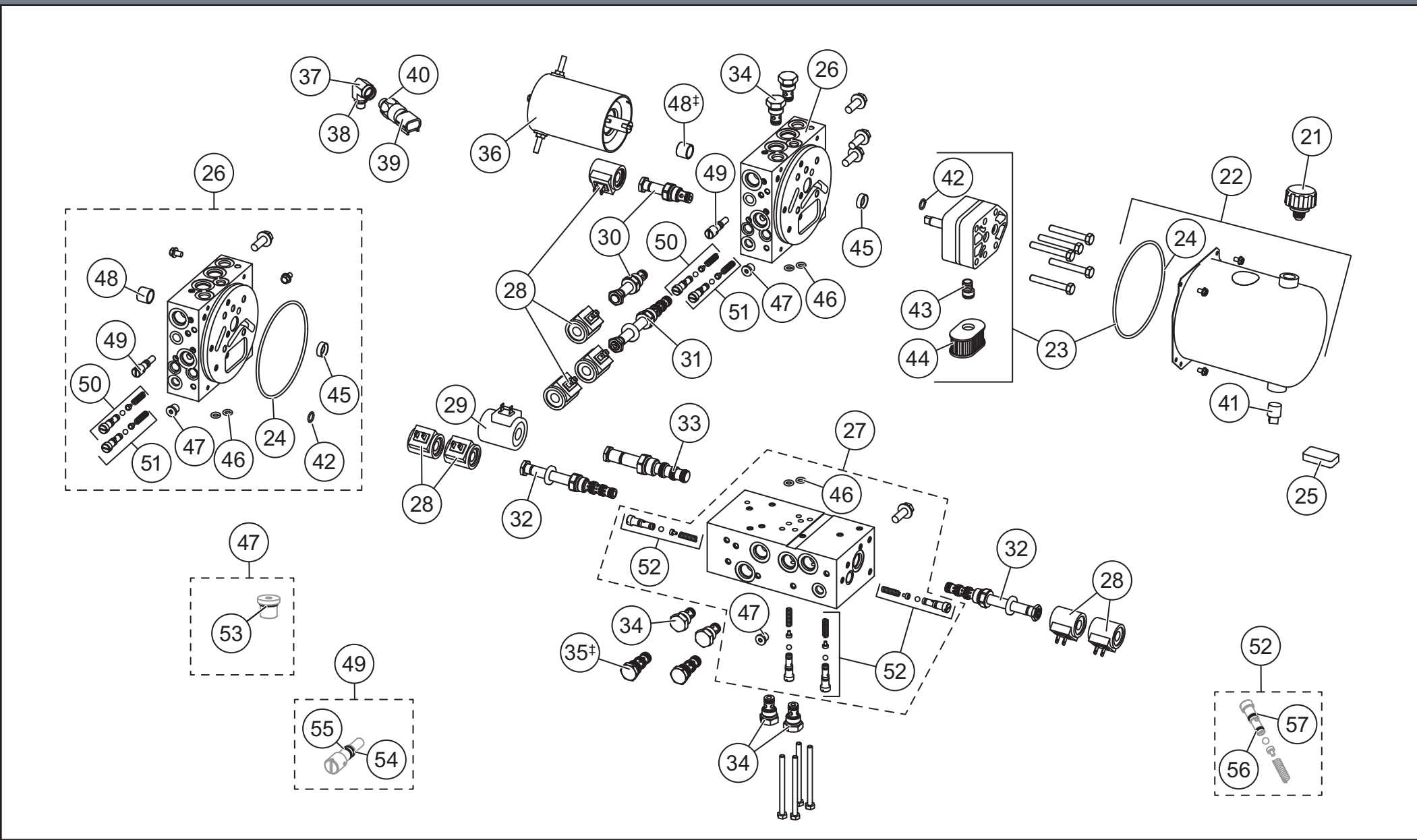
Item	Part	Description	Item	Part	Description
58	77425	Lift Ram Assembly 1-3/4 x 9 DA	65	40570	Hose, 1/4 x 22 w/F JIC Ends
59	77434	Gland Assembly 1"	66	77436	Hose, 1/4 x 26 w/F JIC Ends
60	77435	Seal Kit 1-3/4 DA Ram	67	77437	Hose, 1/4 x 30 w/F JIC Ends
61	77485	Wing Ram Assembly 1-1/2 x 12 DA	68	56615-1	Elbow, 90° – 6 M JIC – 6 M ORB
62	52558	Gland Nut Assembly 1"	69	B60007	Connector – 6 M JIC – 6 M ORB
63	52557	Seal Kit 1-1/2 DA Ram	70	41093	Elbow, 45° – 6 M JIC – 4 M ORB
64	56617	Hose, 1/4 x 14 w/F JIC Ends	ns	56823	Hose Wrap

F = Female ns = not shown M = Male



## LIFT FRAME & T-FRAME

Item	Part	Description	Item	Part	Description
88	79736	Headgear (incl. items 101, 104-108)	107	77717	Label – Logo, Automatix®, Upper Headgear
89	85009	Light Bar Channel	108	77719	Label – Logo, Automatix®, Lower Headgear
90	79753	Link Arm – RDV	109	84647	Headgear Label Kit (items 104-108, 110)
91	79752	Attach Handle Kit	110	84553	Label – Logo, SnowEx Light Bar
92	84603	Attach Pin Kit	111	83633	Attach Handle Release Cam Kit
93	84635	Link Arm/Attach Handle Fastener Kit	112	83636	Torsion Spring/Spacer Kit
94	79759	Hydraulic Cover (incl. item 103)	113	79754	Handle
95	84606	Receiver Kit – DS	114	84611	Receiver Pin Kit
96	84607	Receiver Kit – PS	115	79743	T-Frame, RDV
97	85123	3/4 x 5 Clevis Pin Kit	116	84618	3/4 x 3-1/4 Clevis Pin Kit
98	85198	1/2 x 2-7/8 Clevis Pin Kit	117	51702	Main Pivot Pin
99	84778	Power Cable Clamp Loop Kit	118	79733	Snow Control Kit
100	61246	Cable Boot	119	85198	1/2 x 2-7/8 Clevis Pin Kit
101	84616	Grease Zerk (pkg of 3)	120	83629	1/2 x 3-11/16 Clevis Pin Kit
102	84601	Link Arm/Jack Stand Pin Kit	121	79750	Stand Kit
103	74082	Label – Hydraulic Information, RDV	122	84615	Stand Hardware Kit
104	52206	Label – Power Switch, Automatix	123	79758	Stacking Stop Kit
105	52207	Label – Operation Switch, Automatix	124	79757	Stacking Stop RDV
106	69689	Label – Logo, SECURITY GUARD™			

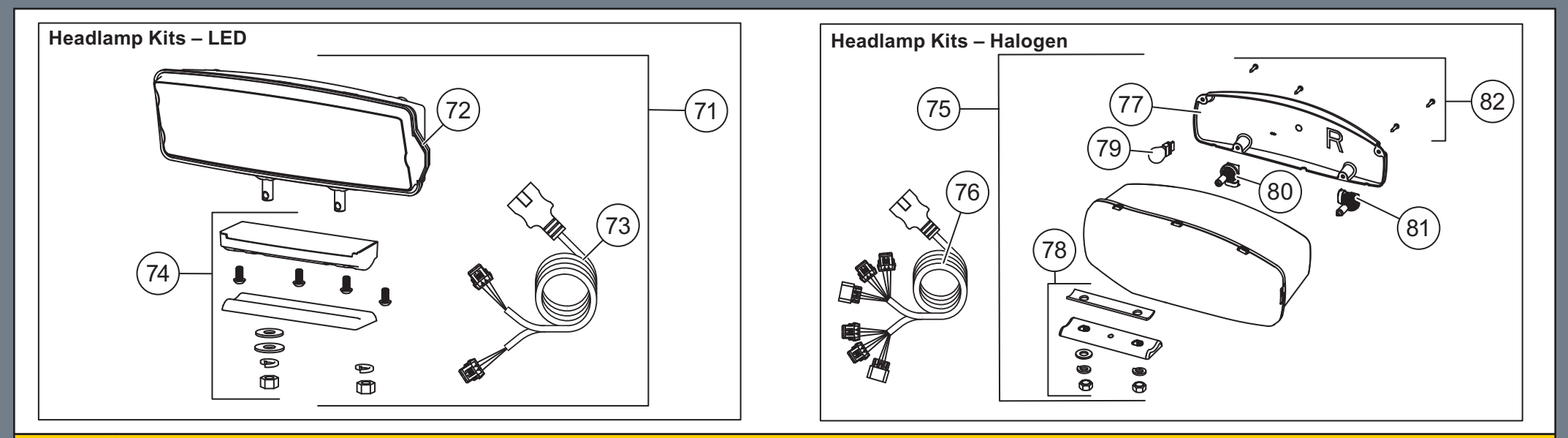


## HYDRAULIC UNIT

Item	Part	Description	Item	Part	Description
21	48278	Breather Pressure Control	43	10887	Hydraulic Pump Inlet Fitting
22	52289	Reservoir Kit	44	48281	Suction Filter
23	52553	Pump Kit	45	66515	Pump Shaft Seal
24	66519	O-Ring 2-250	46	43818	O-Ring -109
25	73897	Magnet	47	44344	Plug, Hex Socket – 4 M ORB
26	77438	Primary Manifold, w/o Valves	48*	56364	Sleeve Bearing
27	77439	Secondary Manifold, w/o Valves	49	48517	Quill
28	52294	Coil w/Spade Terminals	50	52284	Relief Valve Repair Kit (1 set)
29	84901	Coil 10 w/Spacer	51	52282	Relief Valve Kit (1 set)
30	84936	Valve, 2-Way NC w/Rev Flow	52	52283	Relief Valve Kit (2 sets)
31	84937	Valve, 4-Way 3-Pos. w/Nut & Spacer	53	44343	O-Ring -904
32	52285	Valve, 4-Way 3-Position Closed Center w/Nut & Spacer	54	48239	O-Ring -106
33	84900	Valve, 4-Way SV10-43 w/Nut	55	48240	Back-Up Ring -106
34	84934	Check Valve CV08-2059	56	55371	O-Ring -008
35	77391	PO Check Valve	57	25731	O-Ring -010
36	52299	Motor Assembly 3"	ns	84854-1**	Scrape Maxx™ Down Force Kit
37	52295	Elbow, 90° – 4 M ORB / 6 F ORB	ns	52298-2	O-Ring Kit (does not contain O-rings for valves)
38	44343	O-Ring -904	ns	48310	Seal Kit, 2-Way Valves
39	52296	Pressure Switch	ns	48309	Seal Kit, 3-Way and 4-Way Valve
40	56569	O-Ring -906	ns	84909	Seal Kit, Size 10, 3-Way and 4-Way Valve
41	92079	Plug, Square 3/8 NPTF			
42	56274	O-Ring -013			

\*\* Accessory only.  
\* Use 52252 tool for pump shaft seal replacement (includes 1 seal).

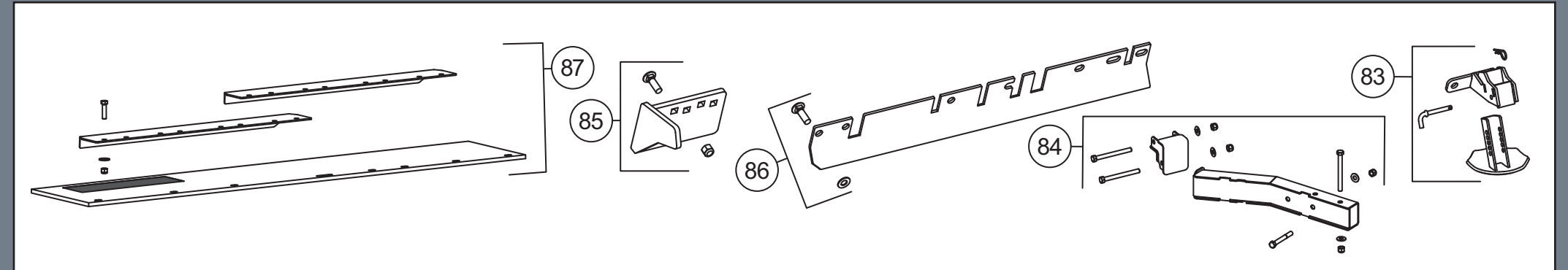
F = Female ns = not shown M = Male



## HEADLAMPS

Item	Part	Description	Item	Part	Description
71	72525	Headlamp Kit LED	76	38807	Harness Service Kit H9/H11
72	39901	Headlamp Service Kit LED – DS	77	38803	Rear Cover Kit H9/H11 – PS
ns	39902	Headlamp Service Kit LED – PS	ns	38812	Rear Cover Kit H9/H11 – DS
73	72548	Mounting Hardware Kit LED	78	38804	Mounting Hardware Kit H9/H11
74	39903	Mounting Hardware Kit LED	79	-	Park/Turn Bulb (trade no. 4157NAK)
ns	38800	Headlamp Kit H9/H11 – Pair	80	38811	Headlamp Bulb Service Kit H11
75	38802	Headlamp Service Kit H9/H11 – PS	81	38809	Headlamp Bulb Service Kit H9
ns	38801	Headlamp Service Kit H9/H11 – DS	82	38808	Cover Screws Service Kit H9/H11 (pkg of 4)

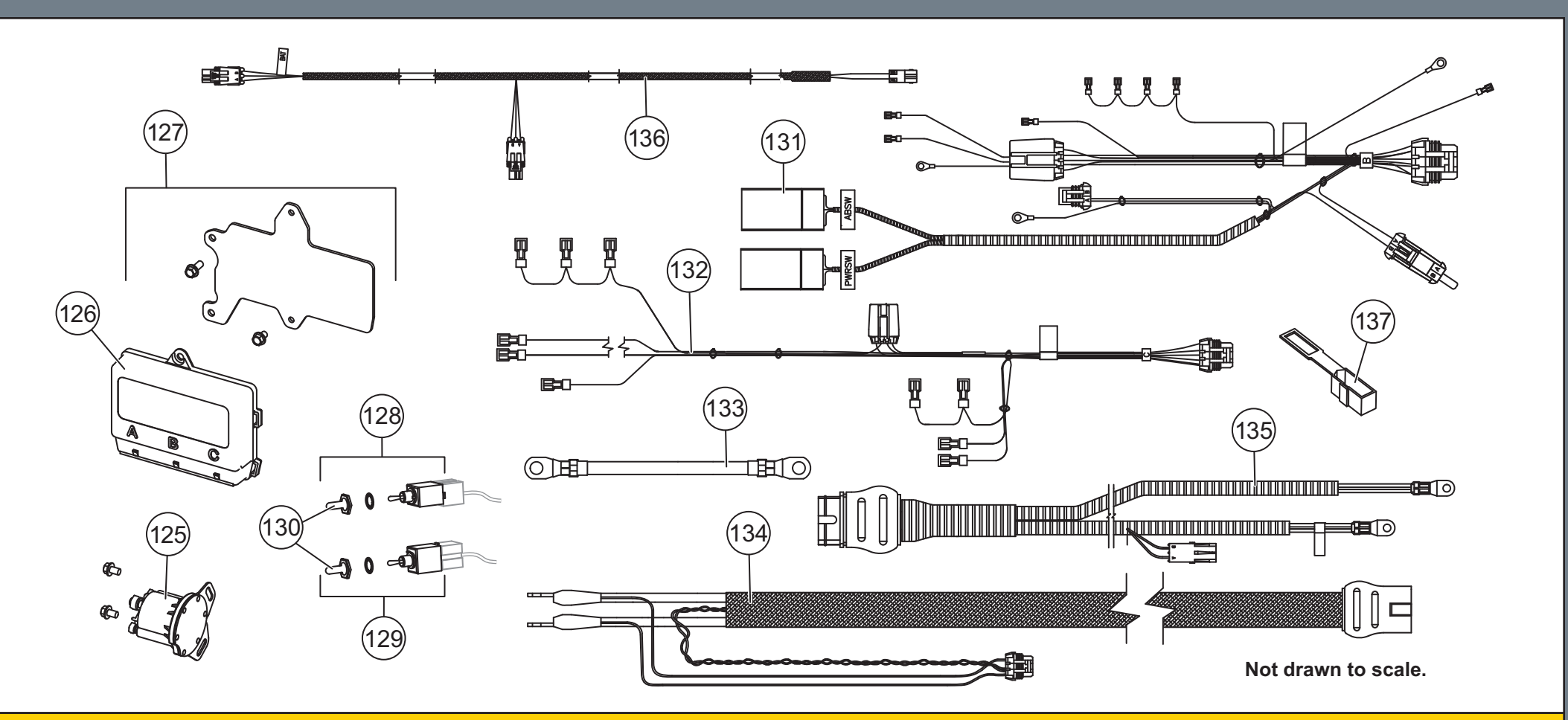
ns = not shown



## BLADE ACCESSORIES

Item	Part	Description	Item	Part	Description
83	74519	Shoe Kit (set of 2)	ns	85127	Cutting Edge (1/2) – One Side
84	74528	Blade Stop Kit (set of 2)	ns	44894-1	Center Cutting Edge Kit (1/2)
85	43885	Seal Kit, 3-Way Valves	ns	79370	Center Cutting Edge (1/2) – DS
86	44281-4	Back Drag Edge Kit	ns	79371	Center Cutting Edge (1/2) – PS
87	79993	Rubber Deflector Kit – 10"	ns	86867	Poly Cutting Edge Kit (5/8)
ns	84477	Poly Blade Guide Kit – 36" (set of 2)	ns	90413	Cutting Edge, Poly – DS
ns	79960	Cutting Edge Kit (1/2) – Complete	ns	90438	Cutting Edge, Poly – PS

ns = not shown



## ELECTRICAL COMPONENTS

Item	Part	Description	Item	Part	Description
125	52290	Motor Relay	133	29071	Cable Assembly 8"
126	52292-2	Plow Module	134	52291	Plow Battery Cable
127	52293-1	Module Plate w/Hardware	135	72527	Vehicle Battery Cable
128	40575	Toggle Switch (MOM-ON, OFF, ON)	136	28587	Vehicle Control Harness
129	40576	Toggle Switch (MOM-ON, OFF, MOM-ON)	137	48325	Plug Cover
130	48259	Switch Boot	ns	-	Fuse, 5A Mini Automotive-Style
131	70448	Harness Plow Control, 4-Coil	ns	-	Fuse, 4A Mini Automotive-Style
132	72038	Harness Plow Control, 5-Coil			

ns = not shown

Copyright © 2020 Douglas Dynamics, LLC. All rights reserved. This material may not be reproduced or copied, in whole or in part, in any printed, mechanical, electronic, film, or other distribution and storage media, without the written consent of TrynEx International, LLC. Authorization to photocopy items for internal or personal use by TrynEx International outlets or snowplow owner is granted.

TrynEx International reserves the right under its product improvement policy to change construction or design details and furnish equipment when so altered without reference to illustrations or specifications used. TrynEx International or the vehicle manufacturer may require or recommend optional equipment for snow removal. Do not exceed vehicle ratings with a snowplow. TrynEx International offers a limited warranty for all snowplows and accessories. See separately printed page for this important information. The following are registered (®) or unregistered (™) trademarks of Douglas Dynamics, LLC: Automatix®, RDV™, Scrape Maxx™, SECURITY GUARD™, SnowEx®.



TrynEx International, LLC  
531 Ajax Drive  
Madison Heights, MI 48071-2429  
[www.snowexproducts.com](http://www.snowexproducts.com)