



PRODIGY[™]

PRO PLUS[®]

**PRODIGY[™] & PRO PLUS[®]
Skid Steer Snowplows
w/ Oscillating A-Frame**

PRODIGY Blade Assembly 57700

PRO PLUS Blade Assembly 76901, 76974, 76980

**PRODIGY Oscillating A-Frame / Attachment Plate,
Hydraulics 57320**

**PRO PLUS Oscillating A-Frame / Attachment Plate,
Hydraulics 75220**

Parts List

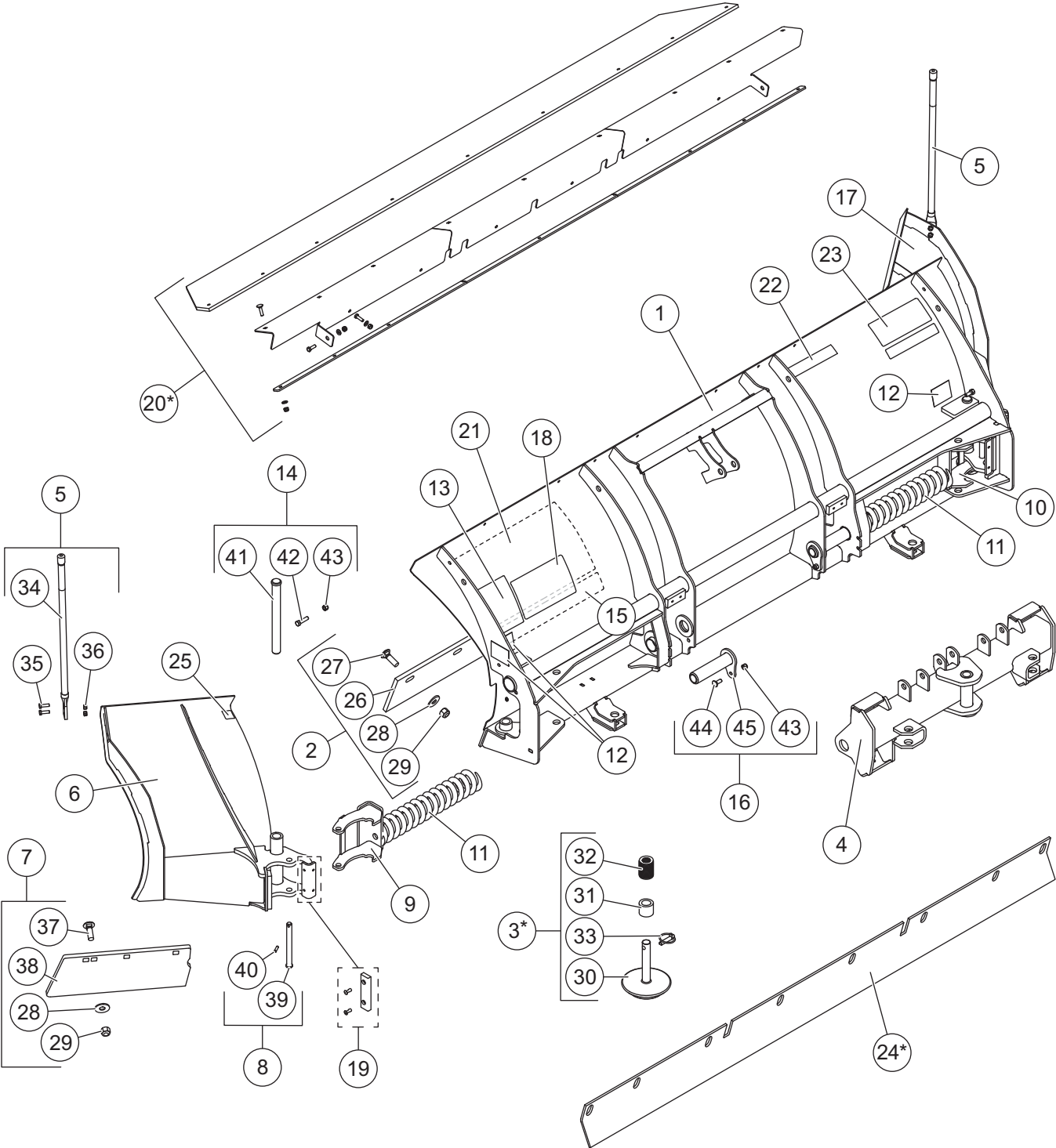


TABLE OF CONTENTS

PRODIGY™ BLADE	4
Blade Components	4
A-Frame Components	8
PRO PLUS® BLADES	10
Blade Components	10
A-Frame Components	12
ANGLE RAM COMPONENTS	14
HYDRAULIC COMPONENTS	15

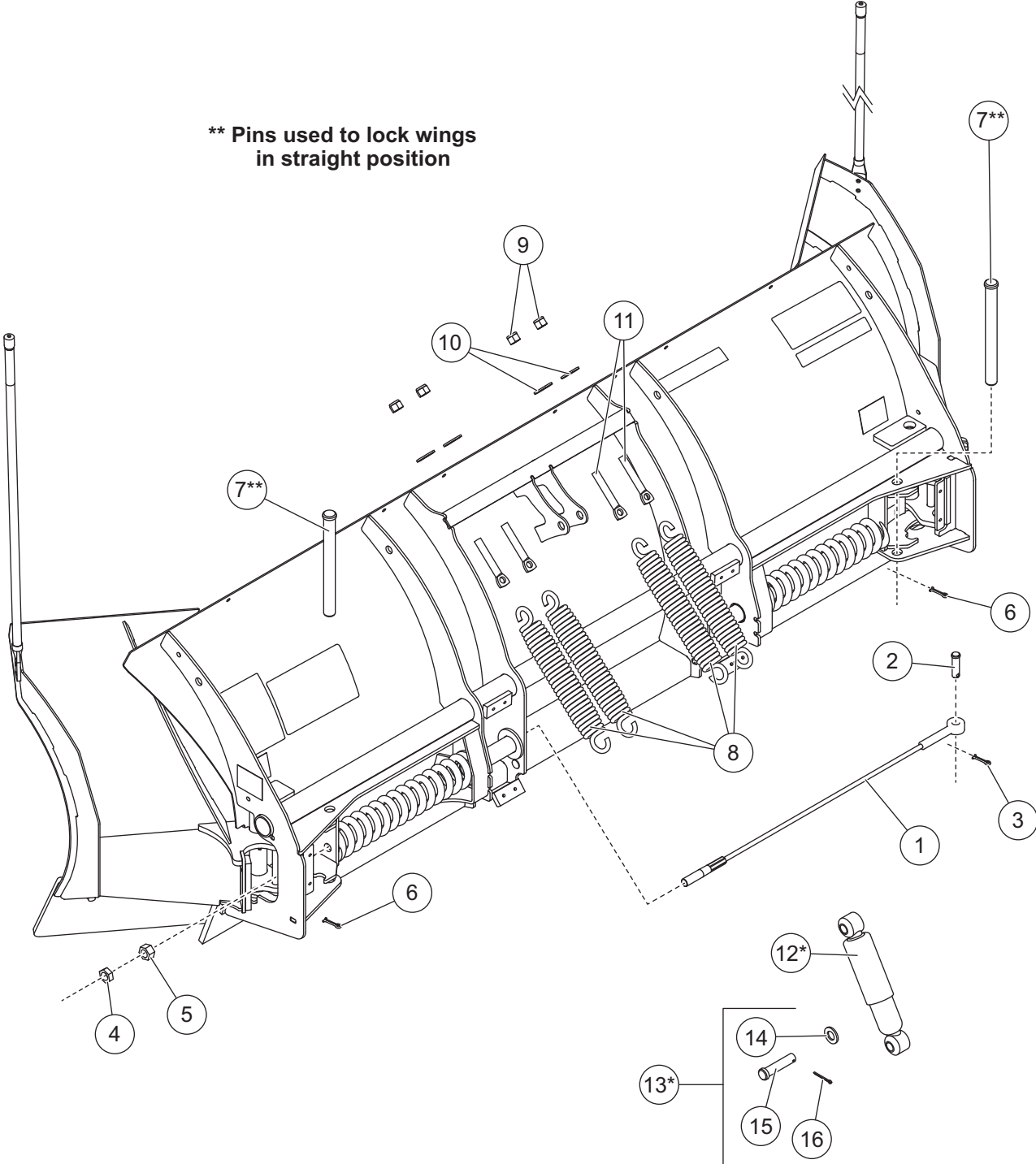
SKID STEER SNOWPLOW PRODIGY™ BLADE – 57320

Blade Components



SKID STEER SNOWPLOW PRODIGY™ BLADE – 57320

Blade Components



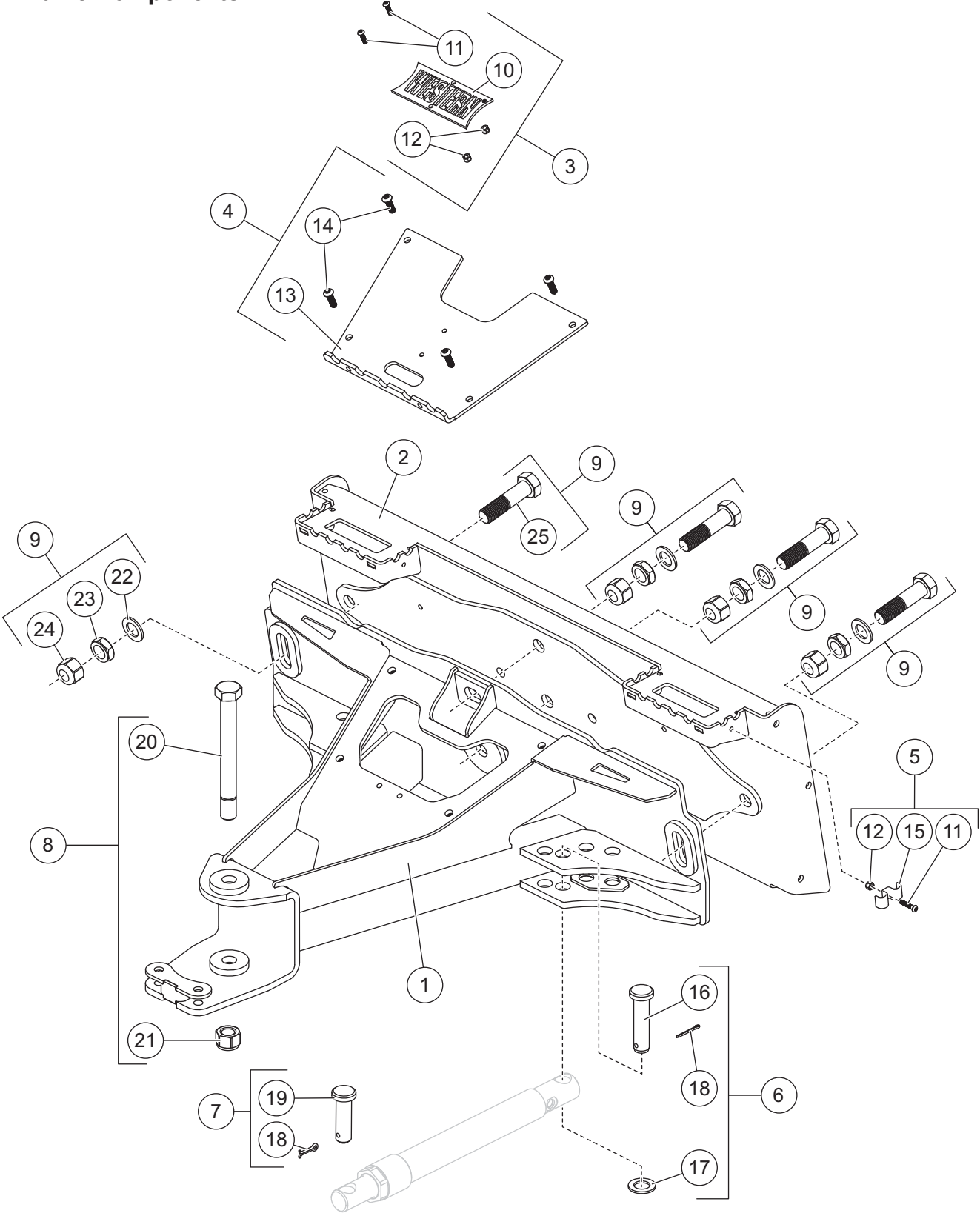
SKID STEER SNOWPLOW PRODIGY™ BLADE – 57320

PRODIGY Blade Components							
Item	Part	Qty	Description	Item	Part	Qty	Description
1	42389	2	Cable Assembly w/Hardware (incl. items 2, 3, 4, and 5)	7	42738	2	3/4 x 9 Clevis Pin
2	B61563	2	0.625 x 2.33 Clevis Pin	8	23039	4	Trip Spring
3	90601	2	1/4 x 1-1/2 Cotter Pin	9	91416	4	5/8-11 Hex Nut G5
4	B61615	2	3/4-10 Hex Jam Nut	10	90576	4	5/8 Hardened Flat Washer
5	B61343	2	3/4-10 Hex Nut	11	90490	4	5/8-11 x 4 Eyebolt G2
6	91962	2	1/8 Hairpin Cotter	12*	63979	1	Shock Absorber
				13*	93063K	2	Shock Absorber Hardware Kit
Item 13*				93063K Shock Absorber Hardware Kit			
14		2	3/4 Flat Washer	16		2	5/32 x 1-1/2 Cotter Pin
15		2	3/4 x 3-1/4 Clevis Pin				
G = Grade							

* Accessory only.

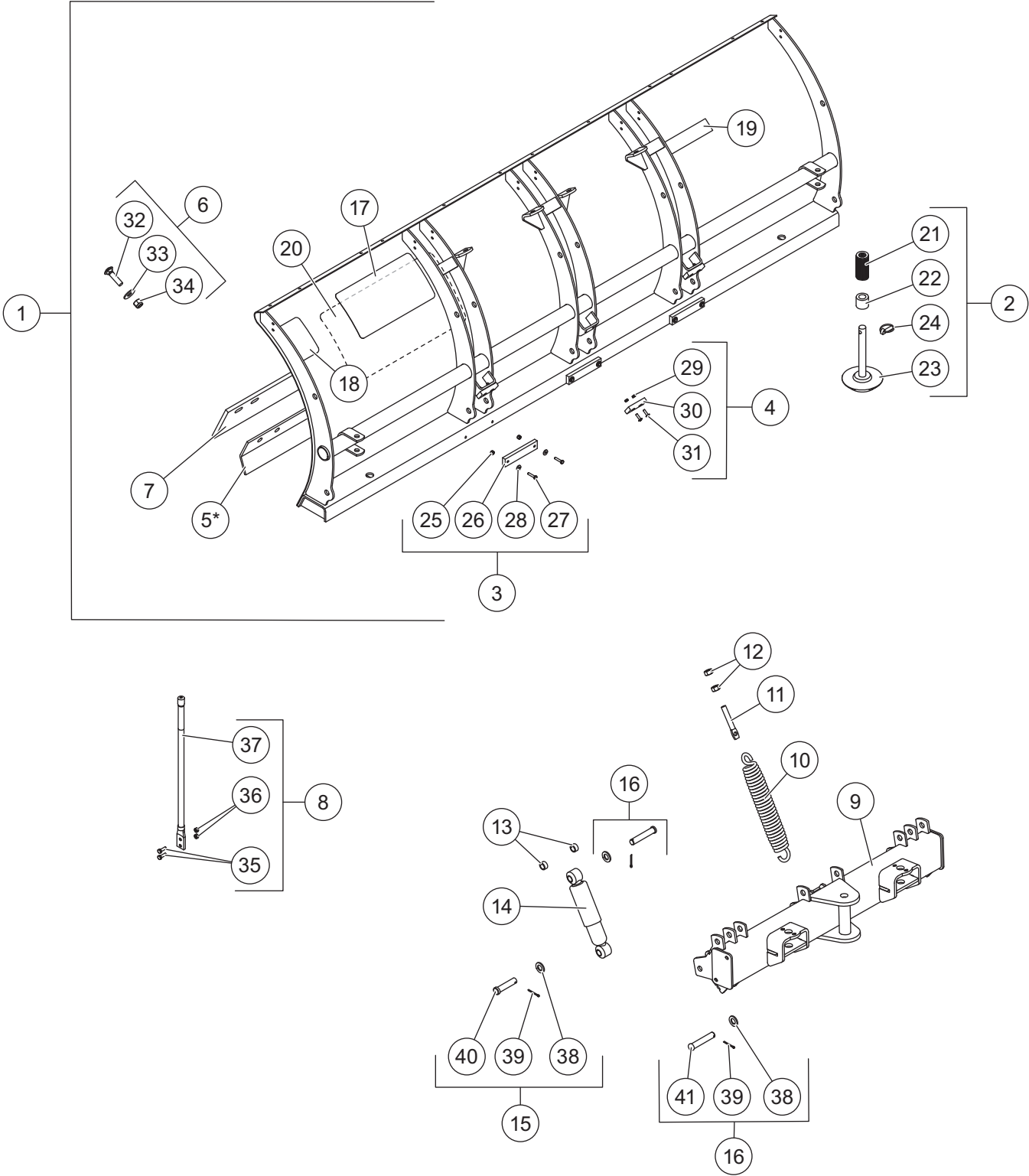
SKID STEER SNOWPLOW PRODIGY™ BLADE – 57320

A-Frame Components



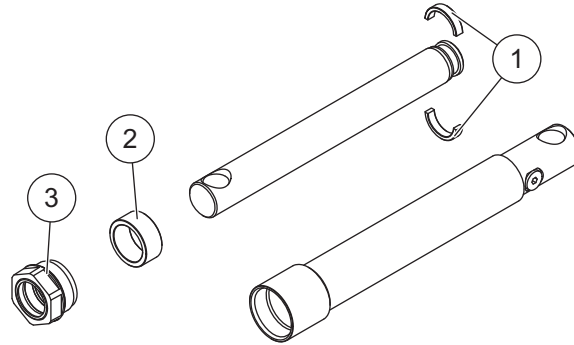
SKID STEER SNOWPLOW PRO PLUS® BLADE – 75220

Blade Components



SKID STEER SNOWPLOW – 57320/75220

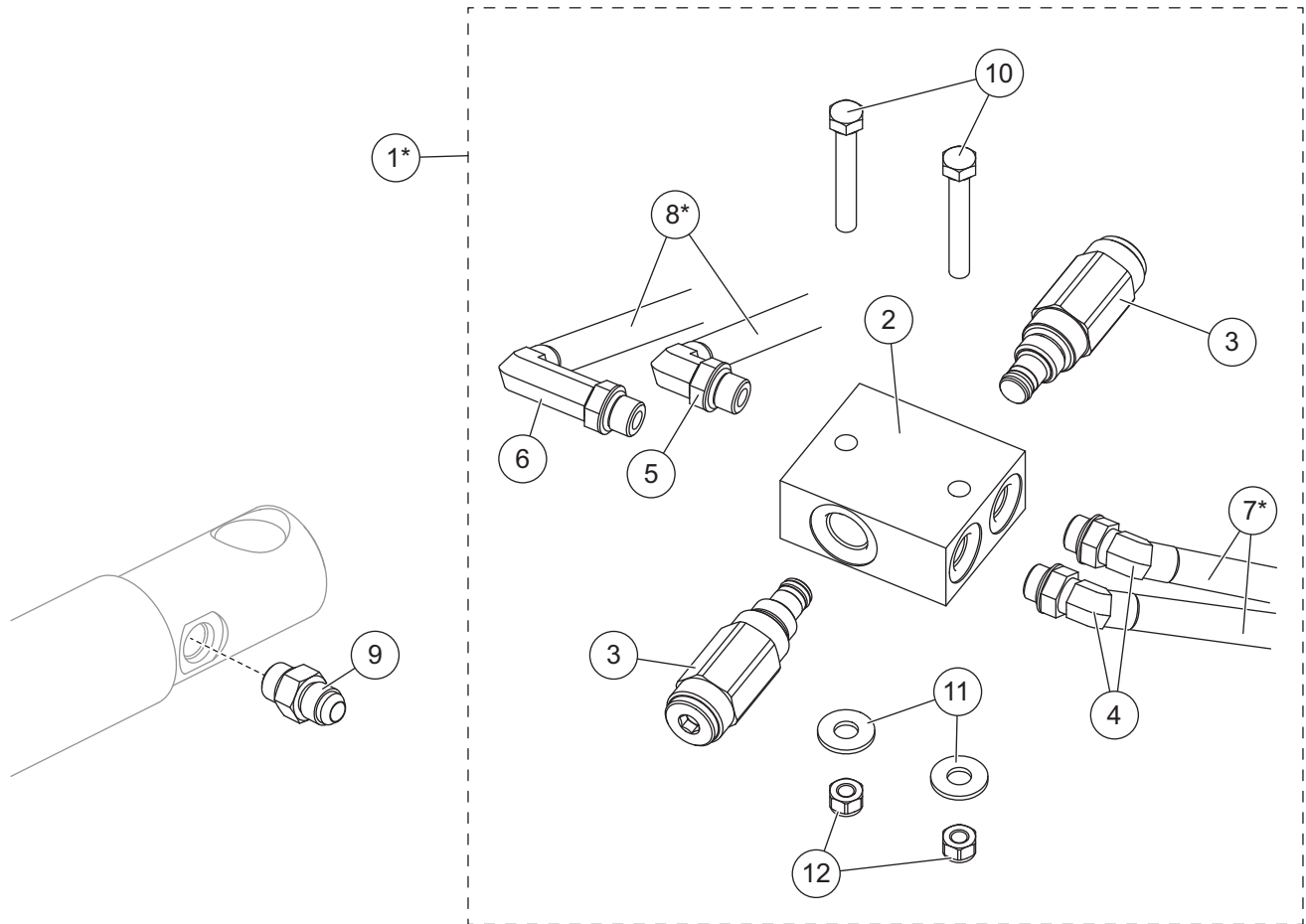
Angle Ram Components



64148 Angle Ram Assembly 1-1/2 x 12 (PRO PLUS®)							
49460 Angle Ram Assembly 1-1/2 x 10 (PRODIGY™)							
Item	Part	Qty	Description	Item	Part	Qty	Description
1	64650	2	Split Bearing 1-1/2"	3	48985	1	Gland Nut Assembly
2	56537	1	Spacer				

SKID STEER SNOWPLOW – 57320/75220

Hydraulic Components



Hydraulic Components							
Item	Part	Qty	Description	Item	Part	Qty	Description
1*	57982	1	Relief Manifold w/Valves, Fittings & Hardware	6	64212-1	1	Elbow, Extra Long 90° –6 M JIC/ –6 M ORB
2	57984	1	Relief Manifold	7*	57965	2	Hose, 3/8 x 84 w/F JIC Ends
3	57895	2	Relief Valve, 3300 psi	8*	49496	2	Hose, 3/8 x 42 w/F JIC Ends
4	57877	2	Elbow, Special, 45° –6 M JIC/ –6 M ORB	ns	57983	1	Hardware Bag
5	56615-1	1	Elbow, 90° –6 M JIC/–6 M ORB	ns	57893	1	1/2 Coupler Set (accessory only)
				9	43750	2	Connector, Short –6 M JIC/–6 M ORB
57983 Hardware Bag							
10		2	5/16-18 x 2-1/4 Hex Cap Screw G5	12		2	5/16-18 Hex Locknut
11		2	5/16 Flat Washer				
F = Female		M = Male		G = Grade		ns = not shown	

* Hoses not included in item 1.



Western Products
PO Box 245038
Milwaukee, WI 53224-9538
www.westernplows.com

 A DIVISION OF DOUGLAS DYNAMICS, LLC

Copyright © 2021 Douglas Dynamics, LLC. All rights reserved. This material may not be reproduced or copied, in whole or in part, in any printed, mechanical, electronic, film, or other distribution and storage media, without the written consent of Western Products. Authorization to photocopy items for internal or personal use by Western Products outlets or snowplow owner is granted.

Western Products reserves the right under its product improvement policy to change construction or design details and furnish equipment when so altered without reference to illustrations or specifications used. Western Products or the vehicle manufacturer may require or recommend optional equipment for snow removal. Do not exceed vehicle ratings with a snowplow. Western Products offers a limited warranty for all snowplows and accessories. See separately printed page for this important information. The following are registered (®) or unregistered (™) trademarks of Douglas Dynamics, LLC: CONTRACTOR GRADE®, PRO PLUS®, PRODIGY™, ULTRAFINISH™, WESTERN®.

Printed in U.S.A.