



SPEEDWING™ & HD Series Skid Steer Snowplows w/ Oscillating A-Frame

**HD Blade Assembly 77720, 77725, 77730, 77735,
77720-1, 77725-1, 77730-1, 77735-1**

SPEEDWING Blade Assembly 77740

**HD Oscillating A-Frame/
Attachment Plate & Hydraulics 77830**

**SPEEDWING Oscillating A-Frame/
Attachment Plate & Hydraulics 77835**

Parts List

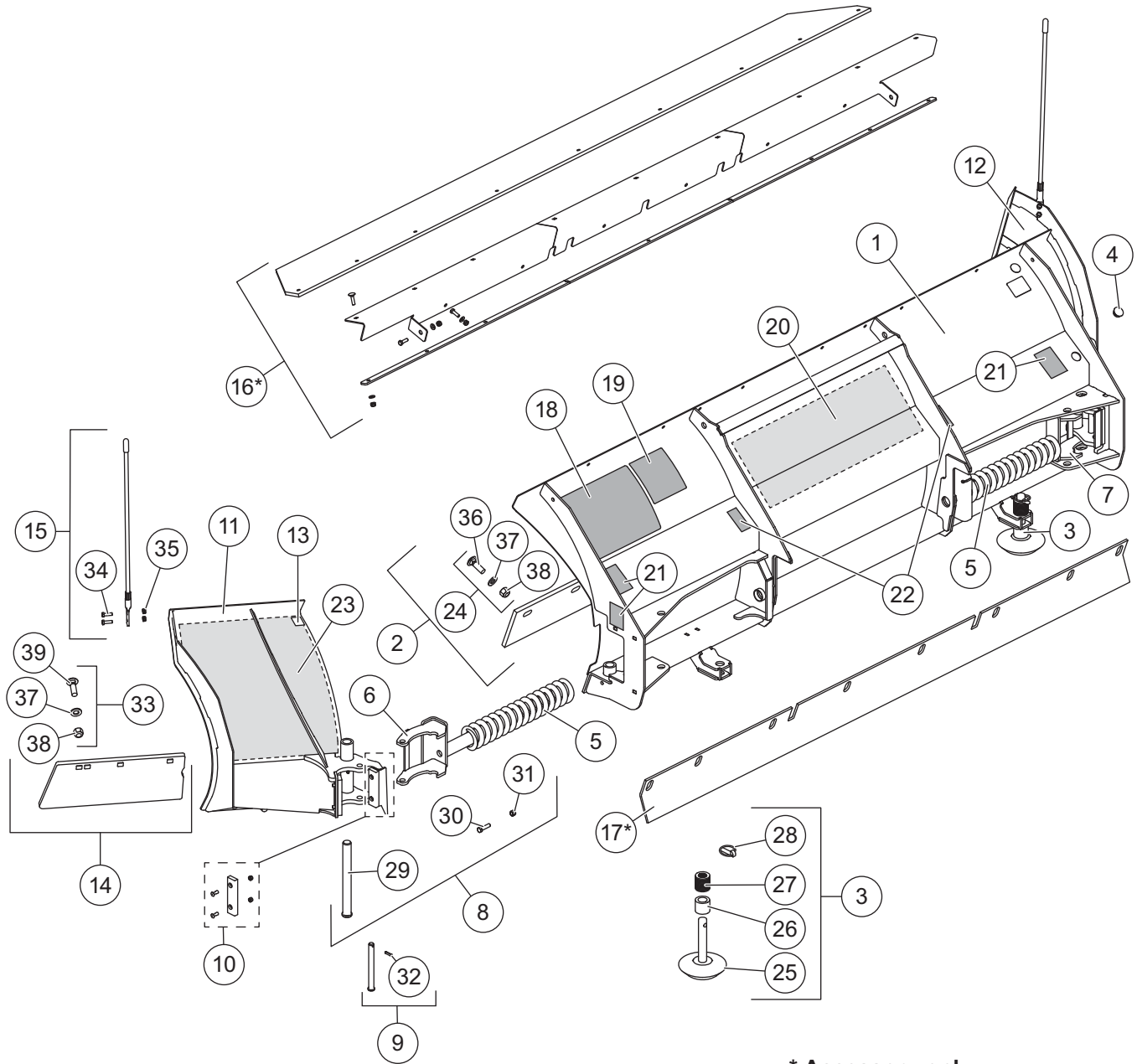


TABLE OF CONTENTS

SKID STEER – SPEEDWING™ BLADE	4
Blade Components	4
Quadrant Components	7
SKID STEER – HEAVY DUTY STRAIGHT BLADE	8
Blade and Quadrant Components	8
A-FRAME COMPONENTS	10
ANGLE RAM COMPONENTS	12
HYDRAULIC COMPONENTS	13

SKID STEER – SPEEDWING™ BLADE

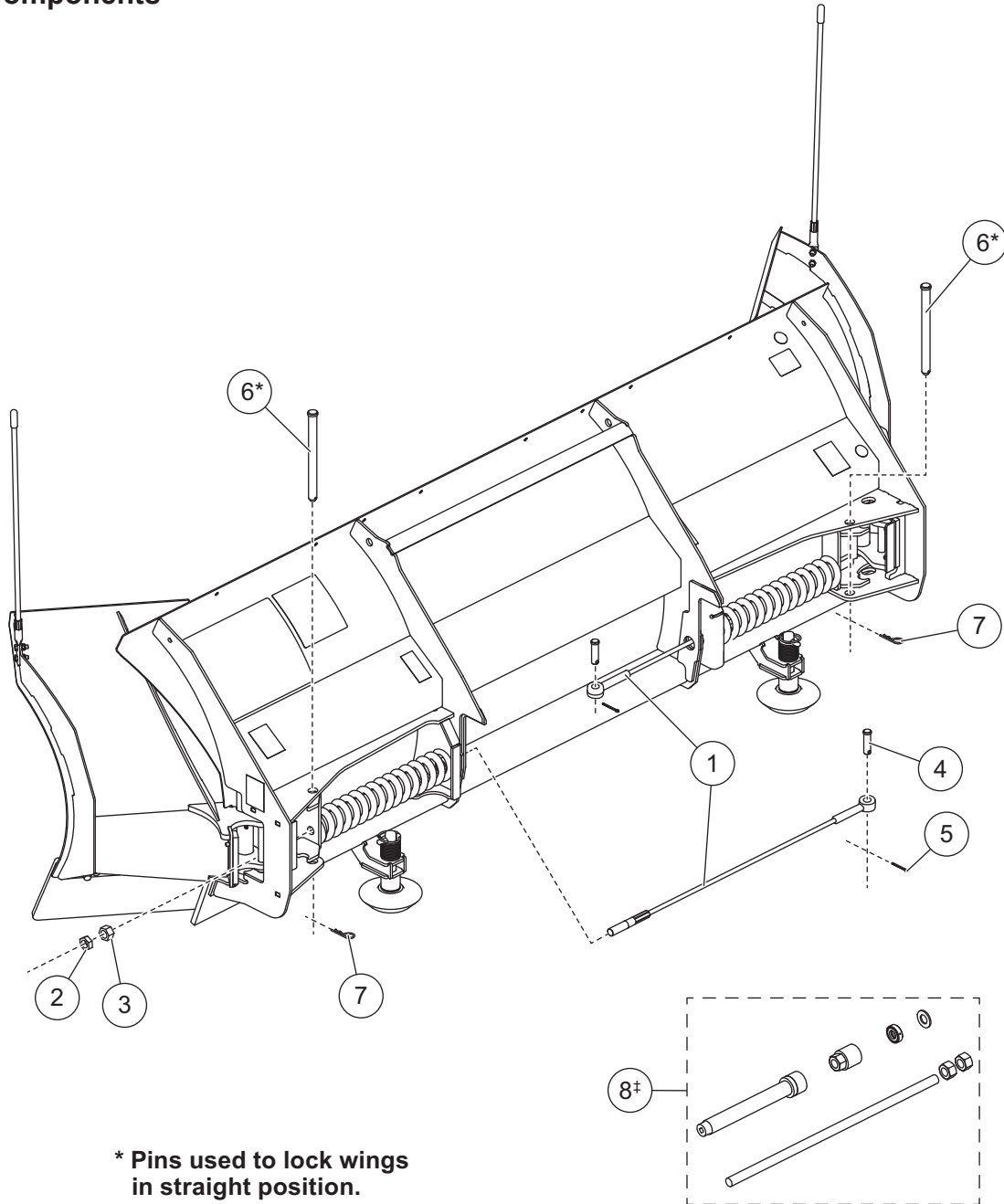
Blade Components



* Accessory only.

SKID STEER – SPEEDWING™ BLADE

Blade Components

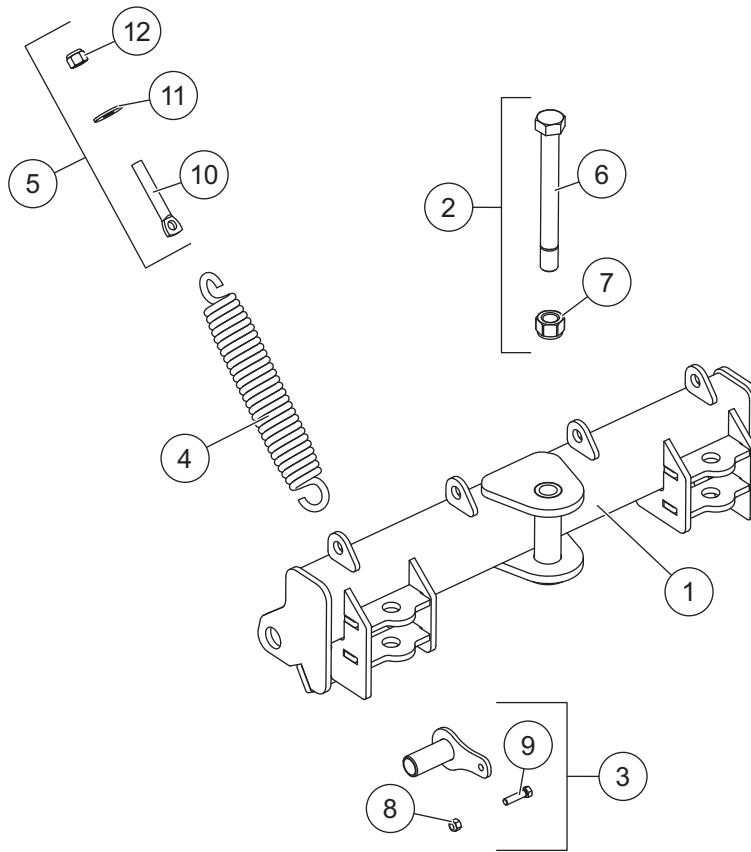


Blade Components – SPEEDWING							
Item	Part	Qty	Description	Item	Part	Qty	Description
1	42389	2	Cable Assembly w/Hardware (incl. items 2-5)	5	90601	2	1/4 x 1-1/2 Cotter Pin
2	B61615	2	3/4-10 Hex Jam Nut	6	42738	2	3/4 x 9 Clevis Pin
3	B61343	2	3/4-10 Hex Nut	7	91962	2	1/8 Hairpin Cotter
4	B61563	2	0.625 x 2.33 Clevis Pin	8†	69780	-	Wing Spring Removal Tool

† Service tool.

SKID STEER – SPEEDWING™ BLADE

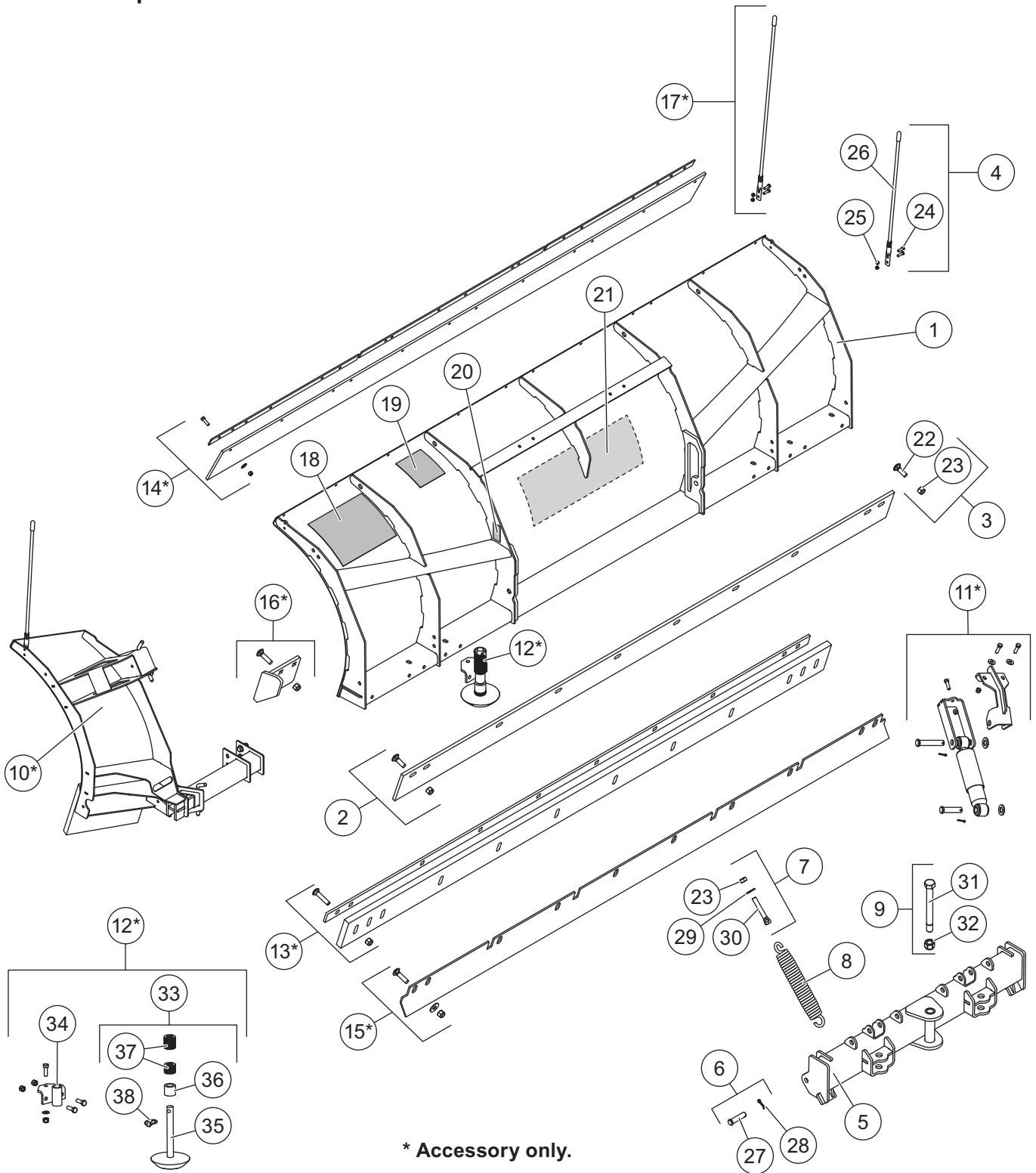
Quadrant Components



Quadrant Components – SPEEDWING							
Item	Part	Qty	Description	Item	Part	Qty	Description
1	84577	1	Quadrant – SPEEDWING	4	23039	4	Trip Spring
2	49768	1	Pivot Bolt Kit	5	83990	4	Trip Spring Eyebolt Kit
3	42388	2	Pivot Bushing Kit				
Item 2				49768 Pivot Bolt Kit			
6		1	1-8 x 9 Hex Cap Screw G5, Special	7		1	1-8 Hex Locknut GB
Item 3				42388 Pivot Bushing Kit			
		1	Blade Pivot Pin	9		2	3/8-16 x 1-1/2 Hex Cap Screw G5
8		2	3/8-16 Hex Locknut GB				
Item 5				83990 Trip Spring Eyebolt Kit			
10		4	5/8-11 x 4 Eyebolt G2	12		4	5/8-11 Hex Locknut GB
11		4	5/8 Hardened Flat Washer				
G = Grade							

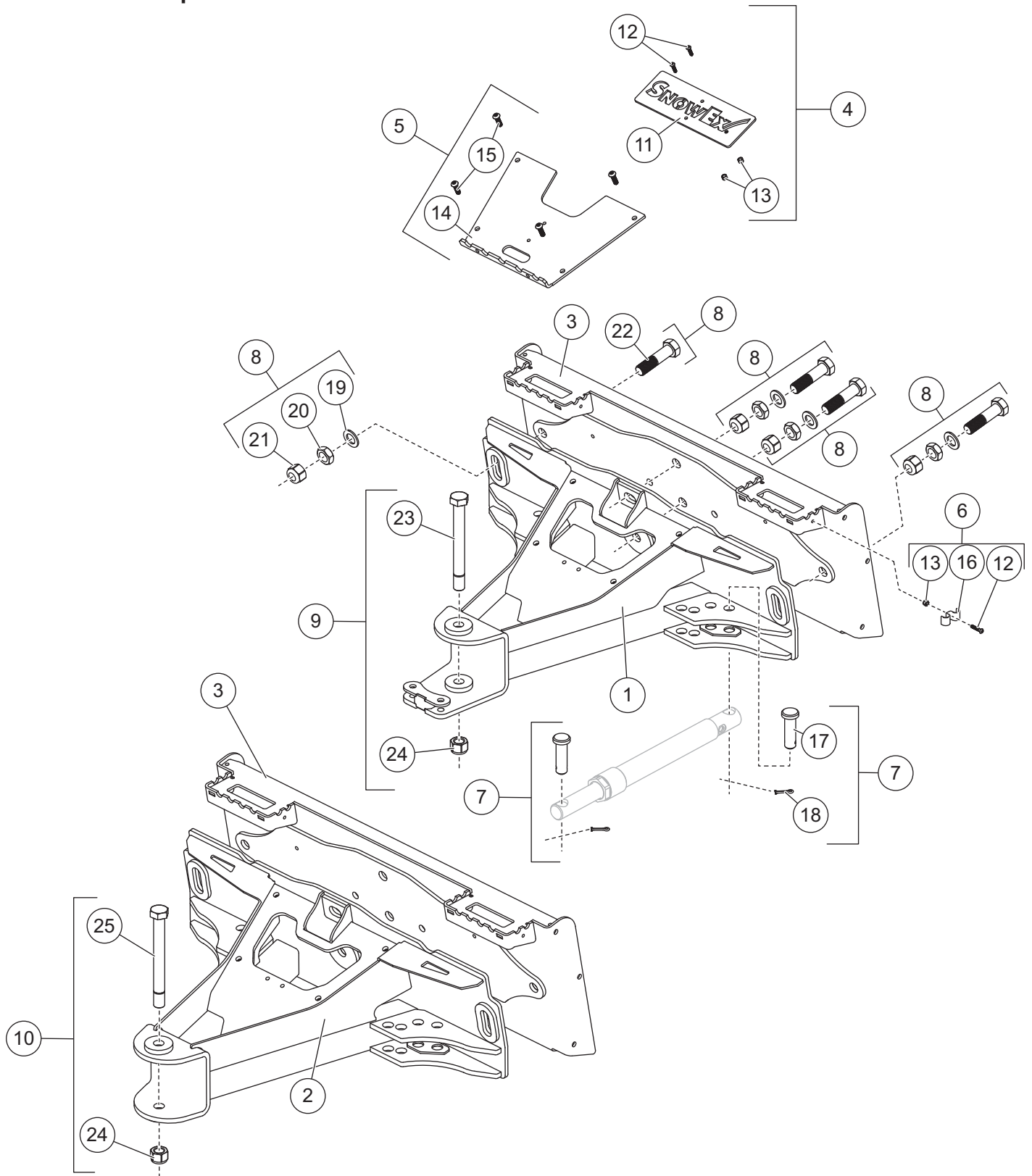
SKID STEER – HEAVY DUTY STRAIGHT BLADE

Blade Components – HD



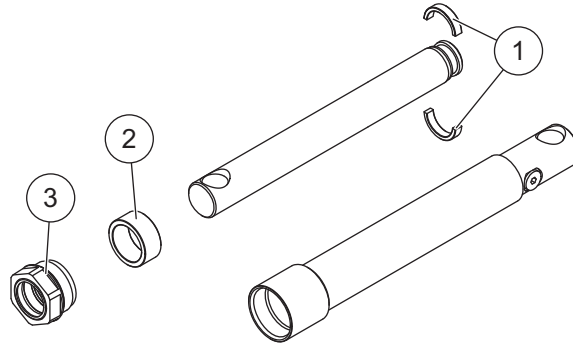
SKID STEER – A-FRAME COMPONENTS

A-Frame Components



SKID STEER – ANGLE RAMS

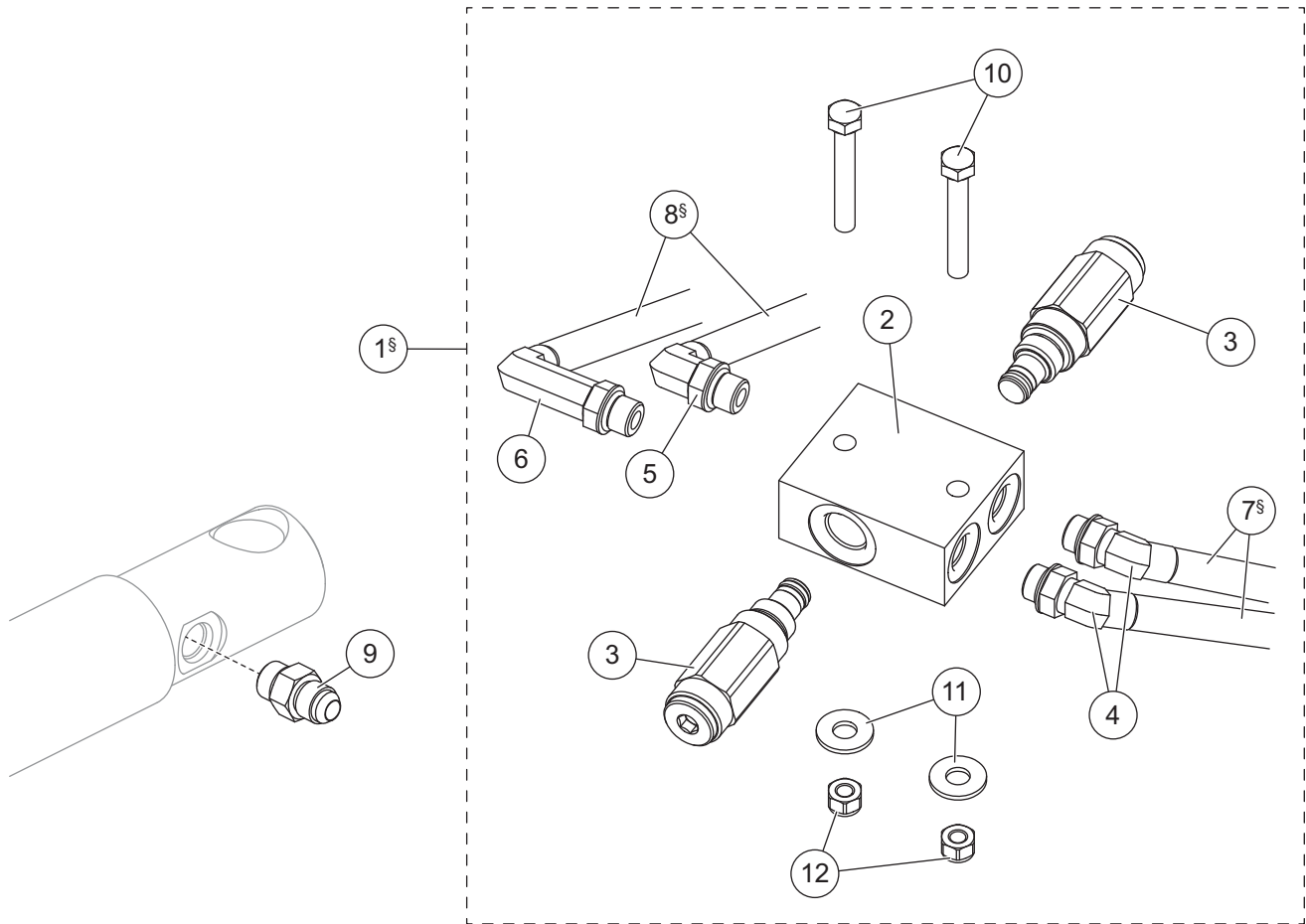
Angle Ram Components



84421 Angle Ram Assembly 1-1/2 x 12							
Item	Part	Qty	Description	Item	Part	Qty	Description
1	57879	1	Split Bearing Kit 1-1/2 (2 bearings)	3	48985	1	Gland Nut Assembly
2	56537	1	Spacer				

SKID STEER – HYDRAULIC COMPONENTS

Hydraulic Components



Hydraulic Components							
Item	Part	Qty	Description	Item	Part	Qty	Description
1 [§]	57982	1	Relief Manifold w/Valves, Fittings & Hardware	6	40572	1	Elbow, Extra Long 90° –6 M JIC/ –6 M ORB
2	57984	1	Relief Manifold	7 [§]	57965	2	Hose, 3/8 x 84 w/F JIC Ends
3	57895	2	Relief Valve, 3300 psi	8 [§]	49496	2	Hose, 3/8 x 42 w/F JIC Ends
4	57877	2	Elbow, Special 45° –6 M JIC/ –6 M ORB	ns	57983	1	Hardware Bag
5	40571	1	Elbow, 90° –6 M JIC/–6 M ORB	ns	57893	1	1/2 Coupler Set (accessory only)
				9	B60007	2	Connector, Short –6 M JIC/–6 M ORB
57983 Hardware Bag							
10		2	5/16-18 x 2-1/4 Hex Cap Screw G5	12		2	5/16-18 Hex Locknut
11		2	5/16 Flat Washer				
F = Female		M = Male		ns = not shown		G = Grade	

[§] Hoses not included in item 1.



TrynEx International
531 Ajax Drive
Madison Heights, MI 48071-2429
www.snowexproducts.com

 A DIVISION OF DOUGLAS DYNAMICS, LLC

Copyright © 2021 Douglas Dynamics, LLC. All rights reserved. This material may not be reproduced or copied, in whole or in part, in any printed, mechanical, electronic, film, or other distribution and storage media, without the written consent of TrynEx International, LLC. Authorization to photocopy items for internal or personal use by TrynEx International outlets or snowplow owner is granted.

TrynEx International reserves the right under its product improvement policy to change construction or design details and furnish equipment when so altered without reference to illustrations or specifications used. TrynEx International or the vehicle manufacturer may require or recommend optional equipment for snow removal. Do not exceed vehicle ratings with a snowplow. TrynEx International offers a limited warranty for all snowplows and accessories. See separately printed page for this important information. The following are registered (®) or unregistered (™) trademarks of Douglas Dynamics, LLC: SnowEx®, SPEEDWING™.

Printed in U.S.A.