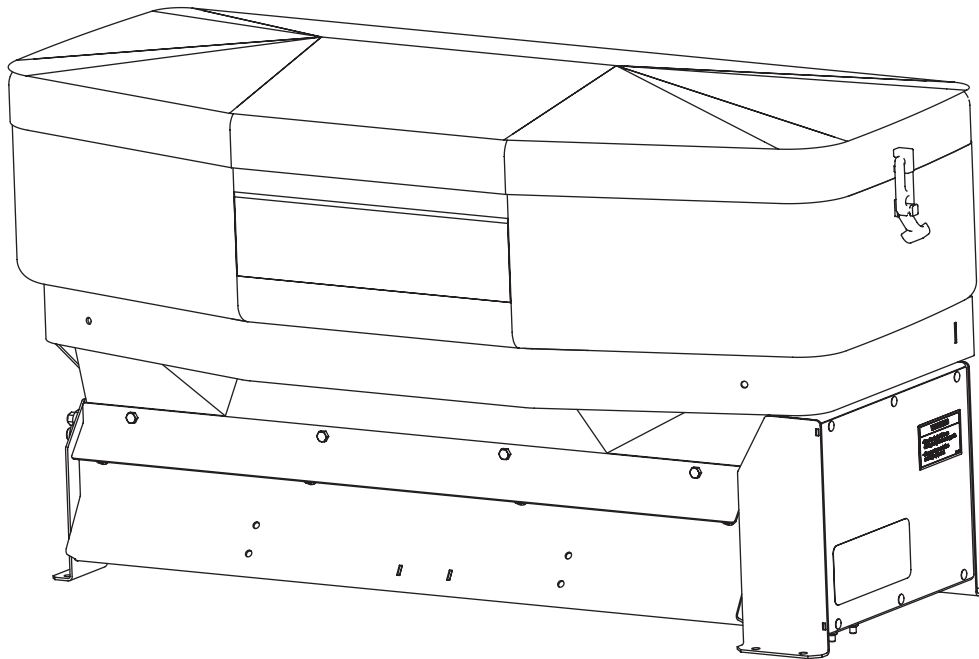




Drop Pro™ 600 Drop Spreader

SD-600-1

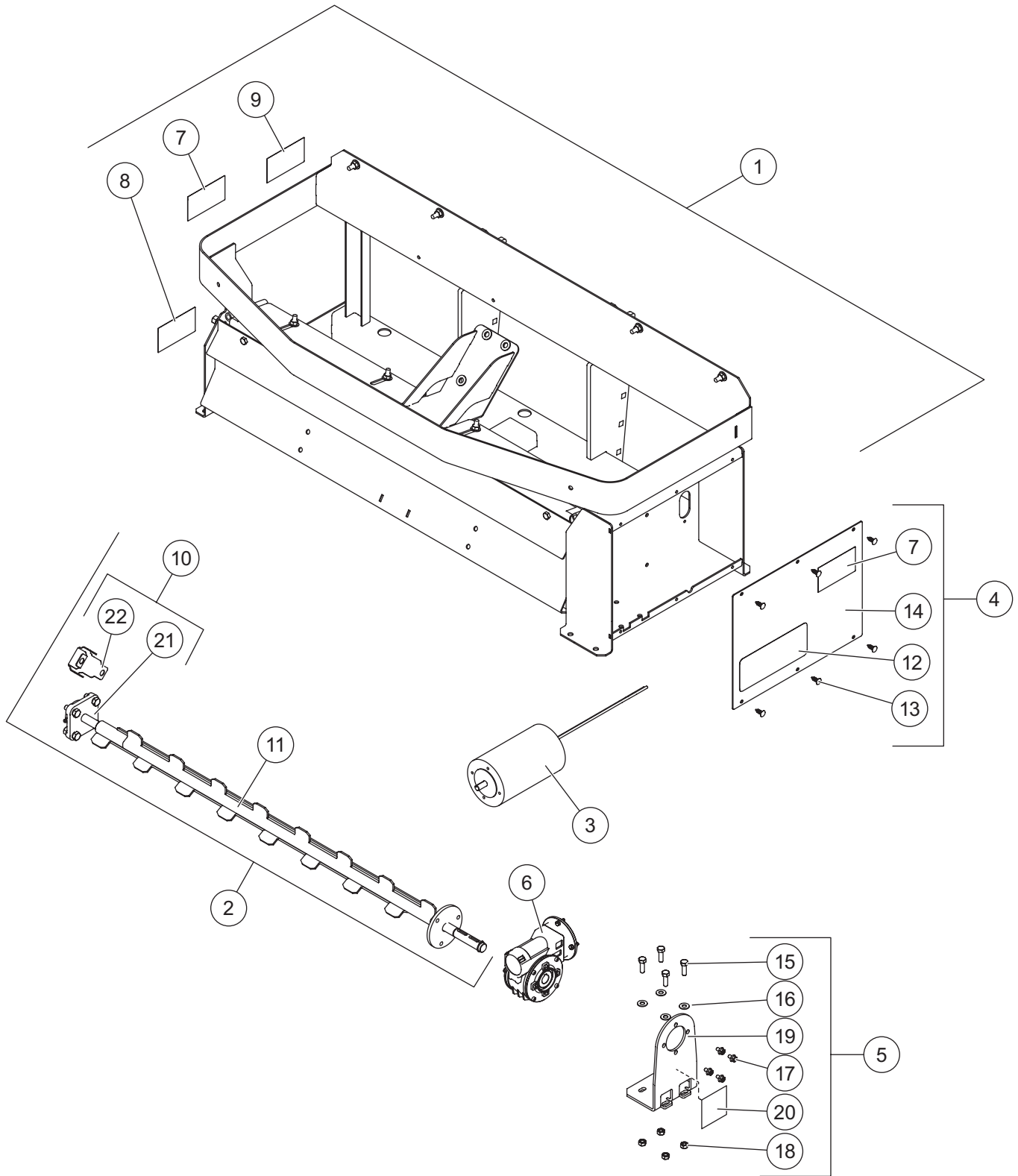
Parts List



This Parts List is for SnowEx® Drop Pro 600 drop spreaders with serial numbers beginning with 180101 and higher.

SD-600-1 Drop Pro™ 600 DROP SPREADER

FRAME AND SPREADER ASSEMBLY

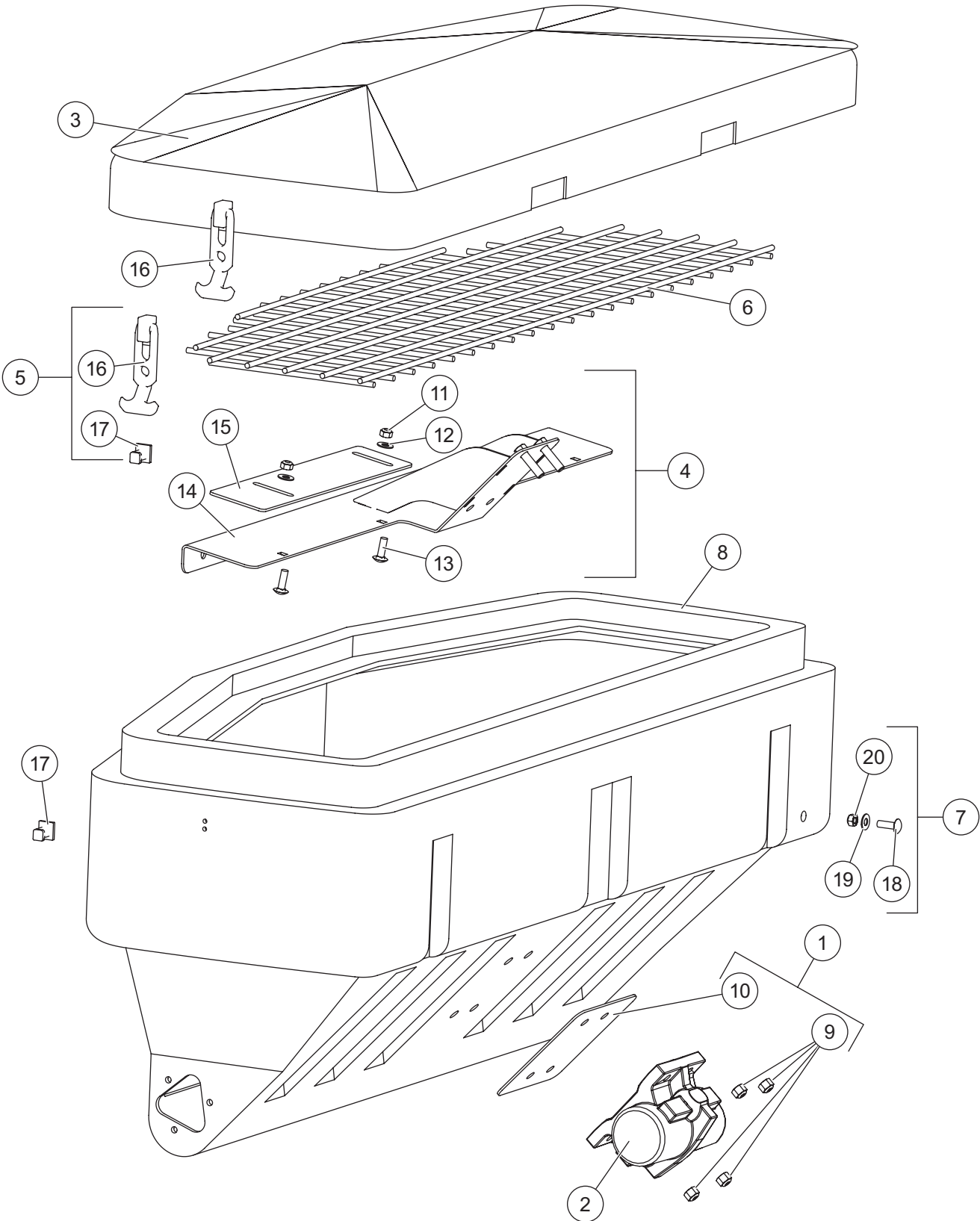


SD-600-1 Drop Pro™ 600 DROP SPREADER

Frame & Spreader Assembly							
Item	Part	Qty	Description	Item	Part	Qty	Description
1	74185	1	Frame Kit	5	74188	1	Gear Box Mount Kit
2	74186	1	Auger Kit	6	F50582	1	Gear Box
3	79950	1	Motor	ns	11813	2	Label – Logo, Drop Pro TG Spreader
4	74187	1	Motor Enclosure Cover Kit				
Item 1				74185 Frame Kit			
		1	Frame	8	75623	1	Label – Warning, Read OM
7	75621	1	Label – Warning, Hands & Feet	9	77079	1	Label – Warning, Braking/Handling
Item 2				74186 Auger Kit			
10	74189	1	Auger Bearing Kit	11		1	Auger
Item 4				74187 Motor Enclosure Cover Kit			
7	75621	1	Label – Warning, Hands and Feet	13		6	Push Retainer
12	75669	1	Label – Warning, Rotating Auger	14		1	Transmission Cover
Item 5				74188 Gear Box Mount Kit			
15		4	5/16-18 x 1 Hex Cap Screw	18		4	5/16-18 Hex Locknut
16		4	5/16 Flat Washer SS	19		1	Transmission Mount Bracket
17		4	M6 x 1 x 10 Flanged Bolt	20	32126EN	1	Label – Warning, Cover Removed
Item 10				74189 Auger Bearing Kit			
21		1	Bearing	ns		4	3/8-16 Hex Locknut
22		1	Bearing Cover	ns		4	3/8-16 x 1 Hex Cap Screw
		ns = not shown				M = Metric	
						SS = Stainless Steel	

SD-600-1 Drop Pro™ 600 DROP SPREADER

HOPPER ASSEMBLY

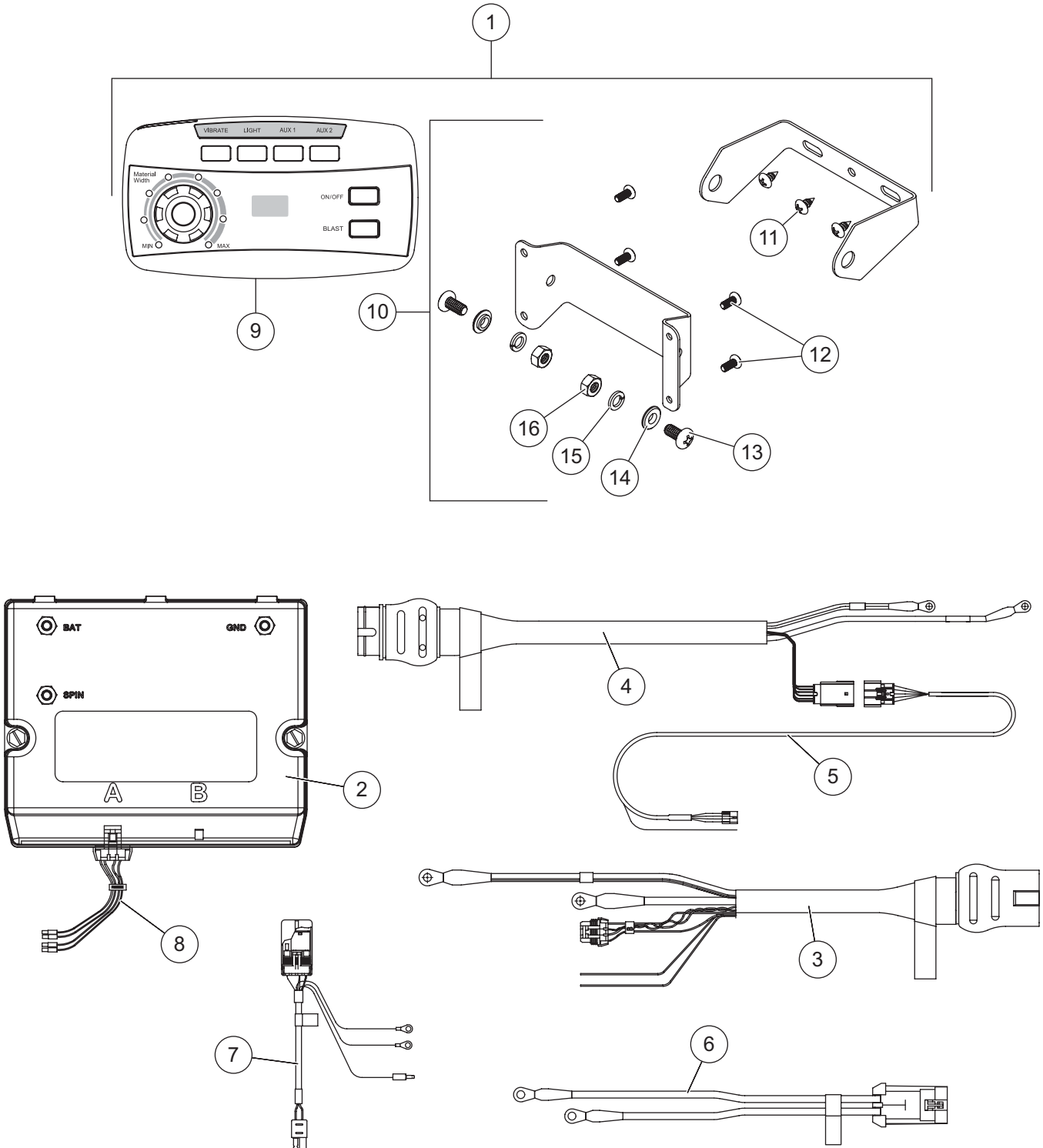


SD-600-1 Drop Pro™ 600 DROP SPREADER

Hopper Assembly							
Item	Part	Qty	Description	Item	Part	Qty	Description
1	74180	1	Vibrator Mount Bracket Kit	5	75612	2	Hopper Strap Kit
2	75673	1	Vibrator Kit	6	74181	1	Top Screen Kit
3	75677	1	Lid Kit	7	74183	1	Hopper Mount Kit
4	74184	1	Baffle Kit	8	74182	1	Hopper Kit
Item 1				74180 Vibrator Mount Bracket Kit			
		4	3/8-16 Hex Locknut SS	ns		4	3/8-16 x 1-1/2 Hex Cap Screw SS
		1	Mount Plate				
Item 4				74184 Baffle Kit			
		4	5/16-18 Hex Locknut GB SS	14		1	Baffle Mount Plate
		4	5/16 Flat Washer SS	15	F50708	2	Adjustable Material Baffle
		4	5/16-18 x 3/4 Hex Cap Screw SS				
Item 5				75612 Hopper Strap Kit			
		2	Draw Latch	ns		6	#10 x 3/4 Hex Washer-Head Driller Screw SS
		2	Latch Keeper				
Item 7				74183 Hopper Mount Kit			
		4	5/16-18 x 1 Carriage Bolt SS	20		4	5/16-18 Hex Locknut SS
		4	5/16 Flat Washer SS				
			G = Grade			ns = not shown	SS = Stainless Steel

SD-600-1 Drop Pro™ 600 DROP SPREADER

ELECTRICAL COMPONENTS



SD-600-1 Drop Pro™ 600 DROP SPREADER

Electrical Components							
Item	Part	Qty	Description	Item	Part	Qty	Description
1	52465	1	Spreader Control Kit	5	69902	1	Vehicle Control Harness
2	52395	1	Spreader Module, 3-Post	6	74977	1	Module to Motor Harness
3	72092	1	Spreader Harness, 7-Pin	7	78382	1	Vibrator Harness Assembly
4	74978	1	Vehicle Harness, 7-Pin, Short	8	69893	1	10-Pin Connector w/Four Wires
Item 1				52465 Spreader Control Kit			
9	52467	1	Spreader Control	10	52345	1	Control Bracket Kit
Item 10				52345 Control Bracket Kit			
11		3	#10 x 3/8 Pan Head Tapping Screw SS	14		2	1/4 Shoulder Washer SS
12		4	#8 x 3/8 Pan Head Machine Screw	15		2	1/4 Lock Washer SS
13		2	1/4-20 x 1/2 Pan Head Machine Screw SS – Black	16		2	1/4-20 Hex Nut G5
SS = Stainless Steel				G = Grade			



TrynEx International, LLC
531 Ajax Drive
Madison Heights, MI 48071-2429
www.snowexproducts.com

 A DIVISION OF DOUGLAS DYNAMICS, LLC

Copyright © 2023 Douglas Dynamics, LLC. All rights reserved. This material may not be reproduced or copied, in whole or in part, in any printed, mechanical, electronic, film, or other distribution and storage media, without the written consent of TrynEx International, LLC. Authorization to photocopy items for internal or personal use by TrynEx International outlets or spreader owner is granted.

TrynEx International reserves the right under its product improvement policy to change construction or design details and furnish equipment when so altered without reference to illustrations or specifications used. TrynEx International or the vehicle manufacturer October require or recommend optional equipment for spreaders. Do not exceed vehicle ratings with a spreader. TrynEx International offers a limited warranty for all spreaders and accessories. See separately printed page for this important information. The following are registered (®) or unregistered (™) trademarks of Douglas Dynamics, LLC: Drop Pro™, SnowEx®.

Printed in U.S.A.