



Fisher Engineering

95150, 95160, 95180-3, 95190-3

50 Gordon Drive, Rockland, Maine 04841-2139 • www.fisherplows.com

November 15, 2022
Lit. No. 74915, Rev. 08



Blade and Off-Truck Kit

EZ-V[®] 7'6" Snowplow

Parts List

EZ-V® 7'6" BLADE COMPONENTS 4

 Blade Components – EZ-V Blades SS 4

 Blade Components – EZ-V Blades MS 6

EZ-V OFF-TRUCK KITS 8

 Headgear and T-Frame Components 8

 Hydraulic Unit Components 10

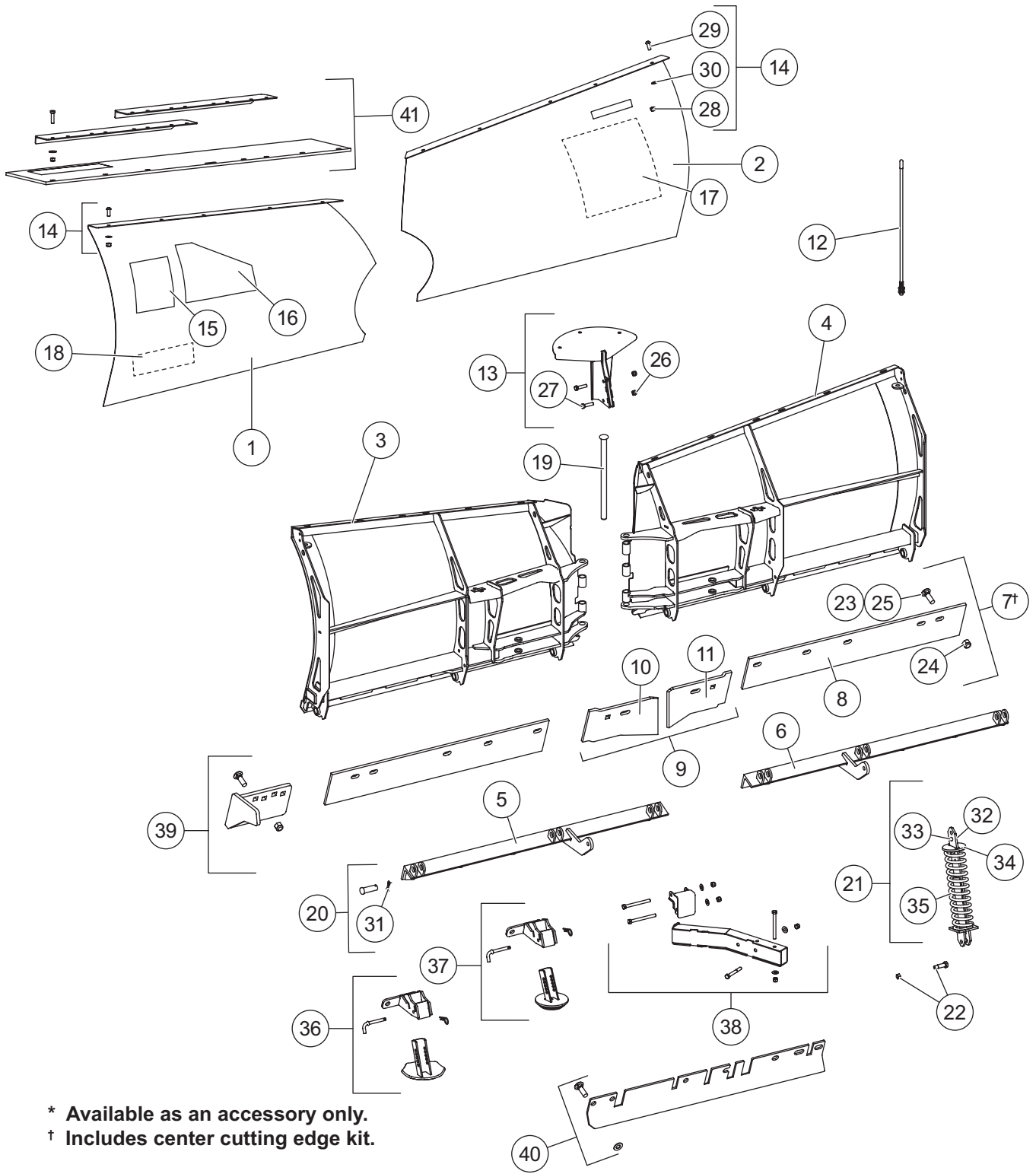
 Lift and Angle Ram Components 12

 Hoses and Fittings 12

 Electrical Components 13

 Headlamp Kits 14–15

Blade Components – EZ-V® Blades SS



* Available as an accessory only.
† Includes center cutting edge kit.

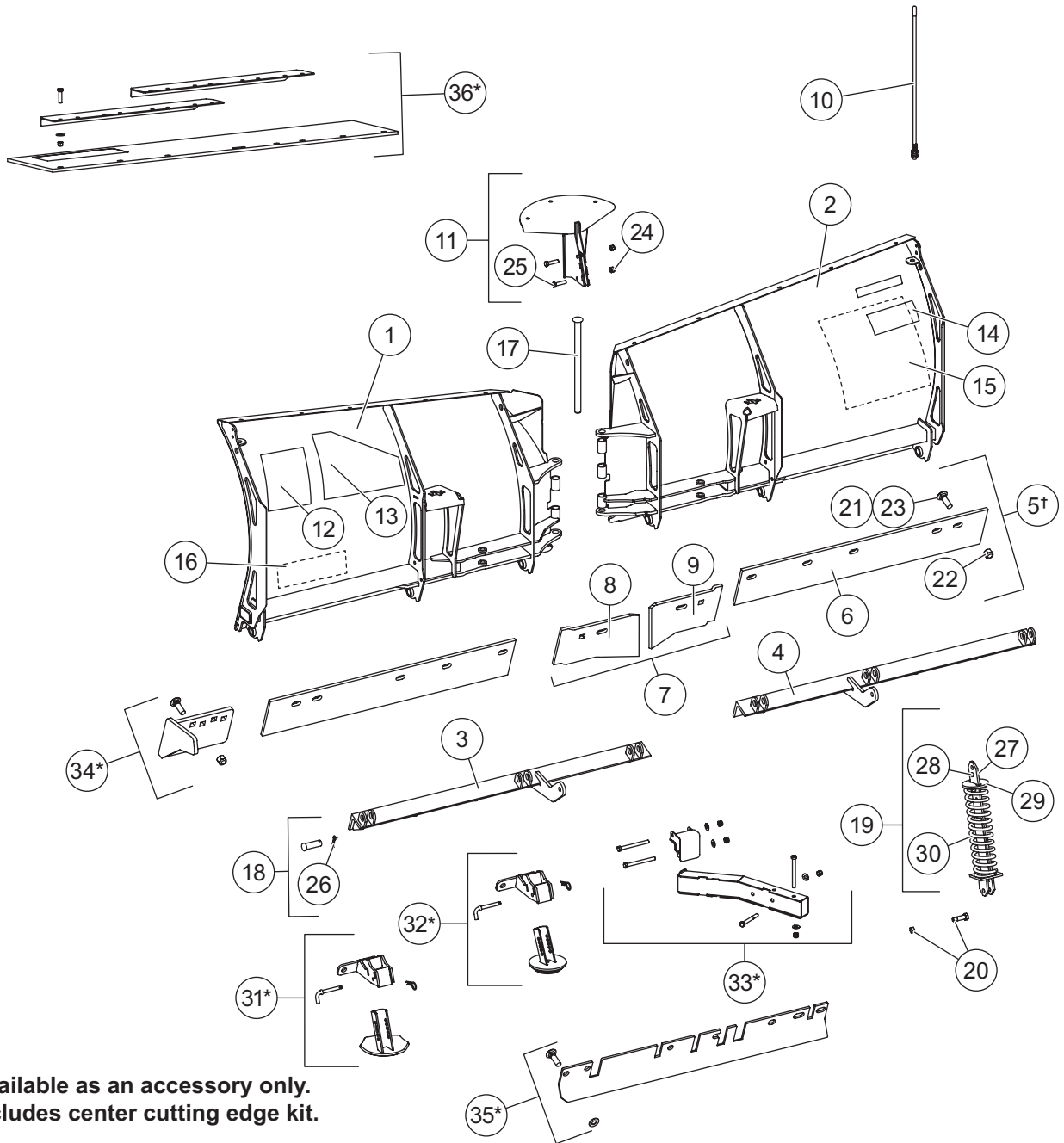
EZ-V® 7'6" Blade Components – SS							
Item	Part	Qty	Description	Item	Part	Qty	Description
1	79714	1	Moldboard Kit, SS – DS†	10	79972	1	Center Cutting Edge (3/8) – DS
2	79715	1	Moldboard Kit, SS – PS‡		44891-1*	1	Center Cutting Edge (1/2) – DS
3	79755	1	Frame, Base Angle, Spring Assy – DS	11	79973	1	Center Cutting Edge (3/8) – PS
4	79756	1	Frame, Base Angle, Spring Assy – PS		44890-1*	1	Center Cutting Edge (1/2) – PS
5	79731	1	Base Angle – DS	12	27195	1	Flexible Blade Guide Set – 26"
6	79732	1	Base Angle – PS	13	79733	1	Snow Control Kit
7†	79982	1	Cutting Edge Kit (3/8)	14	43289	1	Moldboard Fasteners Kit
	86866*	1	Poly Cutting Edge Kit – Complete w/Fasteners	15	59900	1	Label – Warning/Caution, Snowplows
	44742-2*	1	Cutting Edge Kit (1/2)	16	27451	1	Label – Attach/Detach, Minute Mount® 2
8	44896-1	1	Cutting Edge (3/8)	17	20238	1	Label – Logo, FISHER® Splatter
	90413*	1	Cutting Edge, Poly – DS	18	72955	1	Label – Logo, EZ-V
	90438*	1	Cutting Edge, Poly – PS	ns	42490	1	Label Replacement Kit
	44996-1*	1	Cutting Edge (1/2)	19	51702	1	Pivot Pin
9	79977	1	Center Cutting Edge Kit (3/8) w/Fasteners	20	27241	1	1 x 2-3/4 Clevis Pin w/Cotter
	44894-1*	1	Center Cutting Edge Kit (1/2)	21	21452	2	Removable Spring Assembly
				22	40905	2	Shoulder Bolt w/Locknut
Item 7†				79982 Cutting Edge Kit (3/8)			
8	44896-1	2	Cutting Edge (3/8)	24		14	5/8-11 Hex Locknut GB
23		14	5/8-11 x 2 Carriage Bolt G5				
Item 7				86866* Poly Cutting Edge Kit – Complete w/Fasteners			
8	90413*	1	Poly Cutting Edge – DS	24		14	5/8-11 Hex Locknut GB
	90438*	1	Poly Cutting Edge – PS	25		14	5/8-11 x 2-1/2 Carriage Bolt G5
ns	86843	2	Poly Cutting Edge Bar				
Item 7†				44742-2* Cutting Edge Kit (1/2)			
8	44996-1	2	Cutting Edge (1/2)	23		14	5/8-11 x 2 Carriage Bolt G5
		1	Center Cutting Edge – PS	24		14	5/8-11 Hex Locknut GB
		1	Center Cutting Edge – DS				
Item 13				79733 Snow Control Kit			
		1	Snow Control	27		2	3/8-16 x 1-1/2 Hex Cap Screw G5
26		2	3/8-16 Hex Locknut GB				
Item 14				43289 Moldboard Fasteners Kit			
28		10	3/8-16 Hex Locknut G5 Brass	30		10	3/8 Hardened Washer
29		10	3/8-16 x 1 Button Cap Screw				
Item 20				27241 1 x 2-3/4 Clevis Pin w/Cotter			
31	90601	1	1/4 x 1-1/2 Cotter Pin			1	1 x 2-3/4 Clevis Pin
Item 21				21452 Removable Spring Assembly			
32	21450	1	Removable Spring Bar	34	20191	1	Removable Spring Disc
33	20181	1	1/4 x 1-1/4 Pin	35	5323	1	Trip Spring
Blade Accessories							
36*	74519	1	Shoe Kit (set of 2)	39*	43885	1	Curb Guard Kit (set of 2)
37*	83852	1	Extreme Wear Shoe Kit (set of 2)	40*	44281-4	1	Back Drag Edge Kit
38*	74528	1	Blade Stop Kit (set of 2)	41*	41812-1	1	Rubber Deflector Kit – 10"
ns = not shown				SS = Stainless Steel		G = Grade	

* Accessory only.

† Includes center cutting edge kit.

‡ Includes fasteners and labels.

Blade Components – EZ-V® Blades MS

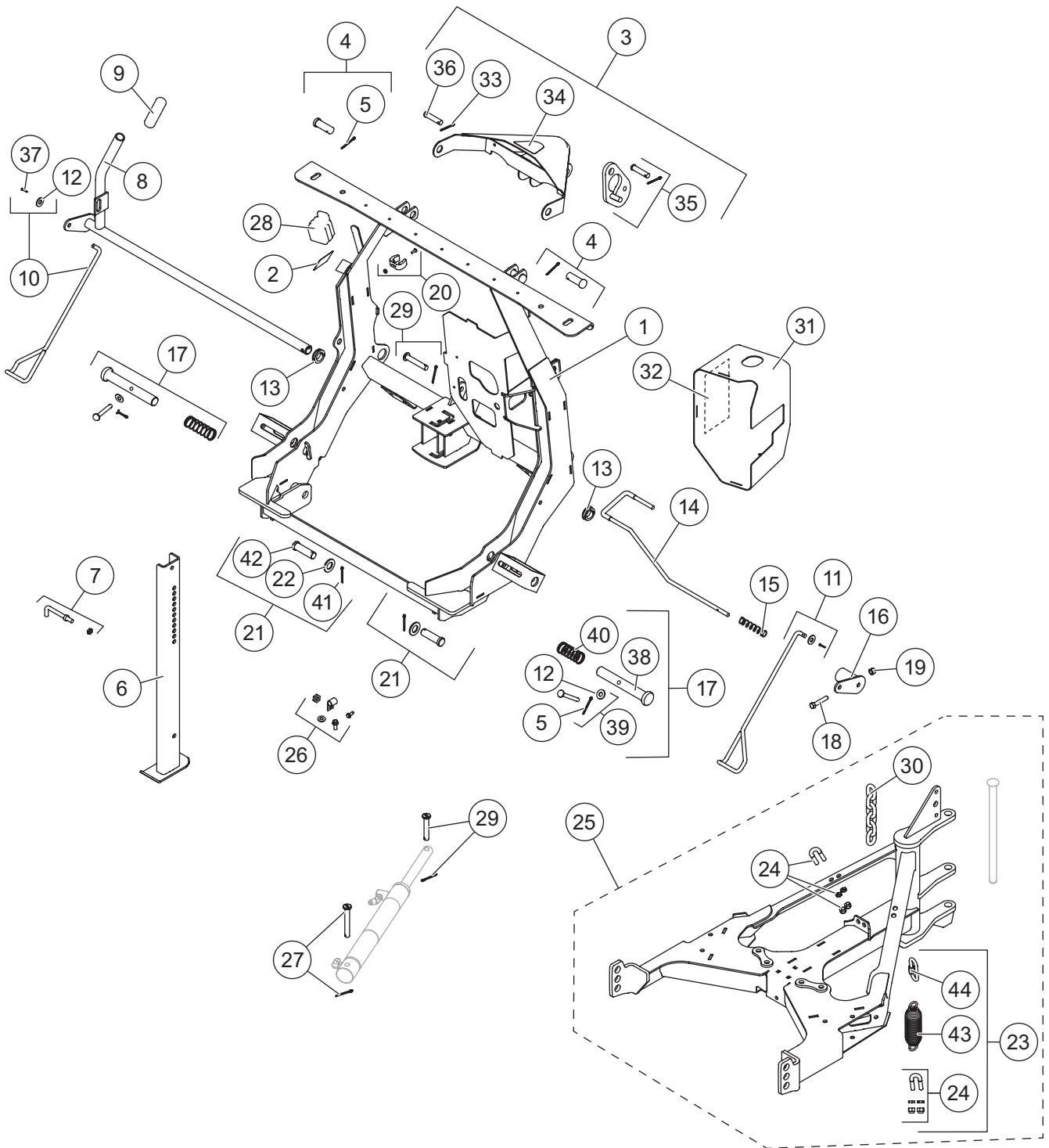


* Available as an accessory only.
† Includes center cutting edge kit.

EZ-V® 7'6" Blade Components – MS							
Item	Part	Qty	Description	Item	Part	Qty	Description
1	79724	1	Frame, Base Angle, Spring Assembly, Moldboard, MS – DS†	8	79972	1	Center Cutting Edge (3/8) – DS
					44891-1*	1	Center Cutting Edge (1/2) – DS
2	79725	1	Frame, Base Angle, Spring Assembly, Moldboard, MS – PS‡	9	79973	1	Center Cutting Edge (3/8) – PS
					44890-1*	1	Center Cutting Edge (1/2) – PS
3	79731	1	Base Angle – DS	10	27195	1	Flexible Blade Guide Set – 26"
4	79732	1	Base Angle – PS	11	79733	1	Snow Control Kit
5†	79982	1	Cutting Edge Kit – Complete (3/8)	12	59900	1	Label – Warning/Caution, Snowplows
	86866*	1	Poly Cutting Edge Kit – Complete w/Fasteners	13	27451	1	Label – Attach/Detach, Minute Mount® 2
	44742-2*	1	Cutting Edge Kit (1/2)	14	40986	1	Label – Logo, STORM GUARD™ (MS moldboard)
6	44896-1	2	Cutting Edge – One Side (3/8)	15	20238	1	Label – Logo, FISHER® Splatter
	90413*	1	Cutting Edge, Poly – DS	16	72955	1	Label – Logo, EZ-V
	90438*	1	Cutting Edge, Poly – PS	ns	42490	1	Label Replacement Kit
	44996-1*	2	Cutting Edge (1/2)	17	51702	1	Pivot Pin
7	79977	1	Center Cutting Edge Kit (3/8) w/Fasteners	18	27241	1	1 x 2-3/4 Clevis Pin w/Cotter
	44894-1*	1	Center Cutting Edge Kit (1/2)	19	21452	2	Removable Spring Assembly
				20	40905	2	Shoulder Bolt w/Locknut
Item 5†				79982 Cutting Edge Kit (3/8)			
6	44896-1	2	Cutting Edge (3/8)	22		14	5/8-11 Hex Locknut GB
21		14	5/8-11 x 2 Carriage Bolt G5				
Item 5				86866* Poly Cutting Edge Kit – Complete w/Fasteners			
6	90413*	1	Cutting Edge, Poly – DS	22		14	5/8-11 Hex Locknut GB
	90438*	1	Cutting Edge, Poly – PS	23		14	5/8-11 x 2-1/2 Carriage Bolt G5
ns	86842	2	Poly Cutting Edge Bar				
Item 5†				44742-2* Cutting Edge Kit (1/2)			
6	44996-1	2	Cutting Edge (1/2)	21		14	5/8-11 x 2 Carriage Bolt G5
		1	Center Cutting Edge – PS	22		14	5/8-11 Hex Locknut GB
		1	Center Cutting Edge – DS				
Item 11				79733 Snow Control Kit			
		1	Snow Control	25		2	3/8-16 x 1-1/2 Hex Cap Screw G5
24		2	3/8-16 Hex Locknut GB				
Item 18				27241 1 x 2-3/4 Clevis Pin w/Cotter			
26	90601	1	1/4 x 1-1/2 Cotter Pin			1	1 x 2-3/4 Clevis Pin
Item 19				21452 Removable Spring Assembly			
27	21450	1	Removable Spring Bar	29	20191	1	Removable Spring Disc
28	20181	1	1/4 x 1-1/4 Pin	30	5323	1	Trip Spring
Blade Accessories							
31*	74519	1	Shoe Kit (set of 2)	34*	43885	1	Curb Guard Kit (set of 2)
32*	83852	1	Extreme Wear Shoe Kit (set of 2)	35*	44281-4	1	Back Drag Edge Kit
33*	74528	1	Blade Stop Kit (set of 2)	36*	41812-1	1	Rubber Deflector Kit – 10"
ns = not shown				MS = Mild Steel		G = Grade	

* Accessory only.
† Includes center cutting edge kit.
‡ Includes fasteners and labels.

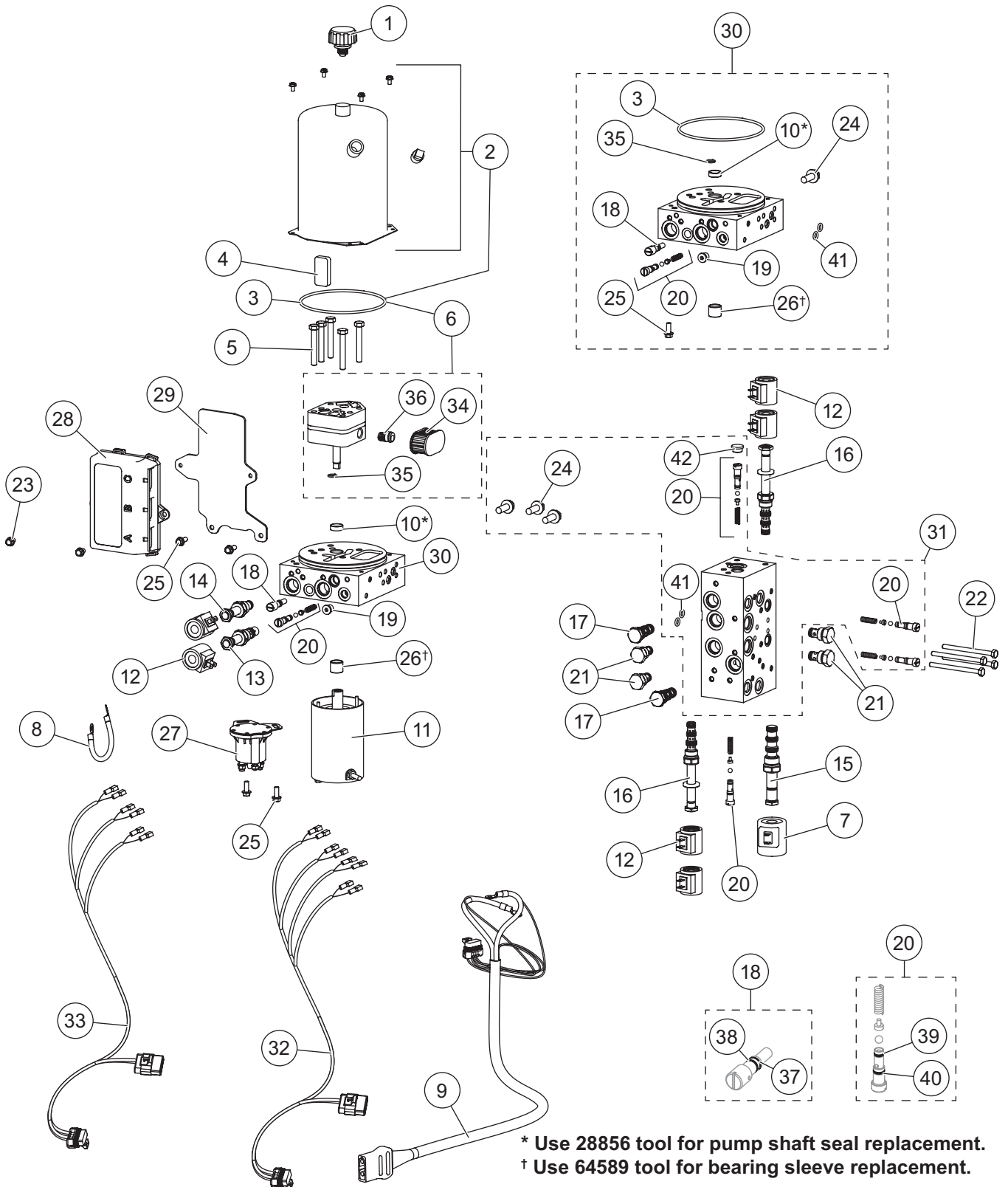
Headgear and T-Frame Components



EZ-V® 7'6" Headgear and T-Frame Components							
Item	Part	Qty	Description	Item	Part	Qty	Description
1	79735	1	Headgear*	17	27168K	2	Connecting Pin Kit
2	69689	1	Label – Logo, SECURITY GUARD™	18		1	3/8-16 x 2 Hex Cap Screw G5
3	79738	1	Lift Arm Kit (yellow)	19		4	3/8-16 Hex Locknut GB
	79739	1	Lift Arm Kit (silver)	20	27162K-1	1	Stop Clip Kit
4	4289K	2	3/4 x 2 Machine Pin Packet	21	78750	2	3/4 x 2-1/2 Pin Kit
5	90658	5	5/32 x 1-1/4 Cotter Pin	22	91147	2	3/4 Flat Washer Type A Narrow
6	79766	1	Jack	23	49521	1	Spring/U-Bolt/Link Kit
7	27164K	1	Handle Kit	24	A6148K	3	U-Bolt Assembly Packet
8	79746	1	Handle, Link Arm Assembly	25	79742	1	T-Frame Service Kit
9	27535	1	Handle Cover	26	27172K	1	Clamp Loop Kit
10	27166K	1	Wire Cam Kit – DS	27	83629	2	1/2 x 3-11/16 Clevis Pin HT Kit
11	27167K	1	Wire Cam Kit – PS	28	8284K	1	Cable Boot
12	90315	4	3/8 Flat Washer Type A Wide	29	85199	2	1/2 x 2-7/8 Clevis Pin Kit
13	27163K	1	Bushing Kit (pkg of 2)	30	27912-1	1	5/16 Grade 43 Chain Bag
14	27478	1	Jack Lock	31	79721	1	Hydraulic Cover (incl. item 32)
15	27461	1	3/4 OD x 3-1/2 Compression Spring	32	74081	1	Label – Information, Hydraulic
16	79745	1	Link Arm				
Item 3 79738 (yellow) / 79739 (silver) Lift Arm Kit							
33	90601	1	1/4 x 1-1/2 Cotter Pin	35	28991	1	Stop Link Kit
34	26777	1	Label – Nameplate, Minute Mount® 2	36	84399	1	1/2 x 2-1/8 Clevis Pin HT
Item 4 4289K 3/4 x 2 Machine Pin Packet							
	1	3/4 x 2 Pin		5	90658	1	5/32 x 1-1/4 Cotter Pin
Item 10 27166K Wire Cam Kit – DS							
	1	Wire Cam – DS		37	91902	1	1/8 x 1 Cotter Pin
12	1	3/8 Flat Washer Type A Wide					
Item 11 27167K Wire Cam Kit – PS							
	1	Wire Cam – PS		37	91902	1	1/8 x 1 Cotter Pin
12	1	3/8 Flat Washer Type A Wide					
Item 17 27168K Connecting Pin Kit							
38	26833	1	1 x 6-15/16 Pin	40	821	1	1 ID x 3-1/2 Compression Spring
39	26219	1	3/8 x 3-1/4 Clevis Pin Kit				
Item 21 78750 3/4 x 2-1/2 Pin Kit							
22	91147	1	3/4 Flat Washer Type A Narrow	42		1	3/4 x 2-1/2 Pin
41	91911K	1	5/32 x 1-1/2 Cotter Pin Kit				
Item 23 49521 Spring/U-Bolt/Link Kit							
24	A6148K	1	U-Bolt Assembly Packet	44	68340	1	Quick Link
43	27074	1	Spring				
Item 25 79742 T-Frame Service Kit							
	1	T-Frame		24	A6148K	2	U-Bolt Assembly Packet
	51702	1	Pivot Pin (shown w/blade components)	30	27912-1	1	5/16 Grade 43 Chain Bag
23	49521	1	Spring/U-Bolt/Link Kit				
Item 35 28991 Stop Link Kit							
	1	Stop Link		29037	1	5/8 x 2-5/8 Clevis Pin G8 w/Cotter	
Item 39 26219 3/8 x 3-1/4 Clevis Pin Kit							
	1	3/8 x 3-1/4 Clevis Pin		12	90315	1	3/8 Flat Washer Type A Wide
5	90658	1	5/32 x 1-1/4 Cotter Pin				
HT = Heat Treated				G = Grade			

* Includes fasteners and labels.

Hydraulic Unit Components



77398 EZ-V® 7'6" Hydraulic Unit								
Item	Part	Qty	Description	Item	Part	Qty	Description	
1	21727-2	1	Breather Pressure Control	18	48517	1	Quill	
2	77394	1	Reservoir Kit	19	44344	1	Plug, Hex Socket -4 M ORB	
3	66519	1	O-Ring 2-250	20	7629K-4	3	Relief Valve Kit (2 sets)	
4	73897	1	Magnet	21	84934	4	Check Valve	
5		5	5/16-18 x 2-1/4 Hex Cap Screw G5	22		4	1/4-20 x 3-1/2 Hex Cap Screw G5	
6	52553	1	Pump Kit	23		2	1/4-20 x 3/8 Hex WHTR Screw	
7	84901	1	Coil 10 w/Spades	24		3	3/8-16 x 1 Serr. Flange Hex Cap Screw	
8	29071	1	Cable Assembly, 8"	25		4	1/4-20 x 5/8 Hex WHTR Screw	
9	42015	1	Cable Assembly, Plow	26†	56364	1	Bearing Sleeve	
10*	66515	1	Pump Shaft Seal	27	52290	1	Motor Relay	
11	48543-1	1	Motor Assembly 3"	ns	64596-1	1	Sleeve Bearing & Shaft Seal Kit	
12	7639K-2	6	Coil w/Spade Terminals	28	52292-2	1	Plow Module	
13	44331	1	Valve, SVCV08-20 w/Nut	29	52293-1	1	Module Plate	
14	7634K-2	1	Valve, 2-Way w/Nut	30	77396	1	Primary Manifold w/o Valves	
15	84900	1	Valve, 4-Way SV10-43 w/Nut	31	77397	1	Secondary Manifold w/o Valves	
16	52285	2	Valve, 4-Way 3-Position Closed Ctr§	32	52215	1	Plow Control Harness, 4-Coil	
17	77391	2	Valve, PO Check	33	52217	1	Plow Control Harness, 3-Coil	
Item 2				77394 Reservoir Kit				
		1	Reservoir		92079	1	Plug, Square 3/8 NPTF	
		4	#10-24 x 5/16 Machine Screw		3	66519	1	O-Ring 2-250
Item 6				52553 Pump Kit				
		1	Pump		35	56274	1	O-Ring -013
3	66519	1	O-Ring 2-250		36	10887	1	Hydraulic Pump Inlet Fitting
34	26781-4	1	Suction Filter					
Item 18				48517 Quill				
37	48239	1	O-Ring -106	38	48240	1	Back-Up Ring -106	
Item 20				7629K-4 Relief Valve Kit (2 sets)				
39	55371	6	O-Ring -008	40	25731	6	O-Ring -010	
Item 29				52293-1 Module Plate				
		1	Module Plate		25	4	1/4-20 x 5/8 Hex WHTR Screw	
23		1	1/4-20 x 3/8 Hex WHTR Screw					
Item 30				77396 Primary Manifold w/o Valves				
3	66519	1	O-Ring 2-250	24		3	3/8-16 x 1 Serr. Flange Hex Cap Screw	
10*	66515	1	Pump Shaft Seal	25		4	1/4-20 x 5/8 Hex WHTR Screw	
18	48517	1	Quill	26†	56364	1	Bearing Sleeve	
19	44344	1	Plug, Hex Socket -4 M ORB	35	56274	1	O-Ring -013	
20	7629K-4	1/2	Relief Valve Kit (2 sets)	41	43818	2	O-Ring -109	
Item 31				77397 Secondary Manifold w/o Valves				
20	7629K-4	2	Relief Valve Kit (2 sets)	41	43818	2	O-Ring -109	
24		3	3/8-16 x 1 Serr. Flange Hex Cap Screw	42	56808	1	Plug	
				64596-1 Sleeve Bearing & Shaft Seal Kit				
3	66519	1	O-Ring 2-250	26†	56364	1	Bearing Sleeve	
10*	66515	1	Pump Shaft Seal	35	56274	1	O-Ring -013	
O-Ring Service Kits								
ns	52298-3		O-Ring Kit (no O-rings for valves)	ns	49259-2		Seal Kit, 3-Way and 4-Way Valve	
ns	49258-2		Seal Kit, 2-Way Valves	ns	84909		Seal Kit, Size 10, 3-Way & 4-Way Valve	
ns = not shown		M = Male		G = Grade		WHTR = Washer-Head Thread-Rolling		

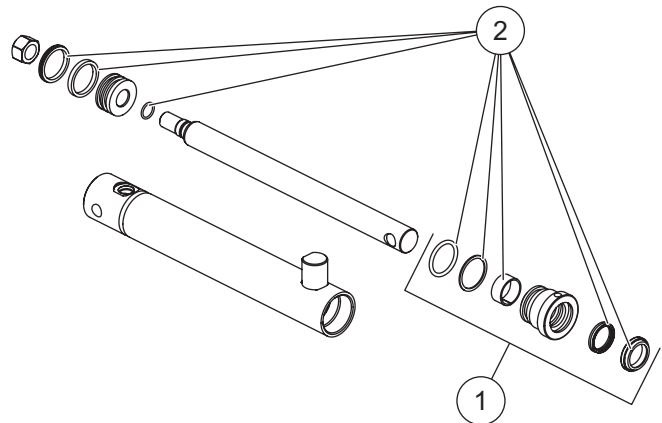
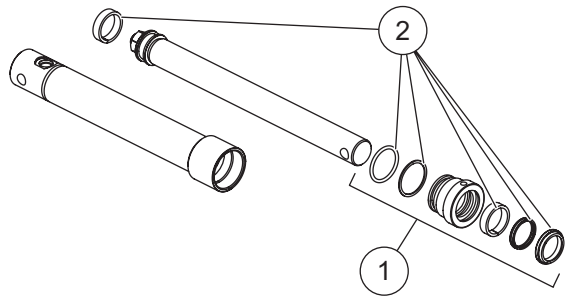
* Use 28856 tool for pump shaft seal replacement (includes 1 seal).

§ Includes nut and spacer.

† Use 64589 tool for bearing sleeve replacement (includes 1 bearing).

Go to www.fisherplows.com for hydraulic unit service information and specifications.

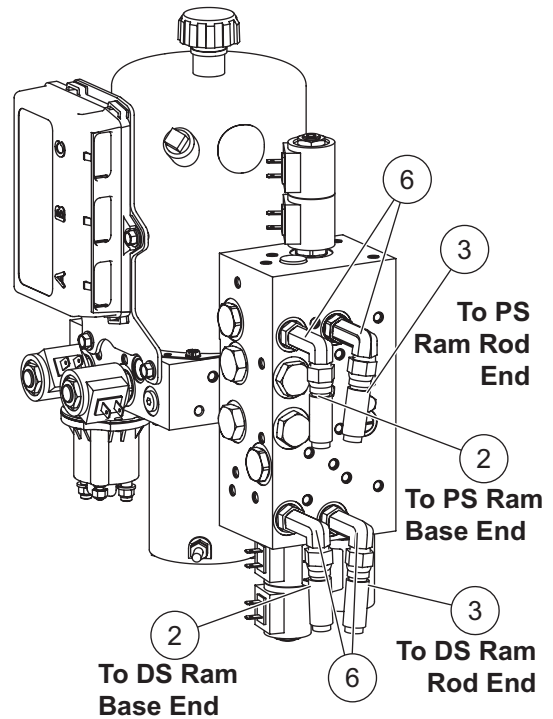
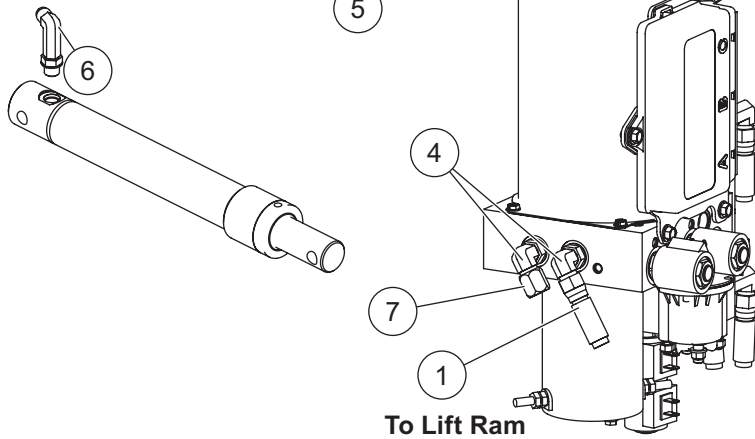
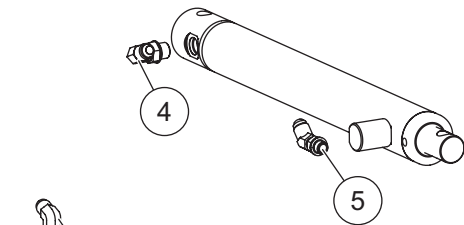
Lift and Angle Ram Components



77423 Lift Ram Assembly 1-1/4 x 8-5/8			
Item	Part	Qty	Description
1	77429	1	1-1/4 Gland Assembly
2	77433	1	Seal Kit 1-1/4 Ram

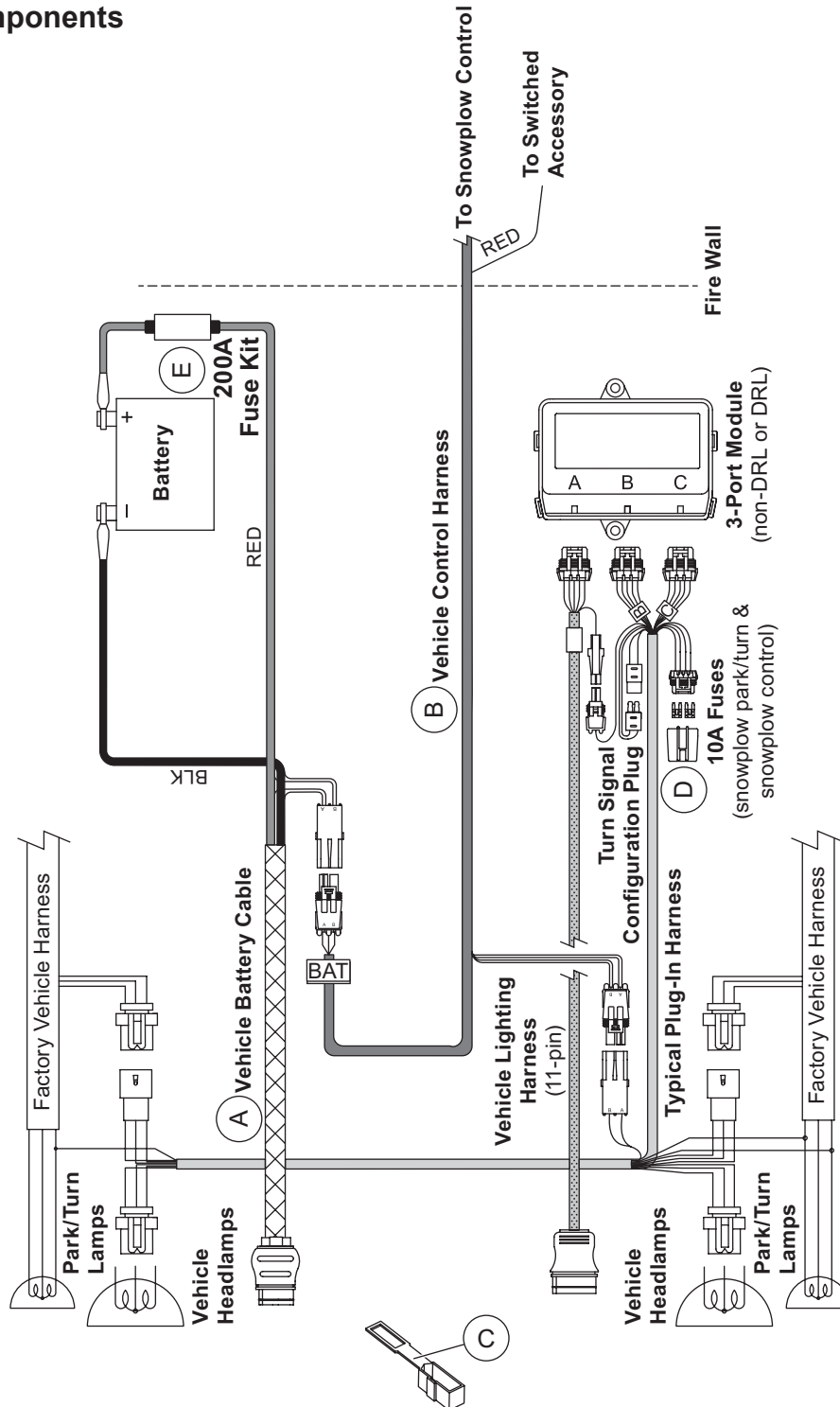
77426 Wing Ram Assembly 1-1/2 x 12 DA			
Item	Part	Qty	Description
1	52558	1	1" Gland Assembly
2	52557	1	Seal Kit 1-1/2 Ram

Hoses and Fittings



Hoses and Fittings							
Item	Part	Qty	Description	Item	Part	Qty	Description
1	56591	1	Hose, 1/4 x 42 w/F JIC Ends	6	44361	5	Elbow, Extra Long 90° -6 M JIC/-6 M ORB
2	56710	2	Hose, 1/4 x 32 w/F JIC Ends	7	44346	1	Cap, -6 F JIC
3	56599	2	Hose, 1/4 x 36 w/F JIC Ends	ns	56823	4	Hose Wrap
4	56615-1	4	Elbow, 90° -6 M JIC/-6 M ORB				
5	41093	2	Elbow, 45° -6 M JIC/-4 M ORB				
			F = Female				M = Male
							ns = not shown

Electrical Components

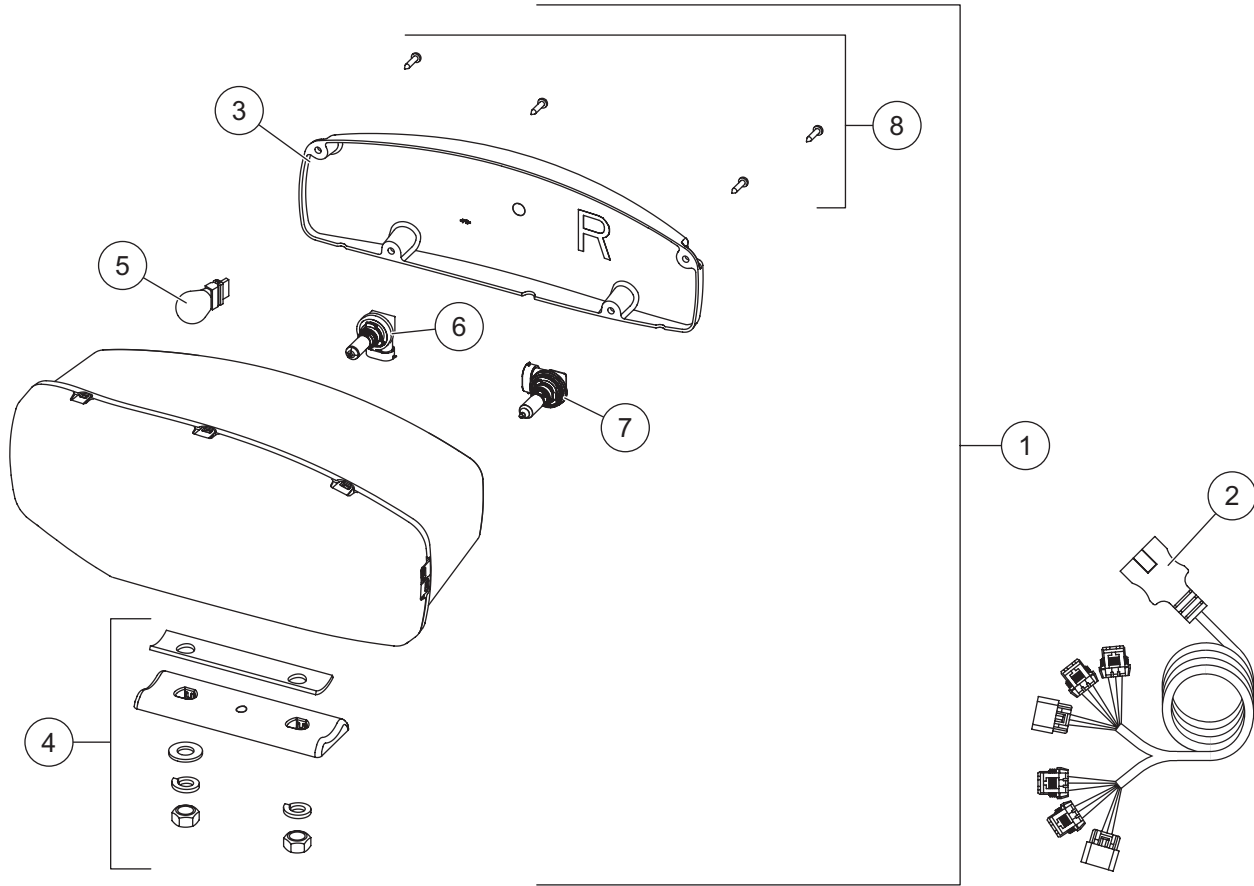


Vehicle-Side Electrical Components

Item	Part	Qty	Description	Item	Part	Qty	Description
A	72527	1	Vehicle Battery Cable	D	29998	1	Fuse Cover (pkg of 5)
B	28587	1	Vehicle Control Harness	E	90730	1	200A Fuse Kit
C	61548K	1	Plug Cover Kit	ns	56099	1	Dielectric Grease

ns = not shown

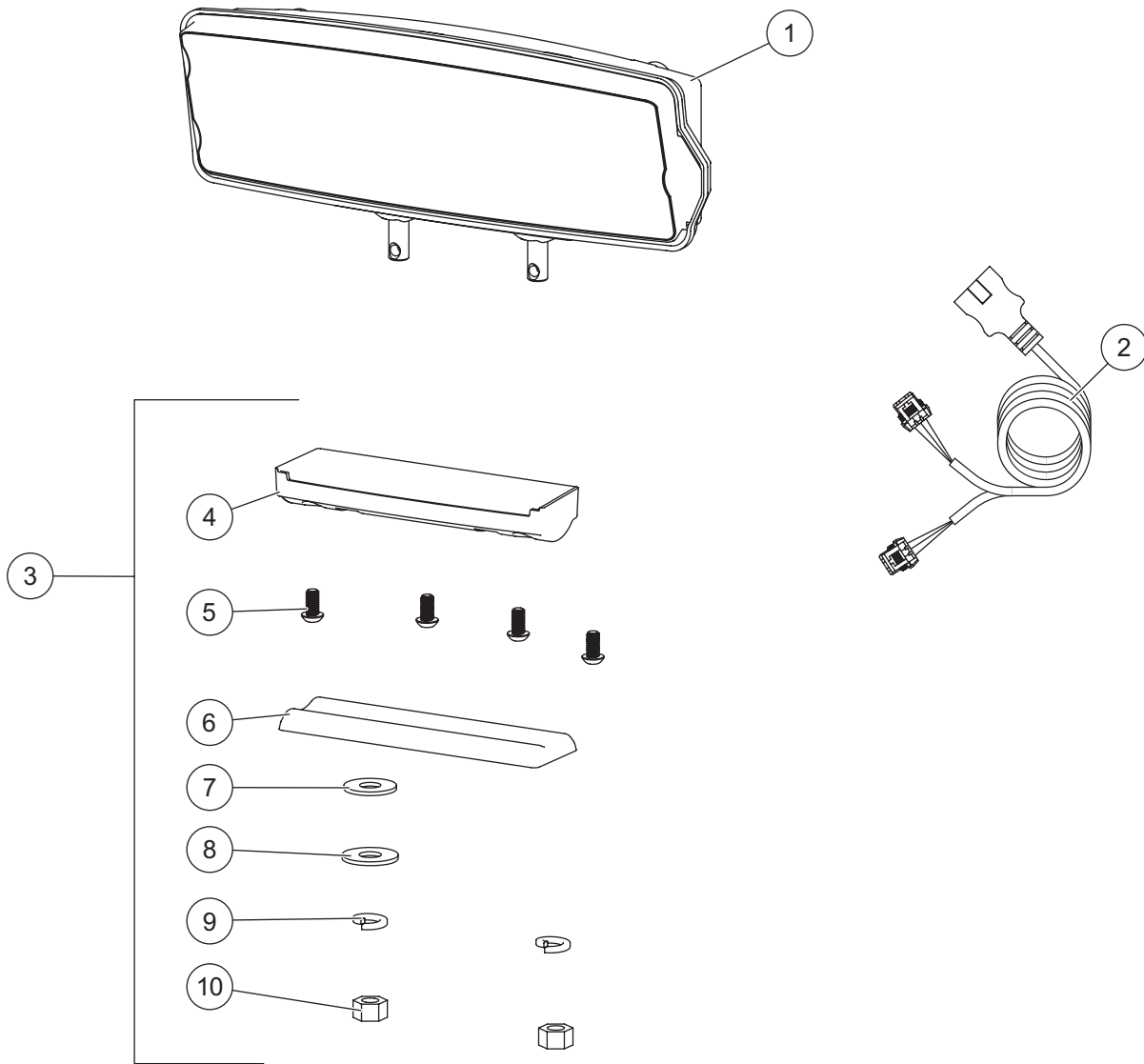
Headlamp Kit – Halogen



38800 Headlamp Kit H9/H11 (pair)							
Item	Part	Qty	Description	Item	Part	Qty	Description
1	38802	1	Headlamp Service Kit H9/H11 – PS	2	38807	1	Harness Service Kit H9/H11
ns	38801	1	Headlamp Service Kit H9/H11 – DS				
Item 1	38801/38802 Headlamp Service Kit H9/H11 – DS/PS						
3	38803	1	Rear Cover Kit H9/H11 – PS	6	38811	1	Headlamp Bulb Service Kit H11
ns	38812	1	Rear Cover Kit H9/H11 – DS	7	38809	1	Headlamp Bulb Service Kit H9
4	38804	1	Mounting Hardware Kit H9/H11	8	38808	1	Cover Screws Service Kit H9/H11 (pkg of 4)
5		1	Park/Turn Bulb (trade no. 4157NAK)				

ns = not shown

Headlamp Kit – LED



72525 Headlamp Kit LED							
Item	Part	Qty	Description	Item	Part	Qty	Description
1	39901	1	Headlamp Service Kit LED – DS	3	39903	1	Mounting Hardware Kit LED
ns	39902	1	Headlamp Service Kit LED – PS	ns	72512	1	Harness Connector Cover LED (pkg of 2)
2	72548	1	Harness Service Kit LED				
Item 3				39903 Mounting Hardware Kit LED			
4		1	Plastic Casing	8		1	1/2 Flat Washer
5		4	1/4 Button Cap Screw	9		2	1/2 Lock Washer
6		1	Headlamp Swivel	10		2	1/2 Hex Nut
7		1	1/2 Rubber Washer	ns		1	Metal Insert
ns = not shown							



Fisher Engineering
50 Gordon Drive
Rockland, ME 04841-2139
www.fisherplows.com

A DIVISION OF FISHER, LLC

Copyright © 2022 Douglas Dynamics, LLC. All rights reserved. This material may not be reproduced or copied, in whole or in part, in any printed, mechanical, electronic, film, or other distribution and storage media, without the written consent of Fisher Engineering. Authorization to photocopy items for internal or personal use by Fisher Engineering outlets or snowplow owner is granted.

Fisher Engineering reserves the right under its product improvement policy to change construction or design details and furnish equipment when so altered without reference to illustrations or specifications used. Fisher Engineering or the vehicle manufacturer may require or recommend optional equipment for snow removal. Do not exceed vehicle ratings with a snowplow. Fisher Engineering offers a limited warranty for all snowplows and accessories. See separately printed page for this important information. The following are registered (®) or unregistered (™) trademarks of Douglas Dynamics, LLC: EZ-V®, FISHER®, Minute Mount® 2, SECURITY GUARD™, STORM GUARD™.

Printed in U.S.A.