



Fisher Engineering

50 Gordon Drive, Rockland, Maine 04841-2139 • www.fisherplows.com

**79000, 79000-3, 79000-4,
79200(CH), 79200-3(CH),
79200-4(CH), 79250, 79350**

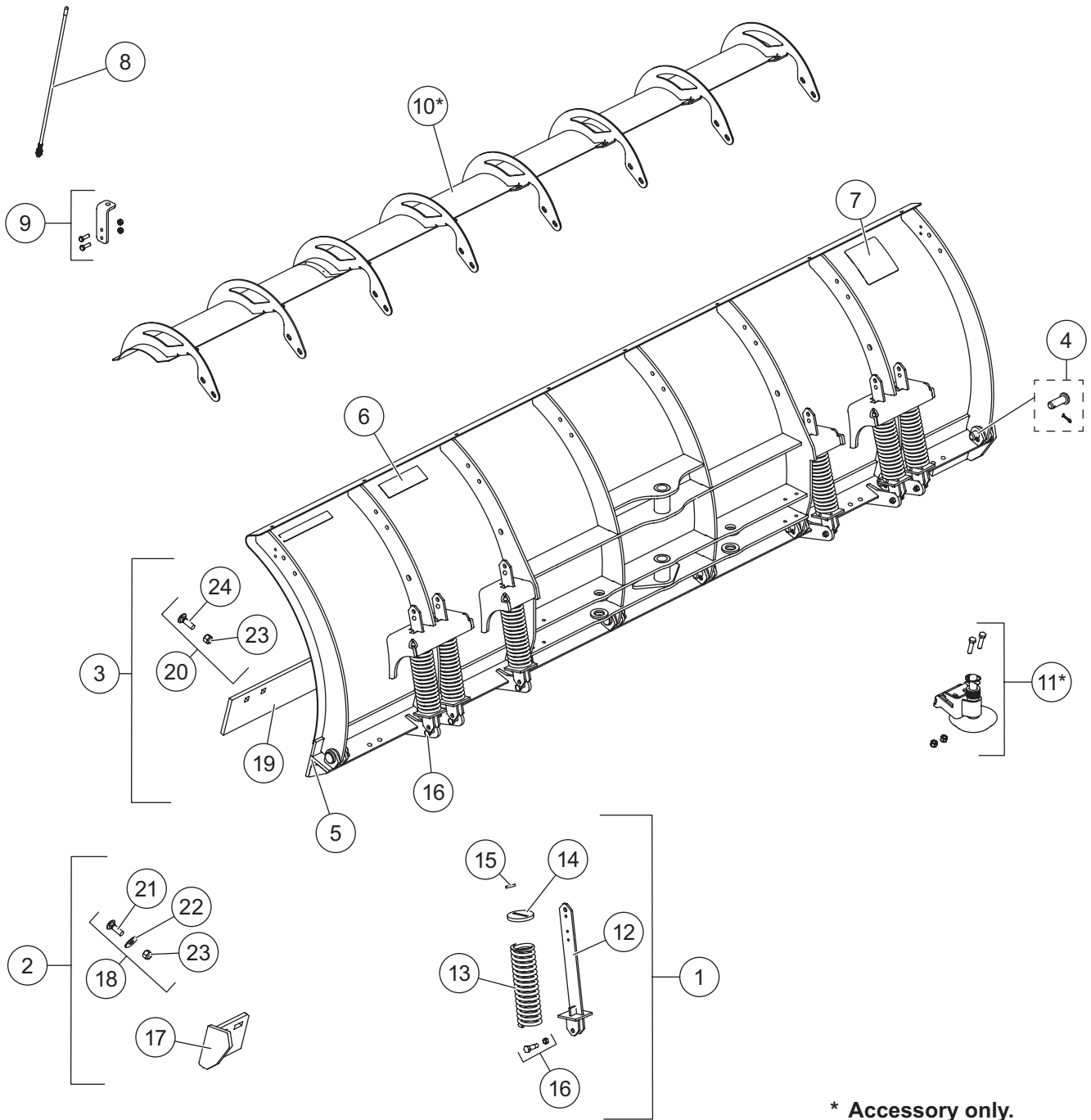
February 15, 2023
Lit. No. 77137, Rev. 12



Blade and Off-Truck Kit
HC Series Snowplows
Including Central Hydraulics Applications
Parts List

HC SERIES BLADE COMPONENTS 4
 Blade Components 4
HC SERIES OFF-TRUCK KITS 6
 T-Frame Components 6
 Headgear Components 8
 Hydraulic Unit Components 10
 Lift and Angle Ram Components 12
 Hoses and Fittings 12
 Electrical Components 13
 Vehicle-Side Harness Diagram – 3-Port, 2-Plug System 14
 Vehicle-Side Harness Diagram – Central Hydraulics 15
 Headlamp Kits 16–17

Blade Components



* Accessory only.

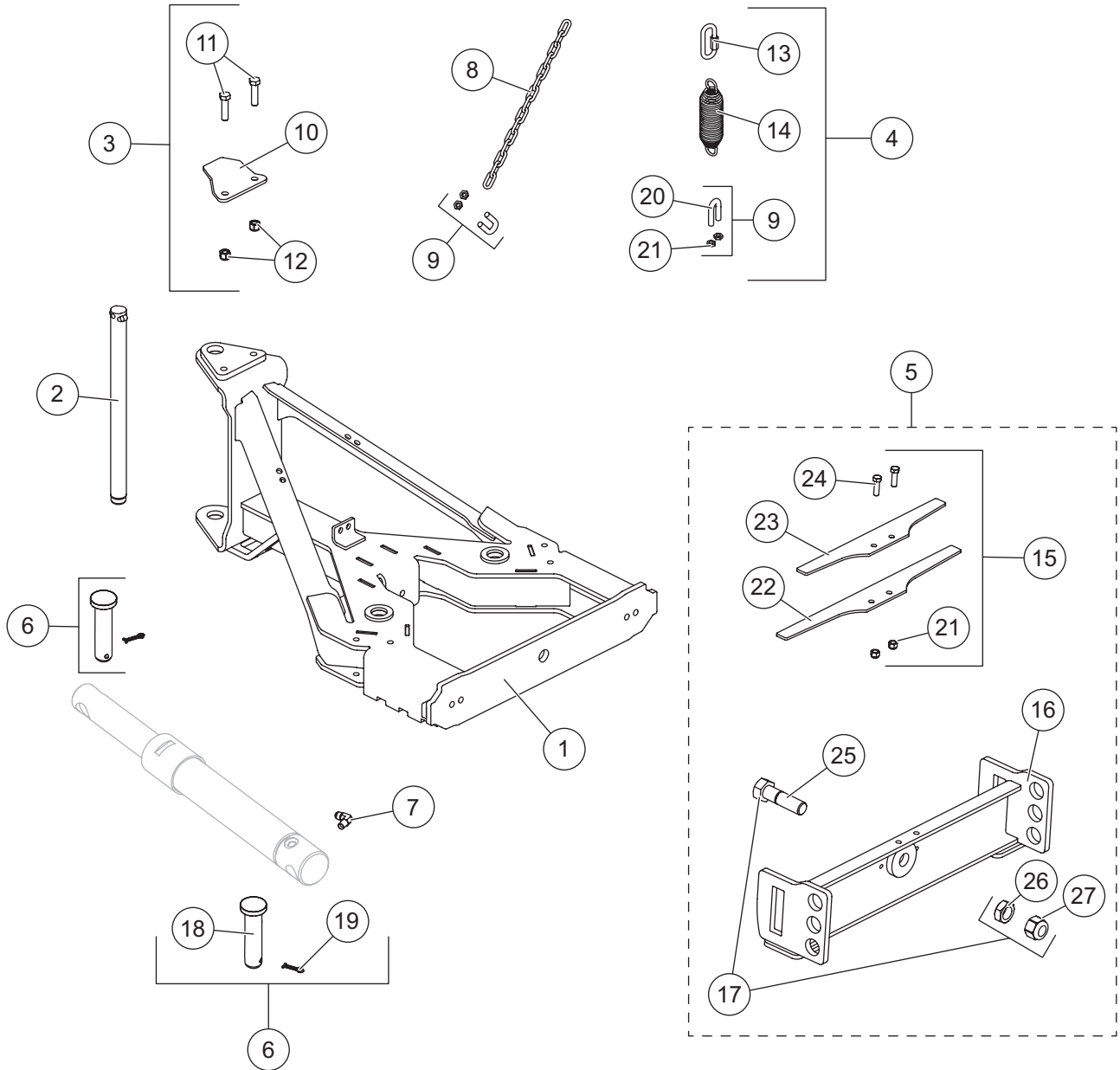
79000, 79000-3, 79000-4, 79200(CH), 79200-3(CH), 79200-4(CH), 79250, 79350

79250/79350 HC Blades – 9' & 10'							
Item	Part	Qty	Description	Item	Part	Qty	Description
1	26464	6**	Removable Spring Assembly	ns	90257	1	Label – Logo, FISHER® Splatter
2	80297	1	HC Curb Guard Cutting Edge Kit, 10' Blade	ns	92978	1	Label – Logo, HC
	51880	1	HC Curb Guard Cutting Edge Kit, 9' Blade	8	26530K	1	Blade Guide Kit (pair)
3	5534	1	Cutting Edge Kit	9	50646	1	Blade Guide Bracket Kit
4	27241	8	1 x 2-3/4 Clevis Pin w/Cotter	10*	57434	1	SnoFoil® Assembly, 10' Blade
5	79411	1	Base Angle, 10' Blade		57523*	1	SnoFoil Assembly, 9' Blade
	79410	1	Base Angle, 9' Blade	11*	76789	1	Shoe Kit
6	26211	1	Label – Logo, STORM GUARD™	ns	79239*	1	High-Wear Shoe Kit
7	59900	1	Label – Warning/Caution, Snowplows	ns	76497*	1	Blade Stop Kit
				ns	57420*	1	10" Rubber Deflector Kit
				ns	57411*	1	18" Rubber Deflector Kit
Item 1				26464 Removable Spring Assembly			
12		1	Removable Spring Bar	15		1	1/4 x 1-1/4 Pin
13		1	Trip Spring	16	40905	1	Shoulder Bolt w/Locknut
14		1	Removable Spring Disc				
Item 2				80297 HC Curb Guard Cutting Edge Kit, 10' Blade			
17	86663	1	Curb Guard – DS	18	80298	1	Bolt Bag, Curb Guard Cutting Edge
ns	86664	1	Curb Guard – PS				
Item 3				5534 Cutting Edge Kit			
19		1	Cutting Edge, 9' Blade	20	6601	1	Bolt Bag, Cutting Edge
Item 18				80298 Bolt Bag, Curb Guard Cutting Edge			
21		4	5/8-11 x 2-1/2 Carriage Bolt G5	23		4	5/8-11 Hex Locknut GB
22		4	5/8 Hardened Flat Washer				
Item 20				6601 Bolt Bag, Cutting Edge			
23		11	5/8-11 Hex Locknut GB	24		11	5/8-11 x 2 Carriage Bolt G5
ns = not shown				G = Grade			

* Accessory only.

** Qty 4 for 9' blades; qty 6 for 10' blades.

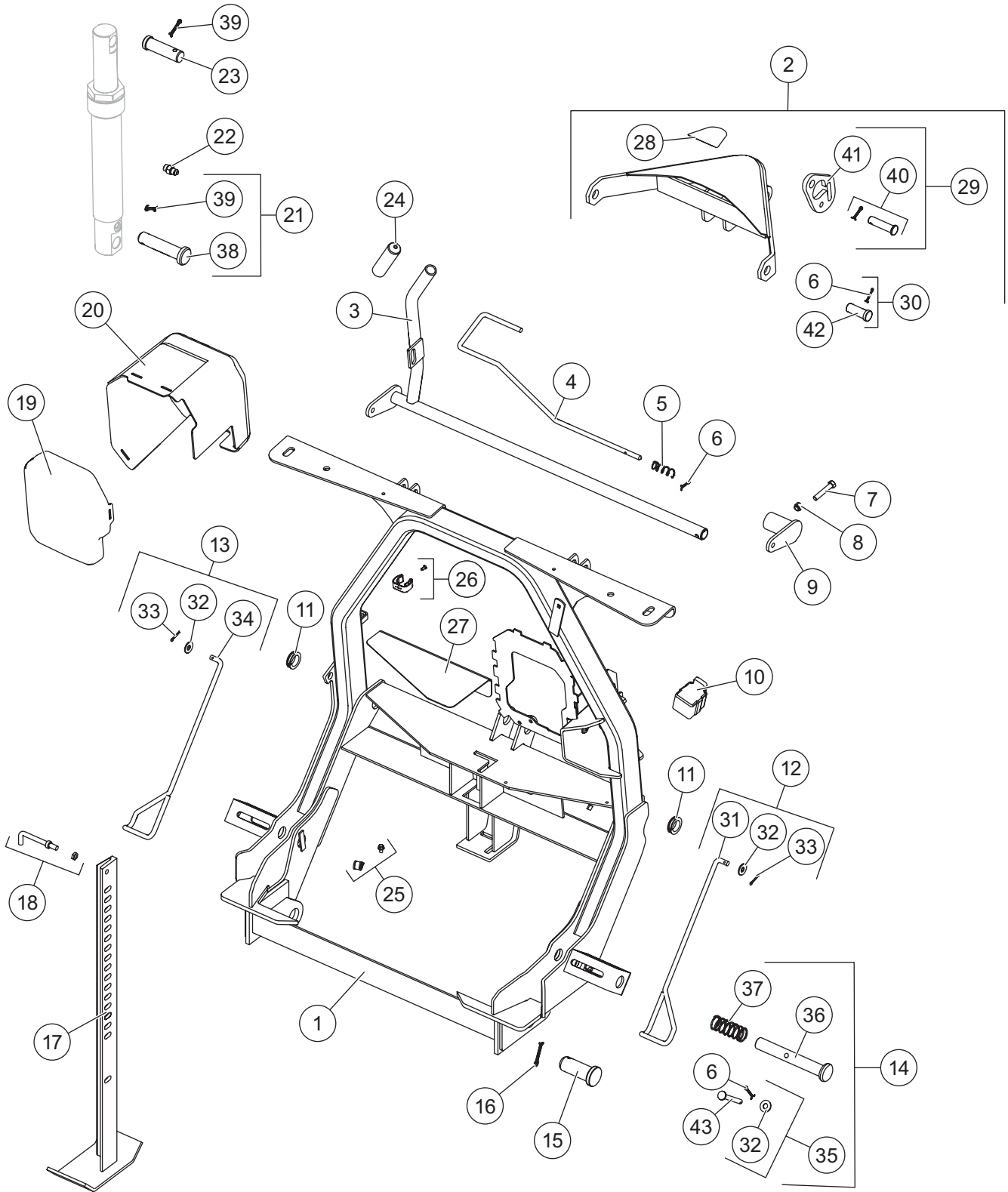
T-Frame Components



79000, 79000-3, 79000-4, 79200(CH), 79200-3(CH), 79200-4(CH), 79250, 79350

T-Frame Components							
Item	Part	Qty	Description	Item	Part	Qty	Description
1	74130	1	T-Frame	6	87761	2	Ram Pin Kit
2	49844	1	1-1/4 x 16-3/4 Pivot Pin	7	56725	2	Elbow, 90° -6 M JIC/-6 M ORB
3	97070	1	Retainer Plate Kit	8	28351-1	1	Chain Bag
4	42423	1	3/8 Spring / U-Bolt / Link Kit	9	A6148K	3	U-Bolt Assembly Packet
5	72195	1	Pivot Beam Kit				
Item 3				97070 Retainer Plate Kit			
10		1	Retainer Plate	12		2	1/2-13 Hex Locknut GB
11		2	1/2-13 x 2 Hex Cap Screw G5				
Item 4				42423 3/8 Spring / U-Bolt / Link Kit			
9	A6148K	1	U-Bolt Assembly Packet	14	27074	1	Extension Spring
13	68616	1	3/8 Quick Link	ns	91413	2	3/8-16 Hex Nut G5
Item 5				72195 Pivot Beam Kit			
15	51130	1	Leaf Spring Kit	17	52621	1	Pivot Beam Fastener Kit
16		1	Pivot Beam				
Item 6				87761 Ram Pin Kit			
18	20790	1	Cylinder Pin	19	90013	1	1/4 x 2 Cotter Pin
Item 9				A6148K U-Bolt Assembly Packet			
20	90453	1	3/8-16 x 1-5/8 x 1/2 x 1-1/8 U-Bolt	21		2	3/8-16 Hex Locknut G5
Item 15				51130 Leaf Spring Kit			
21		2	3/8-16 Hex Locknut GB	23		1	Upper Leaf Spring
22		1	Lower Leaf Spring	24		2	3/8-16 x 1-1/4 Hex Cap Screw G5
Item 17				52621 Pivot Beam Fastener Kit			
25		1	1-8 x 3-1/2 Hex Cap Screw G5	27		1	1-8 Hex Locknut GB
26		1	1-8 Hex Jam Nut G5				
		G = Grade				M = Male	
						ns = not shown	

Headgear Components



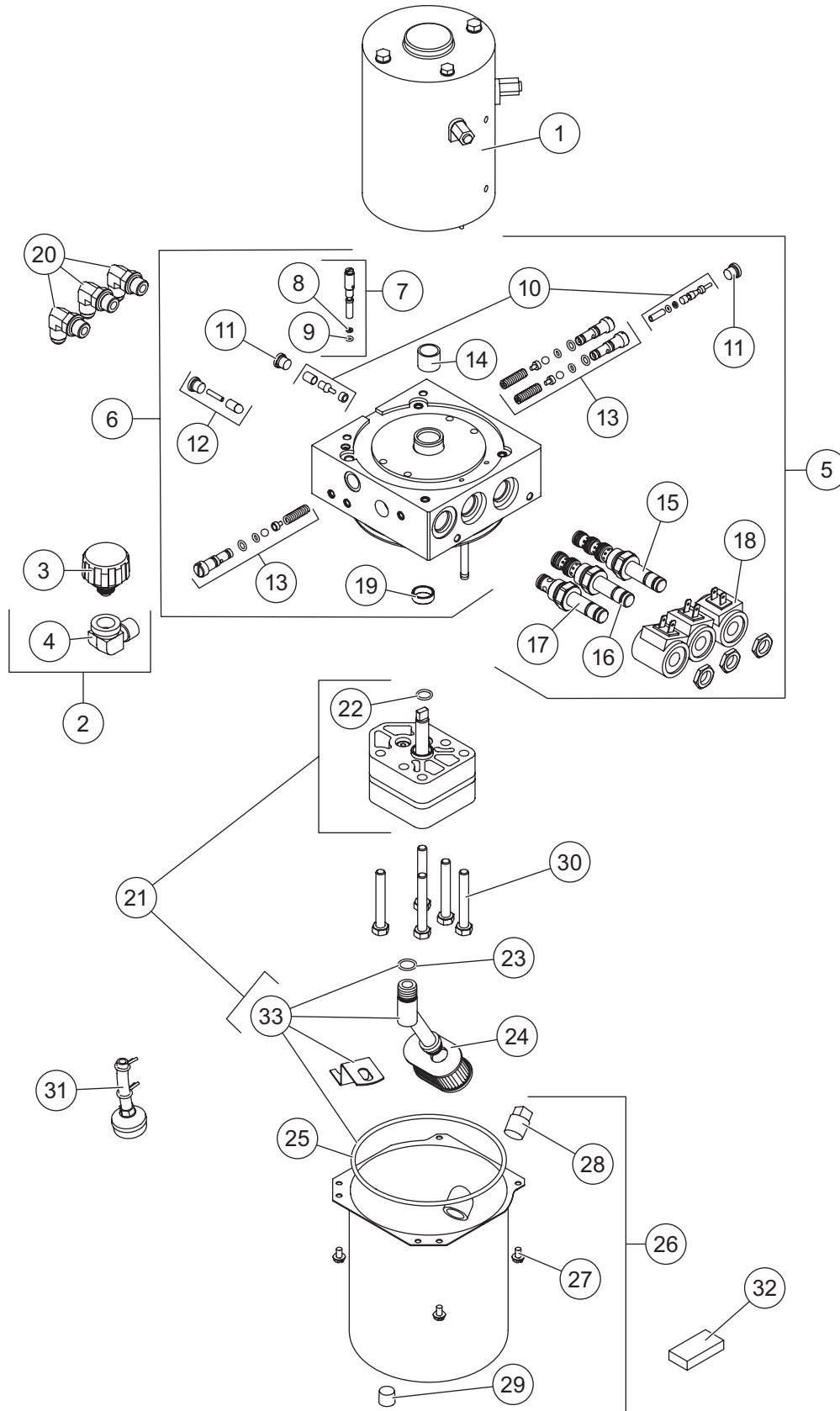
79000, 79000-3, 79000-4, 79200(CH), 79200-3(CH), 79200-4(CH), 79250, 79350

Headgear Components							
Item	Part	Qty	Description	Item	Part	Qty	Description
1	49527-1	1	Headgear	16	90013	2	1/4 x 2 Cotter Pin
2	28350-2	1	Lift Arm Kit – Yellow	17	26172	1	Jack
3	27468	1	Handle – Link Arm Assembly	18	27164K	1	Handle Kit
4	27478	1	Jack Lock	19†	68313-1	1	Cover, Rear
5	27461	1	3/4 x 3-1/2 Compression Spring	20†	68312-1	1	Cover, Front
6	90658	5	5/32 x 1-1/4 Cotter Pin	21	43603	1	1 x 3-3/4 Clevis Pin and Cotter
7	90043	1	3/8-16 x 2 Hex Cap Screw G5	22	49526†	1	Connector –6 M JIC/–6 M ORB
8	91333	1	3/8-16 Hex Locknut GB		56725‡	1	Elbow 90° –6 M JIC/–6 M ORB
9	27465	1	Link Arm	23	95720	1	1 x 3-5/16 Clevis Pin HT
10	8284K	1	Cable Boot	24	27535	1	Handle Cover Kit
11	27163K	1	Snap-In Bushing Kit (2 bushings)	25†	49522	2	Clamp Loop Kit
12	27167K	1	Wire Cam Kit – PS	26	27162K-1	1	Stop Clip Kit
13	27166K	1	Wire Cam Kit – DS	27	27451	1	Label – Attach/Detach, Minute Mount® 2
14	27168K	2	Connecting Pin Kit				
15	26164	2	1-1/4 x 3-1/16 Pin	ns	69689†	1	Label – Logo, SECURITY GUARD™
Item 2				28350-2 Lift Arm Kit – Yellow			
28	26777	1	Label – Nameplate, Minute Mount 2	30	4289K	1	3/4 x 2 Machine Pin Packet
29	28991	1	Stop Link Kit				
Item 12				27167K Wire Cam Kit – PS			
31	26905	1	Wire Cam – PS	33	91902	1	1/8 x 1 Cotter Pin
32	90315	1	3/8 Flat Washer, Type A Wide				
Item 13				27166K Wire Cam Kit – DS			
32	90315	1	3/8 Flat Washer, Type A Wide	34	26921	1	Wire Cam – DS
33	91902	1	1/8 x 1 Cotter Pin				
Item 14				27168K Connecting Pin Kit			
35	26219	1	Clevis Pin Kit	37	821	1	1 x 3-1/2 Compression Spring
36	26833	1	1 x 6-15/16 Clevis Pin				
Item 21				43603 1 x 3-3/4 Clevis Pin and Cotter			
38	42521	1	1 x 3-3/4 Clevis Pin	39		2	1/4 x 1-1/2 Cotter Pin
Item 29				28991 Stop Link Kit			
40	29037	1	5/8 x 2-5/8 Clevis Pin w/Cotter	41		1	Stop Link
Item 30				4289K 3/4 x 2 Machine Pin Packet			
6	90658	1	5/32 x 1-1/4 Cotter Pin	42	4289	1	3/4 x 2 Pin
Item 35				26219 Clevis Pin Kit			
6	90658	1	5/32 x 1-1/4 Cotter Pin	43	26210	1	3/8 x 3-1/4 Clevis Pin
32	90315	1	3/8 Flat Washer Type A Wide				
G = Grade		HT = Heat Treated		M = Male		ns = not shown	

† Not used for central hydraulics.

‡ Central hydraulics only.

Hydraulic Unit Components



79000, 79000-3, 79000-4, 79200(CH), 79200-3(CH), 79200-4(CH), 79250, 79350

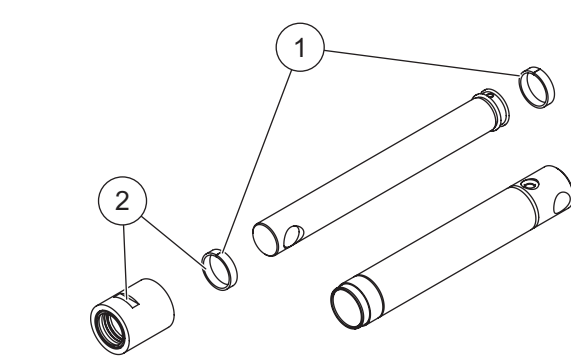
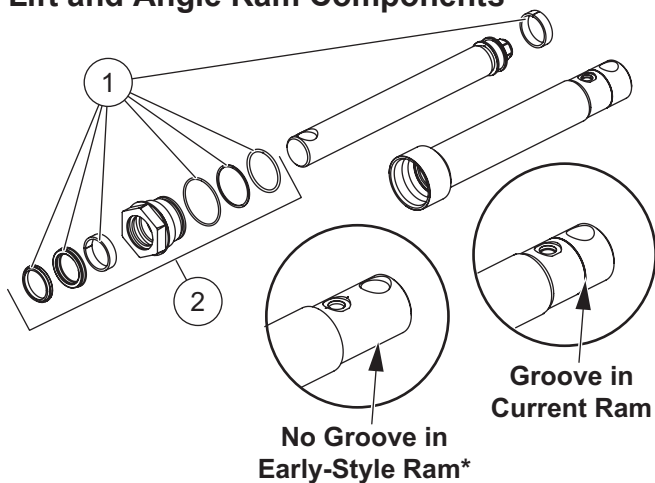
72352 Hydraulic Unit 72353* Hydraulic Unit Service Kit (not used for central hydraulics)							
Item	Part	Qty	Description	Item	Part	Qty	Description
1	21500K-1	1	Motor, 4-1/2	18	7639K-2	3	Coil w/Spades
2	22344K	1	Elbow, Street 90° w/Breather	19 [‡]	66515	1	Pump Shaft Seal
3	21727-2	1	Breather Pressure Control	20	77929	3	Elbow, 90° –6 M JIC/–6 M ORB
4	21726	1	Elbow, Street 90° 3/8 M NPTF/ 3/8 F NPTF	21	21501K-1	1	Hydraulic Pump Kit
5	42294-2	1	Valve Manifold Assembly	22	56274	1	O-Ring -013
6	42292-2	1	Manifold Assembly	23	56416	1	O-Ring -014
7	56662	1	Quill Assembly	24	26781-4	1	Suction Filter
8	56315	1	Back-Up O-Ring -006	25	66519	1	O-Ring 2-250
9	25622	1	O-Ring -006	26	21830	1	Reservoir Kit
10	7630K	1	Poppet Check Valve Kit	27	66607	4	#10-24 x 5/16 Slotted Hex Washer-Head Machine Screw
11	92960	2	Plug, Hex Socket –3 M ORB	28	92079	1	Plug, Square 3/8 NPTF
12	56507	1	Bypass Check Valve Kit	29	92095	1	Plug, Hex Socket 1/4 NPTF w/Thread Sealant – SAE 130109N/P
13	7629K-4	2	Relief Valve Kit (set of 2)	30	90073	5	5/16-18 x 2-1/4 Hex Cap Screw
14 [†]	64596-1	1	Sleeve Bearing and Shaft Seal Kit	31	66405	1	Return Screen Assembly
15	7637K-1	1	Cartridge Valve, 4-Way w/Nut	32	73897	1	Magnet
16	66608K-1	1	Cartridge Valve, 3-Way w/Nut	33	66763-1	1	Inlet Fitting/Filter Kit
17	7634K-2	1	Valve, 2-Way w/Nut				
O-Ring Service Kits							
–	7632K-5	–	O-Ring & Back-Up Ring Kit	–	49259-2	–	Seal Kit, 3-Way & 4-Way Valve
–	49258-2	–	Seal Kit, 2-Way Valve				
F = Female				M = Male			

* Includes 72352 hydraulic unit and plow-side electrical components (p. 13).

[†] Use 64589 tool for bearing sleeve replacement (includes 1 bearing).

[‡] Use 28856 tool for pump shaft seal replacement (includes 1 seal).

Lift and Angle Ram Components



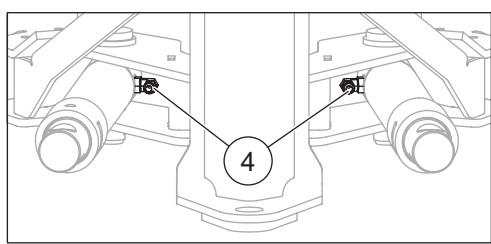
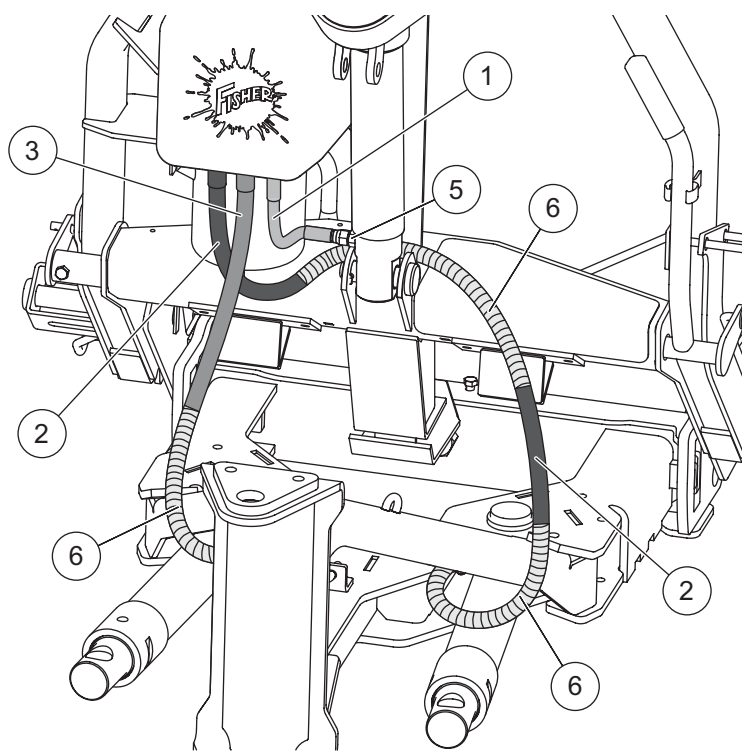
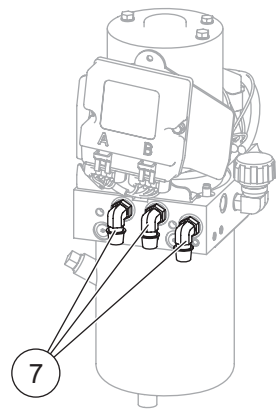
43132-1 Lift Ram Assembly 1-3/4 x 10			
Item	Part	Qty	Description
1	77924	1	Seal Kit
2	43135	1	Gland Nut Assembly

76843 Angle Ram Assembly 2 x 12-1/2			
Item	Part	Qty	Description
1	51427	2	Wear Ring
2	57125	1	Gland Nut Assembly

Angle ram accessory: 72392 Gland Nut Wrench Kit

* Early-style lift rams are obsolete and should be replaced with current-style lift ram.

Hoses and Fittings



Hoses and Fittings							
Item	Part	Qty	Description	Item	Part	Qty	Description
1	56832	1	Hose, 1/4 x 8 w/F JIC Ends	5*	49526	1	Connector, Short -6 M JIC/-6 M ORB
2	44867	1	Hose, 3/8 x 57 w/F JIC Ends	6	57693	5	Hose Wrap
3	44348	1	Hose, 3/8 x 42 w/F JIC Ends	7	77929	3	Elbow, 90° -6 M JIC/-6 M ORB w/Screen
4	56725	2†	Elbow, 90° -6 M JIC/-6 M ORB				

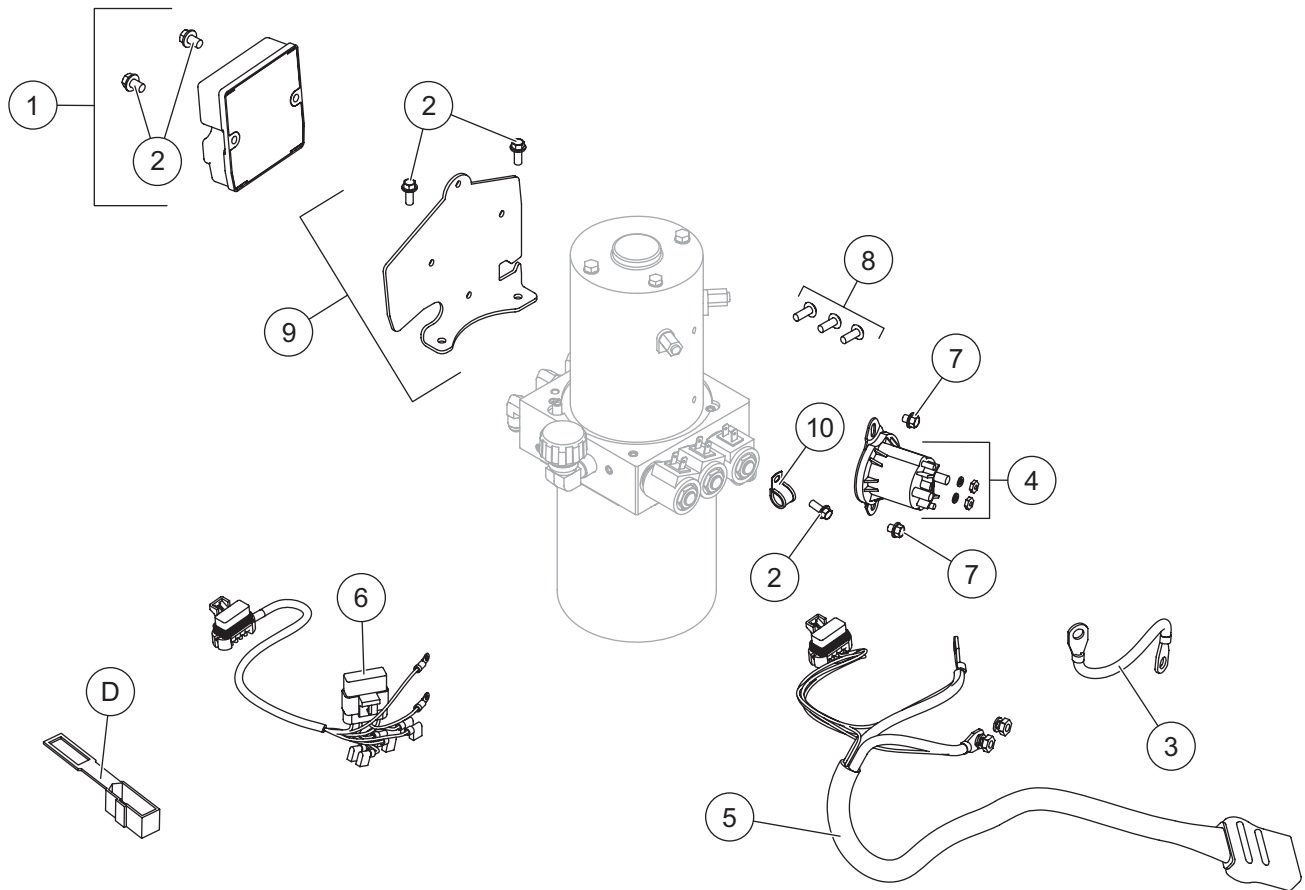
F = Female

M = Male

* Not used for central hydraulics.

† Qty 3 for central hydraulics applications.

Electrical Components



Plow-Side Electrical Components							
Item	Part	Qty	Description	Item	Part	Qty	Description
1	49567	1	Plow Module, 2-Port	7	29099	2	1/4-20 x 1/4 Hex Washer-Head Thread-Rolling Screw
2	44355	5	1/4-20 x 5/8 Hex Washer-Head Thread-Rolling Screw	8	72384-1	1	3/8-16 x 1 Serrated Flange Hex Cap Screw (pkg of 3)
3	29071	1	Cable Assembly 8"	9	42287	1	Bracket – Plow Module
4	42901	1	Motor Relay Kit FLEET FLEX System	10	49522	1	Clamp Loop Kit
5	42015	1	Snowplow Battery Cable	ns	56099	1	Dielectric Grease
6	28581-1	1	Harness Plow Control, 3-Solenoid	ns = not shown			

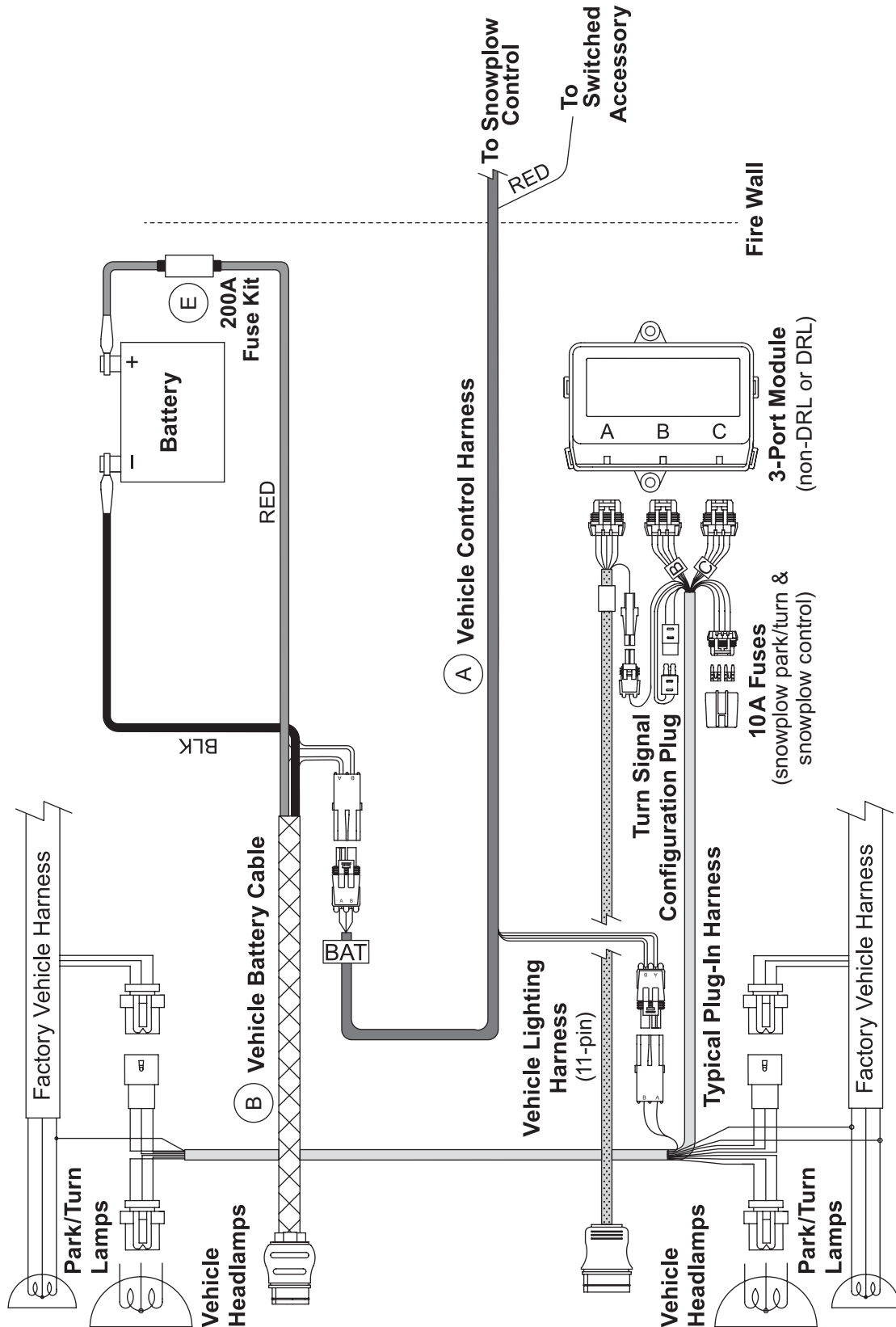
Vehicle-Side Electrical Components (diagrams on following pages)							
A†	28587	1	Vehicle Control Harness	D	61548K	1	Plug Cover Kit (shown with plow-side electrical components)
B†	72527	1	Vehicle Battery Cable	E†‡	90730	1	200A Fuse Kit
C†	26498	1	Vehicle Control Harness – Central Hydraulics				

* Not used for central hydraulics.

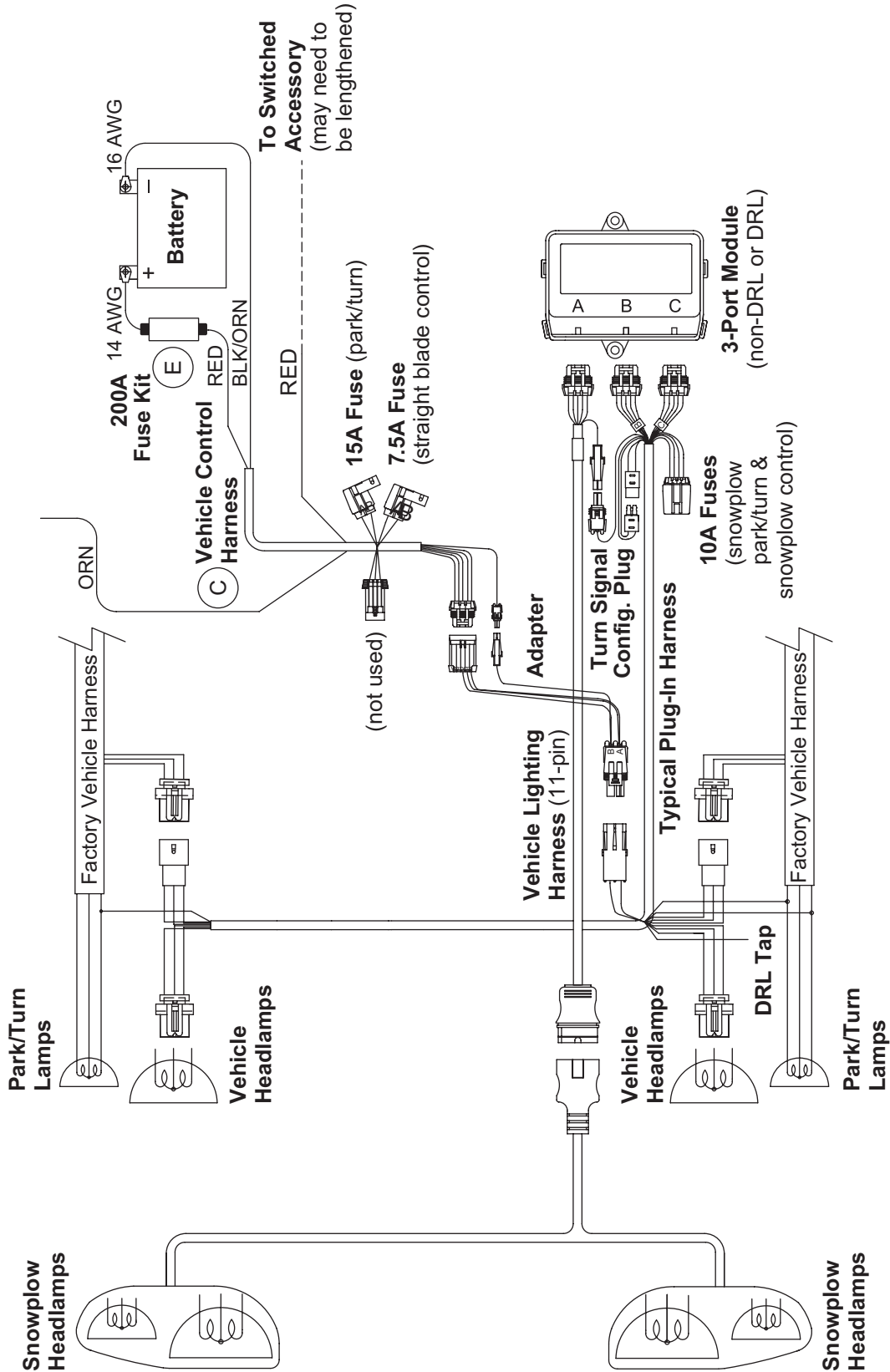
† For diagram, see Vehicle-Side Harness Diagram – 3-Port, 2-Plug System.

‡ For diagram, see Vehicle-Side Harness Diagram – Central Hydraulics.

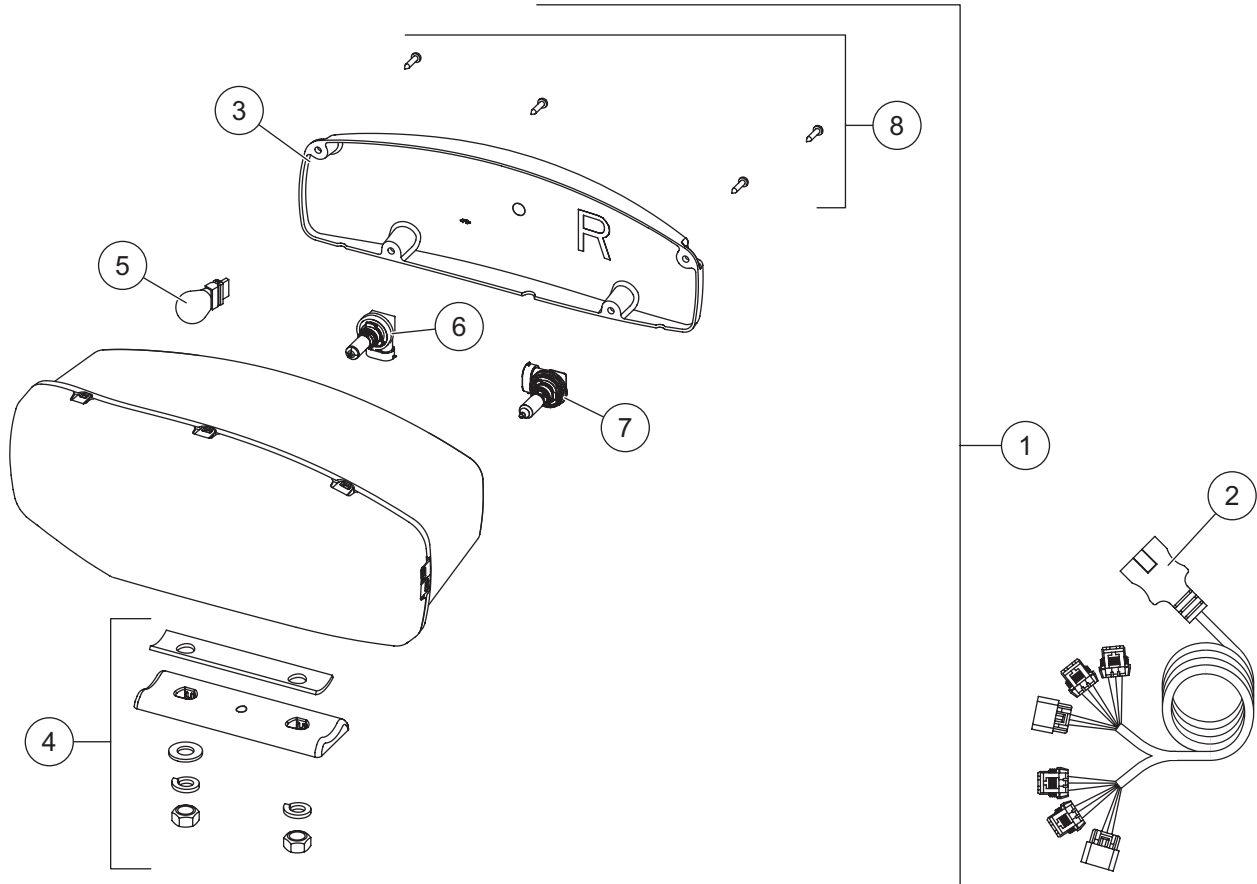
Vehicle-Side Harness Diagram – 3-Port, 2-Plug System



Vehicle-Side Harness Diagram - Central Hydraulics

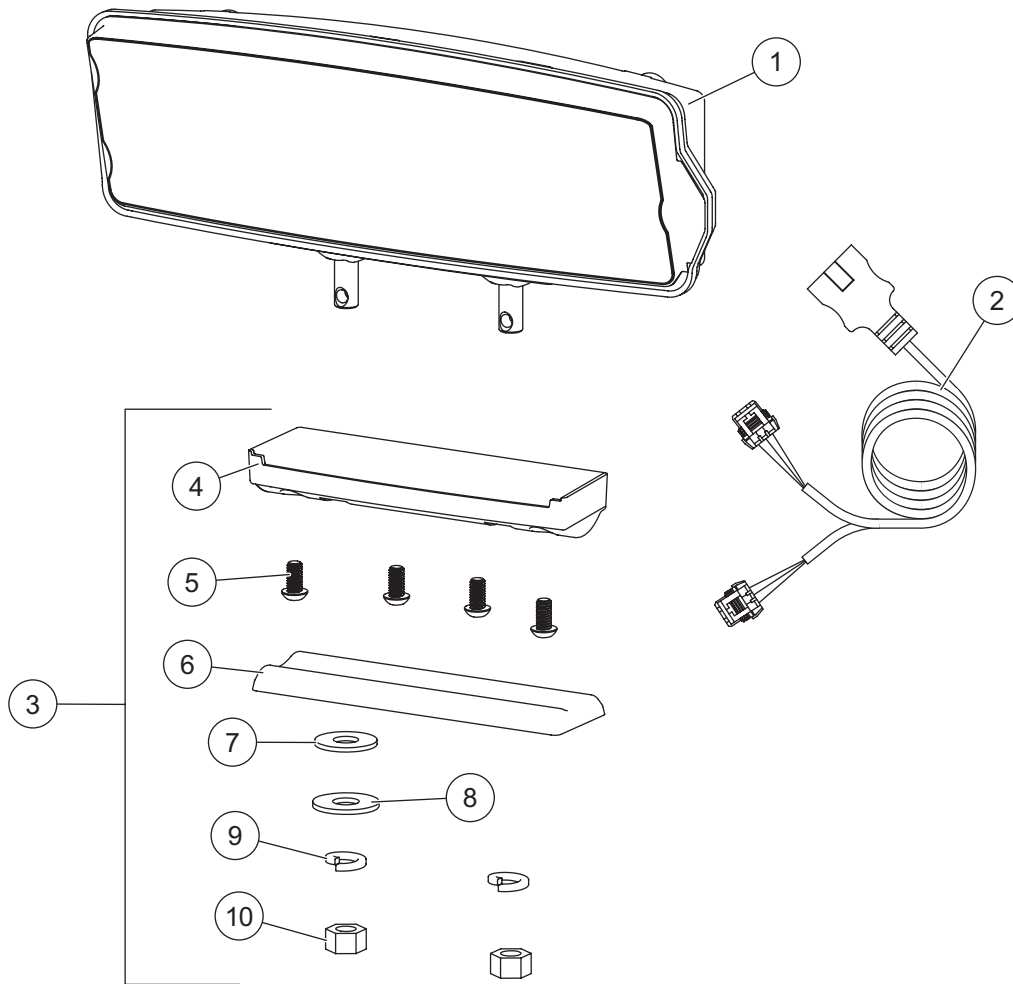


Headlamp Kit – Halogen



38800 Headlamp Kit H9/H11 (pair)							
Item	Part	Qty	Description	Item	Part	Qty	Description
1	38802	1	Headlamp Service Kit H9/H11 – PS	2	38807	1	Harness Service Kit H9/H11
ns	38801	1	Headlamp Service Kit H9/H11 – DS				
Item 1	38801/38802 Headlamp Service Kit H9/H11 – PS/DS						
3	38803	1	Rear Cover Kit H9/H11 – PS	6	38811	1	Headlamp Bulb Service Kit H11
ns	38812	1	Rear Cover Kit H9/H11 – DS	7	38809	1	Headlamp Bulb Service Kit H9
4	38804	1	Mounting Hardware Kit H9/H11	8	38808	1	Cover Screws Service Kit H9/H11 (pkg of 4)
5		1	Park/Turn Bulb (trade no. 4157NAK)				
ns = not shown							

Headlamp Kit – LED



Headlamp Kit LED							
Item	Part	Qty	Description	Item	Part	Qty	Description
1	39901	1	Headlamp Service Kit LED – DS	3	39903	1	Mounting Hardware Kit LED
ns	39902	1	Headlamp Service Kit LED – PS	ns	72512	1	LED Harness Connector Cover (pkg of 2)
2	72548	1	Harness Service Kit LED				
Item 3				39903 Mounting Hardware Kit LED			
4		1	Plastic Casing	8		1	1/2 Flat Washer
5		4	1/4 Button Cap Screw	9		2	1/2 Lock Washer
6		1	Headlamp Swivel	10		2	1/2 Hex Nut
7		1	1/2 Rubber Washer	ns		1	Metal Insert
ns = not shown							



Fisher Engineering
50 Gordon Drive
Rockland, ME 04841-2139
www.fisherplows.com

A DIVISION OF FISHER, LLC

Copyright © 2023 Douglas Dynamics, LLC. All rights reserved. This material may not be reproduced or copied, in whole or in part, in any printed, mechanical, electronic, film, or other distribution and storage media, without the written consent of Fisher Engineering. Authorization to photocopy items for internal or personal use by Fisher Engineering outlets or snowplow owner is granted.

Fisher Engineering reserves the right under its product improvement policy to change construction or design details and furnish equipment when so altered without reference to illustrations or specifications used. Fisher Engineering or the vehicle manufacturer may require or recommend optional equipment for snow removal. Do not exceed vehicle ratings with a snowplow. Fisher Engineering offers a limited warranty for all snowplows and accessories. See separately printed page for this important information. The following are registered (®) or unregistered (™) trademarks of Douglas Dynamics, LLC: FISHER®, Minute Mount® 2, SECURITY GUARD™, SnoFoil®, STORM GUARD™.

Printed in U.S.A.