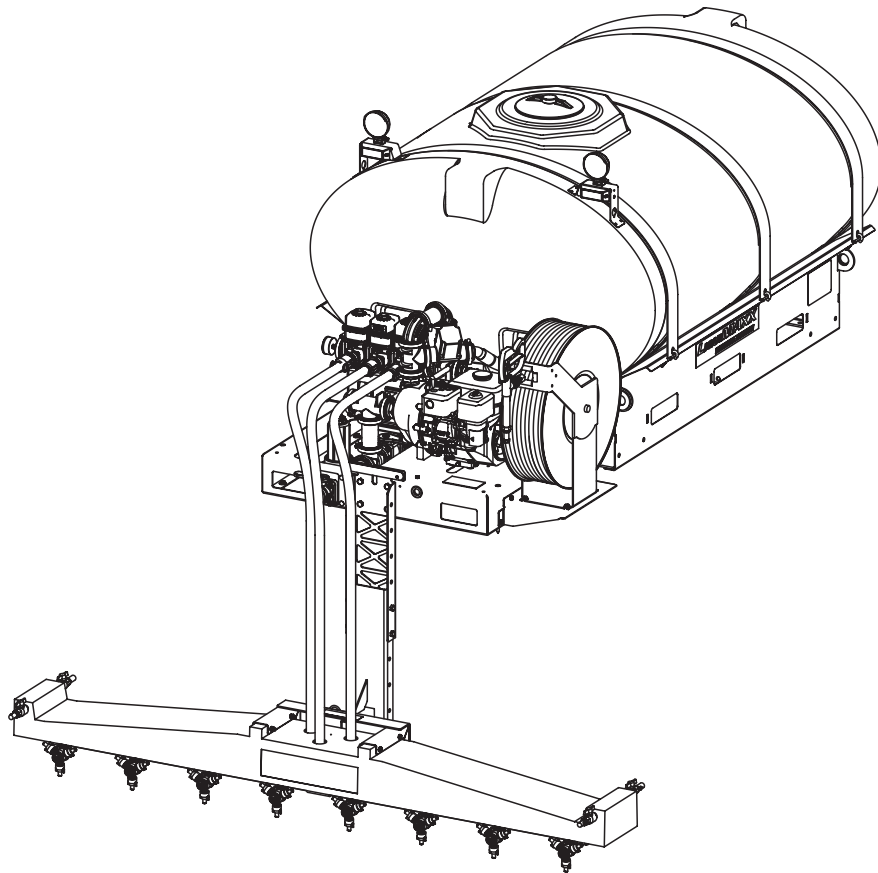




# Liqui Maxx™ Sprayer Systems

## Parts List

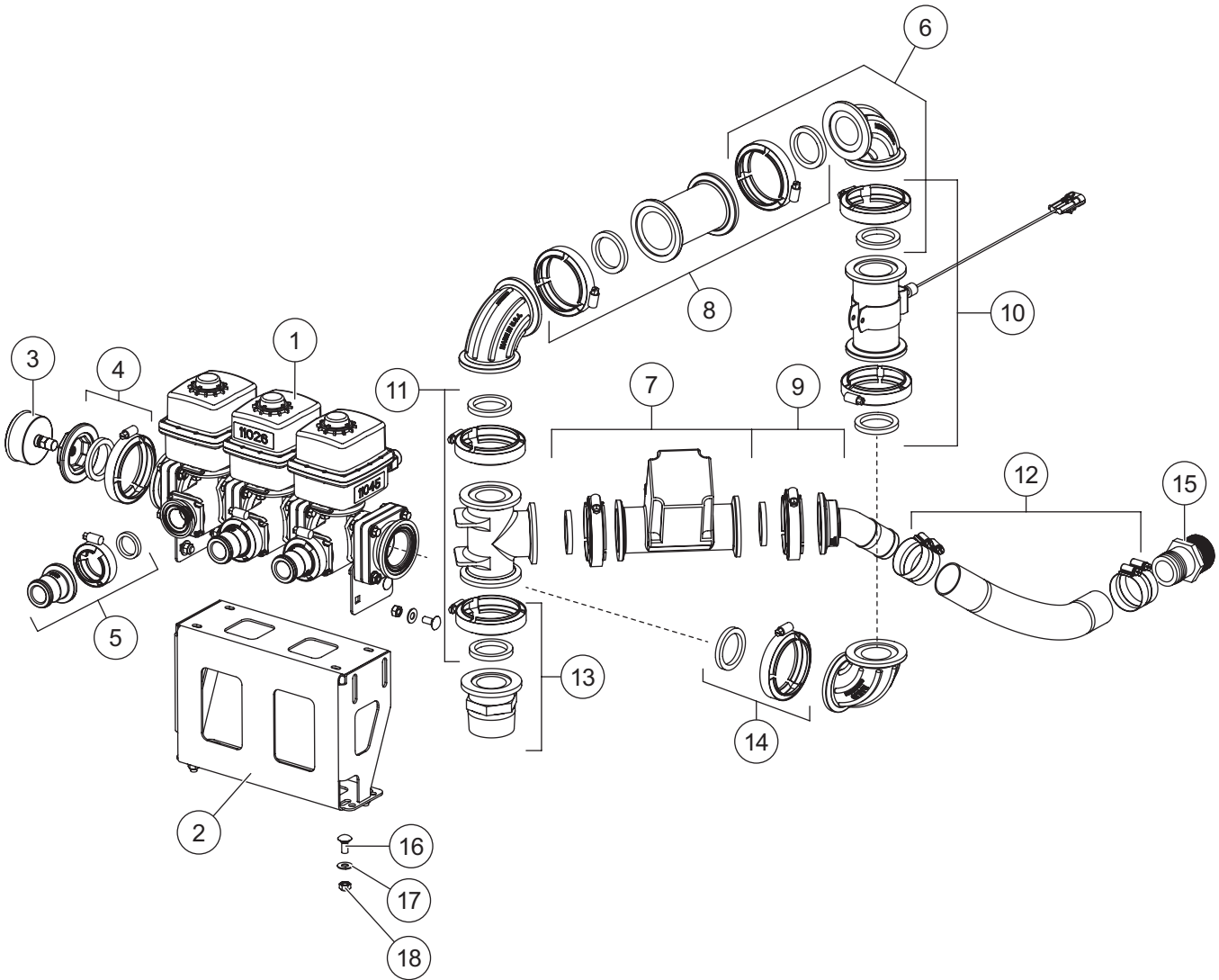


This Parts List is for Liqui Maxx equipment with serial numbers beginning with 170802 and higher.



# HFD-200 PUMP PLATFORM

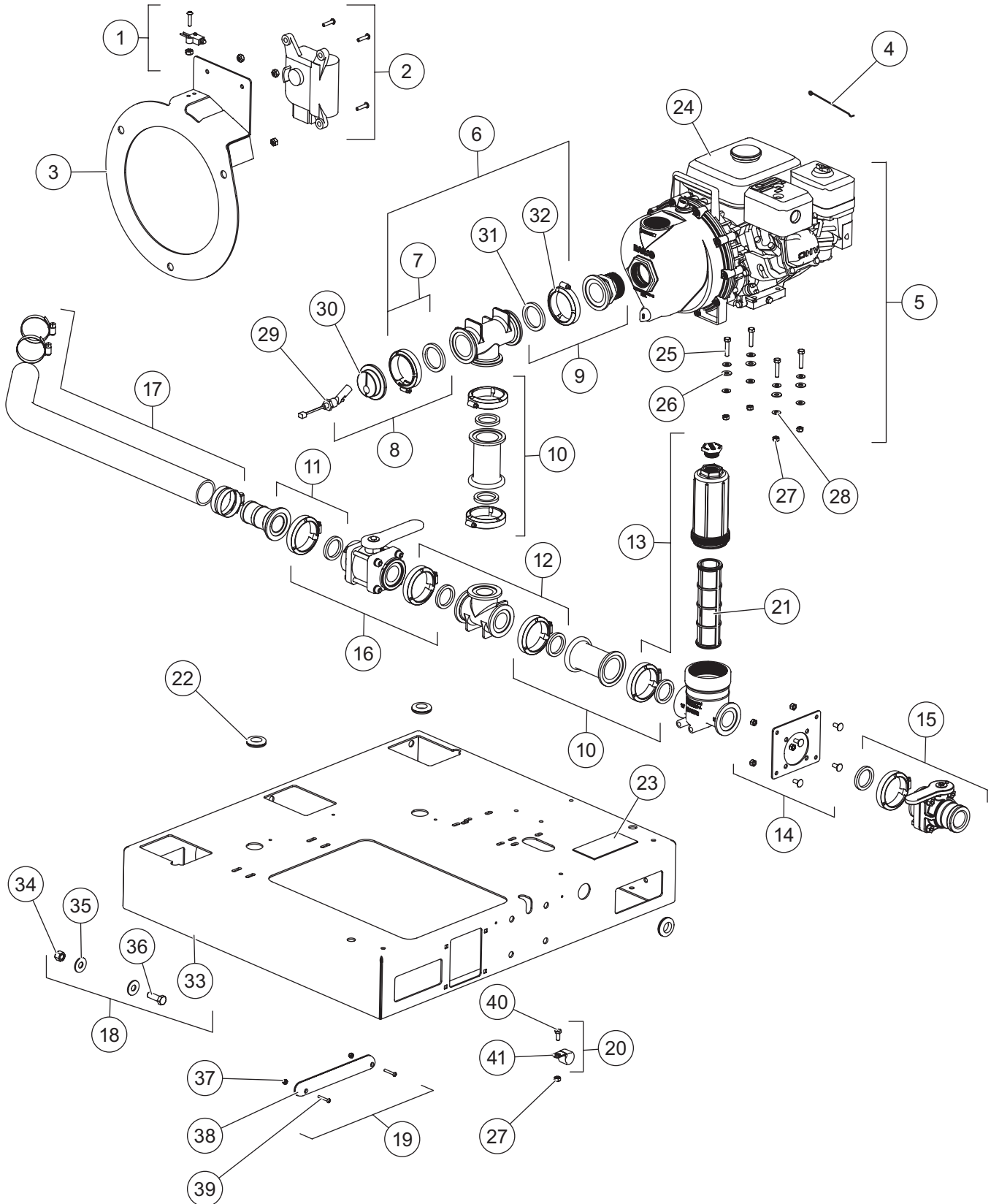
## OUTPUT & MANIFOLD PLUMBING ASSEMBLY



Output & Manifold Plumbing Assembly							
Item	Part	Qty	Description	Item	Part	Qty	Description
1	76401	1	Electric Valve Assembly Kit	9	76185	1	Hose Barb Kit, 2"-1-1/2 Flange, 45°
2	76344	1	Valve Mount Bracket Kit	10	76158	1	Flow Meter Kit, 2" Flange
3	F51823	1	Gauge, Back Mount, 0-100 psi	11	76140	1	Tee Kit, 2" Flange
4	76153	1	Reducer Kit, 2" Flange - 1/4 NPT	12	76159	1	Hose Kit, 1-1/2 x 16
5	76152	3	Quick-Connect, 1" Flange - QDC	13	76142	1	Connection Kit, 2" Flange - MNPT
6	76143	3	Elbow Kit, 2" Flange	14	76147	10	Manifold Clamp & Seal, 2" Flange
7	76155	1	Servo Valve Kit, 2" Flange	15	57072	1	Hose Barb, Straight, 1-1/2
8	76139	1	Coupler Kit, 2" Flange				
<b>Item 2</b>				<b>76344 Valve Mount Bracket Kit</b>			
16		8	5/16-18 x 1 Hex Cap Screw SS	18		8	5/16-18 Hex Locknut SS
17		8	5/16 Flat Washer SS				
SS = Stainless Steel							

# HFD-200EX PUMP PLATFORM

## BASE, PUMP & INPUT PLUMBING ASSEMBLY

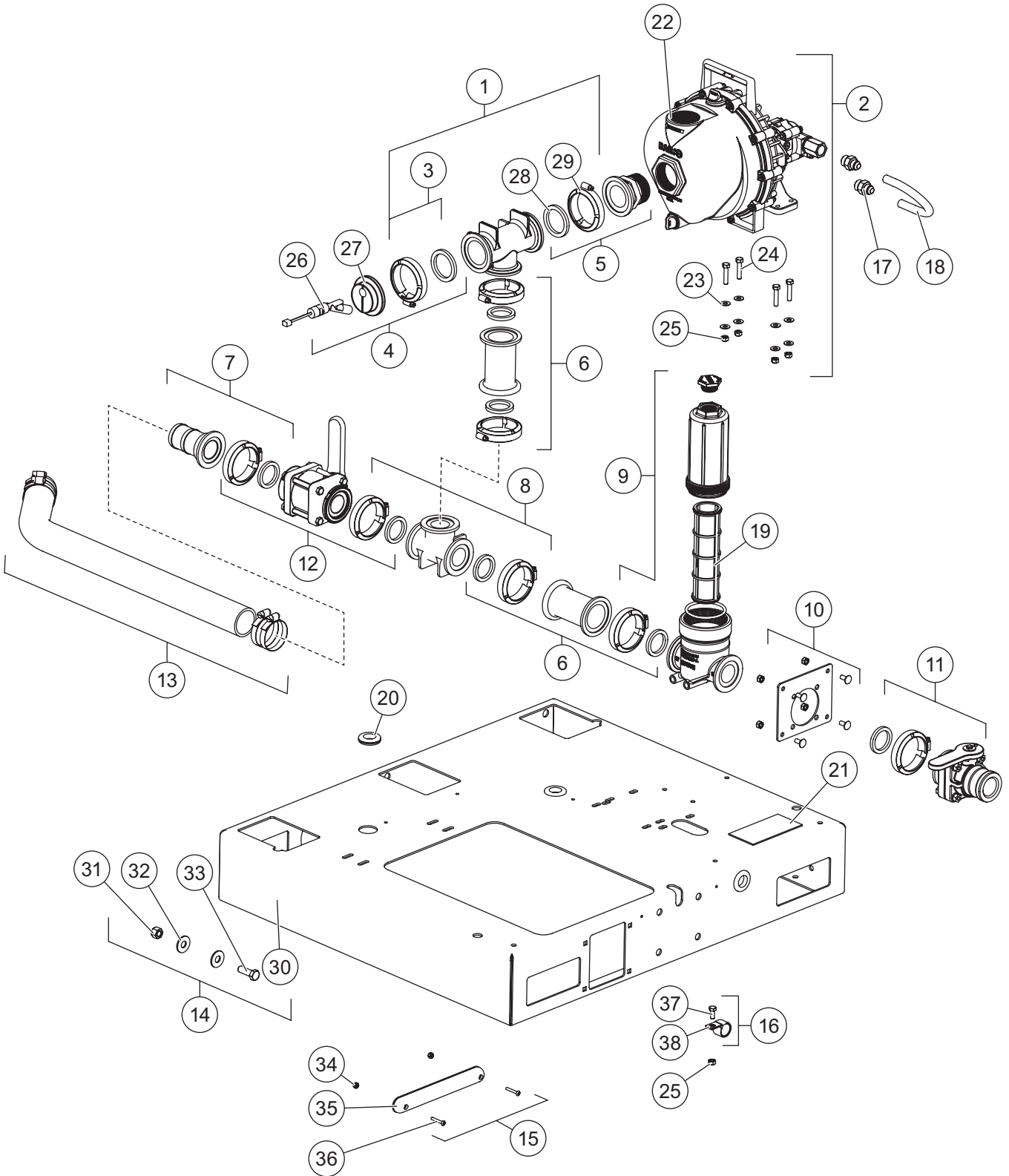


## HFD-200EX PUMP PLATFORM

Base, Pump & Input Plumbing Assembly							
Item	Part	Qty	Description	Item	Part	Qty	Description
1	11714	1	Limit Switch Kit	13	76138	1	Line Strainer Kit, 2" Flange
2	11715	1	Choke Motor Kit	14	11719	1	Fill Valve Plate Kit
3	11129	1	Choke Actuator Bracket	15	76145	1	Ball Valve Kit, 2" Flange – QDC
4	85246	1	Choke Actuator Wire Form	16	76141	1	Ball Valve Kit, 2" Flange
5	11713	1	Electric Start Engine Pump Kit	17	76144	1	Hose Kit, 2 x 45
6	11716	1	Reducing Tee Kit	18	76150	1	Pump Base Kit
7	76147	9	Manifold Clamp & Seal, 2" Flange	19	10872	1	CHMSL Kit
8	11717	1	Float Level Switch Kit	20	11720	1	Wire Clamp Kit
9	11718	1	2" Full Port Connector Kit	21	76137	1	Element, Line Strainer, 2" Flange
10	76139	2	Coupler Kit, 2" Flange	22	D5602	3	Grommet
11	76136	1	Barb Kit, Straight, 2" Flange	23	10817	1	Label – Warning, Safety Goggles
12	76140	1	Tee Kit, 2" Flange				
<b>Item 5 11713 Electric Start Engine Pump Kit</b>							
24		1	Electric Start Engine	27		5	5/16-18 Locknut
25		4	5/16-18 x 1-1/2 Hex Cap Screw SS	28		8	5/16 Flat Washer SS
26		4	5/16 Flat Washer Nylon				
<b>Item 8 11717 Float Level Switch Kit</b>							
29		1	Float Switch 1/2 NPT	30		1	Level Switch Coupling
<b>Item 9 11718 2" Full Port Connector Kit</b>							
31		2	Flange Gasket, 2" Full Port	32		9	Flange Clamp, Worm Screw
<b>Item 18 76150 Pump Base Kit</b>							
33		1	Mounting Base	35		6	1/2 Flat Washer USS
34		6	1/2-13 Locknut	36		6	1/2-13 x 1-1/2 Hex Cap Screw
<b>Item 19 10872 CHMSL Kit</b>							
37		2	#10-32 Locknut SS	39		2	#10-32 x 1-1/4 Machine Screw SS
38		1	CHMSL Brake Light				
<b>Item 20 11720 Wire Clamp Kit</b>							
40		1	5/16-18 x 3/4 Hex Cap Screw SS	41		1	1" Clamp Rubber Coated
SS = Stainless Steel							

# HFD-200HYD PUMP PLATFORM

## BASE, PUMP & INPUT PLUMBING ASSEMBLY

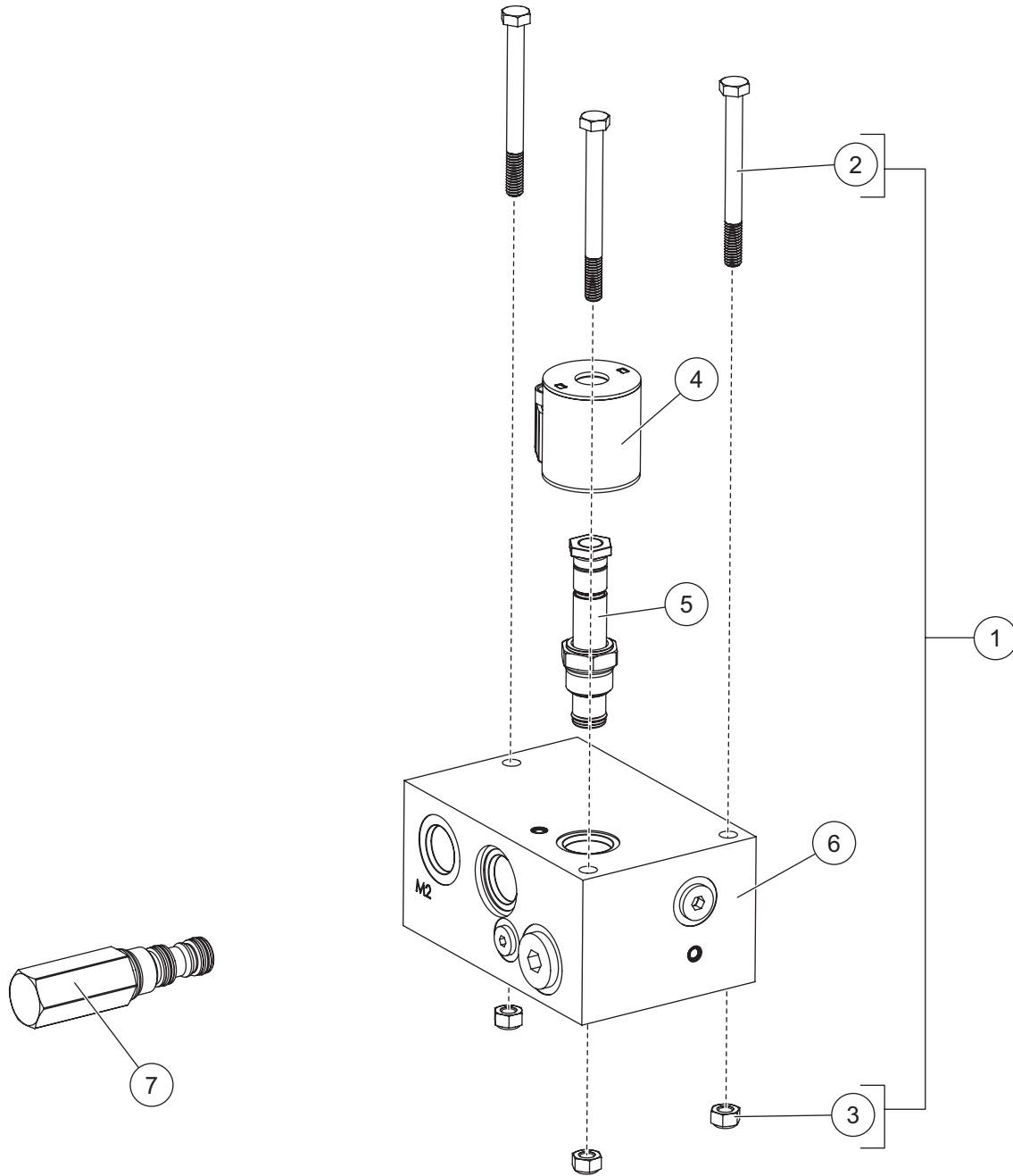


## HFD-200HYD PUMP PLATFORM

<b>Base, Pump &amp; Input Plumbing Assembly</b>							
<b>Item</b>	<b>Part</b>	<b>Qty</b>	<b>Description</b>	<b>Item</b>	<b>Part</b>	<b>Qty</b>	<b>Description</b>
1	11716	1	Reducing Tee Kit	12	76141	1	Ball Valve Kit, 2" Flange
2	11721	1	Hydraulic Drive Pump Kit	13	76144	1	Hose Kit, 2 x 45
3	76147	9	Manifold Clamp & Seal, 2"	14	76150	1	Pump Base Kit
4	11717	1	Float Level Switch Kit	15	10872	1	CHMSL Kit
5	11718	1	2" Full Port Connector Kit	16	11720	1	Wire Clamp Kit
6	76139	2	Coupler Kit, 2" Flange	17	11199	4	Hydraulic Hose Connector
7	76136	1	Barb Kit Straight, 2" Flange	18	11214	2	Hydraulic Pump Hose
8	76140	1	Tee Kit, 2" Flange	19	76137	1	Element, Line Strainer, 2" Flange
9	76138	1	Line Strainer Kit, 2" Flange	20	D5602	3	Grommet
10	11719	1	Fill Valve Plate Kit	21	10817	1	Label – Warning, Safety Goggles
11	76145	1	Ball Valve Kit, 2" Flange – QDC				
<b>Item 2</b>				<b>11721 Hydraulic Drive Pump Kit</b>			
22		1	Hydraulic Pump	24		4	5/16-18 x 1-1/2 Hex Cap Screw SS
23		8	5/16 Flat Washer SS	25		5	5/16-18 Locknut
<b>Item 4</b>				<b>11717 Float Level Switch Kit</b>			
26		1	Float Switch 1/2 NPT	27		1	Level Switch Coupling
<b>Item 5</b>				<b>11718 2" Full Port Connector Kit</b>			
28		2	2" Full Port Flange Gasket	29		9	Flange Clamp, Worm Screw
<b>Item 14</b>				<b>76150 Pump Base Kit</b>			
30		1	Mounting Base	32		6	1/2 Flat Washer SS
31		6	1/2-13 Locknut	33		6	1/2-13 x 1-1/2 Hex Cap Screw
<b>Item 15</b>				<b>10872 CHMSL Kit</b>			
34		2	#10-32 Locknut SS	36		2	#10-32 x 1-1/4 Machine Screw SS
35		1	CHMSL Brake Light				
<b>Item 16</b>				<b>11720 Wire Clamp Kit</b>			
37		1	5/16-18 x 3/4 Hex Cap Screw SS	38		1	1" Clamp Rubber Coated
SS = Stainless Steel							

# HYDRAULIC MANIFOLD

## HYDRAULIC MANIFOLD ASSEMBLY



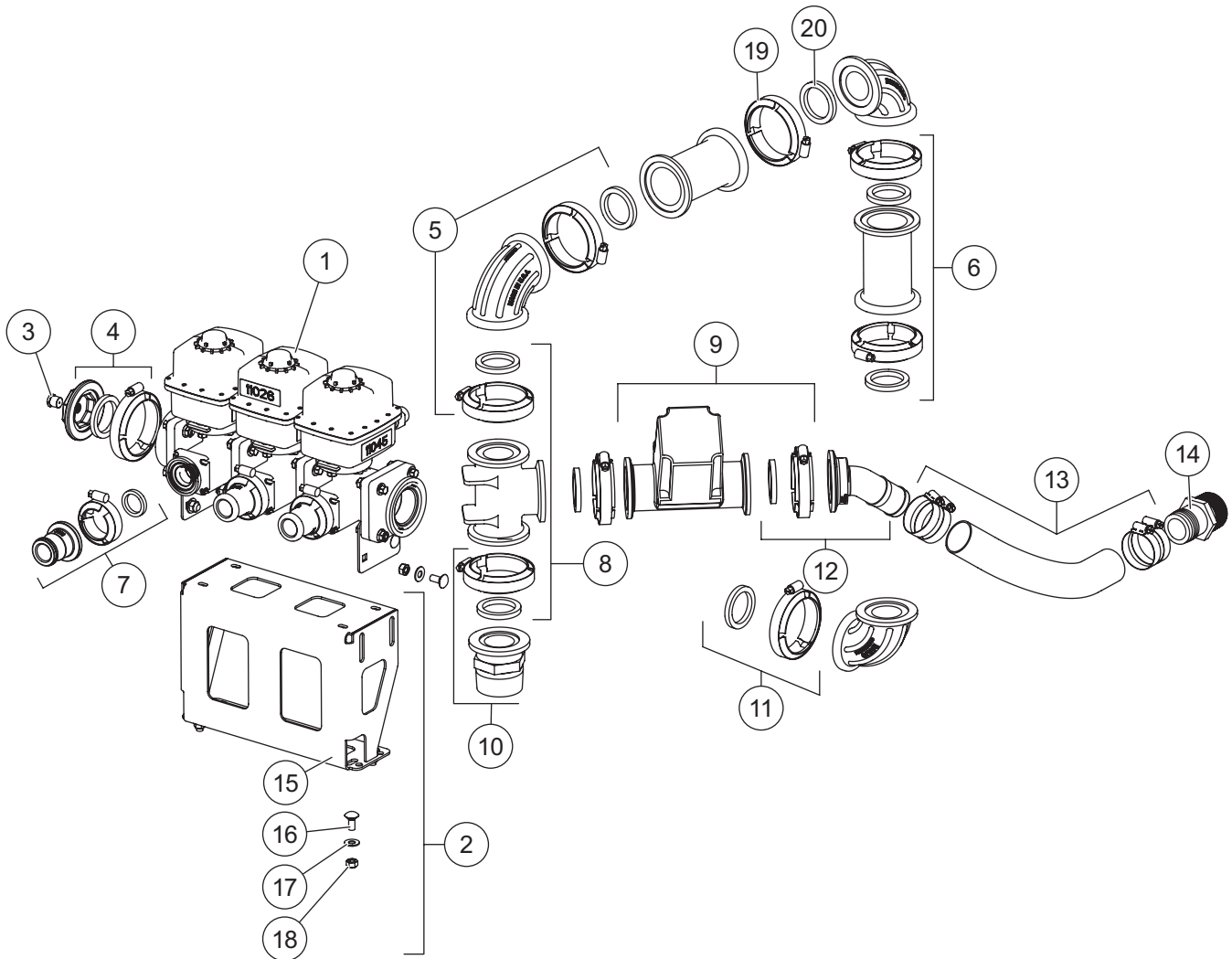
Hydraulic Manifold Assembly							
Item	Part	Qty	Description	Item	Part	Qty	Description
1	11723	1	Manifold Mounting Kit	5	11205	1	Poppet, 2-Way, NC
2		3	5/16-18 x 3-1/2 Hex Cap Screw	6	11215	1	Hydraulic Manifold Block
3		3	5/16-18 Waxed Locknut SS	7	11206	1	Piloted Spool Logic Element
4	11208	1	Coil, 12V DC, Metric-Pack 150				

SS = Stainless Steel



# HFS-100 MANIFOLD ASSEMBLY

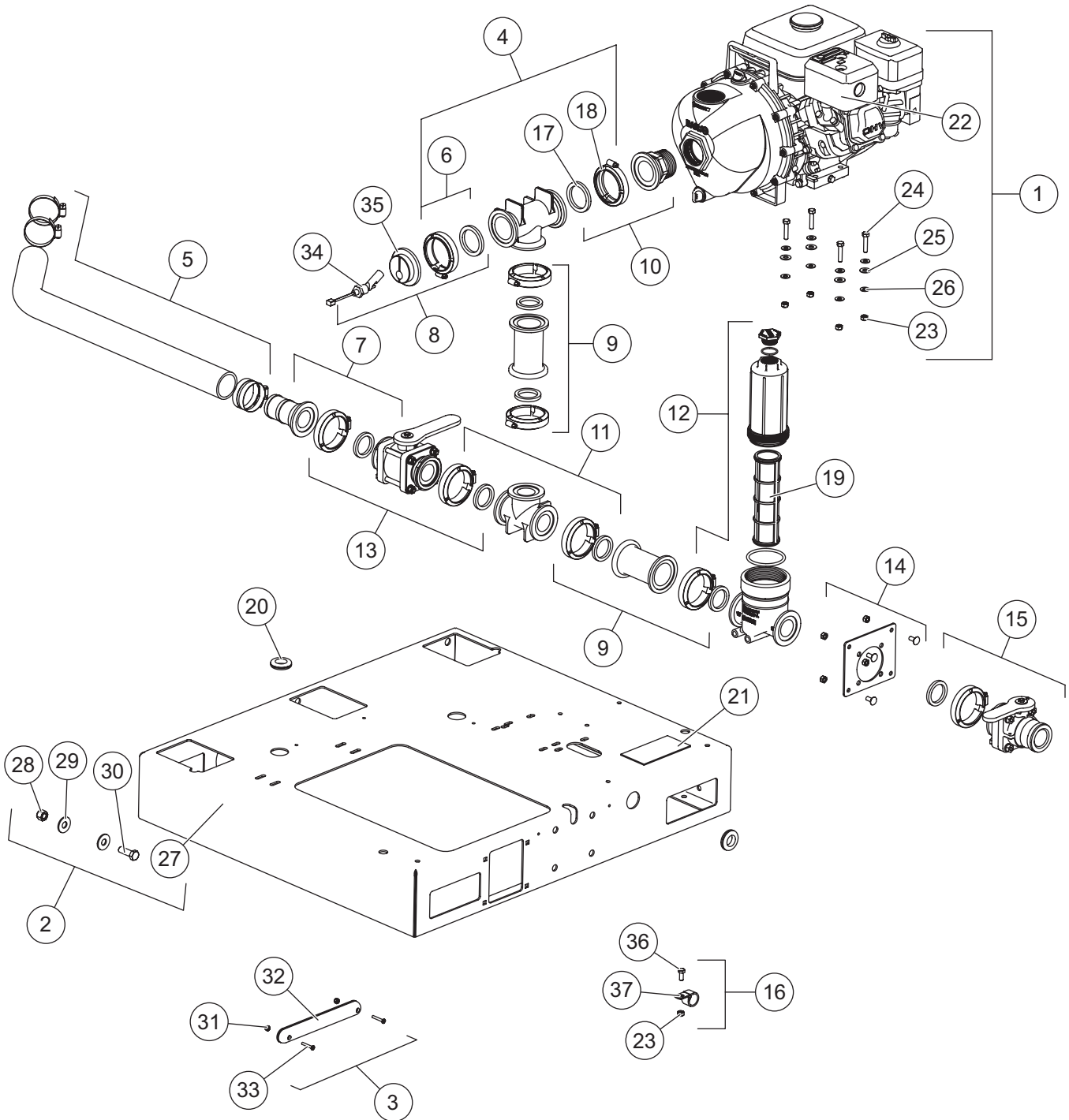
## OUTPUT & MANIFOLD PLUMBING ASSEMBLY



Output & Manifold Plumbing Assembly							
Item	Part	Qty	Description	Item	Part	Qty	Description
1	76401	1	Electric Valve Assembly Kit	8	76140	1	Tee Kit, 2"
2	76344	1	Valve Mount Bracket Kit	9	76155	1	Servo Valve Kit, 2" Flange
3	11028	1	Tube Adapter, 1/8 x 1/4 NPT	10	76142	1	Connection Kit, 2" Flange – MNPT
4	76153	1	Reducer Kit, 2" Flange – 1/4" NPT	11	76147	10	Manifold Clamp & Seal, 2" Flange
5	76143	3	Elbow Kit, 2" Flange	12	76185	1	Hose Barb Kit, 2"–1-1/2" Flange, 45°
6	76139	2	Coupler Kit, 2" Flange	13	76159	1	1-1/2 x 16 Hose Kit
7	76152	3	Quick-Connect, 1" Flange – QDC	14	57072	1	1-1/2 Hose Barb, Straight
<b>Item 2</b>				<b>76344 Valve Mount Bracket Kit</b>			
15		1	Valve Mount Bracket	17		8	5/16 Flat Washer SS
16		8	5/16-18 x 3/4 Carriage Bolt SS	18		4	5/16-18 Hex Locknut SS
<b>Item 11</b>				<b>76147 Manifold Clamp &amp; Seal, 2" Flange</b>			
19		10	Clamp, Worm Screw 200 Series	20		10	Bulkhead Gasket, 1/2 x 3/4, Poly
SS = Stainless Steel							

# HFS-100-2 PUMP PLATFORM

## BASE, PUMP & INPUT PLUMBING ASSEMBLY

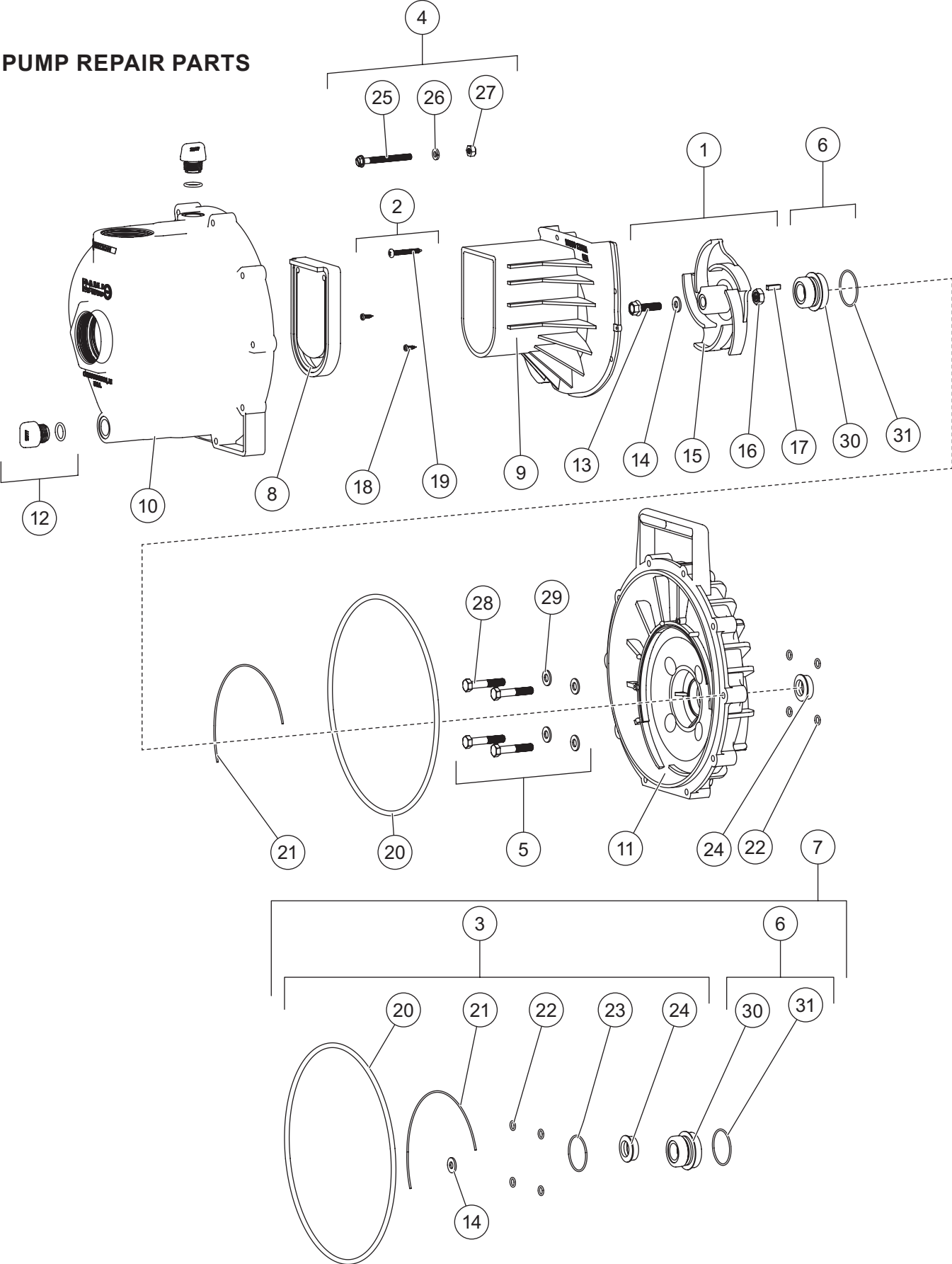


## HFS-100-2 PUMP PLATFORM

<b>Base, Pump &amp; Input Plumbing Assembly</b>							
<b>Item</b>	<b>Part</b>	<b>Qty</b>	<b>Description</b>	<b>Item</b>	<b>Part</b>	<b>Qty</b>	<b>Description</b>
1	11722	1	Engine Pump Combo Kit	12	76138	1	Line Strainer Kit, 2" Flange
2	76150	1	Pump Base Kit	13	76141	1	Ball Valve Kit, 2" Flange
3	10872	1	CHMSL Kit	14	11719	1	Fill Valve Plate Kit
4	11716	1	Reducing Tee Kit	15	76145	1	Ball Valve Kit, 2" Flange – QDC
5	76144	1	Hose Kit, 2 x 45	16	11720	1	Wire Clamp Kit
6	76147	9	Manifold Clamp & Seal, 2"	17	11148	9	Flange Gasket, 2" Full Port
7	76136	1	Barb Kit Straight, 2" Flange	18	D5187	9	Flange Clamp, Worm Screw
8	11717	1	Tank Level Switch Kit	19	76137	1	Element, Line Strainer, 2" Flange
9	76139	2	Coupler Kit, 2" Flange	20	D5602	3	Grommet
10	11718	1	2" Full Port Connector Kit	21	10817	1	Label – Warning, Safety Goggles
11	76140	1	Tee Kit, 2" Flange				
<b>Item 1</b>				<b>11722 Engine Pump Combo Kit</b>			
22		1	Engine	25		4	5/16 Flat Washer Nylon
23		5	5/16-18 Locknut	26		8	5/16 Flat Washer SS
24		4	5/16-18 x 1-1/2 Hex Cap Screw SS				
<b>Item 2</b>				<b>76150 Pump Base Kit</b>			
27		1	Mounting Base	29		12	1/2 Flat Washer USS
28		6	1/2-13 Locknut	30		6	#10-32 x 1-1/4 Screw
<b>Item 3</b>				<b>10872 CHMSL Kit</b>			
31		2	#10-32 Locknut SS	33		2	#10-32 x 1-1/4 Machine Screw SS
32		1	CHMSL Brake Light				
<b>Item 8</b>				<b>11717 Tank Level Switch Kit</b>			
34	11127	1	Float Switch 1/2 NPT	35	11123	1	Level Switch Coupling
<b>Item 16</b>				<b>11720 Wire Clamp Kit</b>			
23		1	5/16-18 Locknut	37		1	1" Clamp Rubber Coated
36		1	5/16-18 x 3/4 Hex Cap Screw SS				
SS = Stainless Steel							

# HFS-100 & HFD-200 PUMP PLATFORMS

## PUMP REPAIR PARTS

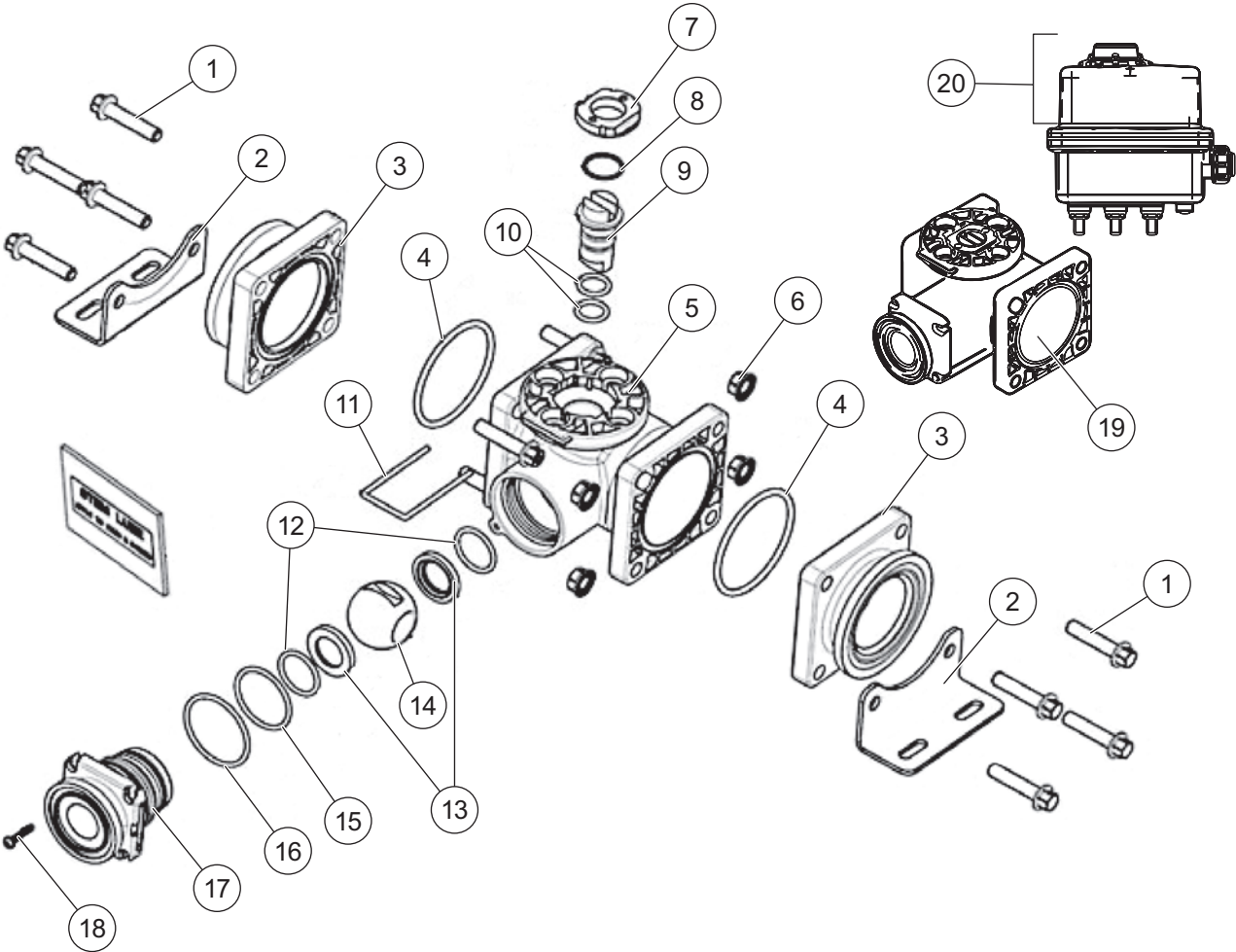


## HFS-100 & HFD-200 PUMP PLATFORMS

Pump Repair Parts							
Item	Part	Qty	Description	Item	Part	Qty	Description
1	11708	1	Impeller Kit	7	11728	1	Complete Mechanical Seal Kit
2	10856	1	Volute Hardware Kit	8	10862	1	Check Valve, Pump
3	11709	1	Seal Kit	9	10864	1	Volute
4	10858	1	Body Hardware Kit	10	10865	1	Body Assembly
5	11710	1	Pump Mounting Hardware Kit	11	11711	1	Rear Bracket
6	11712	1	Shaft Seal Assembly	12	76149	2	Threaded Plug & O-Ring
<b>Item 1</b>				<b>11708 Impeller Kit</b>			
13		1	5/16-24 Hex Flange Screw	16		1	7/16-14 Hex Nut
14		1	Impeller Bolt Gasket	17		1	3/16 Impeller Key
15		1	Pump Impeller, Poly				
<b>Item 2</b>				<b>10856 Volute Hardware Kit</b>			
18		2	#6 x 1/2 Phillips Head Screw	19		1	#10 x 1-1/2 Phillips Head Screw
<b>Item 3</b>				<b>11709 Seal Kit</b>			
14		1	Impeller Bolt Gasket	22		1	Rear Bracket O-Ring
20		1	Body O-Ring	23		1	Seal O-Ring
21		1	O-Ring Segment	24		1	Slinger
<b>Item 4</b>				<b>10858 Body Hardware Kit</b>			
25		10	Body Screw SS	27		10	Body Nut SS
26		10	Lock Washer SS				
<b>Item 5</b>				<b>11710 Pump Mounting Hardware Kit</b>			
28		4	Bracket Screw SS	29		4	Screw Head O-Ring
<b>Item 6</b>				<b>11712 Shaft Seal Assembly</b>			
30		1	Shaft Seal	31		1	Seal O-Ring
<b>Item 7</b>				<b>11728 Complete Mechanical Seal Kit</b>			
14		1	Impeller Bolt Gasket	23		1	Seal O-Ring
20		1	Body O-Ring	24		1	Slinger
21		1	O-Ring Segment	30		1	Shaft Seal
22		1	Rear Bracket O-Ring	31		1	Seal O-Ring
SS = Stainless Steel							

# HFS-100 & HFD-200 PUMP PLATFORMS

## ELECTRIC VALVE REPAIR PARTS



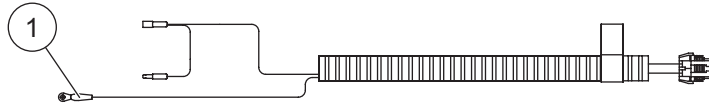
## HFS-100 & HFD-200 PUMP PLATFORMS

<b>10867 Electric Valve Repair Parts</b>							
Item	Part	Qty	Description	Item	Part	Qty	Description
1	11038	8	Flanged Hex Cap Screw	12		2	O-Ring -119, EPDM
2	11040	2	Mount Bracket SS	13		2	3/4 Seat, Virgin, PTFE
3	11037	2	Manifold End Cap	14		1	3/4 Valve Ball, 2-Way, Full Port
4		2	Standard Port Flange	15		1	O-Ring -126, EPDM
5	11041	1	3/4 Valve Body, Nylon	16		1	O-Ring -130, EPDM
6	11039	4	Flange Nut	17	11048	1	Buttress Fitting, M100, 1" Nylon
7	11042	1	Stem Retainer Bushing, Nylon	18	11049	1	#8-3/4 Screw SS
8		1	Thrust Washer, PTFE	19	11051	1	Single Manifold Valve Assembly
9	11043	1	Inline Stem SS	20	11045	1	Electric Valve Actuator
10		2	O-Ring -113, VITON	ns	11031	1	Electric Valve Triple Manifold Assembly
11	11046	1	Hairpin SS				
<b>11036 Valve Repair Kit</b>							
4			O-Ring -229, EPDM	13			3/4 Seat, Virgin, PTFE
8			Thrust Washer, PTFE	15			O-Ring -126, EPDM
10			O-Ring -113, VITON	16			O-Ring -139, EPDM
12			O-Ring -119, EPDM				
<b>11031 Electric Valve Triple Manifold Assembly</b>							
19	11051	3	Single Manifold Valve Assembly				
ns = not shown				SS = Stainless Steel			

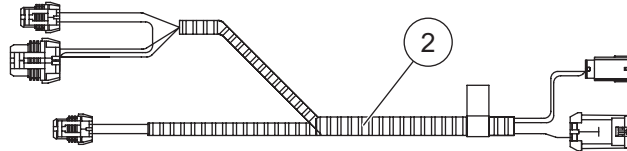
# ELECTRICAL SERVICE PARTS

## ELECTRICAL HARNESSSES

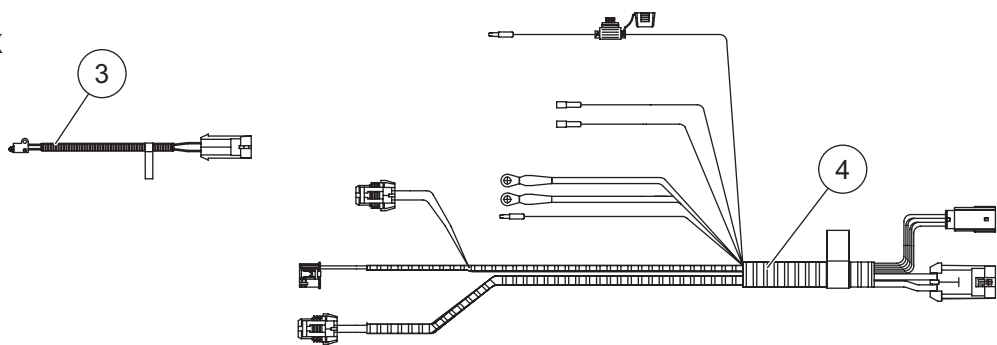
Used on HFS-100-2



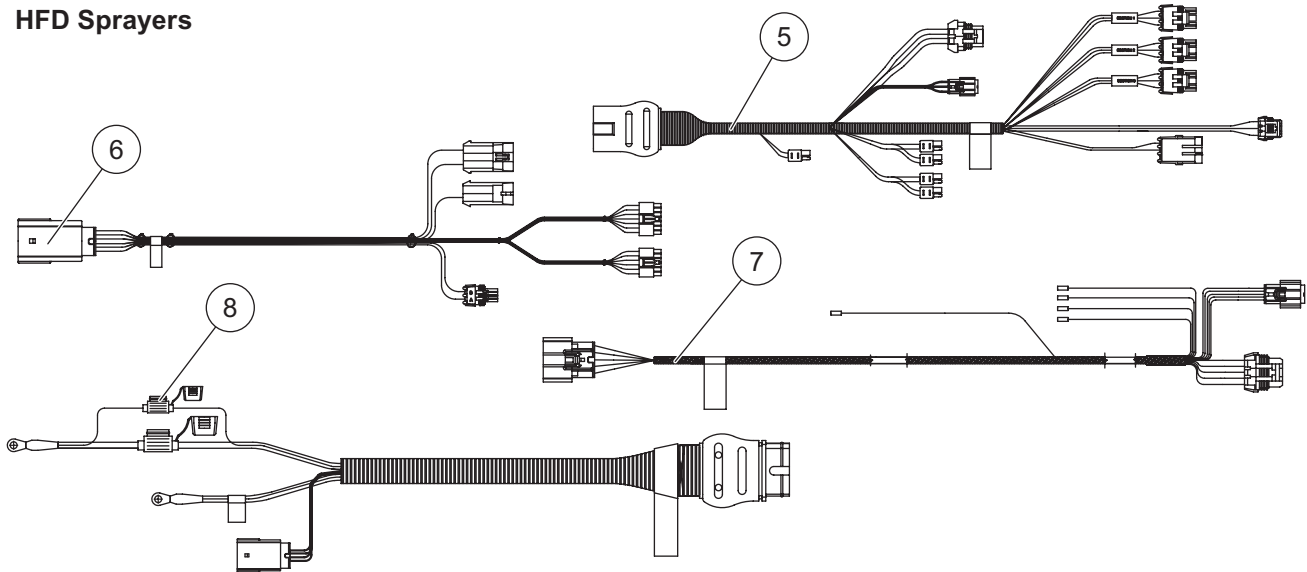
Used on HFD-200HYD



Used on HFD-200EX



HFD Sprayers



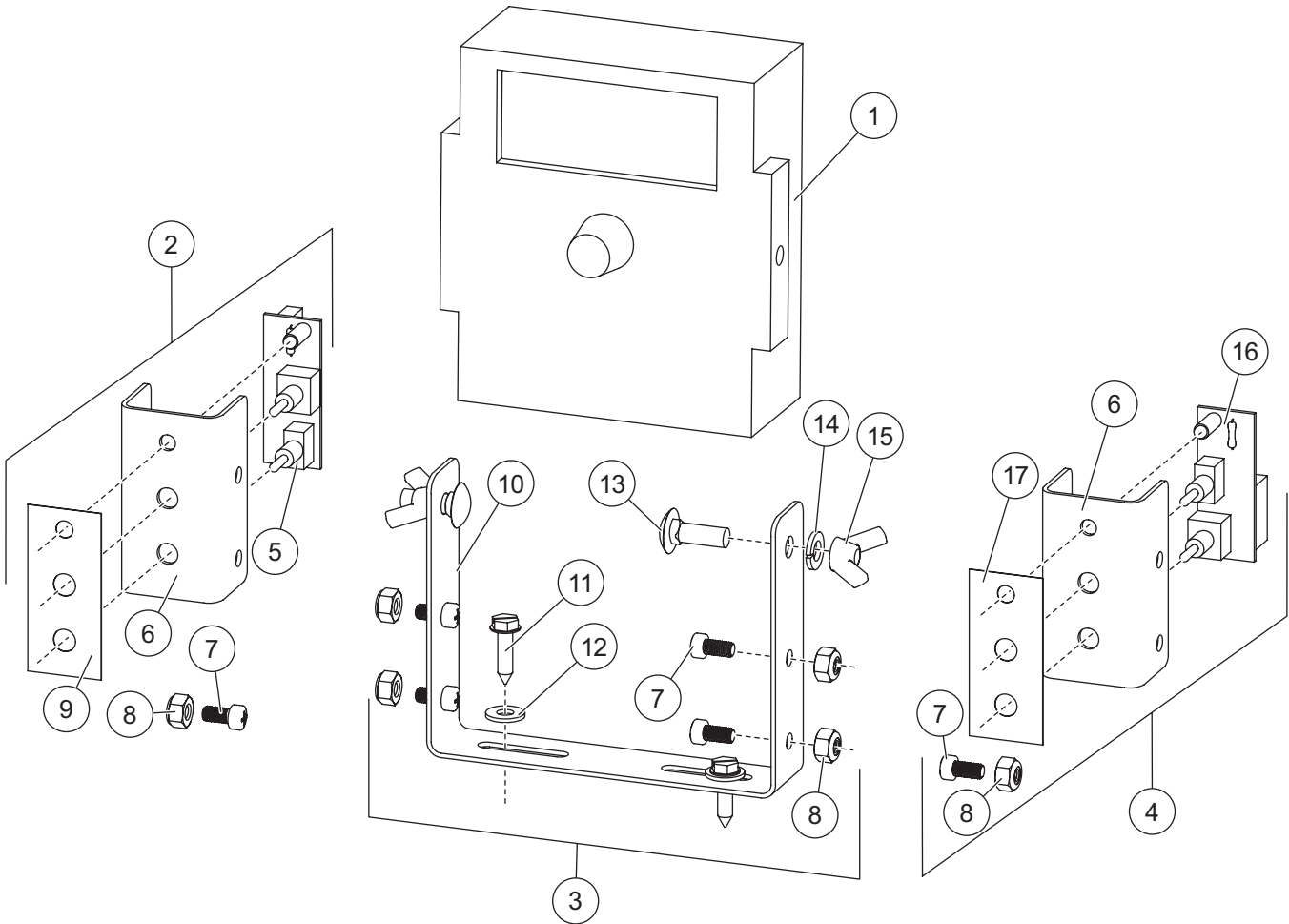
Electrical Harnesses							
Item	Part	Qty	Description	Item	Part	Qty	Description
1	72157	1	Pull Start Harness Assembly	7	72143	1	20-Pin Vehicle-Cab Harness Assy
2	72153	1	Hydraulic Harness Assembly	8	72141	1	Liqui Maxx 20-Pin Vehicle Cable Assy
3	11714	1	Limit Switch Assembly NC	ns	11758	1	HFS-100-2 Console w/Power Harness
4	72151	1	Electric Start Harness Assembly	ns	10984	1	HFS-100-2 Truck Harness / 25' Ext.
5	72155	1	20-Pin Sprayer Cable Assembly	ns	11029	1	HFS-100-2 Sprayer Branch Harness
6	72145	1	Liqui Maxx™ 12-Pin Vehicle Control Harness Assembly	ns	10982	1	HFS-100-2 5' Ext.

ns = not shown



# ELECTRICAL SERVICE PARTS

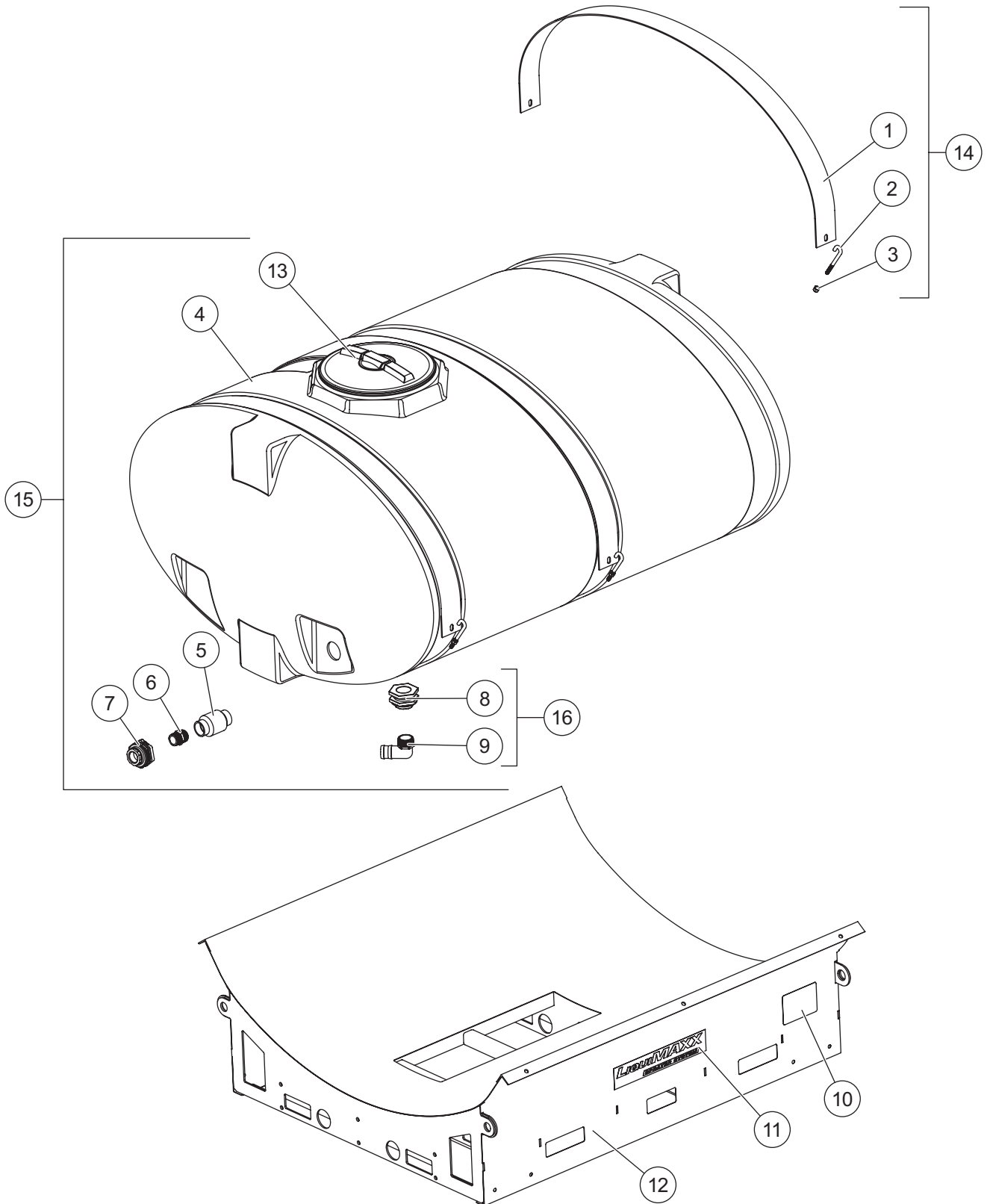
## ELECTRICAL CONTROL BRACKET ASSEMBLY



Electrical Control Bracket Assembly							
Item	Part	Qty	Description	Item	Part	Qty	Description
1	10993	1	Deluxe Sprayer Console	3	72137	1	Control Bracket
2	72148	1	Power Run/Hold Switch Kit	4	72146	1	Choke/Start Switch Kit
<b>Item 2</b>				<b>72148 Power Run/Hold Switch Kit</b>			
5		1	Power Hold Switch	8		2	#10-32 Hex Locknut GB
6		1	Switch Bracket	9		1	Label – Auxiliary Switch / Pump
7		2	#10-32 x 3/8 Fillister Head Screw SS				
<b>Item 3</b>				<b>72137 Control Bracket</b>			
7		2	#10-32 x 3/8 Fillister Head Screw SS	12		2	#10 Flat Washer
8		2	#10-32 Hex Locknut GB	13		2	1/4-20 x 3/4 Carriage Bolt SS
10		1	Control Mounting Bracket	14		2	1/4 Spring Lock Washer
11		2	#10 x 3/4 Hex Washer Head Slotted Screw	15		2	1/4-20 Wing Nut
<b>Item 4</b>				<b>72146 Choke/Start Switch Kit</b>			
6		1	Switch Bracket	16		1	Start Choke Switch Assembly
7		2	#10-32 x 3/8 Fillister Head Screw SS	17		1	Label – Auxiliary Switch / Choke
8		2	#10-32 Hex Locknut GB				
SS = Stainless Steel				G = Grade			

# TSA-750 / TSA-1250 TANK PLATFORMS

## TANK & SKID ASSEMBLY



## TSA-750 / TSA-1250 TANK PLATFORMS

TSA-750 Tank & Skid Assembly							
Item	Part	Qty	Description	Item	Part	Qty	Description
1		3	Tank Strap, 750 Gallon	10	10818	2	Label – Warning GVWR Vehicle
2		6	1/2 x 6 J-Hook Anchor Bolt	11	10808	2	Label – Liqui Maxx™ Logo, Large
3		6	1/2-13 Hex Locknut	12	F51598	1	Tank Base, 750 Gallon
4		1	Tank, 750 Gallon	13	76128	1	Tank Lid, 16"
5	57058	1	Swing Check Valve, 1-1/2 NPT	14	76133	3	Tank Strap Kit, 750 Gallon
6	57061	1	Nipple, 1-1/2 Short	15	76125	1	Tank Kit, 750 Gallon
7	57059	1	Bulkhead, 1-1/2	16	76130	1	Hose Barb & Bulkhead Kit, Outlet
8	D5184	1	Bulkhead Coupling	ns	11033†	1	Strainer Basket, 16"
9	D5190	1	Hose Barb, 2 NPT x 2				
<b>Item 14</b>				<b>76133 Tank Strap Kit, 750 Gallon</b>			
1		1	Tank Strap, 750 Gallon	3		2	1/2-13 Hex Locknut
2		2	1/2 x 6 J-Hook Anchor Bolt				
<b>Item 15</b>				<b>76125 Tank Kit, 750 Gallon</b>			
4		1	Tank, 750 Gallon	8	D5184	1	Bulkhead Coupling
5	57058	1	Swing Check Valve, 1-1/2 NPT	9	D5190	1	Hose Barb, 2 NPT x 2
6	57061	1	Nipple, 1-1/2 Short	13	76128	1	Tank Lid, 16"
7	57059	1	Bulkhead, 1-1/2				
<b>Item 16</b>				<b>76130 Hose Barb &amp; Bulkhead Kit, Outlet</b>			
8	D5184	1	Bulkhead Coupling	9	D5190	1	Hose Barb, 2 NPT x 2
ns = not shown							

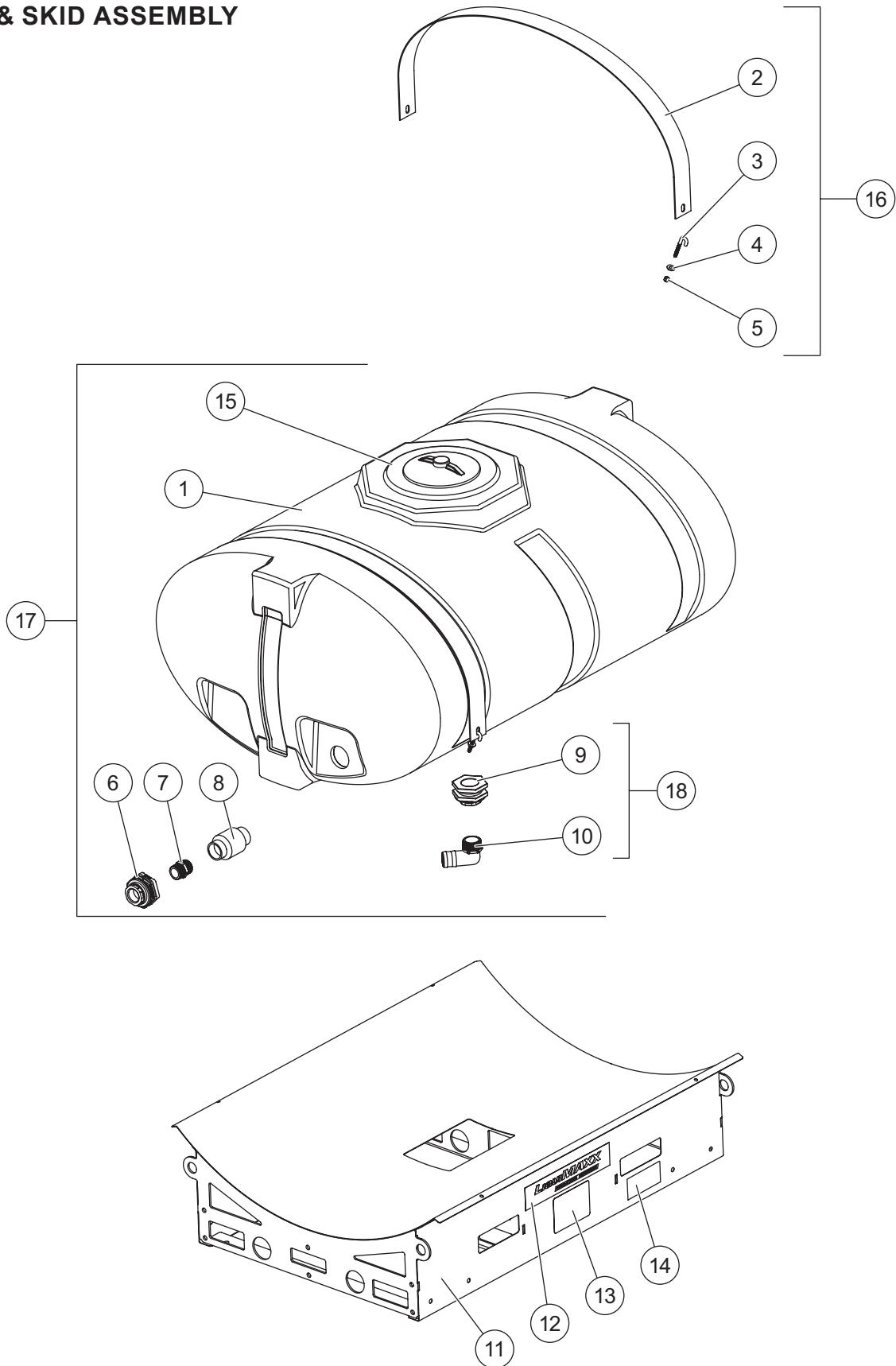
† Accessory only.

TSA-1250 Tank & Skid Assembly							
Item	Part	Qty	Description	Item	Part	Qty	Description
1		3	Tank Strap, 1250 Gallon	10	10818	2	Label – Warning GVWR Vehicle
2		6	1/2 x 6 J-Hook Anchor Bolt	11	10808	2	Label – Liqui Maxx Logo, Large
3		6	1/2-13 Hex Locknut	12	F51614	1	Tank Base, 1250 Gallon
4		1	Tank, 1250 Gallon	13	76128	1	Tank Lid, 16"
5	57058	1	Swing Check Valve, 1-1/2 NPT	14	76134	3	Tank Strap Kit, 1250 Gallon
6	57061	1	Nipple, 1-1/2 Short	15	76126	1	Tank Kit, 1250 Gallon
7	57059	1	Bulkhead, 1-1/2	16	76130	1	Hose Barb & Bulkhead Kit, Outlet
8	D5184	1	Bulkhead Coupling	ns	11033†	1	Strainer Basket, 16"
9	D5190	1	Hose Barb, 2 NPT x 2				
<b>Item 14</b>				<b>76134 Tank Strap Kit, 1250 Gallon</b>			
1		1	Tank Strap, 1250 Gallon	3		2	1/2-13 Hex Locknut
2		2	1/2 x 6 J-Hook Anchor Bolt				
<b>Item 15</b>				<b>76126 Tank Kit, 1250 Gallon</b>			
4		1	Tank, 1250 Gallon	8	D5184	1	Bulkhead Coupling
5	57058	1	Swing Check Valve, 1-1/2 NPT	9	D5190	1	Hose Barb, 2 NPT x 2
6	57061	1	Nipple, 1-1/2 Short	13	76128	1	Tank Lid, 16"
7	57059	1	Bulkhead, 1-1/2				
<b>Item 16</b>				<b>76130 Hose Barb &amp; Bulkhead Kit, Outlet</b>			
8	D5184	1	Bulkhead Coupling	9	D5190	1	Hose Barb, 2 NPT x 2
ns = not shown							

† Accessory only.

# TSA-300 / TSA-500 TANK PLATFORM

## TANK & SKID ASSEMBLY



## TSA-300 / TSA-500 TANK PLATFORM

TSA-300 Tank & Skid Assembly							
Item	Part	Qty	Description	Item	Part	Qty	Description
1		1	Tank, 300 Gallon	11	F51606	1	Tank Base, 300 Gallon
2		1	Tank Strap, 300 Gallon	12	10807	2	Label – Liqui Maxx™
3		6	3/8 x 3-3/4 J-Hook Anchor Bolt	13	10818	2	Label – Warning, GVWR Vehicle
4		6	3/8-16 Hex Locknut	14	11100	1	Label – Warning, Rear Camera
5		6	3/8 Flat Washer	15	76127	1	Tank Lid, 8"
6	57059	1	Bulkhead, 1-1/2"	16	76131	2	Tank Strap Kit, 300 Gallon
7	57061	1	Nipple, 1-1/2" Short	17	76123	1	Tank Kit, 300 Gallon
8	57058	1	Swing Check Valve, 1-1/2 NPT	18	76130	1	Hose Barb & Bulkhead Kit, Outlet
9	D5184	1	Bulkhead Coupling	ns	11032†	1	Strainer Basket, 8"
10	D5190	1	Hose Barb, 2 NPT x 2				
<b>Item 16</b>				<b>76131 Tank Strap Kit, 300 Gallon</b>			
2		1	Tank Strap, 300 Gallon	4		2	3/8-16 Hex Locknut
3		2	3/8 x 3-3/4 J-Hook Anchor Bolt	5		2	3/8 Flat Washer
<b>Item 17</b>				<b>76123 Tank Kit, 300 Gallon</b>			
1		1	Tank, 300 Gallon	9	D5184	1	Bulkhead Coupling
6	57059	1	Bulkhead, 1-1/2"	10	D5190	1	Hose Barb, 2 NPT x 2
7	57061	1	Nipple, 1-1/2" Short	14	76127	1	Tank Lid, 8"
8	57058	1	Swing Check Valve, 1-1/2 NPT				
<b>Item 18</b>				<b>76130 Hose Barb &amp; Bulkhead Kit, Outlet</b>			
9	D5184	1	Bulkhead Coupling	10	D5190	1	Hose Barb, 2 NPT x 2
ns = not shown							

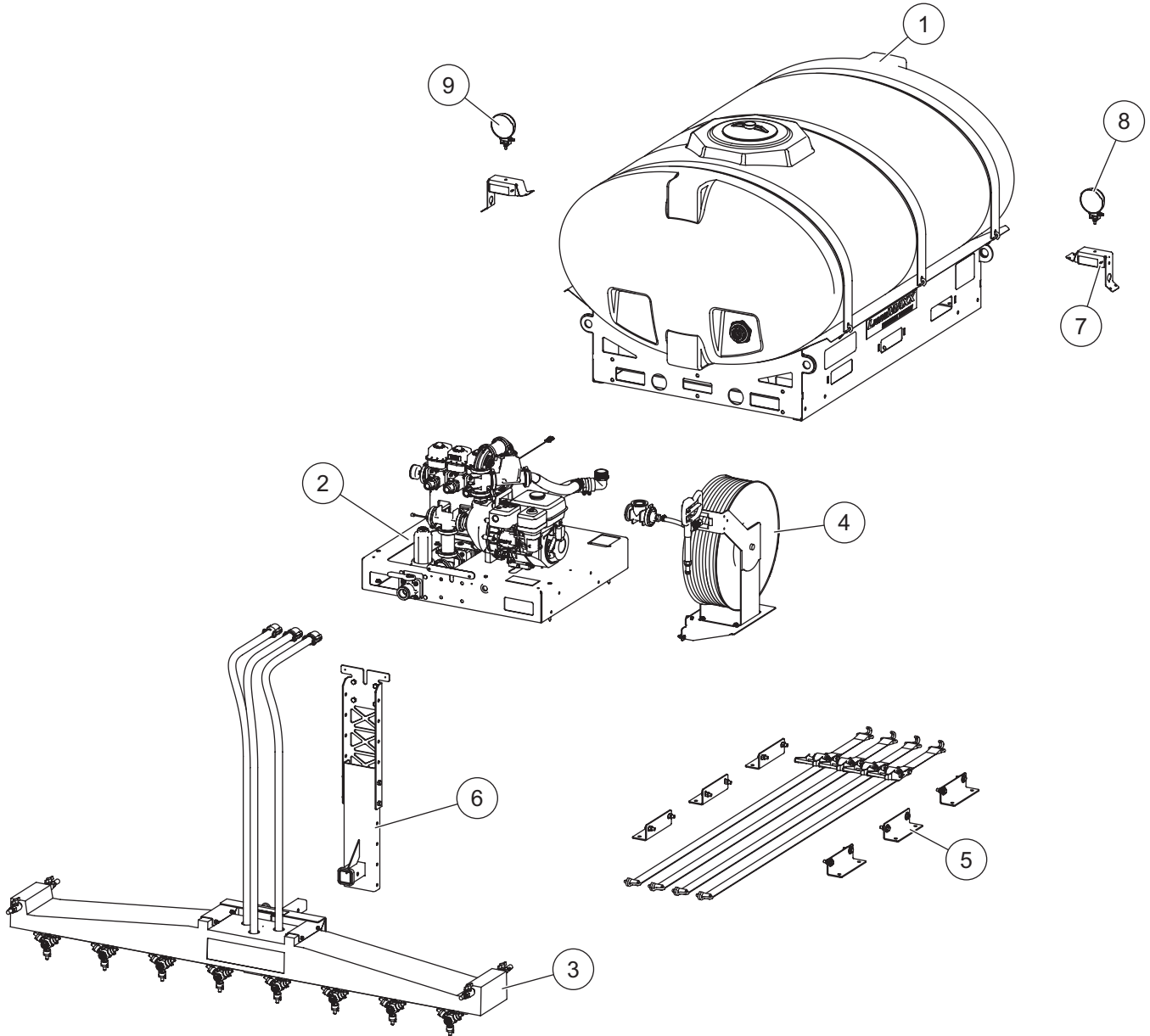
† = Accessory Only

TSA-500 Tank & Skid Assembly							
Item	Part	Qty	Description	Item	Part	Qty	Description
1		1	Tank, 500 Gallon	10	D5190	1	Hose Barb, 2 NPT x 2
2		3	Tank Strap, 500 Gallon	11	F51610	1	Tank Base, 500 Gallon
3		6	3/8 x 3-3/4 J-Hook Anchor Bolt	12	10808	2	Label – Liqui Maxx – Large
4		6	3/8-16 Hex Locknut	13	10818	2	Label – Warning, GVWR Vehicle
5		6	3/8 Flat Washer	15	76127	1	Tank Lid, 8"
6	57059	1	Bulkhead, 1-1/2"	16	76132	3	Tank Strap Kit, 500 Gallon
7	57061	1	Nipple, 1-1/2" Short	17	76124	1	Tank Kit, 500 Gallon
8	57058	1	Swing Check Valve, 1-1/2 NPT	18	76130	1	Hose Barb & Bulkhead Kit, Outlet
9	D5184	1	Bulkhead Coupling	ns	11032†	1	Strainer Basket, 8"
10	D5190	1	Hose Barb, 2 NPT x 2				
<b>Item 16</b>				<b>76132 Tank Strap Kit, 500 Gallon</b>			
2		1	Tank Strap, 500 Gallon	4		2	3/8-16 Hex Locknut
3		2	3/8 x 3-3/4 J-Hook Anchor Bolt	5		2	3/8 Flat Washer
<b>Item 17</b>				<b>76124 Tank Kit, 500 Gallon</b>			
1		1	Tank, 500 Gallon	9	D5184	1	Bulkhead Coupling
6	57059	1	Bulkhead, 1-1/2"	10	D5190	1	Hose Barb, 2 NPT x 2
7	57061	1	Nipple, 1-1/2" Short	14	76127	1	Tank Lid, 8"
8	57058	1	Swing Check Valve, 1-1/2 NPT				
<b>Item 18</b>				<b>76130 Hose Barb &amp; Bulkhead Kit, Outlet</b>			
9	D5184	1	Bulkhead Coupling	10	D5190	1	Hose Barb, 2 NPT x 2
ns = not shown							

† = Accessory Only

# LIQUID SPRAYER PRODUCTS & ACCESSORIES

## LIQUID SPRAYER COMPONENTS & ACCESSORIES



## LIQUID SPRAYER PRODUCTS & ACCESSORIES

---

Liquid Sprayer Components & Accessories					
Item	Part	Description	Item	Part	Description
1	TSA-300	300 Gallon Tank and Skid	4	HRK-200-1	Hose Reel Kit – Gas Engine
	TSA-500	500 Gallon Tank and Skid	5	UMK-200	Universal Mounting Kit
	TSA-750	750 Gallon Tank and Skid	6	BRM-175	Adjustable Boom Receiver Mount
	TSA-1250	1250 Gallon Tank and Skid	7	72158	Liqui Maxx Strobe Light Kit
2	HFD-200EX	Deluxe Pump Platform – Gas	8	72159	Primary Work Light Kit
	HFD-200HYD	Deluxe Pump Platform – Hydraulic	9	99732-1	Secondary Work Light Kit
	HFS-100-2	Standard Pump Platform – Gas	ns	10777	GPS Speed Sensor
3	PBA-300-1	Deluxe Liqui Maxx™ Spray Boom			
ns = not shown					



TrynEx International, LLC  
531 Ajax Drive  
Madison Heights, MI 48071-2429  
[www.snowexproducts.com](http://www.snowexproducts.com)

 A DIVISION OF DOUGLAS DYNAMICS, LLC

Copyright © 2022 Douglas Dynamics, LLC. All rights reserved. This material may not be reproduced or copied, in whole or in part, in any printed, mechanical, electronic, film, or other distribution and storage media, without the written consent of TrynEx International, LLC. Authorization to photocopy items for internal or personal use by TrynEx International outlets or spreader owner is granted.

TrynEx International reserves the right under its product improvement policy to change construction or design details and furnish equipment when so altered without reference to illustrations or specifications used. TrynEx International or the vehicle manufacturer may require or recommend optional equipment for sprayers. Do not exceed vehicle ratings with a sprayer. TrynEx International offers a limited warranty for all sprayers and accessories. See separately printed page for this important information. The following are registered (®) or unregistered (™) trademarks of Douglas Dynamics, LLC: Liqui Maxx™, SnowEx®.

**Printed in U.S.A.**