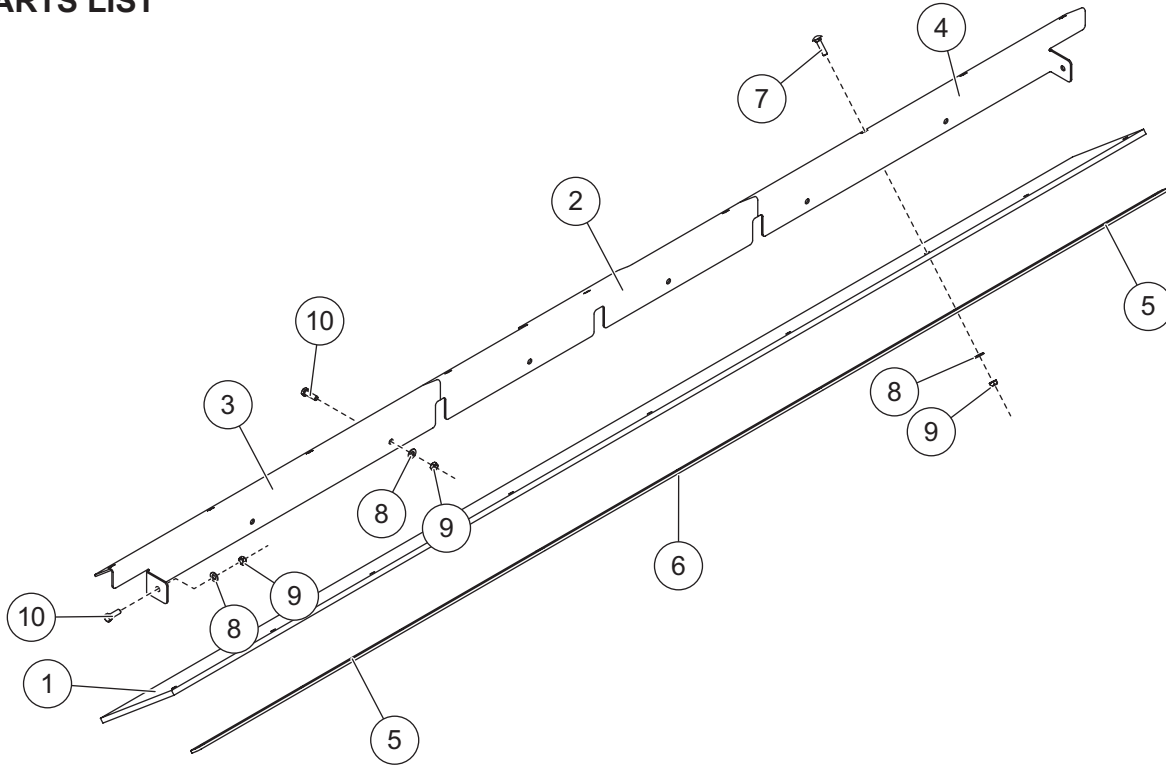


Rubber Deflector Kit

POWER PLOW™ & SPEEDWING™ Snowplows

PARTS LIST



| Rubber Deflector Kits | | | | | |
|-----------------------|-----|-------------------------------|----------------------------------|----------------------------------|-----------------|
| Item | Qty | Description | Part | | |
| | | | 84519 - 8100SS & 8100 Power Plow | 84520 - 8611SS & 8611 Power Plow | 84518 Speedwing |
| 1 | 1 | Rubber Deflector | 84538 | 84540 | 84538 |
| 2 | 1 | Mount Angle – Center | B61653 | B61656 | 42795 |
| 3 | 1 | Mount Angle – DS | B61652 | B61655 | 42794 |
| 4 | 1 | Mount Angle – PS | B61654 | B61657 | 42796 |
| 5 | 2 | Mount Strip – End | B61658 | B61660 | B61658 |
| 6 | 1 | Mount Strip – Center | B61659 | B61661 | B61659 |
| ns | 1 | Bolt Bag | B61379 | B61379 | B61379 |
| B61379 Bolt Bag | | | | | |
| 7 | 9 | 5/16-18 x 1-1/4 Carriage Bolt | | | |
| 8 | 17 | 5/16 Flat Washer | | | |
| 9 | 17 | 5/16-18 Hex Locknut GB | | | |
| 10 | 8 | 5/16-18 x 1 Hex Cap Screw G5 | | | |
| ns = not shown | | | G = Grade | | |

INSTALLATION INSTRUCTIONS

⚠ WARNING

Do not exceed GVWR or GAWR, including blade and ballast. The rating label is found on the driver-side vehicle door cornerpost.

⚠ CAUTION

Read this document before installing the rubber deflector kit.

⚠ CAUTION

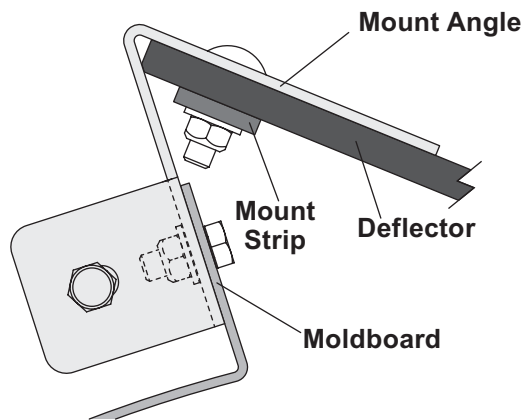
Use standard methods and practices when attaching snowplow and installing accessories, including proper personal protective safety equipment.

⚠ CAUTION

See your sales outlet for specific vehicle application recommendations before installation. Rubber deflector kit weight information may be found in the Undercarriage Selection Guide.

1. Park the vehicle on a smooth, level, hard surface, such as concrete. Lower the blade to the ground, and turn the control OFF. Disconnect the snowplow from the vehicle, or turn the vehicle ignition to the "OFF" position and remove the key.
2. Position the mount strips and mount angles together on either side of the rubber deflector. Attach the mount strips and mount angles to the deflector using the supplied 5/16" x 1-1/4" carriage bolts, washers and locknuts. Tighten the fasteners until the mount strips and mount angles are tight against the deflector.

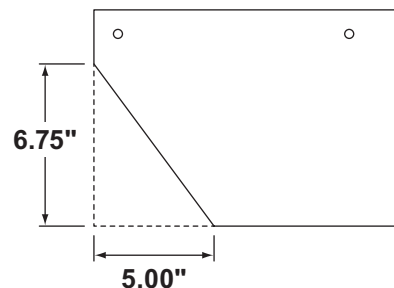
NOTE: Each mount angle should be aligned with and butted up against the end of the other mount angles.



3. Position the assembled deflector against the inside, top angle of the moldboard. The notches in the mount angles should align with the center support ribs on the blade. Both bent tabs should align at the inside of the support rib on each end. Clamp the mount angles into place on the blade.
4. Using the holes in the mount angles as guides, drill eight 3/8" holes in the moldboard and ribs.
5. Attach assembled deflector to the blade using the supplied 5/16" x 1" cap screws, washers and locknuts. Tighten fasteners to 18 ft-lb.
6. **POWER PLOW™ snowplows only:** Shorten both carriage bolts at each end of the blade to prevent them from contacting the wings during snowplow operation. Verify that the bolts will not contact the wings after shortening them.

SPEEDWING™ snowplows only:

Trim the outside corners of the deflector as shown to allow clearance for wing movement.



Copyright © 2015 Douglas Dynamics, LLC. All rights reserved. This material may not be reproduced or copied, in whole or in part, in any printed, mechanical, electronic, film or other distribution and storage media, without the written consent of TrynEx International, LLC. Authorization to photocopy items for internal or personal use by TrynEx International, LLC outlets or snowplow owner is granted.

TrynEx International, LLC reserves the right under its product improvement policy to change construction or design details and furnish equipment when so altered without reference to illustrations or specifications used. TrynEx International, LLC or the vehicle manufacturer may require or recommend optional equipment for snow removal. Do not exceed vehicle ratings with a snowplow. TrynEx International, LLC offers a limited warranty for all snowplows and accessories. See separately printed page for this important information. The following are registered (®) or unregistered (™) trademarks of Douglas Dynamics, LLC: Automatix™, SnowEx®.

Printed in U.S.A.