



# UTV Straight Blade

Blade Assembly 77760

Center Assembly 77860

Parts List





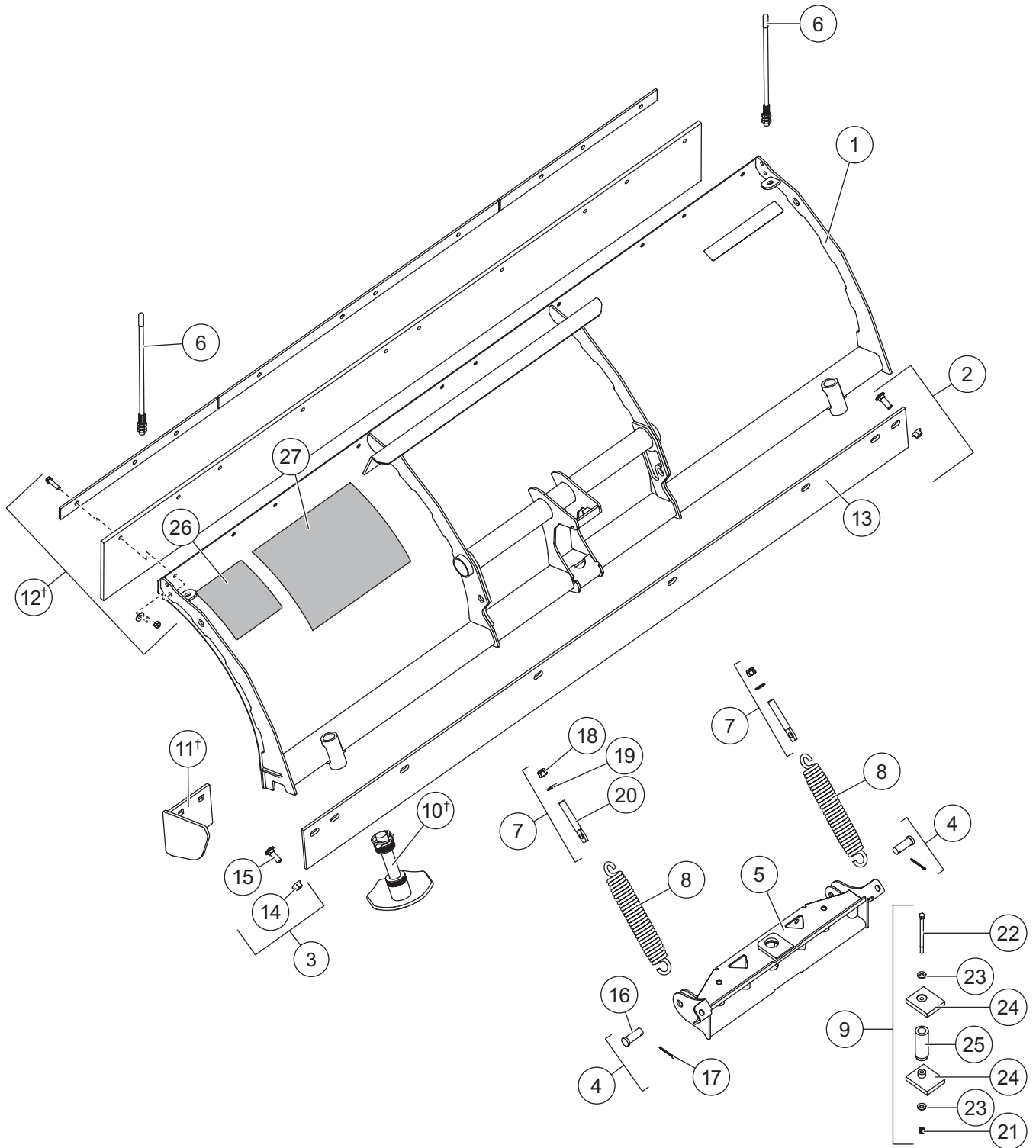
# TABLE OF CONTENTS

---

<b>UTV STRAIGHT BLADE ASSEMBLY .....</b>	<b>4</b>
<b>HEADGEAR AND A-FRAME ASSEMBLY .....</b>	<b>6</b>
<b>HYDRAULIC COMPONENTS .....</b>	<b>8</b>
Hydraulic Unit.....	8
Lift and Angle Rams .....	10
Hoses and Fittings .....	10
<b>VEHICLE-SIDE HARNESS DIAGRAM.....</b>	<b>11</b>

# UTV STRAIGHT BLADE ASSEMBLY

## Blade Components



† Accessory only.

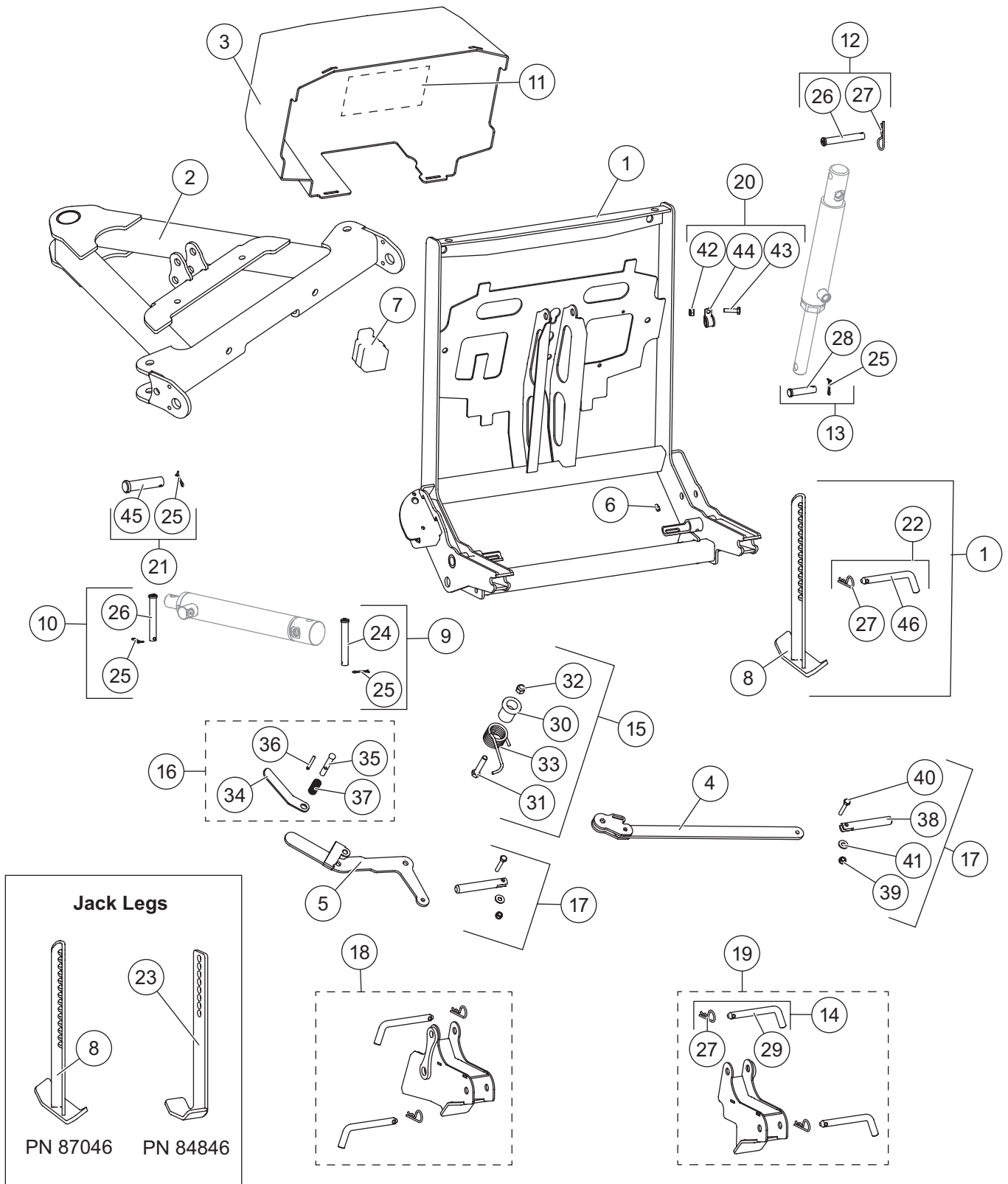
## UTV STRAIGHT BLADE ASSEMBLY

<b>77860 UTV Straight Blade Components</b>							
<b>Item</b>	<b>Part</b>	<b>Qty</b>	<b>Description</b>	<b>Item</b>	<b>Part</b>	<b>Qty</b>	<b>Description</b>
1	85189	1	UTV Blade w/Labels	8	B61167	2	Trip Spring
2	84971	1	1/4 Steel Cutting Edge Kit	9	84629	1	Center Pivot Bolt Kit
3	84977	1	Cutting Edge Bolt Bag	10 <sup>†</sup>	84988	1	Shoe Assembly Kit
4	84631	2	3/4 x 2 Clevis Pin Kit w/Cotter	11 <sup>†</sup>	84989	1	Curb Guard Kit
5	84573	1	Quadrant	12 <sup>†</sup>	84984	1	Rubber Deflector Kit
6	92075	1	Blade Guide Kit	ns	85192	1	Blade Label Kit
7	84702	2	Eyebolt Kit				
<b>Item 2</b>				<b>84971 1/4 Steel Cutting Edge Kit</b>			
3	84977	1	Cutting Edge Bolt Bag	13	84972	1	1/4" Steel Cutting Edge
<b>Item 3</b>				<b>84977 Cutting Edge Bolt Bag</b>			
14		8	1/2-13 Hex Locknut GB	15		8	1/2-13 x 1-1/2 Carriage Bolt G8
<b>Item 4</b>				<b>84631 3/4 x 2 Clevis Pin Kit w/Cotter</b>			
16		2	3/4 x 2 Clevis Pin	17		2	5/32 x 1-1/2 Cotter Pin
<b>Item 7</b>				<b>84702 Eyebolt Kit</b>			
18		1	5/8-11 Hex Locknut GB	20		1	5/8-11 x 4 Eyebolt
19		1	5/8 Hardened Flat Washer				
<b>Item 9</b>				<b>84629 Center Pivot Bolt Kit</b>			
21		1	5/16-18 Hex Locknut GB	24	27615	2	Bumper, Personal Plow
22		1	5/16-18 x 5 Hex Cap Screw G5	25		1	Pivot Tube
23		2	5/16 Flat Washer Type A				
				<b>85192 Blade Label Kit</b>			
26	84847	1	Label – Warning/Caution, UTV	ns	77714	1	Label – Logo, UTV
27	88335	1	Label – Attach/Detach, UTV				
ns = not shown				G = Grade			

<sup>†</sup> Accessory only.

# UTV STRAIGHT BLADE HEADGEAR AND A-FRAME ASSEMBLY

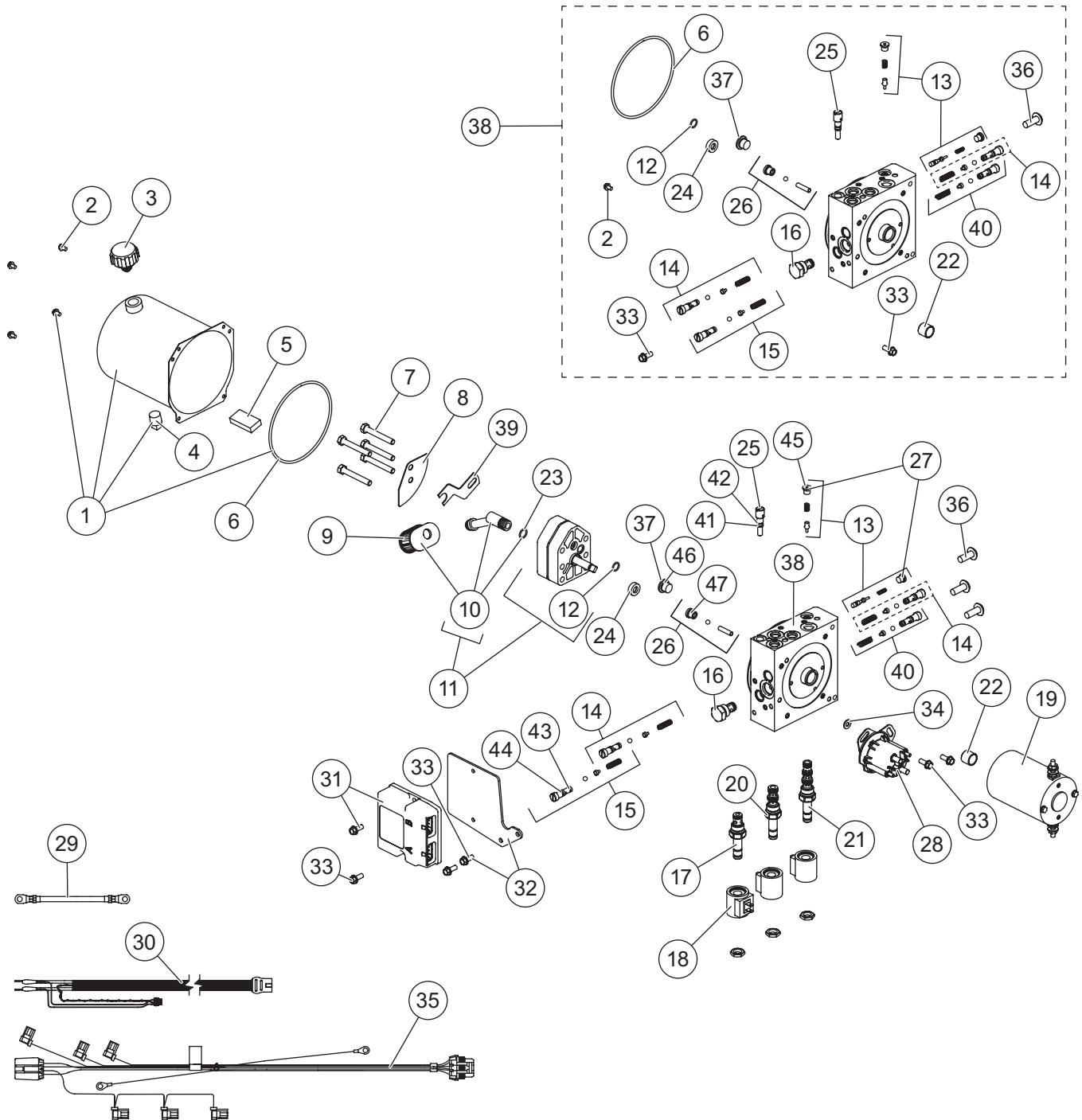
## Headgear and A-Frame Components





# UTV STRAIGHT BLADE HYDRAULIC COMPONENTS

## Hydraulic Unit Components



# UTV STRAIGHT BLADE HYDRAULIC COMPONENTS

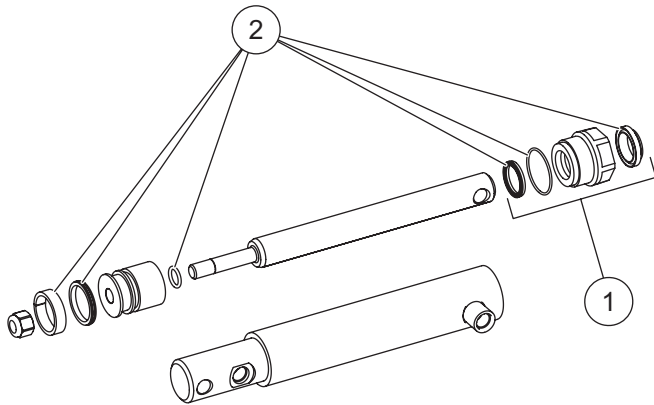
84949 Hydraulic Unit							
Item	Part	Qty	Description	Item	Part	Qty	Description
1	52289	1	Reservoir Kit	26	48518	1	Check Valve Assembly
2	66607	4	#10-24 x 5/16 Slotted Hex Washer-Head Machine Screw	27	92960	2	3/8-24 O-Ring Boss Plug
3	48278	1	Breather	28	52290	1	Motor Relay
4	92079	1	Plug 3/8 NPTF	29	29071	1	Cable Assembly, 8"
5	73897	1	Magnet	30	52291	1	Cable Assembly, Plow
6	66519	1	O-Ring 2 -250	31	49567	1	Plow Module
7	90073	5	5/16-18 x 2-1/4 Hex Cap Screw G5	32	84957	1	Module Plate w/Screws
8	48464	1	Plate Baffle	33	44355	6	1/4-20 x 5/8 Hex Washer-Head Thread-Rolling Screw
9	48281	1	Filter	34	91119	1	3/16 Flat Washer Type A Special
10	84955	1	Inlet Fitting w/Filter	35	84956	1	Harness, Plow Control 3-Solenoid
11	84954	1	Pump Kit	36	98043	3	3/8-16 x 1 Button Head Cap Screw
12	56274	1	O-Ring -013	37	56532	1	Plug, -6 SAE O-Ring Boss
13	84953	1	Poppet Check Valve Kit	38	84950	1	Manifold Assy w/o Valves (incl. items 2, 6, 12, 13, 14, 15, 16, 22, 24, 25, 26, 33, and 36)
14	52283	2	Relief Valve Kit (2 sets)	39	64570	1	Retainer Clip
15	52284	1	Relief Valve Kit	40	52282	1	Relief Valve (1 set)
16	48287	1	Check Valve	41	48239	1	O-Ring -106
17	49690	1	Valve 2-Way w/Nut	42	48240	1	Back-Up Ring -106
18	52294	3	Coil w/Spade Terminals	43	55371	4	O-Ring -008
19	52299	1	Motor Assembly 3"	44	25731	4	O-Ring -010
20	84951	1	Valve 3-Way w/Nut	45	26784	2	O-Ring -903
21	84952	1	Valve 4-Way w/Nut	46	56569	1	O-Ring -906
22	56364*	1	Bearing, Sleeve	47	44343	1	O-Ring -904
	52251	1	Bearing Tool Kit w/Bearing	ns	52252	1	Seal Repair Tool w/Seal
23	56416	1	O-Ring -014				
24	66515**	1	Pump Shaft Seal				
25	48517	1	Quill				
O-Ring Service Kits							
ns	52298-2	-	O-Ring Kit	ns	48309	-	Seal Kit Cartridge 3-Way and 4-Way Valve
ns	48310	-	Seal Kit 2-Way Valve				
ns = not shown				G = Grade			

\* Use 52251 tool to install (includes 56364)

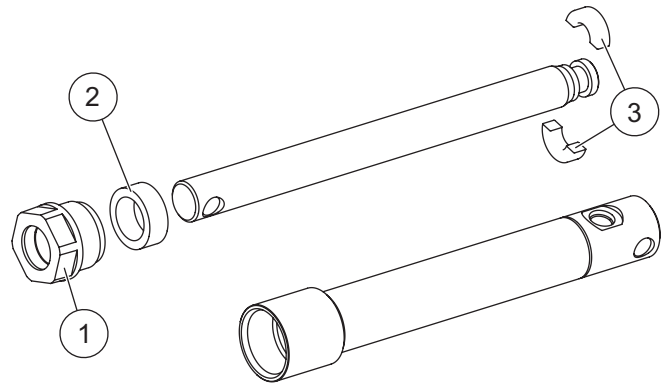
\*\* Use 52252 tool to install (includes 66515)

# UTV STRAIGHT BLADE HYDRAULIC COMPONENTS

## Lift and Angle Ram Components

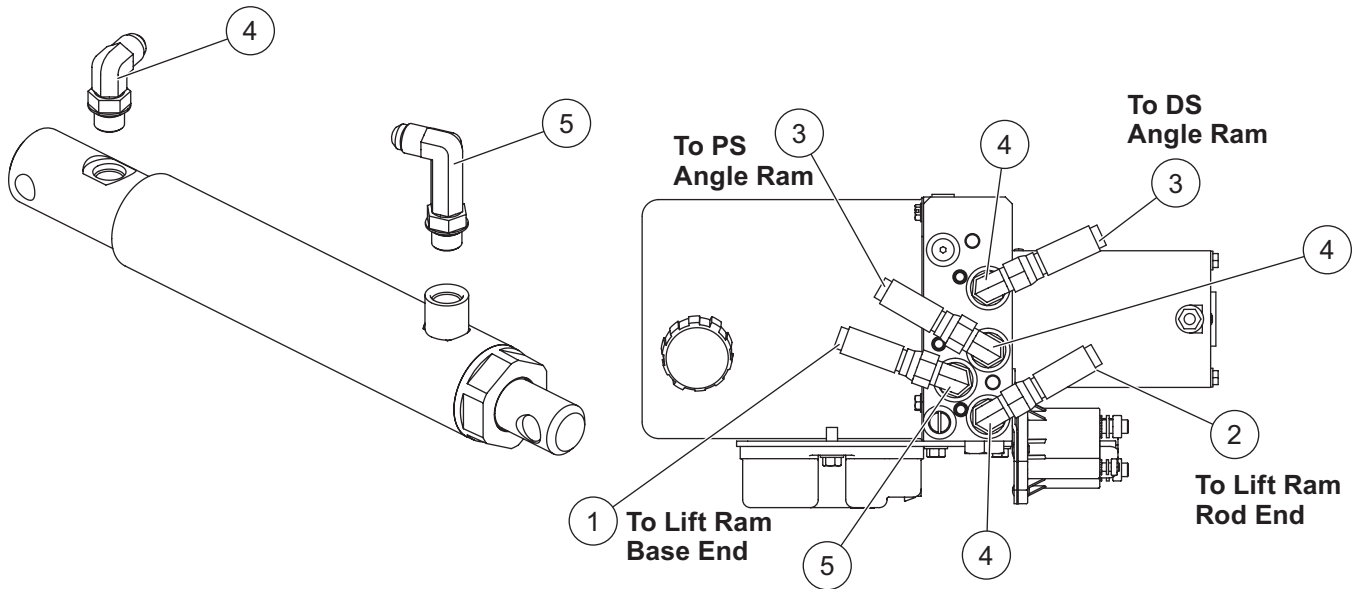


77486 Lift Ram Assembly 1-1/2 x 6 DA			
Item	Part	Qty	Description
1	52277	1	1" Gland Nut Assembly
2	52302	1	Seal Kit 1-1/2 DA Ram



77483 Angle Ram Assembly 1 x 7			
Item	Part	Qty	Description
1	52277	1	1" Gland Nut Assembly
2	56803	1	Spacer
3	52276	1	1" Split Bearing Kit

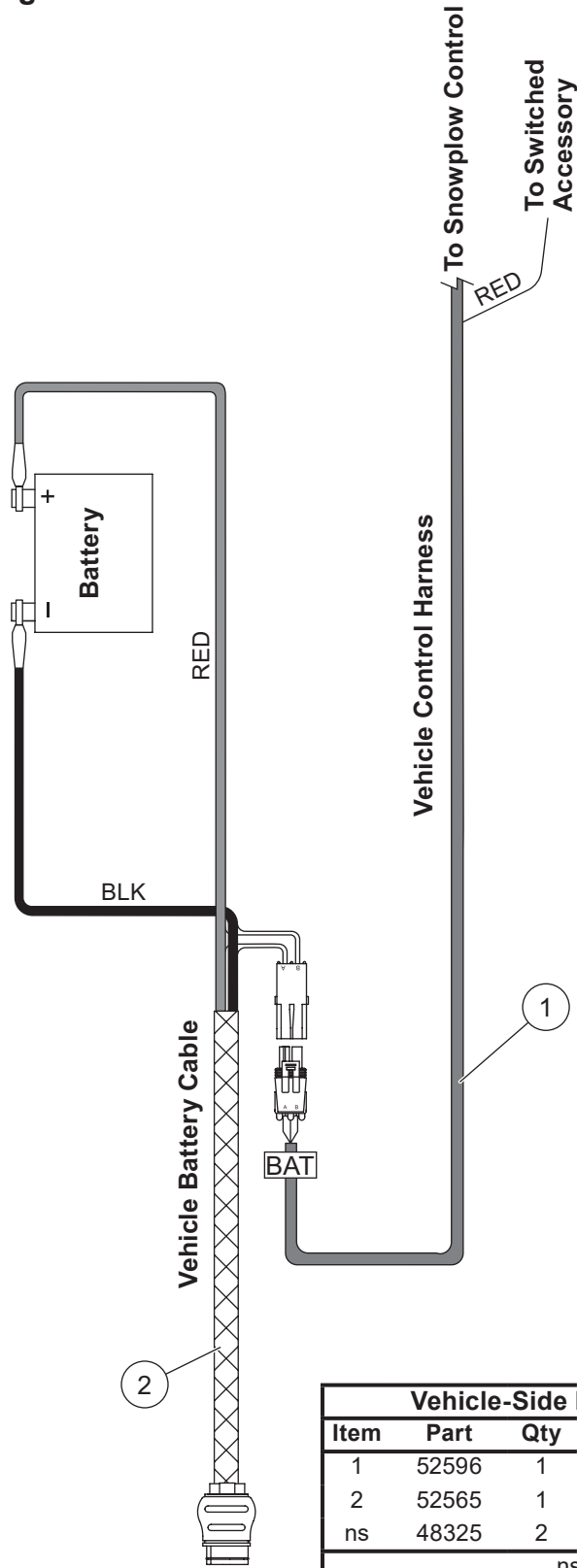
## Hoses and Fittings



Hoses and Fittings							
Item	Part	Qty	Description	Item	Part	Qty	Description
1	84446	1	Hose, 1/4 x 14 w/F JIC Ends	5	40572	2	Elbow, Extra Long 90° -6 M JIC/-6 M ORB
2	84453	1	Hose, 1/4 x 20 w/F JIC Ends	ns	56823	1	Hose Wrap
3	84810	2	Hose, 1/4 x 32 w/F JIC Ends				
4	56615-1	6	Elbow, 90° -6 M JIC/-6 M ORB				
			F = Female			ns = not shown	M = Male

# UTV STRAIGHT BLADE VEHICLE-SIDE HARNESS DIAGRAM

## Vehicle-Side Harness Diagram



Vehicle-Side Electrical Components			
Item	Part	Qty	Description
1	52596	1	Vehicle Control Harness
2	52565	1	Vehicle Battery Cable
ns	48325	2	Plug Cover
ns = not shown			



TrynEx International, LLC  
531 Ajax Drive  
Madison Heights, MI 48071-2429  
[www.snowexproducts.com](http://www.snowexproducts.com)

 A DIVISION OF DOUGLAS DYNAMICS, LLC

Copyright © 2026 Douglas Dynamics, LLC. All rights reserved. This material may not be used, reproduced, or copied in any manner, in whole or in part, in any printed, mechanical, electronic, film, or other distribution and storage media, nor analyzed or manipulated in any manner for the purpose of training artificial intelligence technologies or systems, without the written consent of TrynEx International LLC. In accordance with Article 4(3) of the Digital Single Market Directive 2019/790, TrynEx International expressly reserves this work from the text and data mining exception. Authorization to photocopy items for internal or personal use by TrynEx International outlets or equipment owner is granted.

TrynEx International reserves the right under its product improvement policy to change construction or design details and furnish equipment when so altered without reference to illustrations or specifications used. TrynEx International or the vehicle manufacturer may require or recommend optional equipment for snow removal. Do not exceed vehicle ratings with a snowplow. TrynEx International offers a limited warranty for all equipment and accessories. See separately printed page for this important information. The following are registered (®) or unregistered (™) trademarks of Douglas Dynamics, LLC: SnowEx®.

**Printed in U.S.A.**