



IMPACT™ UTV Straight Blade

Blade Assembly 84930
Center Assembly 77860

Parts List

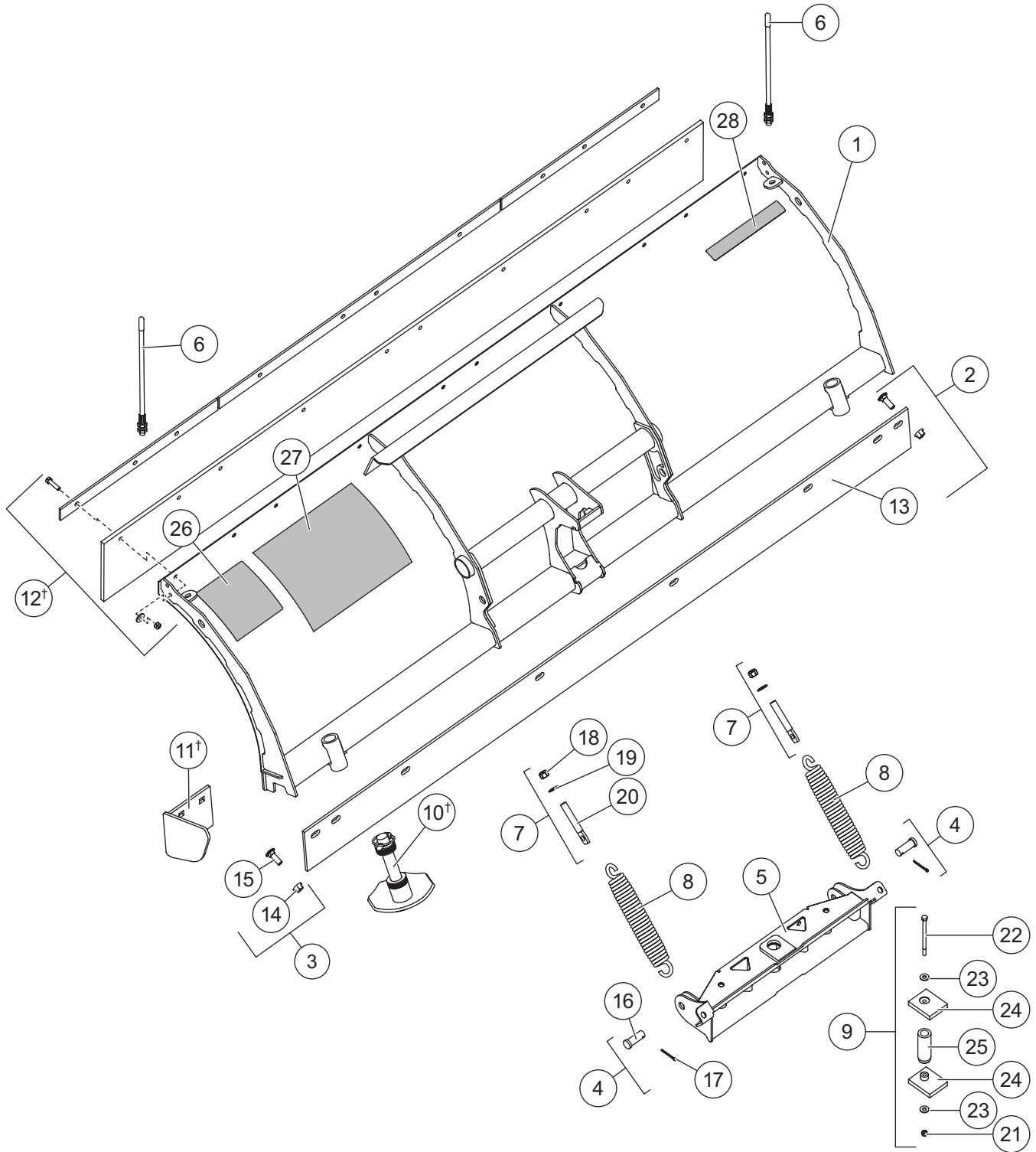


TABLE OF CONTENTS

IMPACT™ UTV STRAIGHT BLADE ASSEMBLY	4
HEADGEAR AND A-FRAME ASSEMBLY	6
HYDRAULIC COMPONENTS.....	8
Hydraulic Unit.....	8
Lift and Angle Rams	10
Hoses and Fittings.....	10
VEHICLE-SIDE HARNESS DIAGRAM.....	11

IMPACT™ UTV STRAIGHT BLADE 84930

Blade Components and Accessories



† Accessory only.

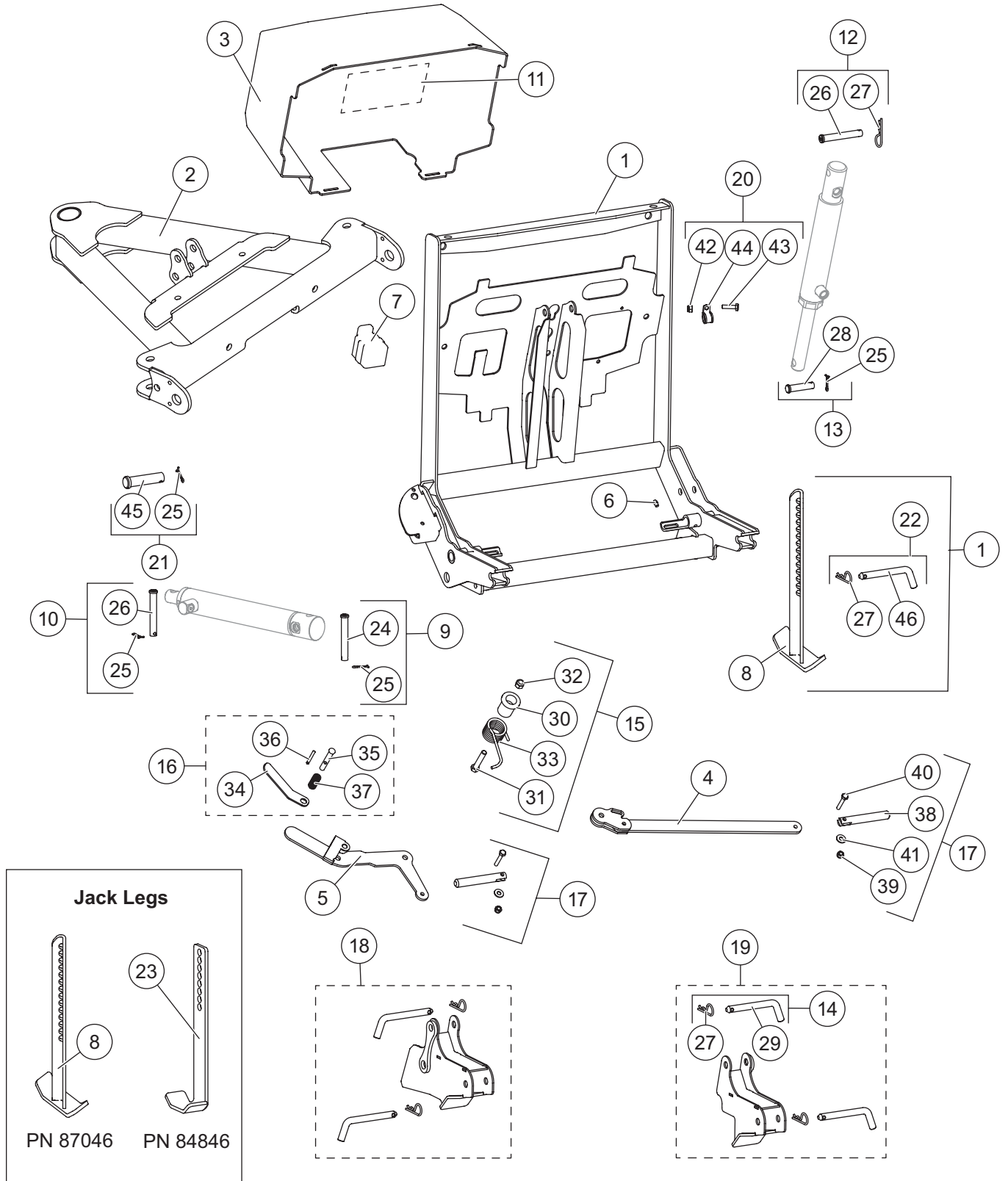
IMPACT™ UTV STRAIGHT BLADE 84930

84930 IMPACT UTV Straight Blade Components							
Item	Part	Qty	Description	Item	Part	Qty	Description
1	85188	1	UTV Straight Blade with Labels	8	B61167	2	Trip Spring
2	84973	1	1/4 Steel Cutting Edge Kit	9	84629	1	Center Pivot Bolt Kit
3	84977	1	Cutting Edge Bolt Bag	10†	84988	1	Shoe Assembly Kit
4	84631	2	3/4 x 2 Clevis Pin Kit with Cotter	11†	84989	1	Curb Guard Kit
5	84573	1	Quadrant	12†	84986	1	Rubber Deflector Kit
6	92075	1	Blade Guide Kit	ns	85191	1	Blade Label Kit
7	84702	2	Eyebolt Kit				
Item 2				84973 1/4 Steel Cutting Edge Kit			
3	84977	1	Cutting Edge Bolt Bag	13	84974	1	1/4 Steel Cutting Edge
Item 3				84977 Cutting Edge Bolt Bag			
14	8	8	1/2-13 Hex Locknut GB	15	8	8	1/2-13 x 1-1/2 Carriage Bolt G8
Item 4				84631 3/4 x 2 Clevis Pin Kit with Cotter			
16	2	2	3/4 x 2 Clevis Pin	17	2	2	5/32 x 1-1/2 Cotter Pin
Item 7				84702 Eyebolt Kit			
18	1	1	5/8-11 Hex Locknut GB	20	1	1	5/8-11 x 4 Eyebolt
19	1	1	5/8 Hardened Flat Washer				
Item 9				84629 Center Pivot Bolt Kit			
21	1	1	5/16-18 Hex Locknut GB	24	27615	2	Bumper, Personal Plow
22	1	1	5/16-18 x 5 Hex Cap Screw G5	25	1	1	Pivot Tube
23	2	2	5/16 Flat Washer Type A				
ns				85191 Blade Label Kit			
26	84847	1	Label – Warning/Caution, UTV	ns	69489	1	Label – Logo, WESTERN®
27	88335	1	Label – Warning Attach/Detach	ns	84771	1	Label – Logo, IMPACT™
28	28404	1	Label – Logo, ULTRAFINISH™				
ns = not shown				G = Grade			

† Accessory only.

IMPACT™ UTV STRAIGHT BLADE HEADGEAR AND A-FRAME ASSEMBLY

Headgear and A-Frame Components

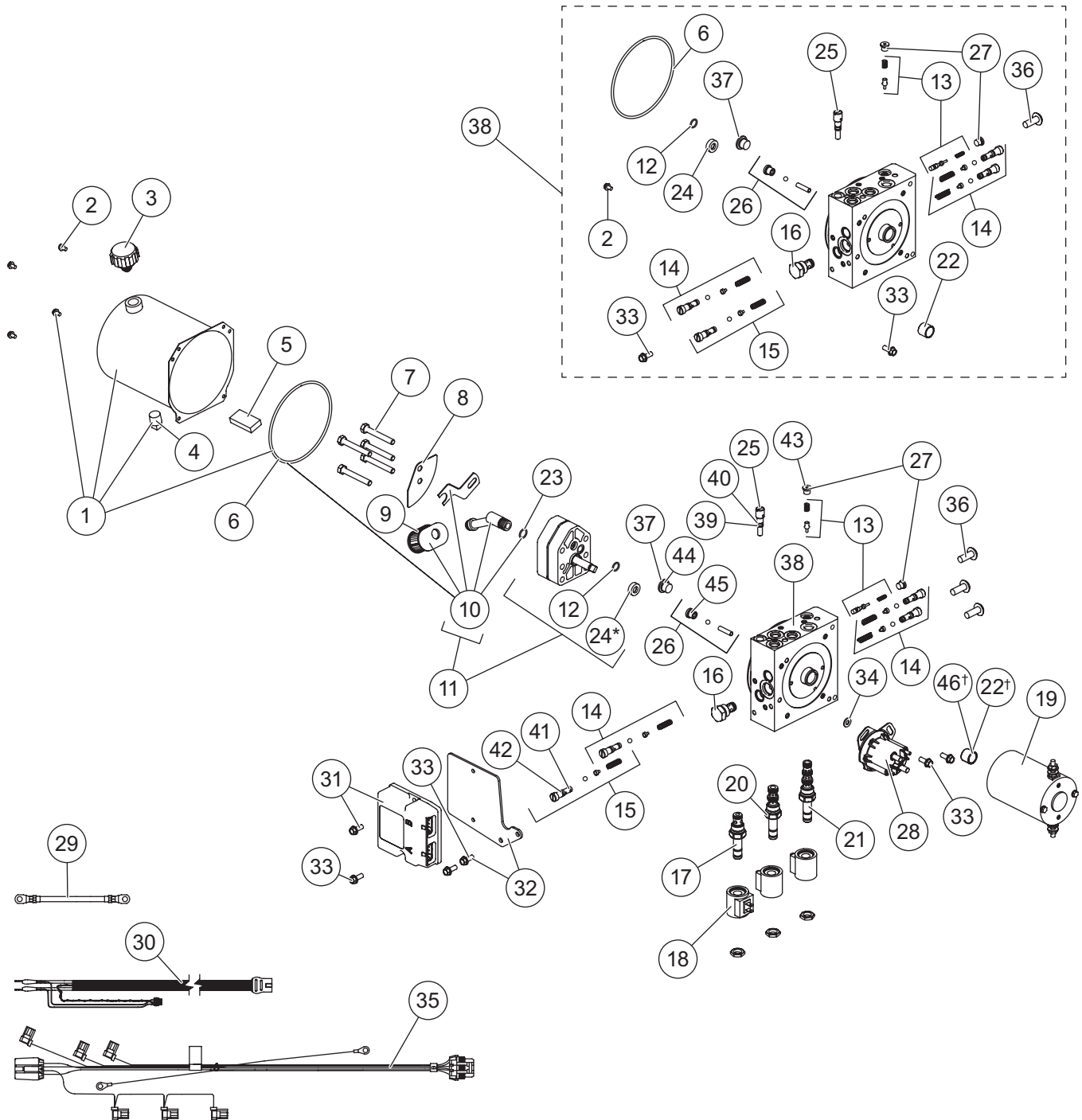


IMPACT™ UTV STRAIGHT BLADE HEADGEAR AND A-FRAME ASSEMBLY

TRAILBLAZER™ Headgear and T-Frame Components							
Item	Part	Qty	Description	Item	Part	Qty	Description
1	86659	1	Headgear	13	84627	1	Lift Ram Rod Pin Kit
2	83628	1	T-Frame	14	84610	4	Receiver Pin Kit
3	84843	1	Hydraulic Cover (incl. item 11)	15	83636	1	Torsion Spring/Spacer Kit
4	83635	1	Link	16	83633	1	Attach Handle Release Cam Kit
5	83634	1	Handle	17	84602	2	Hitch Pin Kit
6	84616	1	Grease Zerk (pkg of 3)	18	83637	1	Receiver Kit, DS
7	61246	1	Cable Boot	19	83638	1	Receiver Kit, PS
8	87046	1	Jack Leg	20	84778	1	Power Cable Clamp Loop Kit
9	83629	2	Angle Ram Base Pin Kit	21	83630	2	T-Frame Pin Kit
10	85198	2	Angle Ram Rod Pin Kit	22	83825	1	Stand Pin Kit
11	43862	1	Label – Information, Hydraulic	23	84846	1	Stand
12	85199	1	Lift Ram Base Pin Kit				
Item 1				86659 Headgear Kit			
8		1	Stand	27		1	1/8 Hair Pin Cotter
22		1	Stand Pin Kit	46		1	3/8 x 2-3/8 Clevis Pin
Item 9				83629 Angle Ram Base Pin Kit			
24		1	1/2 x 3-11/16 Clevis Pin HT	25		1	5/32 x 1-1/2 Cotter Pin
Item 10				85198 Angle Ram Rod Pin Kit			
25		1	5/32 x 1-1/2 Cotter Pin	26		1	1/2 x 2-7/8 Clevis Pin HT
Item 12				85199 Lift Ram Base Pin Kit			
26		1	1/2 x 2-7/8 Clevis Pin HT	27		1	1/8 Hairpin Cotter
Item 13				84627 Lift Ram Rod Pin Kit			
25		1	5/32 x 1-1/2 Cotter Pin	28		1	1/2 x 2-1/8 Clevis Pin HT
Item 14				84610 Receiver Pin Kit			
27		1	1/8 Hairpin Cotter	29		1	1/2 x 4 Clevis Pin
Item 15				83636 Torsion Spring/Spacer Kit			
30		1	Spacer, Handle Spring	32		1	3/8-16 Hex Locknut GB
31		1	3/8-16 x 2-1/4 Hex Cap Screw G5	33		1	Torsion Spring
Item 16				83633 Attach Handle Release Cam Kit			
34		1	Handle Lock Pin Lever	36		1	3/16 x 1-3/8 Spring Pin SS
35		1	Lock Pin	37		1	Stand Lock Pin Spring
Item 17				84602 Hitch Pin Kit			
38		1	Hitch Pin	40		1	1/4-20 x 1-1/2 Hex Cap Screw SS
39		1	1/4-20 Hex Locknut GB	41		1	1/4 Flat Washer Type A Wide
Item 18				83637 Receiver Kit, DS			
		1	Receiver, DS	14		2	Receiver Pin Kit
Item 19				83638 Receiver Kit, PS			
		1	Receiver, PS	14		2	Receiver Pin Kit
Item 20				84778 Power Cable Clamp Loop Kit			
42		1	1/4-20 Hex Locknut GB	44		1	#10 Clamp Loop
43		1	1/4-20 x 1 Hex Cap Screw G5				
Item 21				83630 T-Frame Pin Kit			
25		1	5/32 x 1-1/2 Cotter Pin	45		1	3/4 x 3 Clevis Pin
Item 22				83825 Stand Pin Kit			
27		1	1/8 Hairpin Cotter	46		1	3/8 x 2-3/8 Clevis Pin
			G = Grade				HT = Heat Treated
							SS = Stainless Steel

IMPACT™ UTV STRAIGHT BLADE HYDRAULIC COMPONENTS

Hydraulic Unit Components



IMPACT™ UTV STRAIGHT BLADE HYDRAULIC COMPONENTS

84949 Hydraulic Unit							
Item	Part	Qty	Description	Item	Part	Qty	Description
1	48538	1	Reservoir Kit	25	48517	1	Quill
2	66607	4	#10-24 x 5/16 Hex Washer-Head Slotted Machine Screw	26	48518	1	Check Valve Assembly
3	21727-2K	1	Breather 3/8 NPT Kit	27	92960	2	3/8-24 O-Ring Boss Plug
4	92079	1	Plug 3/8 NPTF	28	52290	1	Motor Relay
5	73897	1	Magnet	29	29071	1	Cable Assembly, 8"
6	66519	1	O-Ring 2 -250	30	42015	1	Cable Assembly, Plow
7	90073	5	5/16-18 x 2-1/4 Hex Cap Screw G5	31	49567	1	Plow Module
8	48464	1	Plate Baffle	32	84957	1	Module Plate w/Screws
9	56789-5	1	Suction Filter	33	44355	6	1/4-20 x 5/8 Hex Washer-Head Thread-Rolling Screw
10	66763-1	1	Inlet Fitting/Filter Kit	34	91119	1	3/16 Flat Washer Type A Special
11	27746	1	Hydraulic Pump Kit – IA	35	28581-1	1	Harness Plow Control 3-Solenoid
12	56274	1	O-Ring -013	36	98043	3	3/8-16 x 1 Button Head Cap Screw
13	49226K	1	Poppet Check Valve Kit	37	56532	1	Plug, -6 SAE O-Ring Boss
14	49138K-5	2	Relief Valve Kit (2 sets)	38	84950	1	Manifold Assy w/o Valves (incl. items 2, 6, 12–16, 22, 24–27, 33, and 36)
15	27792-1	1	Relief Valve Repair Kit	39	48239	1	O-Ring -106
16	44334-1	1	Check Valve CV08-20	40	48240	1	Back-up Ring -106
17	49227K-2	1	Valve 2-Way w/Nut	41	55371	4	O-Ring -008
18	49230K-2	3	Coil w/Spade Terminals	42	25731	4	O-Ring -010
19	48543-1	1	Motor Assembly 3"	43	26784	2	O-Ring -903
20	66608-1	1	Cartridge Valve 3-Way w/Nut	44	56569	1	O-Ring -906
21	49229K-1	1	Cartridge Valve 4-Way w/Nut	45	44343	1	O-Ring -904
22†	56364*	1	Bearing, Sleeve	46†	64596-1	1	Sleeve Bearing and Shaft Seal Kit
23	56416	1	O-Ring -014				
24	66515**	1	Pump Shaft Seal				
O-Ring Service Kits							
ns	56657-6	–	O-Ring & Back-Up Ring Kit	ns	49259-2	–	Seal Kit Cartridge 3-Way and 4-Way Valve
ns	49258-2	–	Seal Kit 2-Way Valve				
ns = not shown				G = Grade			

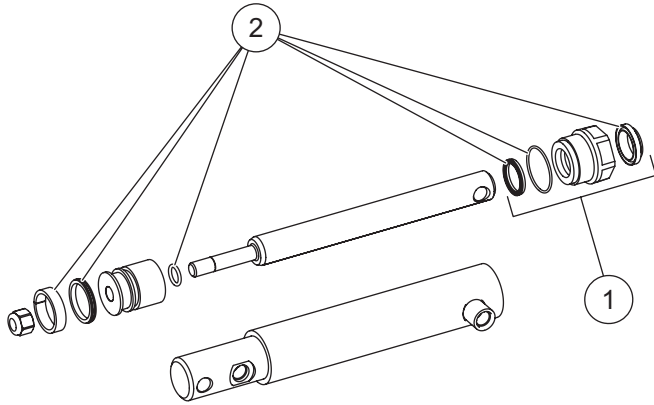
† Use 64589 tool for bearing sleeve replacement (includes 1 bearing).

* Use 64589 tool to install (includes 56364).

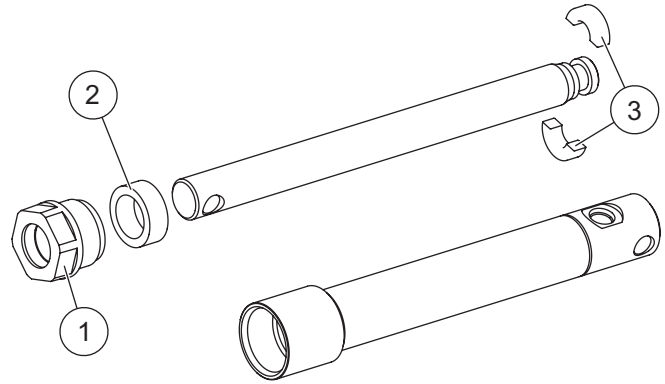
** Use 28856 tool to install (includes 66515).

IMPACT™ UTV STRAIGHT BLADE HYDRAULIC COMPONENTS

Lift and Angle Ram Components

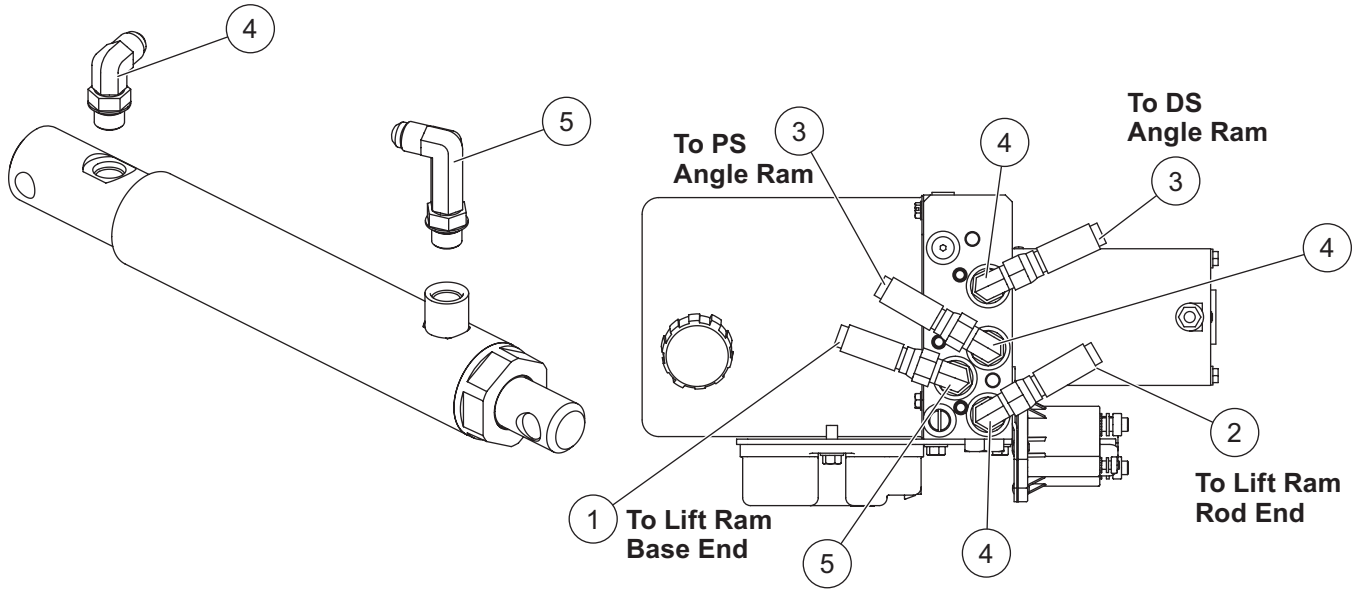


77484 Lift Ram Assembly 1-1/2 x 6 DA			
Item	Part	Qty	Description
1	52277	1	1" Gland Nut Assembly
2	27788-1	1	Seal Kit 1-1/2 DA Ram



56772K Angle Ram Assembly 1 x 7			
Item	Part	Qty	Description
1	52277	1	1" Gland Nut Assembly
2	56803	1	Spacer
3	52276	1	1" Split Bearing Kit

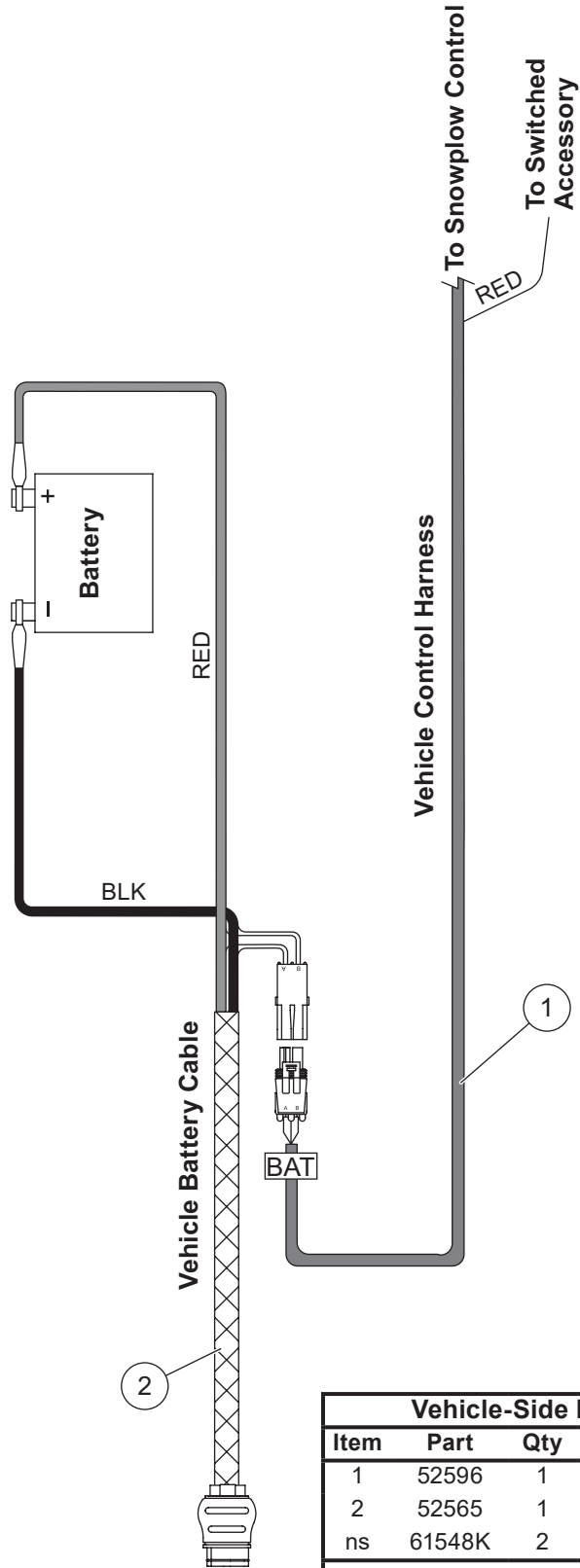
Hoses and Fittings



Hoses and Fittings							
Item	Part	Qty	Description	Item	Part	Qty	Description
1	84446	1	Hose, 1/4 x 14 w/F JIC Ends	5	64212-1	2	Elbow, Extra Long 90° -6 M JIC/-6 M ORB
2	84453	1	Hose, 1/4 x 20 w/F JIC Ends	ns	56823	1	Hose Wrap
3	48519	2	Hose, 1/4 x 32 w/F JIC Ends				
4	56615-1	6	Elbow, 90° -6 M JIC/-6 M ORB				
			F = Female			ns = not shown	
						M = Male	

IMPACT™ UTV STRAIGHT BLADE VEHICLE-SIDE HARNESS DIAGRAM

Vehicle-Side Harness Diagram



Vehicle-Side Electrical Components			
Item	Part	Qty	Description
1	52596	1	Vehicle Control Harness
2	52565	1	Vehicle Battery Cable
ns	61548K	2	Plug Cover
ns = not shown			



Western Products
PO Box 245038
Milwaukee, WI 53224-9538
www.westernplows.com

 A DIVISION OF DOUGLAS DYNAMICS, LLC

Copyright © 2026 Douglas Dynamics, LLC. All rights reserved. This material may not be used, reproduced, or copied in any manner, in whole or in part, in any printed, mechanical, electronic, film, or other distribution and storage media, nor analyzed or manipulated in any manner for the purpose of training artificial intelligence technologies or systems, without the written consent of Western Products. In accordance with Article 4(3) of the Digital Single Market Directive 2019/790, Western Products expressly reserves this work from the text and data mining exception. Authorization to photocopy items for internal or personal use by Western Products outlets or equipment owner is granted.

Western Products reserves the right under its product improvement policy to change construction or design details and furnish equipment when so altered without reference to illustrations or specifications used. Western Products or the vehicle manufacturer may require or recommend optional equipment for snow removal. Do not exceed vehicle ratings with a snowplow. Western Products offers a limited warranty for all equipment and accessories. See separately printed page for this important information. The following are registered (®) or unregistered (™) trademarks of Douglas Dynamics, LLC: IMPACT™, ULTRAFINISH™, WESTERN®.

Printed in U.S.A.