



Walk-Behind Broadcast Spreaders

SP-85 & SP-85SS

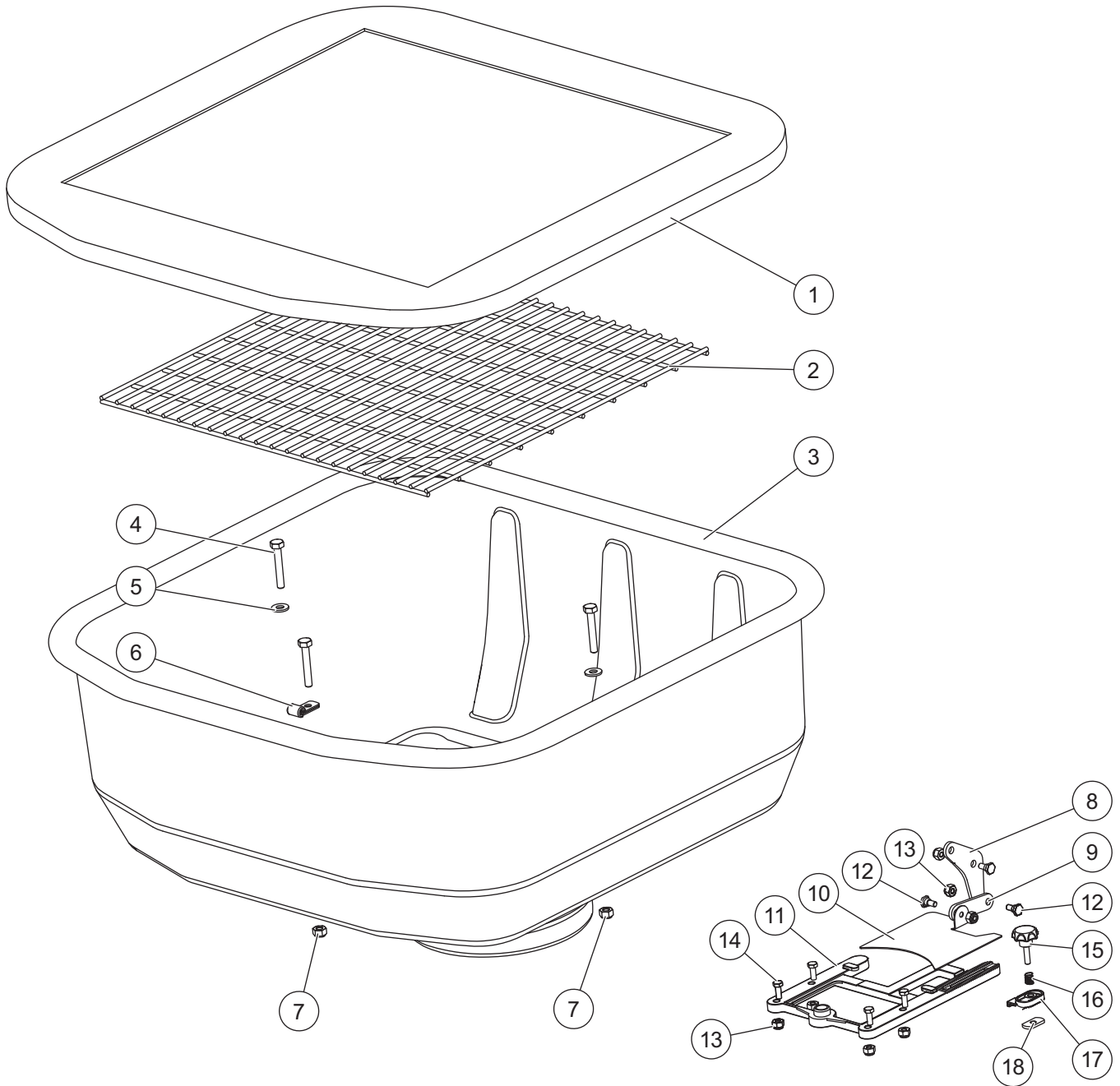
Parts List



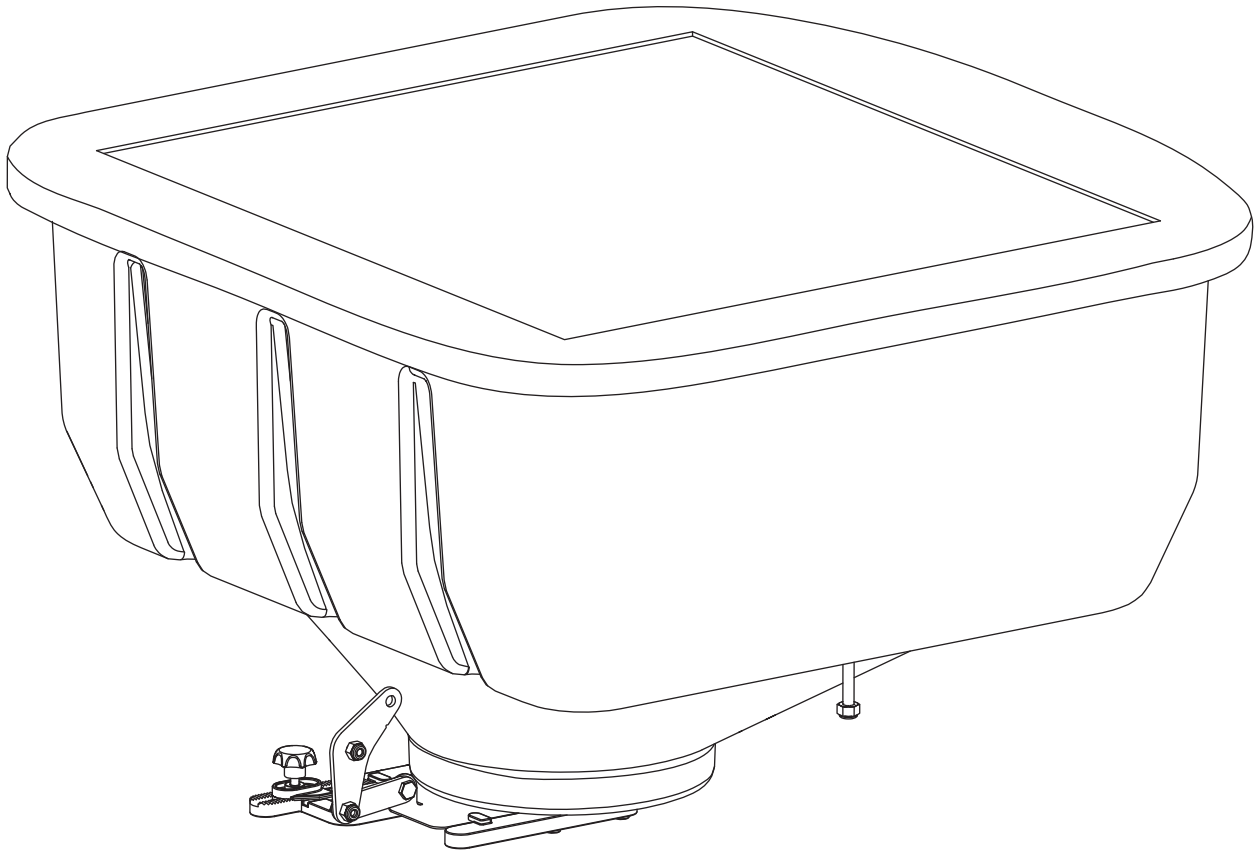
This document is for SnowEx® SP-85 walk-behind broadcast spreaders beginning with serial numbers PD-102588 and higher, and SP-85SS walk-behind broadcast spreaders beginning with serial numbers PE-100800 and higher.

SP-85 & SP-85SS WALK-BEHIND BROADCAST SPREADERS

HOPPER COMPONENTS: MODELS SP-85 & SP-85SS



SP-85 & SP-85SS WALK-BEHIND BROADCAST SPREADERS



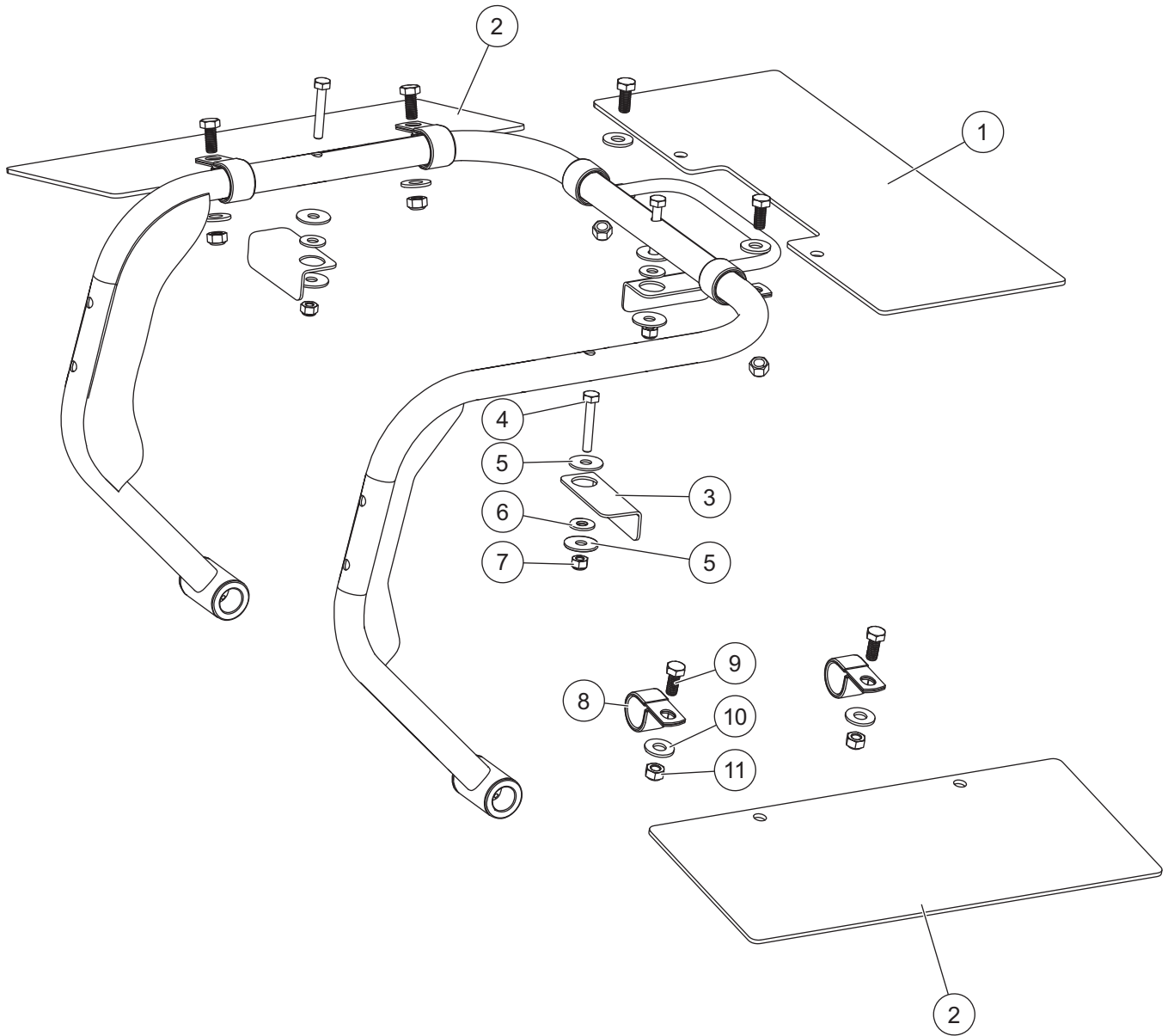
SP-85 & SP-85SS Hopper Components

Item	Part	Qty	Description	Item	Part	Qty	Description
1	D6041	1	Weather Cover	10	50914	1	Gate Slide
2	D5903	1	Screen	11	50913	1	Gate Track
3	D5900	1	Hopper	12	50945	3	Pivot Bolt SS
4	D5953	3	1/4-20 x 1-5/8 Hex Cap Screw SS	13	50958	7	#10-32 Waxed Locknut SS
5	50969	2	1/4 Flat Washer SS	14	50908	4	#10-32 x 1/2 Hex Cap Screw SS
6	D5920	1	1/8 Rubber Coated Clamp	15	50943	1	#10-32 x 3/4 Knob
7	50970	3	1/4-20 Locknut Waxed SS	16	50944	1	.279 x .030 x .355 Spring SS
8	D5933	1	Gate Cam	17	50938	1	Gate Adjustment Stop
9	50942	1	Gate Link	18	50939	1	#10-32 Weld Nut, Flat

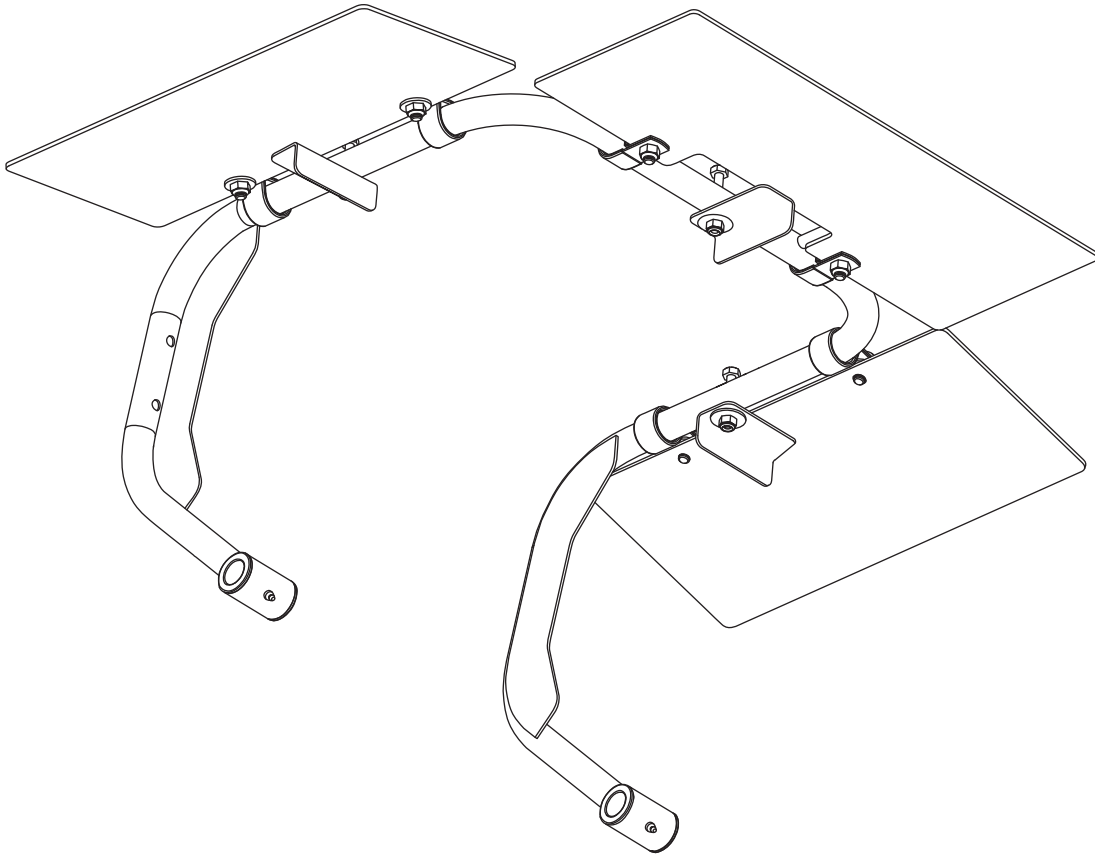
SS = Stainless Steel

SP-85 & SP-85SS WALK-BEHIND BROADCAST SPREADERS

DEFLECTOR ASSEMBLY COMPONENTS: MODELS SP-85 & SP-85SS



SP-85 & SP-85SS WALK-BEHIND BROADCAST SPREADERS



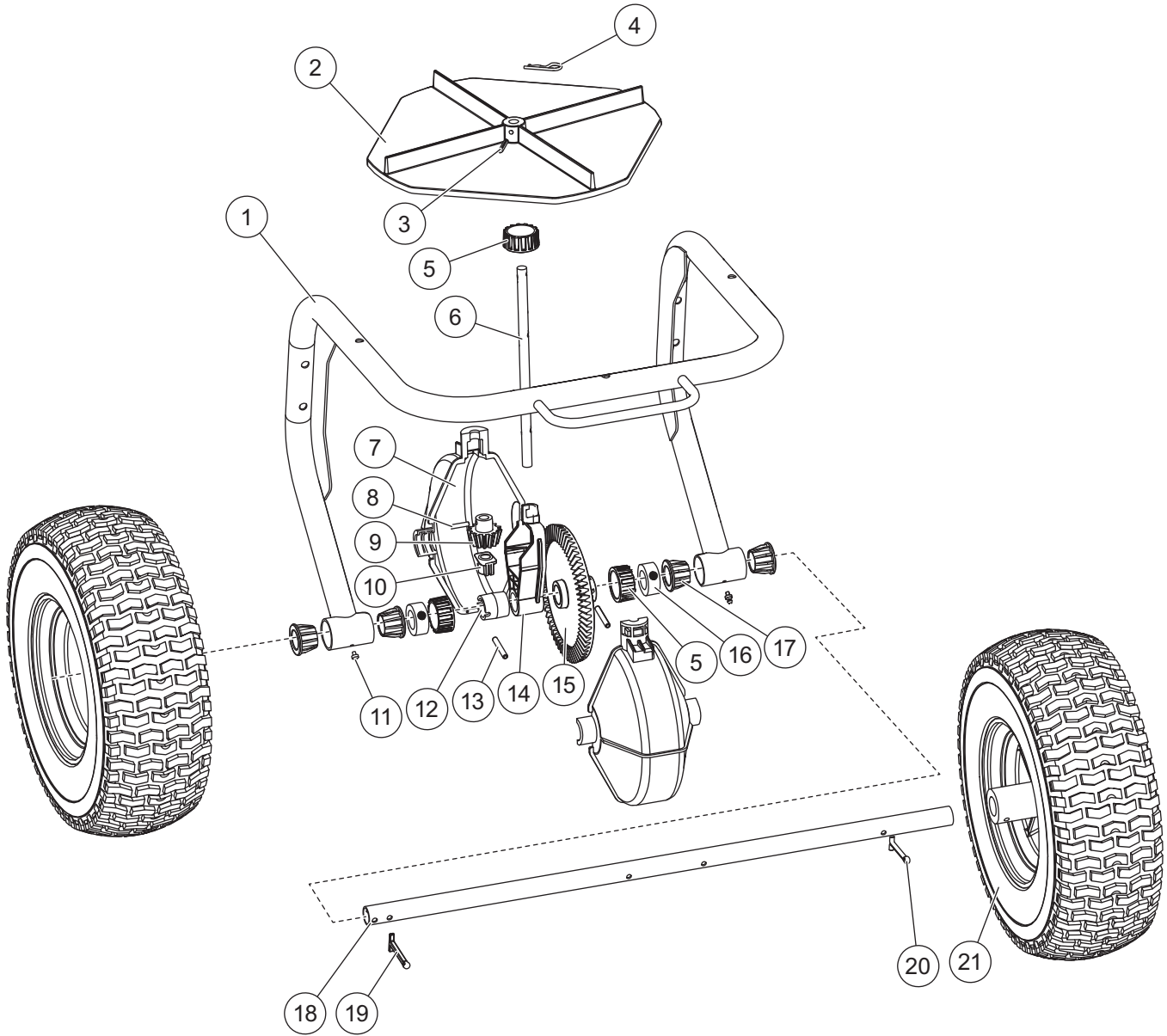
SP-85 & SP-85SS Deflector Assembly Components

Item	Part	Qty	Description	Item	Part	Qty	Description
1	D5931	1	Material Deflector	7	50970	3	1/4-20 Locknut Waxed SS
2	D5932	2	Material Deflector	8	D5940	6	3/4 Clamp with 3/8 Hole
3	D5951	3	Deflector Support Bracket	9	D5209	6	5/16-18 x 3/4 Hex Cap Screw SS
4	D5953	3	1/4-20 x 1-5/8 Hex Cap Screw SS	10	51009	6	3/8 Flat Washer SS
5	D5952	6	1/4 x 1 Fender Washer SS	11	50971	6	5/16-18 Locknut Waxed SS
6	T15023	3	1/4 Flat Washer, Nylon				

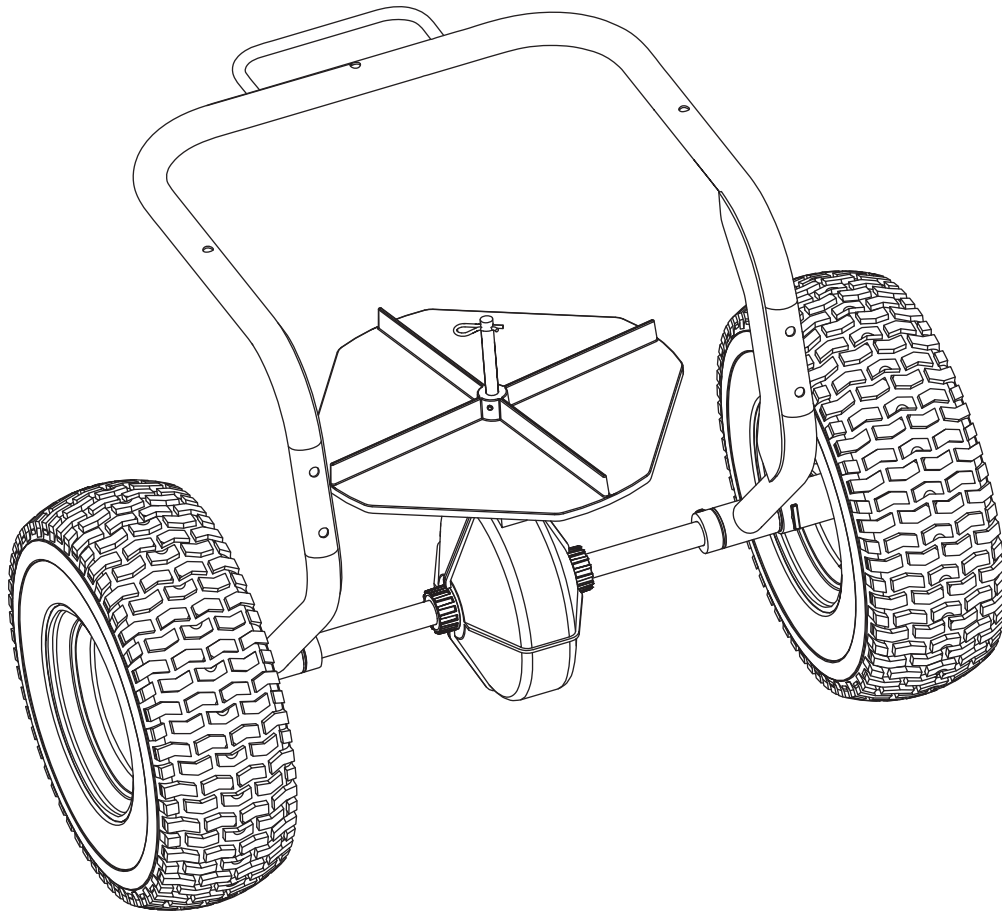
SS = Stainless Steel

SP-85 WALK-BEHIND BROADCAST SPREADER

AXLE ASSEMBLY COMPONENTS: MODEL SP-85



SP-85 WALK-BEHIND BROADCAST SPREADER



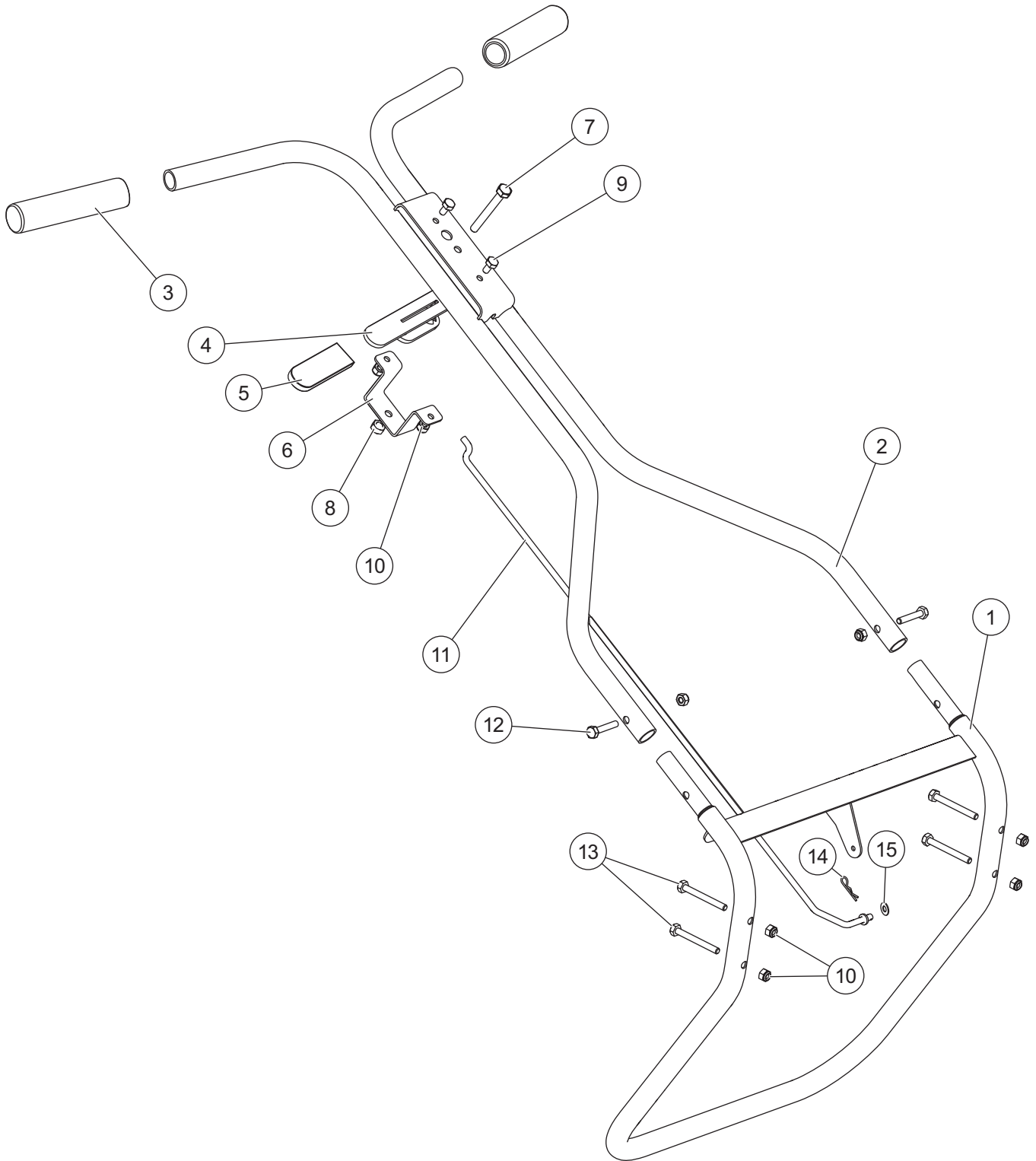
SP-85 Axle Assembly

Item	Part	Qty	Description	Item	Part	Qty	Description
1	11235	1	Hopper Frame	12	88270	1	Axle Spacer
2	88271	1	12" Spinner, Poly	13	50934	2	3/16 x 1-1/4 Spring Pin
3	50947	1	5/32 x 1 Spring Pin	14	88265	1	Gear Support
4	50963	1	1-1/2 x 0.125 Stir Wire	15	88262	1	Bevel Gear, 5-1/2 Diameter
5	88268	3	Lock Ring	16	50965	2	3/4 Shaft Collar w/Set Screw, Plastic
6	50916	1	3/8 x 8-1/2 Spinner Shaft SS	17	50935	4	Wheel Bushing, Nylon
7	88264	2	Gear Cover	18	50915	1	3/4 x 24.3 Axle
8	50946	1	5/32 x 3/4 Spring Pin	19	50933	1	3/16 x 2 Cotter Pin SS
9	88263	1	Bevel Gear, 1-1/2 Diameter	20	50957	1	3/16 x 1-1/2 Cotter Pin SS
10	88267	1	Spinner Shaft Support	21	50907	2	Wheel
11	50964	2	Grease Fitting Straight 1/8" Drive				

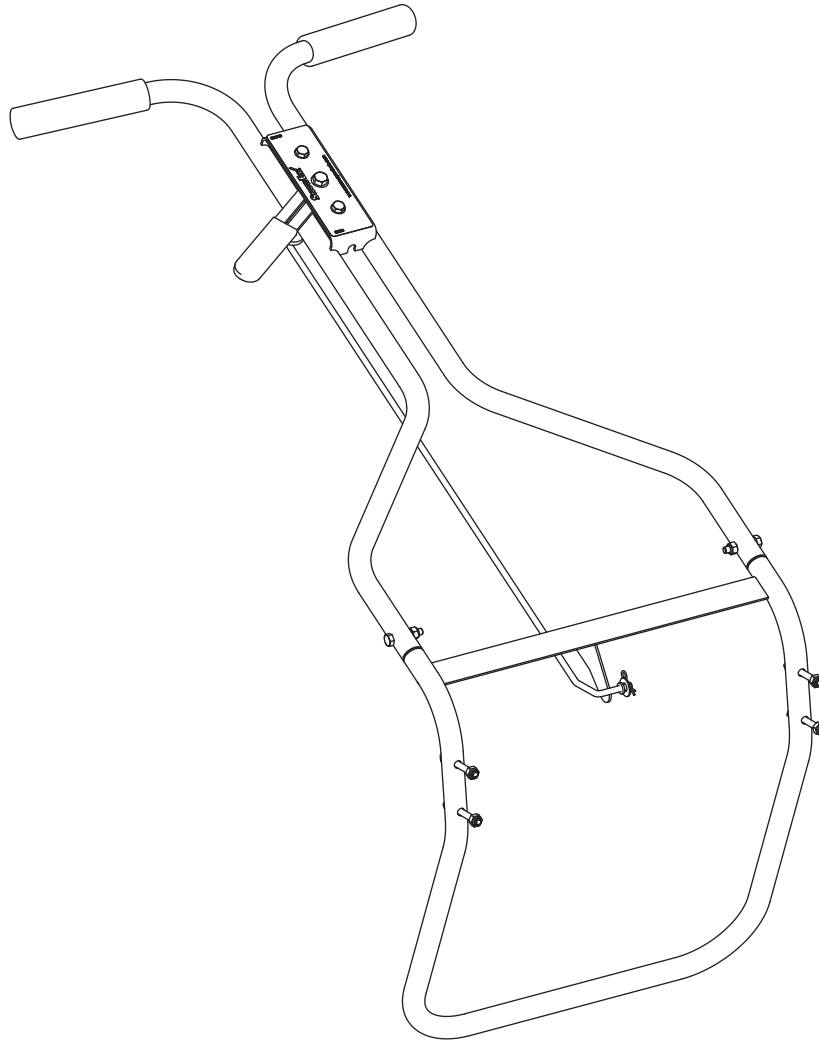
SS = Stainless Steel

SP-85 WALK-BEHIND BROADCAST SPREADER

HANDLE ASSEMBLY COMPONENTS: MODEL SP-85



SP-85 WALK-BEHIND BROADCAST SPREADER



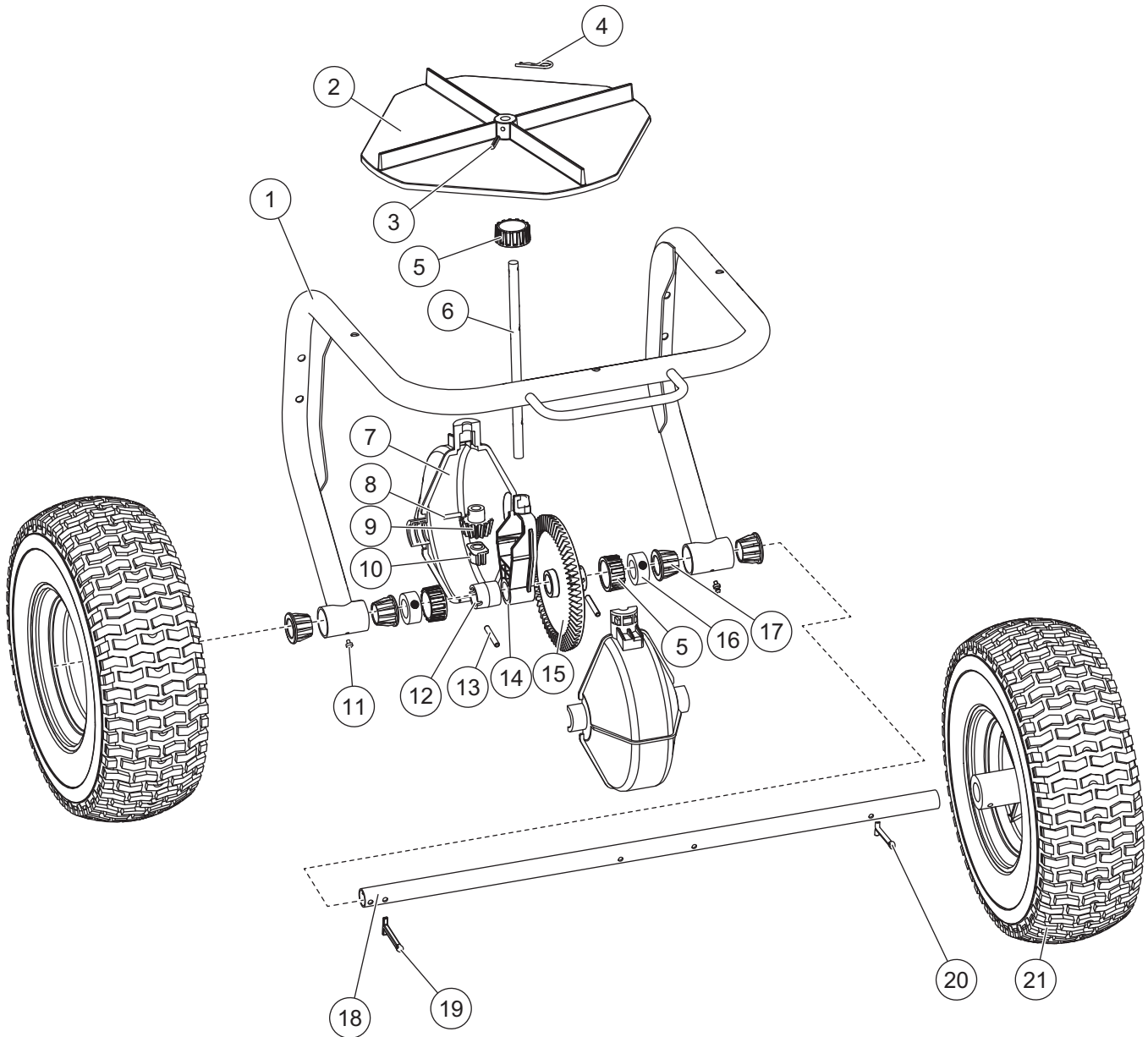
SP-85 Handle Assembly Components

Item	Part	Qty	Description	Item	Part	Qty	Description
1	50909	1	Frame Stand	9	50949	2	1/4-20 x 1/2 Hex Cap Screw SS
2	50912	1	Push Spreader Handle	10	50970	8	1/4-20 Locknut Waxed SS
3	50917	2	7/8 x 5-1/2 Handle Grip	11	50918	1	Gate Actuator Rod
4	50937	1	Gate Handle	12	50911	2	1/4-20 x 1-3/8 Hex Cap Screw SS
5	50940	1	3/16 x 3-1/2 Handle Cover	13	50948	4	1/4-20 x 2-1/4 Hex Cap Screw SS
6	50936	1	Gate Handle Bracket	14	50953	1	0.0585 x 1-1/8 Hairpin Cotter SS
7	50956	1	5/16 x 2-1/2 Hex Cap Screw SS	15	D5949	1	5/16 Flat Washer SS
8	50971	1	5/16-18 Locknut Waxed SS				

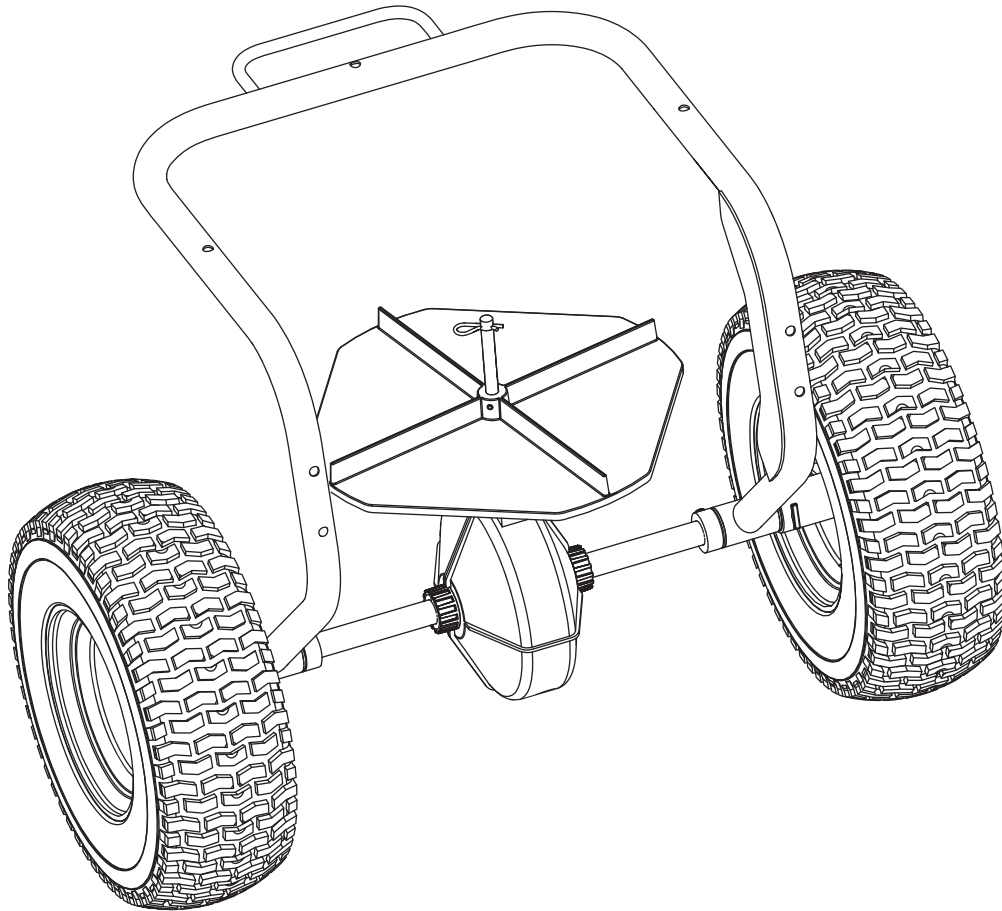
SS = Stainless Steel

SP-85SS WALK-BEHIND BROADCAST SPREADER

AXLE ASSEMBLY COMPONENTS: MODEL SP-85SS



SP-85SS WALK-BEHIND BROADCAST SPREADER

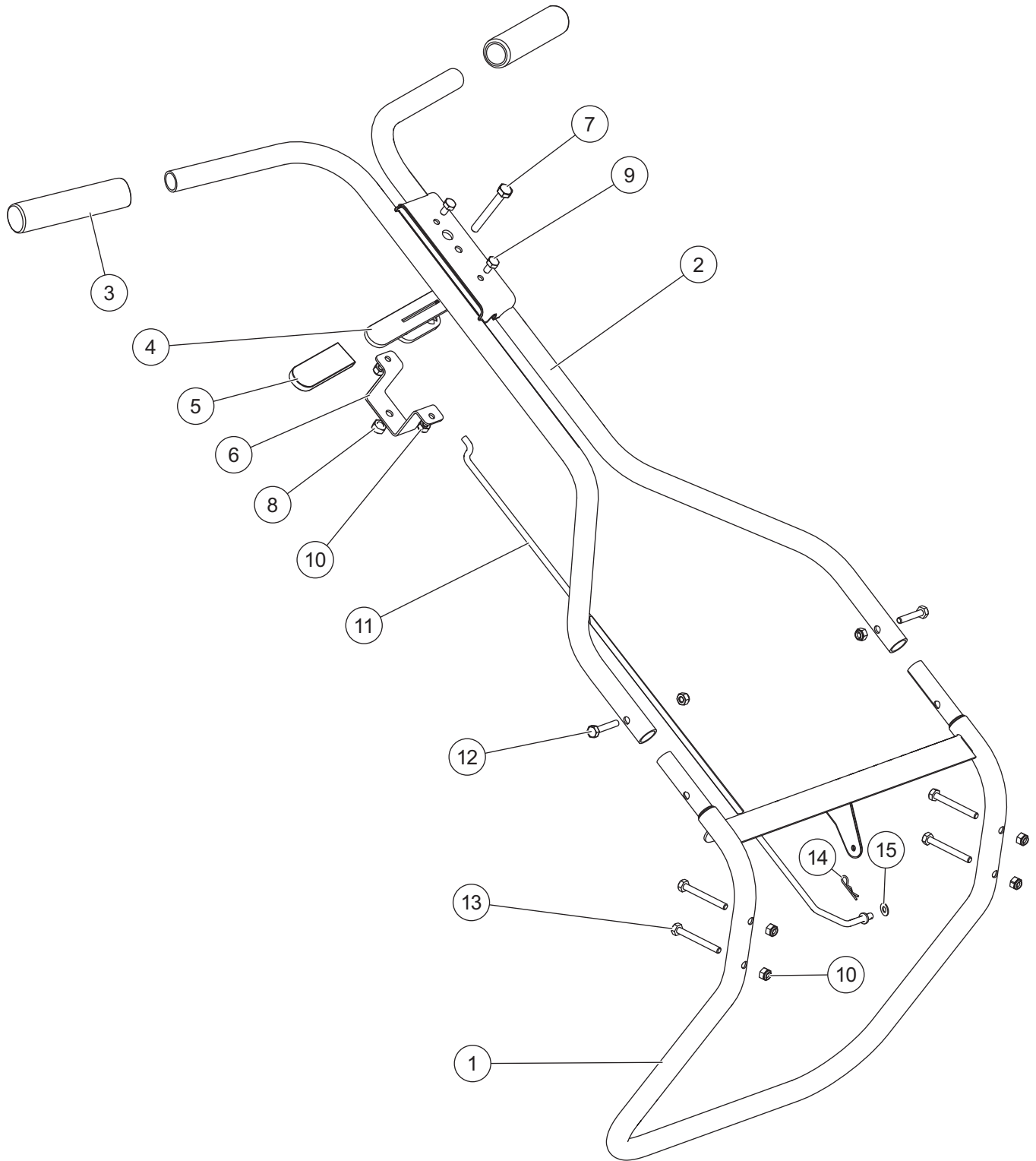


SP-85SS Axle Assembly							
Item	Part	Qty	Description	Item	Part	Qty	Description
1	T30151	1	Hopper Frame	12	88270	1	Axle Spacer
2	88271	1	12" Spinner, Poly	13	50934	2	3/16 x 1-1/4 Spring Pin
3	50947	1	5/32 x 1 Spring Pin	14	88265	1	Gear Support
4	50963	1	1-1/2 x 0.125 Stir Wire	15	88262	1	Bevel Gear, 5-1/2 Diameter
5	88268	3	Lock Ring	16	50965	2	3/4 Shaft Collar w/Set Screw, Plastic
6	50916	1	3/8 x 8-1/2 Spinner Shaft SS	17	50935	4	Wheel Bushing, Nylon
7	88264	2	Gear Cover	18	50915	1	3/4 x 24.3 Axle
8	50946	1	5/32 x 3/4 Spring Pin	19	50933	1	3/16 x 2 Cotter Pin SS
9	88263	1	Bevel Gear, 1-1/2 Diameter	20	50957	1	3/16 x 1-1/2 Cotter Pin SS
10	88267	1	Spinner Shaft Support	21	50907	2	Wheel
11	50964	2	Grease Fitting Straight 1/8" Drive				

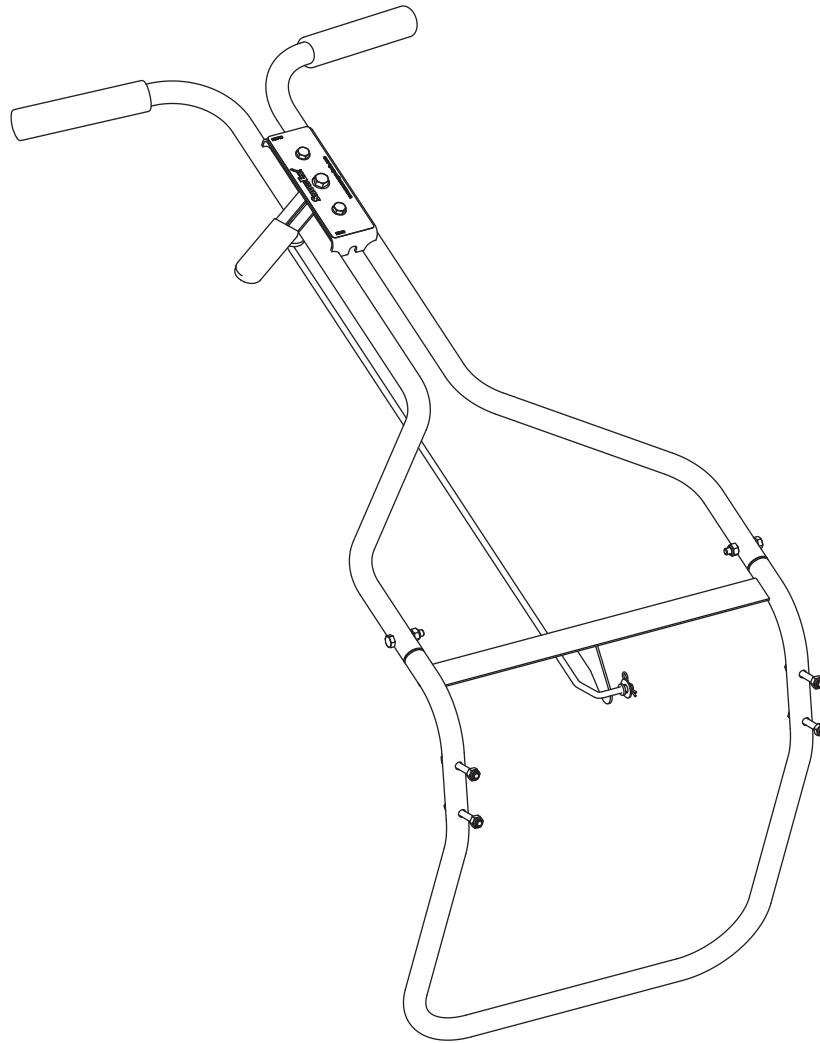
SS = Stainless Steel

SP-85SS WALK-BEHIND BROADCAST SPREADER

HANDLE ASSEMBLY COMPONENTS: MODEL SP-85SS



SP-85SS WALK-BEHIND BROADCAST SPREADER



SP-85SS Handle Assembly Components

Item	Part	Qty	Description	Item	Part	Qty	Description
1	T30152	1	Frame Stand	9	50949	2	1/4-20 x 1/2 Hex Cap Screw SS
2	T30153	1	Push Spreader Handle	10	50970	8	1/4-20 Locknut Waxed SS
3	50917	2	7/8 x 5-1/2 Handle Grip	11	50918	1	Gate Actuator Rod
4	50937	1	Gate Handle	12	50911	2	1/4-20 x 1-3/8 Hex Cap Screw SS
5	50940	1	3/16 x 3-1/2 Handle Cover	13	50948	4	1/4-20 x 2-1/4 Hex Cap Screw SS
6	50936	1	Gate Handle Bracket	14	50953	1	0.0585 x 1-1/8 Hairpin Cotter SS
7	50956	1	5/16 x 2-1/2 Hex Cap Screw SS	15	D5949	1	5/16 Flat Washer SS
8	50971	1	5/16-18 Locknut Waxed SS				

SS = Stainless Steel



TrynEx International, LLC
531 Ajax Drive
Madison Heights, MI 48071-2429
www.snowexproducts.com

 A DIVISION OF DOUGLAS DYNAMICS, LLC

Copyright © 2020 Douglas Dynamics, LLC. All rights reserved. This material may not be reproduced or copied, in whole or in part, in any printed, mechanical, electronic, film, or other distribution and storage media, without the written consent of TrynEx International, LLC. Authorization to photocopy items for internal or personal use by TrynEx International outlets or spreader owner is granted.

TrynEx International reserves the right under its product improvement policy to change construction or design details and furnish equipment when so altered without reference to illustrations or specifications used. TrynEx International may require or recommend optional equipment for spreaders. TrynEx International offers a limited warranty for all spreaders and accessories. See separately printed page for this important information. The following is a registered (®) trademark of Douglas Dynamics, LLC: SnowEx®.

Printed in U.S.A.