



Fisher Engineering

50 Gordon Drive, Rockland, Maine 04841-2139 • www.fisherplows.com

**85280, 85285
85240, 85240-1, 85240-3**

February 1, 2023
Lit. No. 85283, Rev. 07



HS Compact Plow

**Blade Assembly 85280, 85285
Off-Truck Kit 85240, 85240-1, 85240-3**

Parts List

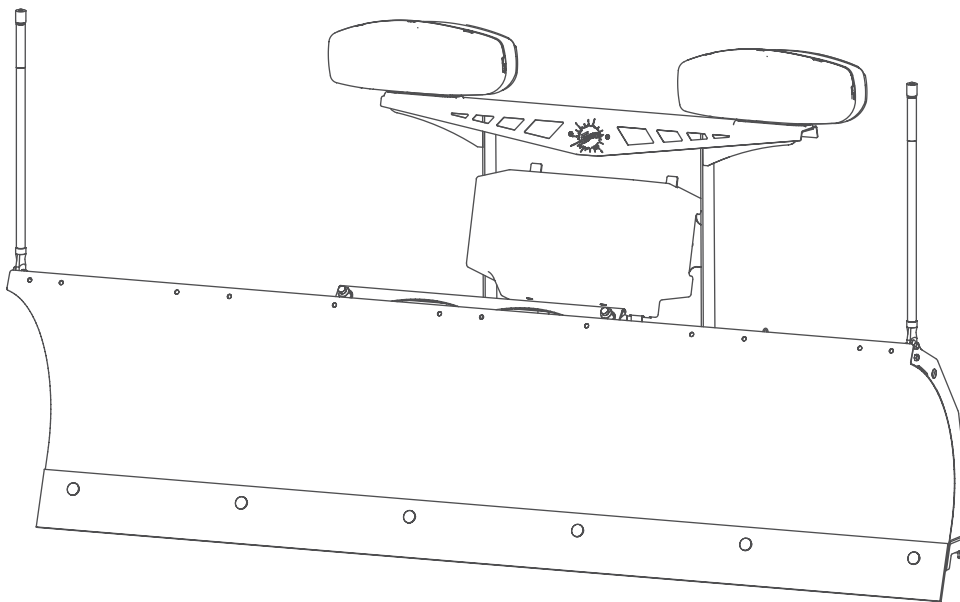
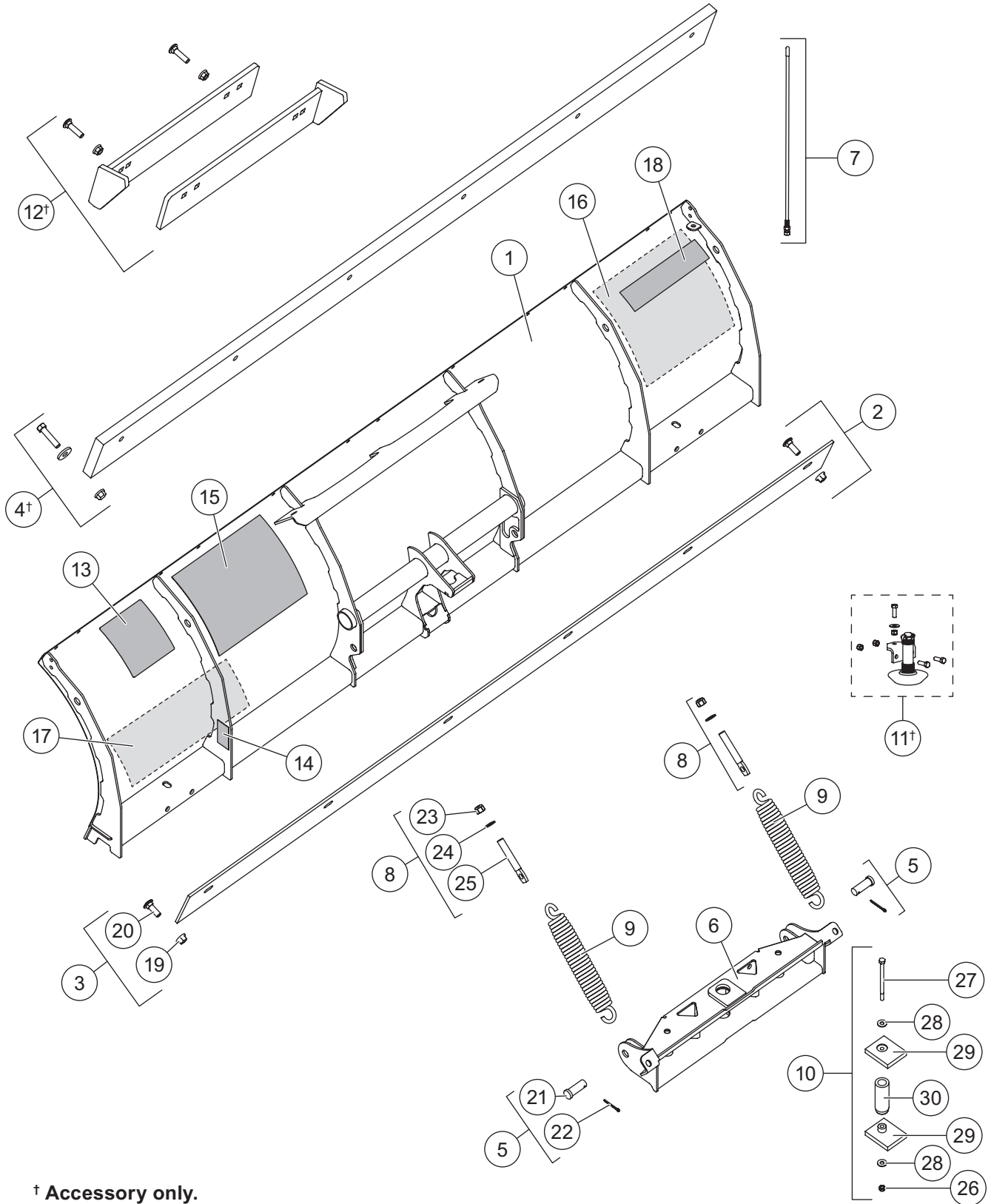


TABLE OF CONTENTS

COMPACT PLOW ASSEMBLY	4
HEADGEAR AND A-FRAME ASSEMBLY	6
HYDRAULIC COMPONENTS	8
Hydraulic Unit.....	8
Lift and Angle Rams	10
Hoses and Fittings	10
VEHICLE-SIDE HARNESS DIAGRAM	11
HEADLAMP KITS	12–13

Blade Components



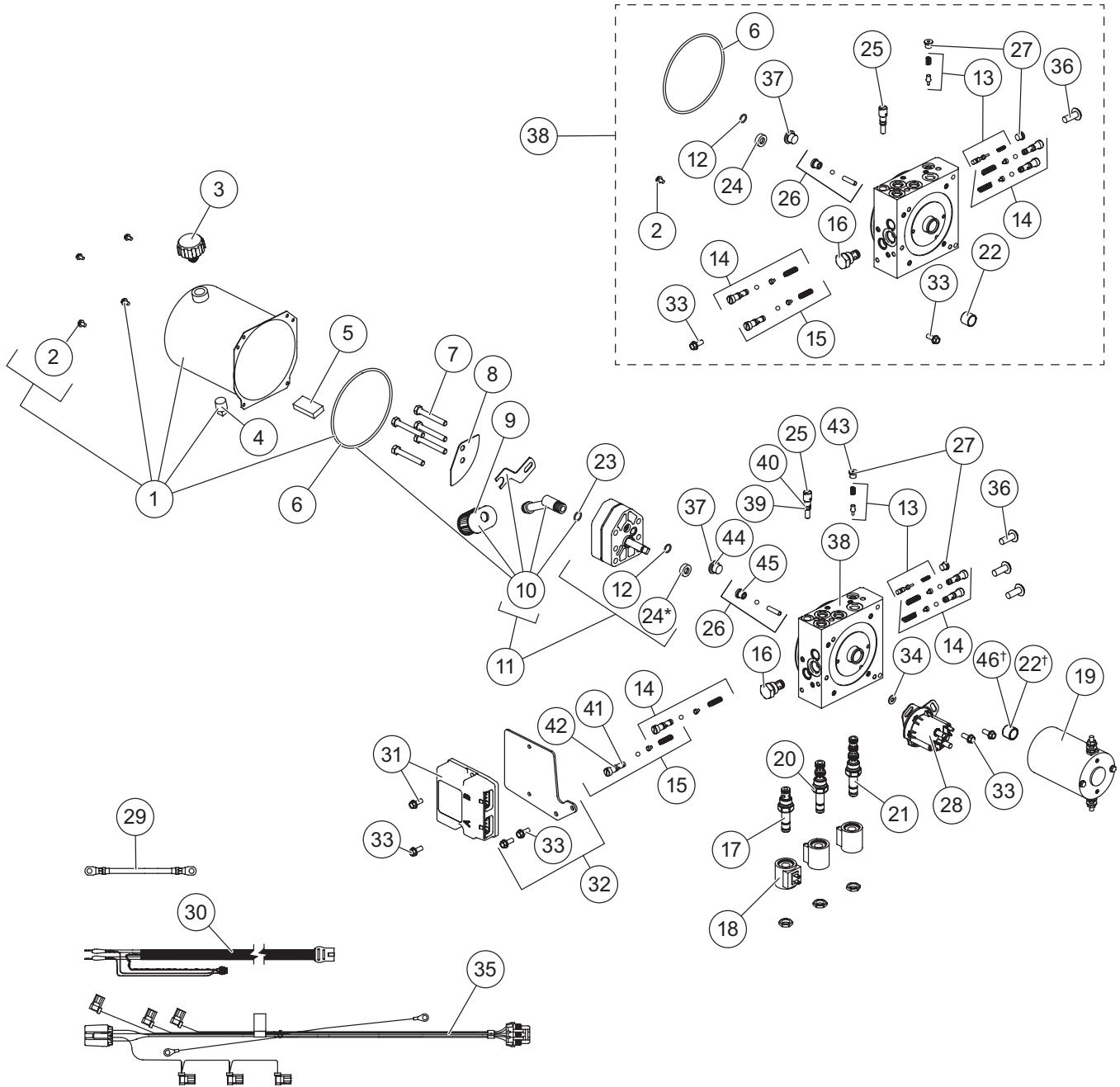
† Accessory only.

85280/85285 Blade Components							
Item	Part	Qty	Description	Item	Part	Qty	Description
1	85277	1	HS Compact Blade w/Labels, 6'8"	9	B61167	2	Trip Spring
	85278	1	HS Compact Blade w/Labels, 7'2"	10	84629	1	Center Pivot Bolt Kit
2	93678	1	1/4 Steel Cutting Edge Kit, 6'8"	11†	83845	1	Shoe Assembly Kit
	93679	1	1/4 Steel Cutting Edge Kit, 7'2"	12†	85332	1	Curb Guard Kit
	85289†	1	3/8 Steel Cutting Edge Kit, 6'8"	13	59900	1	Label – Warning/Caution, Snowplows
	85290†	1	3/8 Steel Cutting Edge Kit, 7'2"	14	29256	1	Label – Warning, Foot Crush
3	76512	1	Cutting Edge Bolt Bag	15	88339	1	Label – Information, Attach/Detach
4	76477†	1	Poly Cutting Edge Kit, 7'2"	16	96991	1	Label – Logo, FISHER® Moldboard
	76476†	1	Poly Cutting Edge Kit, 6'8"	17	83837	1	Label – Logo, HS Moldboard
5	4289K	2	3/4 x 2 Clevis Pin Kit w/Cotter	18	26211	1	Label – Logo, STORM GUARD™
6	84573	1	Quadrant LT	ns	85296	1	Blade Label Kit – HS
7	7906K	1	Blade Guide (set of 2)	ns	85263†	1	Rubber Deflector Kit
8	84702	2	Eyebolt Kit				
Item 2 93678 (6'8") / 93679 (7'2") 1/4 Steel Cutting Edge Kit							
	1	1	1/4 Steel Cutting Edge	3	76512	1	Cutting Edge Bolt Bag
Item 3 76512 Cutting Edge Bolt Bag							
19	6	1/2-13	Hex Locknut GB	20	6	1/2-13 x 1-3/4	Carriage Bolt G8
Item 5 4289K 3/4 x 2 Clevis Pin Kit with Cotter							
21	2	3/4 x 2	Clevis Pin	22	2	5/32 x 1-1/2	Cotter Pin
Item 8 84702 Eyebolt Kit							
23	1	5/8-11	Hex Locknut GB	25	1	5/8-11 x 4	Eyebolt
24	1	5/8	Hardened Flat Washer				
Item 10 84629 Center Pivot Bolt Kit							
26	1	5/16-18	Hex Locknut GB	29	27615	2	Bumper
27	1	5/16-18 x 5	Hex Cap Screw G5	30		1	Pivot Tube
28	2	5/16	Flat Washer Type A				
85296 Blade Label Kit – HS							
13	59900	1	Label – Warning/Caution, Snowplows	16	96991	1	Label – Logo, FISHER Moldboard
14	29256	1	Label – Warning, Foot Crush	17	83837	1	Label – Logo, HS Moldboard
15	88339	1	Label – Information, Attach/Detach	18	26211	1	Label – Logo, STORM GUARD
ns = not shown				G = Grade			

† Accessory only.

Compact Plow Headgear and A-Frame Components							
Item	Part	Qty	Description	Item	Part	Qty	Description
1	85323	1	Headgear	10	83881	1	Stand Pin Kit
2	85194	1	Hydraulic Cover (incl. item 3)	11	83792	1	Receiver Kit, PS
3	84963	1	Label – Information, Hydraulic	12	83791	1	Receiver Kit, DS
4	85324	1	A-Frame	13	84627	1	Lift Ram Rod Pin Kit
5	7904K	2	A-Frame Pin Kit	14	85199	1	Lift Ram Base Pin Kit
6	83629	2	Angle Ram Rod Pin Kit	15	84778	1	Power Cable Clamp Loop Kit
7	85198	2	Angle Ram Base Pin Kit	16	85325	1	Light Bar
8	85328	1	Stand	19	61246	1	Cable Boot
9	27164K	1	Stand Handle Kit				
Item 5				7904K A-Frame Pin Kit			
20		1	1 x 3-5/16 Clevis Pin	21		1	1/4 x 1-1/2 Cotter Pin
Item 6				83629 Angle Ram Rod Pin Kit			
22		1	5/32 x 1-1/2 Cotter Pin	23		1	1/2 x 3-11/16 Clevis Pin HT
Item 7				85198 Angle Ram Base Pin Kit			
22		1	5/32 x 1-1/2 Cotter Pin	24		1	1/2 x 2-7/8 Clevis Pin HT
Item 10				83881 Stand Pin Kit			
25		1	3/16 x 1-1/4 Roll Pin BP	27		1	Spring Lock Pin Stand
26	69527	1	Pin Lock Stand				
Item 11				83792 Receiver Kit, PS			
		1	Receiver, PS	29	83886	1	Hitch Pin Kit
28	84610	2	Receiver Pin Kit				
Item 12				83791 Receiver Kit, DS			
		1	Receiver, DS	29	83886	1	Hitch Pin Kit
28	84610	2	Receiver Pin Kit				
Item 13				84627 Lift Ram Rod Pin Kit			
22		1	5/32 x 1-1/2 Cotter Pin	30		1	1/2 x 2-1/8 Clevis Pin HT
Item 14				85199 Lift Ram Base Pin Kit			
24		1	1/2 x 2-7/8 Clevis Pin HT	31		1	1/8 Hairpin Cotter
Item 15				84778 Power Cable Clamp Loop Kit			
32		1	1/4-20 Hex Locknut GB	34		1	#10 Clamp Loop
33		1	1/4-20 x 1 Hex Cap Screw G5				
Item 16				85325 Light Bar			
		1	Light Channel	18	85331	1	Light Bar Hardware Kit
17	85326	1	Backer Plate				
Item 18				85331 Light Bar Hardware Kit			
35		4	#8-32 x 1/2 Machine Screw	36		1	#8-32 Locknut GB
Item 28				84610 Receiver Pin Kit			
31		1	1/8 Hairpin Cotter	37		1	1/2 x 4 Clevis Pin
Item 29				83886 Hitch Pin Kit			
38		1	1/4 x 2 Roll Pin BP	40	85253	1	0.72 OD x 4-1/4 Spring
39		1	Hitch Pin HT				
				G = Grade HT = Heat Treated			

Hydraulic Unit Components



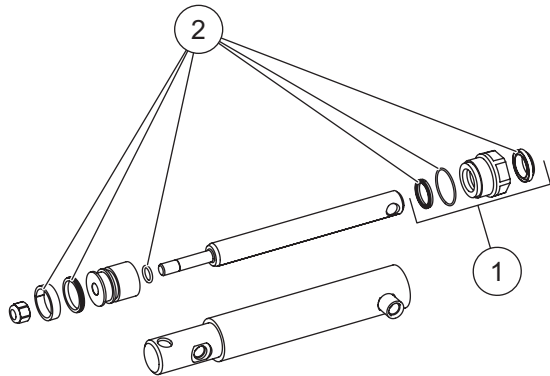
84949 Hydraulic Unit Components							
Item	Part	Qty	Description	Item	Part	Qty	Description
1	48538	1	Reservoir Kit	25	48517	1	Quill
2	66607	4	#10-24 x 5/16 Slotted Hex Washer-Head Machine Screw	26	48518	1	Check Valve Assembly
3	21727-2	1	Breather 3/8 NPT Kit	27	92960	2	3/8-24 O-Ring Boss Plug
4	92079	1	Plug 3/8 NPTF	28	52290	1	Motor Relay
5	73897	1	Magnet	29	29071	1	8" Cable Assembly
6	66519	1	O-Ring 2-250	30	42015	1	Cable Assembly Plow
7	90073	5	5/16-18 x 2-1/4 Hex Cap Screw G5	31	49567	1	Plow Module
8	48464	1	Plate Baffle	32	84957	1	Module Plate w/Screws
9	26781-4	1	Suction Filter	33	44355	6	1/4-20 x 5/8 Hex Washer-Head Thread-Rolling Screw
10	66763-1	1	Inlet Fitting/Filter Kit	34	91119	1	3/16 Flat Washer Type A Special
11	27746	1	Hydraulic Pump Kit – IA	35	28581-1	1	Harness Plow Control 3-Solenoid
12	56274	1	O-Ring -013	36	98043	3	3/8-16 x 1 Button Head Cap Screw
13	7630K	1	Poppet Check Valve Kit	37	56532	1	Plug -6 SAE O-Ring Boss
14	7629K-4	2	Relief Valve Kit (2 sets)	38	84950	1	Manifold Assy w/Valves (incl. items 2, 6, 12–16, 22, 24–27, 33, 35, 36)
15	27792-1	1	Relief Valve Repair Kit	39	48239	1	O-Ring -106
16	44333-1	1	Check Valve CV08-20	40	48240	1	Back-Up Ring -106
17	7634K-2	1	Valve 2-Way w/Nut	41	55371	4	O-Ring -008
18	7639K-2	3	Coil w/Spade Terminals	42	25731	4	O-Ring -010
19	48543-1	1	Motor Assembly, 3"	43	26784	2	O-Ring -903
20	66608K-1	1	Cartridge Valve 3-Way w/Nut	44	56569	1	O-Ring -906
21	7637K-1	1	Cartridge Valve 4-Way w/Nut	45	44343	1	O-Ring -904
22 [†]	56364	1	Bearing, Sleeve	46 [†]	64596-1	1	Sleeve Bearing and Shaft Seal Kit
23	56416	1	O-Ring -014				
24 [*]	66515	1	Pump Shaft Seal				
O-Ring Service Kits							
ns	7632K-5	–	O-Ring & Back-Up Ring Kit	ns	49259-2	–	Seal Kit Cartridge 3-Way and 4-Way
ns	49258-2	–	Seal Kit 2-Way Valve				
ns = not shown				G = Grade			

* Use 28856 tool for pump shaft seal replacement (includes 1 seal).

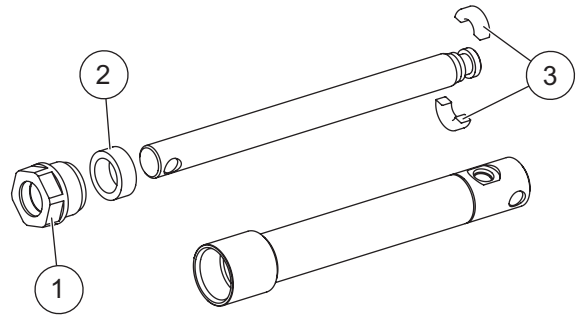
† Use 64589 tool for bearing sleeve replacement (includes 1 bearing).

Go to www.fisherplows.com for hydraulic unit service information and specifications.

Lift and Angle Ram Components

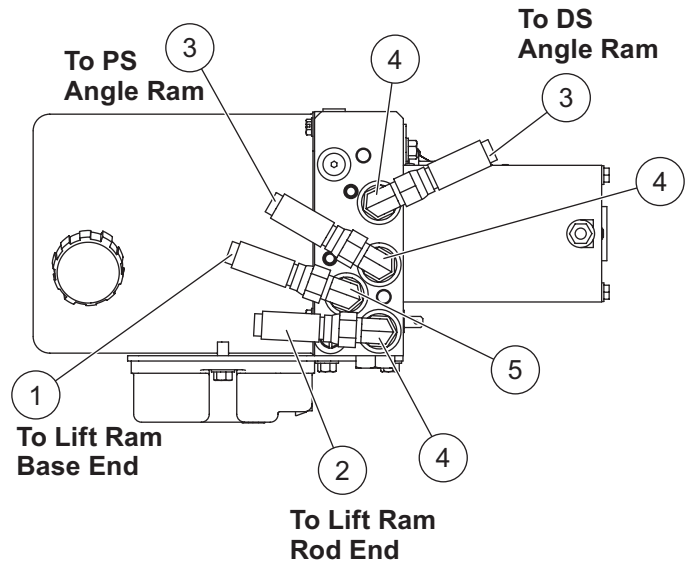
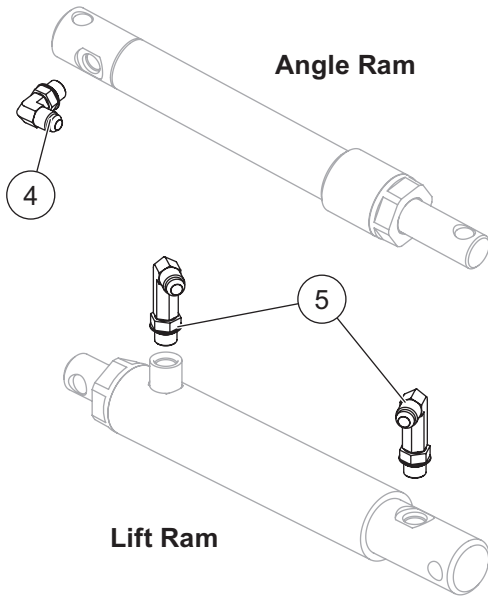


84496 Lift Ram Assembly 1-1/2 x 6 DA			
Item	Part	Qty	Description
1	52277	1	1" Gland Nut Assembly
2	27788-1	1	Seal Kit 1-1/2" DA Ram



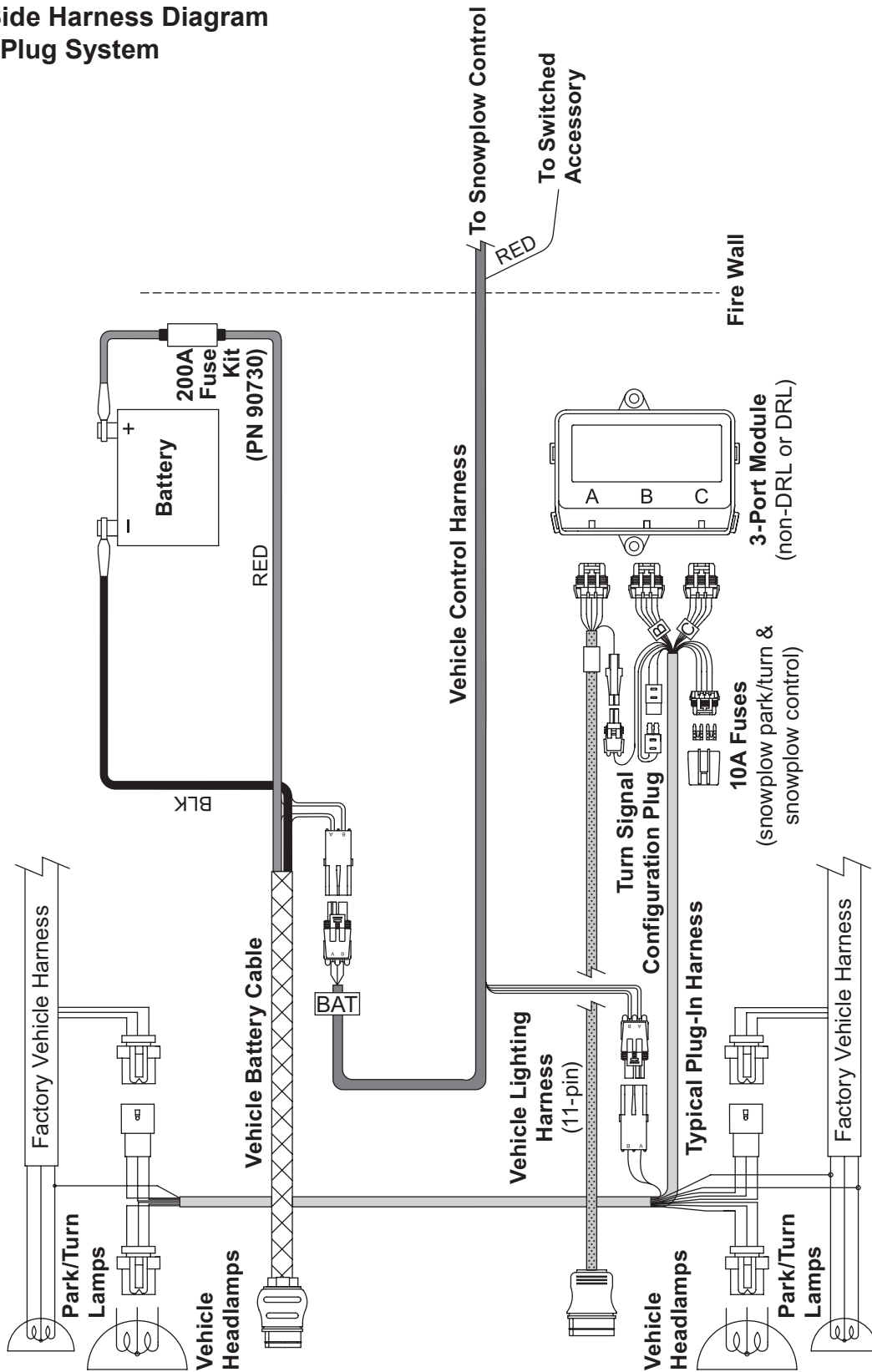
56772K Angle Ram Assembly 1 x 7			
Item	Part	Qty	Description
1	52277	1	1" Gland Nut Assembly
2	56803	1	Spacer
3	56771F	1	1" Split Bearing Kit

Hoses and Fittings

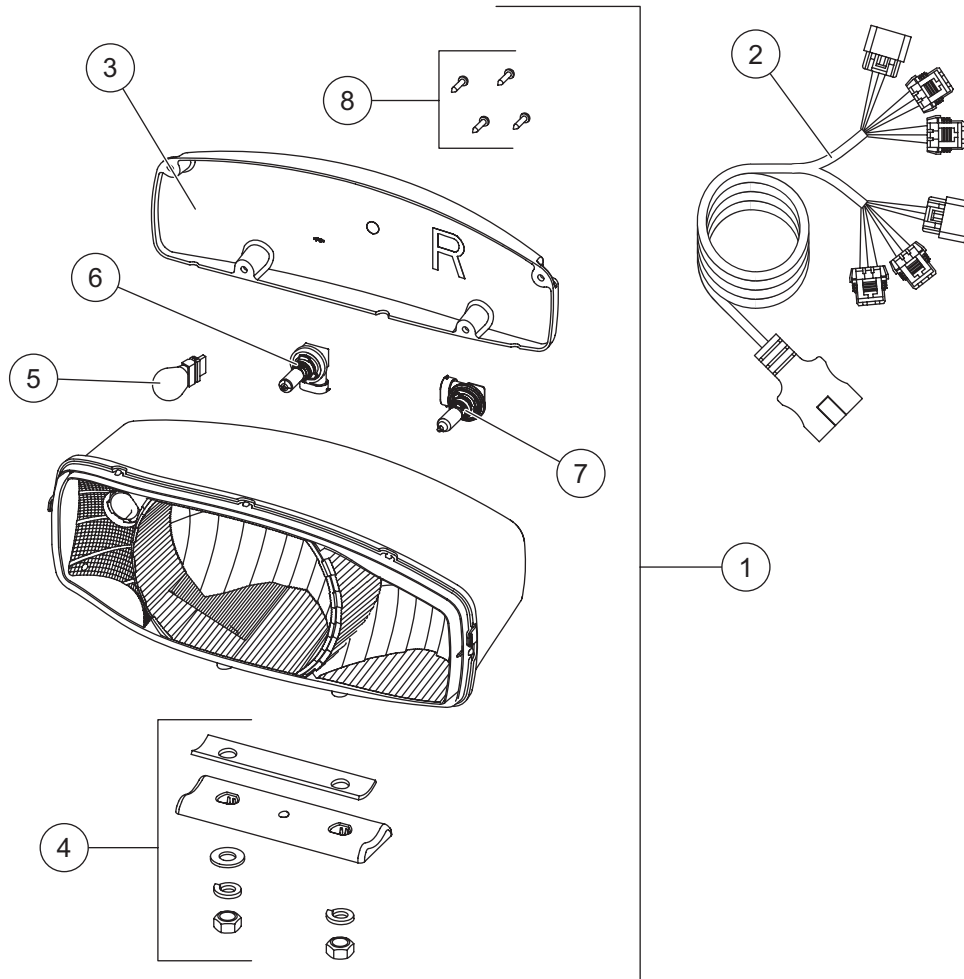


Hoses and Fittings							
Item	Part	Qty	Description	Item	Part	Qty	Description
1	84446	1	Hose, 1/4 x 14 w/F JIC Ends	5	44361	3	Elbow, Extra Long 90° -6 M JIC/-6 M ORB
2	56830	1	Hose, 1/4 x 22 w/F JIC Ends	ns	56823	1	Hose Wrap
3	56710	2	Hose, 1/4 x 32 w/F JIC Ends				
4	56615-1	5	Elbow, 90° -6 M JIC/-6 M ORB				
			F = Female			ns = not shown	M = Male

**Vehicle-Side Harness Diagram
3-Port, 2-Plug System**



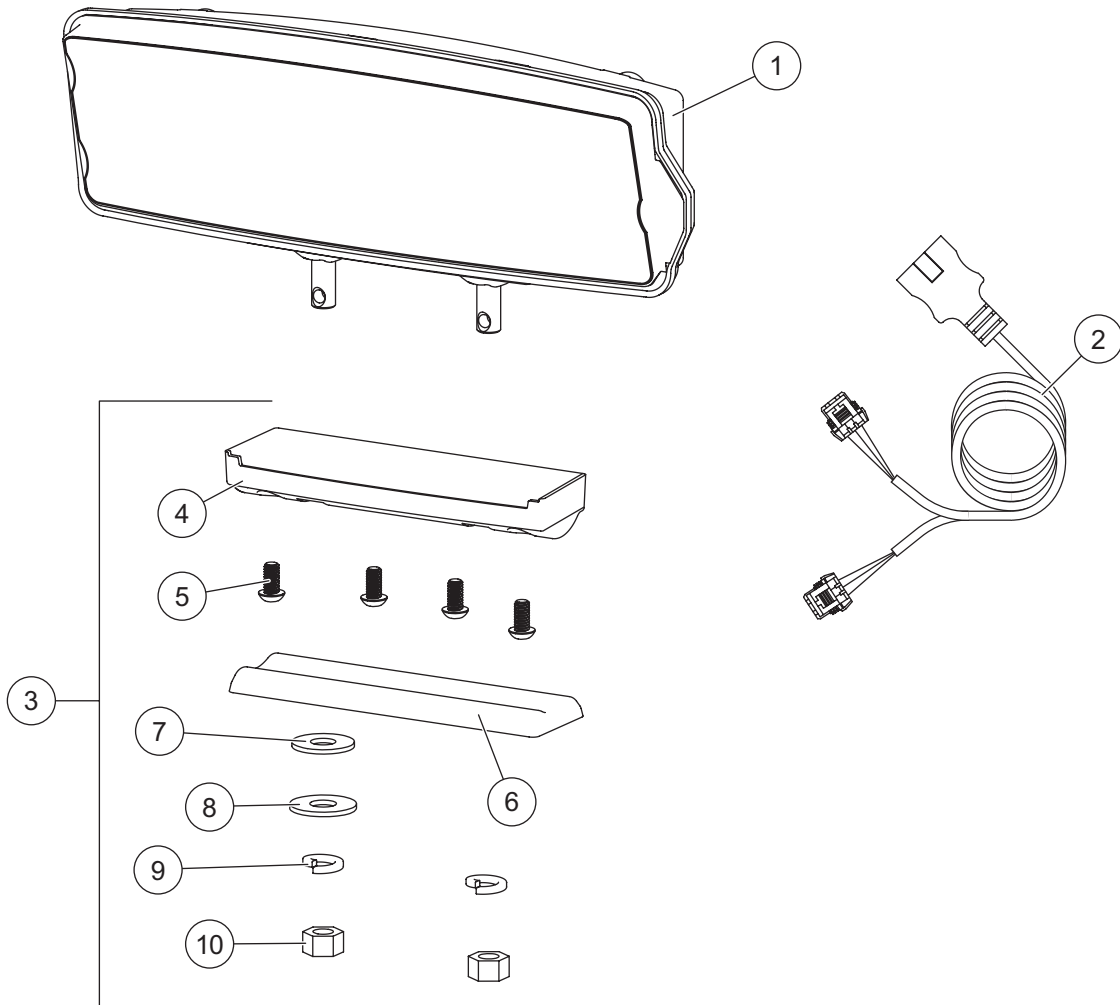
Headlamp Kit – Halogen



38800 Headlamp Kit H9/H11 (pair)							
Item	Part	Qty	Description	Item	Part	Qty	Description
1	38802	1	Headlamp Service Kit H9/H11 – PS	2	38807	1	Harness Service Kit H9/H11
ns	38801	1	Headlamp Service Kit H9/H11 – DS				
Item 1	38801/38802 Headlamp Service Kit H9/H11 – PS/DS						
3	38803	1	Rear Cover Kit H9/H11 – PS	6	38811	1	Headlamp Bulb Service Kit H11
ns	38812	1	Rear Cover Kit H9/H11 – DS	7	38809	1	Headlamp Bulb Service Kit H9
4	38804	1	Mounting Hardware Kit H9/H11	8	38808	1	Cover Screws Service Kit H9/H11 (pkg of 4)
5		1	Park/Turn Bulb (trade no. 4157NAK)				

ns = not shown

Headlamp Kit – LED



Headlamp Kit LED							
Item	Part	Qty	Description	Item	Part	Qty	Description
1	39901	1	Headlamp Service Kit LED – DS	3	39903	1	Mounting Hardware Kit LED
ns	39902	1	Headlamp Service Kit LED – PS	ns	72512	1	LED Harness Connector Cover (pkg of 2)
2	72548	1	Harness Service Kit LED				
Item 3				39903 Mounting Hardware Kit LED			
4		1	Plastic Casing	8		1	1/2 Flat Washer
5		4	1/4 Button Cap Screw	9		2	1/2 Lock Washer
6		1	Headlamp Swivel	10		2	1/2 Hex Nut
7		1	1/2 Rubber Washer	ns		1	Metal Insert
ns = not shown							



Fisher Engineering
50 Gordon Drive
Rockland, ME 04841-2139
www.fisherplows.com

A DIVISION OF FISHER, LLC

Copyright © 2023 Douglas Dynamics, LLC. All rights reserved. This material may not be reproduced or copied, in whole or in part, in any printed, mechanical, electronic, film, or other distribution and storage media, without the written consent of Fisher Engineering. Authorization to photocopy items for internal or personal use by Fisher Engineering outlets or snowplow owner is granted.

Fisher Engineering reserves the right under its product improvement policy to change construction or design details and furnish equipment when so altered without reference to illustrations or specifications used. Fisher Engineering or the vehicle manufacturer may require or recommend optional equipment for snow removal. Do not exceed vehicle ratings with a snowplow. Fisher Engineering offers a limited warranty for all snowplows and accessories. See separately printed page for this important information. The following are registered (®) or unregistered (™) trademarks of Douglas Dynamics, LLC: FISHER®, STORM GUARD™.

Printed in U.S.A.