



86000-1, 86000-3, 86000-4, 86100-1(CH), 86100-3(CH), 86100-4(CH)
86200, 86205-1, 86205-3, 86205-4, 86300, 87000-1
Fisher Engineering 87000-3, 87000-4, 87100, 87200, 87300

50 Gordon Drive, Rockland, Maine 04841-2139 • www.fisherplows.com

November 15, 2022
Lit. No. 85301, Rev. 15



Blade and Off-Truck Kit

XV2™ Snowplow

Includes Central Hydraulics Applications

Parts List

XV2™ BLADE COMPONENTS	4
XV2 OFF-TRUCK KITS	6
Headgear and T-Frame Components	6
Hydraulic Unit Components	8
Hydraulic Unit Cover Assembly	10
Lift and Angle Ram Components.....	11
Hoses and Fittings	12
Electrical Components.....	13
Vehicle-Side Harness Diagrams.....	14
Headlamp Kits.....	16–17

**86000-1, 86000-3, 86000-4, 86100-1(CH), 86100-3(CH), 86100-4(CH), 86200
86205-1, 86205-3, 86205-4, 86300, 87000-1, 87000-3, 87000-4, 87100, 87200, 87300**

86200/86300/87100/87200/87300 XV2™ Blade Components						
Item	Description	Part Number				
		7'6"	8'6"		9'6"	
		SS	MS	SS	MS	SS
1	Moldboard Kit – DS	43090	43092	43094	43096	43098
2	Moldboard Kit – PS	43091	43093	43095	43097	43099
3	Frame, Base Angle & Springs – DS	43120	43121		43122	
4	Frame, Base Angle & Springs – PS	43123	43124		43125	
5	Base Angle – DS	43126	43128		43130	
6	Base Angle – PS	43127	43129		43131	
7†	Cutting Edge Kit w/Fasteners (3/8)	44740-2	44741-2		–	
	Cutting Edge Kit w/Fasteners (1/2)	44742-2*	44743-2*		44744-2	
	Cutting Edge Kit w/Fasteners (5/8)	–	85361*		85362*	
8	Cutting Edge (3/8)	44896-1	44897		–	
	Cutting Edge (1/2)	44996-1*	44997*		44898	
	Cutting Edge (5/8)	–	85355*		85356*	
9	Center Cutting Edge Kit w/Fasteners	44894-1				
	Center Cutting Edge Kit w/Fasteners (5/8)	85357*				
10	Center Cutting Edge – DS	44891-1				
	Center Cutting Edge (5/8) – DS	85351*				
11	Center Cutting Edge – PS	44890-1				
	Center Cutting Edge (5/8) – PS	85352*				
12*	Back Drag Edge Kit	44281-4*	44282-3*		44283-4*	
13	Flexible Blade Guide Set – 26"	27195				
14	Center Snow Control Kit	43118-1				
15*	Blade Wing Extension Kit	–	43511			
16*	Blade Stop Kit	43082-1				
17*	Rubber Deflector Kit – 10"	41812-1				
ns	Rubber Deflector Kit – 18"	41813-1				
18	Moldboard Fasteners Kit	43289	43890	43289	43890	43289
19*	Shoe Kit	50700*				
20	Label – Warning/Caution, Snowplows	59900				
21	Label – Logo, STORM GUARD™ (MS only)	26211				
ns	Label – Logo, FISHER® Splatter 13-1/4 x 14-1/2	20238				
ns	Label – Logo, XV2	43224				
ns	Label Replacement Kit – V-Plows	42490				
MS = Mild Steel		SS = Stainless Steel			ns = not shown	

* Accessory only.

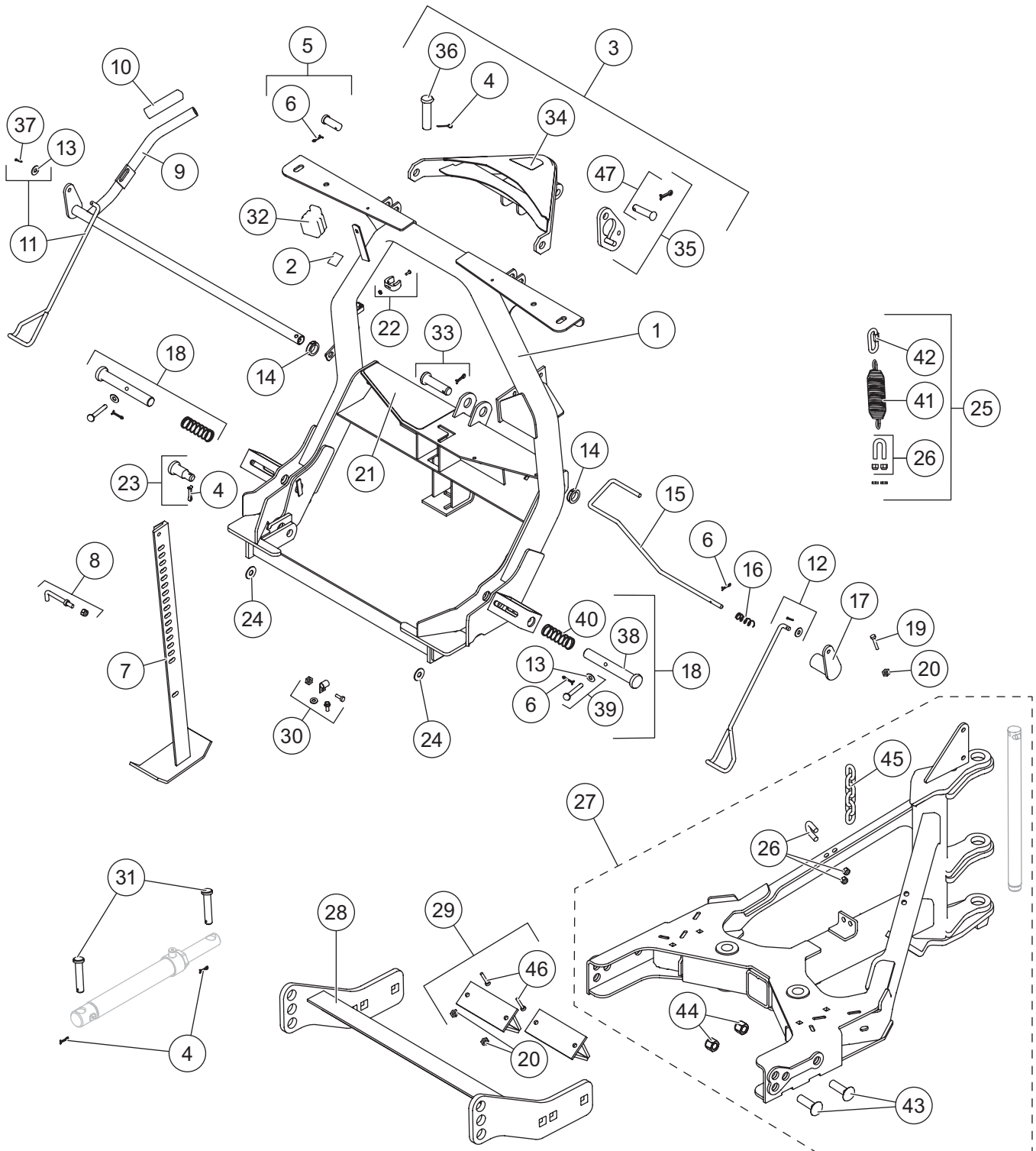
† Includes center cutting edge kit.

Springs and Fasteners											
Item	Part	Description	Qty			Item	Part	Description	Qty		
			7'6"	8'6"	9'6"				7'6"	8'6"	9'6"
22	49844	Pivot Pin	1	1	1	32	3/8-16 Hex Locknut G5	8	8	8	
23**		3/8-16 x 2 Hex Cap Screw G5	2	2	2	33	21452 Removable Spring Assembly	4	4	6	
24**		3/8-16 Hex Locknut GB	2	2	2	34	21450 Removable Spring Bar	4	4	6	
25		5/8-11 x 2 Carriage Bolt G5	14	14	14	35	20181 1/4 x 1-1/4 Pin	4	4	6	
26		5/8-11 Hex Locknut GB	14	14	14	36	20191 Removable Spring Disc	4	4	6	
27	27241	1 x 2-3/4 Clevis Pin w/Cotter	6	8	8	37	5323 Trip Spring	4	4	6	
28		1/4 x 1-3/4 Cotter Pin	8	8	8	38	40905 Shoulder Bolt w/Locknut	4	4	6	
29*	63927	5/8 Flat Washer	14	14	14	ns	44763 Bolt Bag – Cutting Edge Kits (one side – 5 sets of fasteners)	2	2	2	
30	98035	3/8-16 x 1 Button Cap Screw	8	8	8	ns	43620* Bolt Bag – Rubber Deflector	1	1	1	
31		3/8 Hardened Washer	8	8	8						
ns = not shown					G = Grade						

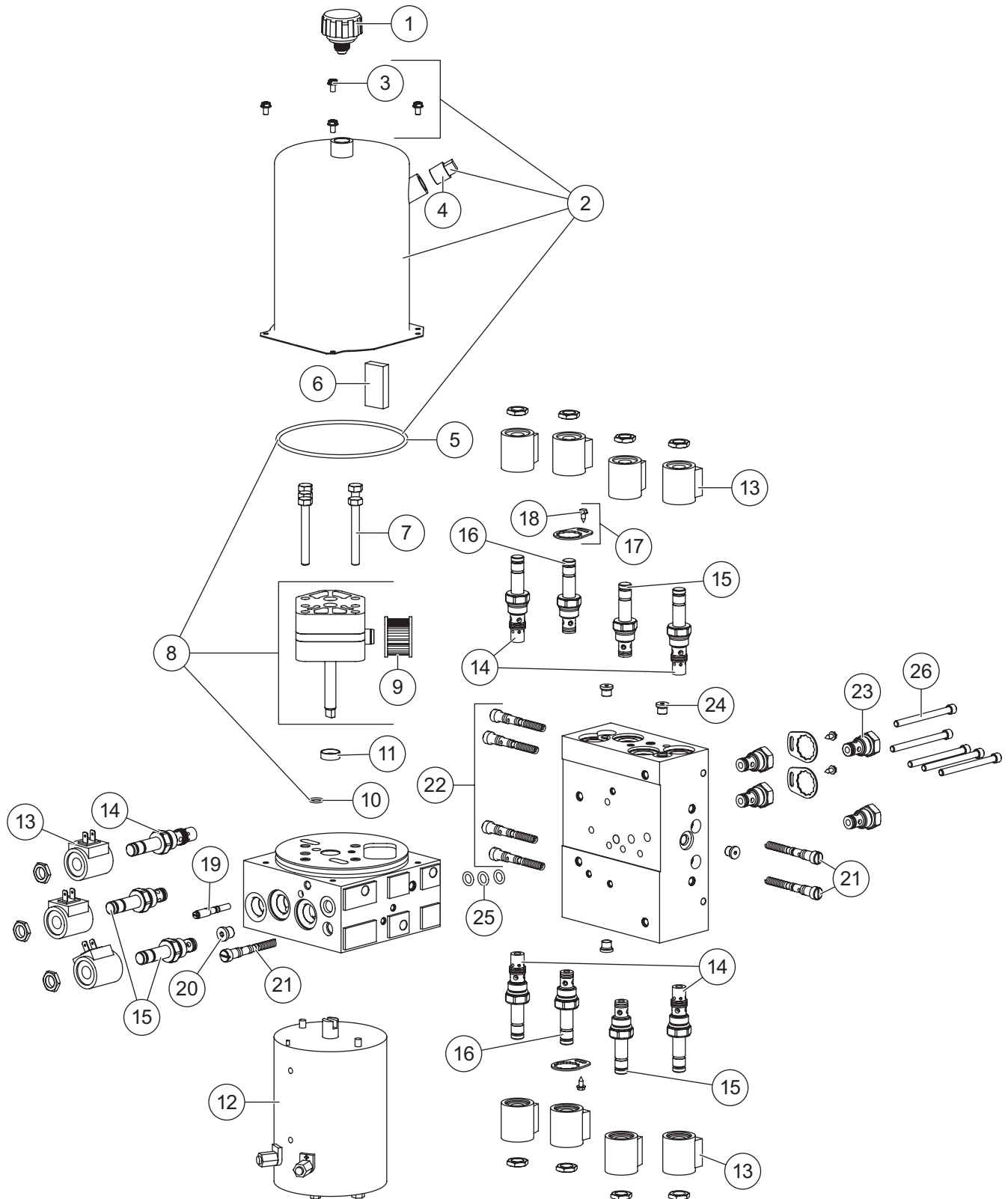
* Accessory only.

** Packed w/headgear.

Headgear and T-Frame Components



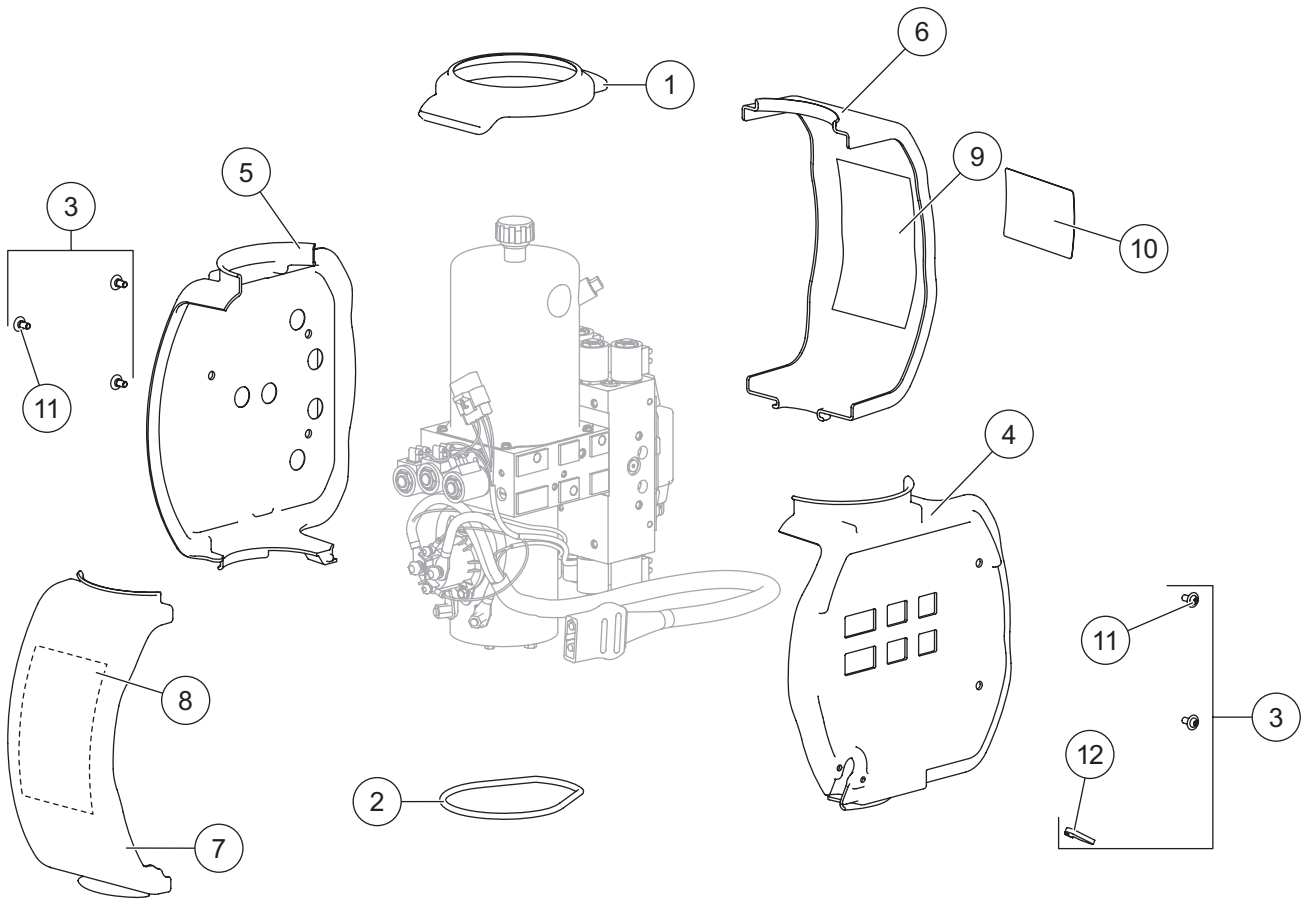
Hydraulic Unit Components



**86000-1, 86000-3, 86000-4, 86100-1(CH), 86100-3(CH), 86100-4(CH), 86200
86205-1, 86205-3, 86205-4, 86300, 87000-1, 87000-3, 87000-4, 87100, 87200, 87300**

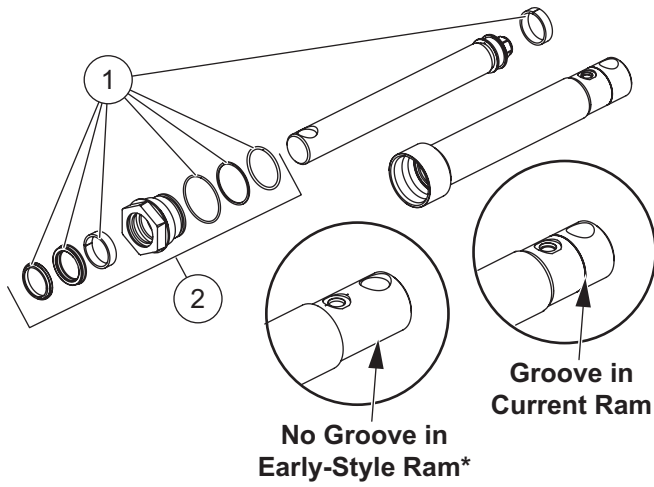
44330 XV2™ Hydraulic Unit (not applicable to central hydraulics)							
Item	Part	Qty	Description	Item	Part	Qty	Description
1	21727-2	1	Breather Pressure Control	17	44369	4	Valve Lock Ring w/Screw
2	44327-3	1	Reservoir Kit (incl. items 3–5)	18	63943	4	#8-18 x 3/8 Tapping Screw
3	66607	4	#10-24 x 5/16 Machine Screw	19	48517	1	Quill Assembly 1/2-20 Thread
4	92079	1	Plug, Square 3/8 NPTF	20	44344	1	Plug, Hex Socket –4 M ORB
5	66519	1	O-Ring 2-250	21	7629K-4	1-1/2	Relief Valve Kit (2 sets)
6	73897	1	Magnet	22	44337	2	Relief Valve Kit (2 sets)
7	90080	5	5/16-18 x 2-1/2 Hex Cap Screw G5	23	44333-1	4	Check Valve CV08-20
8	44329-2	1	Pump Kit (incl. items 5, 9, and 10)	24	92960	4	Plug, Hex Socket –3 M ORB
9	26781-4	1	Suction Filter	25	29077	3	O-Ring -110
10	56274	1	O-Ring -013	26	29081	5	1/4-20 x 3 Socket Cap Screw
11	66515	1	Pump Shaft Seal	ns	29099	2	1/4-20 x 1/4 Hex Washer-Head Thread-Rolling Screw
12	21500K-1	1	Motor Assembly 4-1/2	ns	44326	1	1/4-20 x 1/2 6-Lobe Round Washer-Head Screw (pkg of 5)
13	7639K-2	11	Coil w/Spade Terminals	ns	44355	2	1/4-20 x 5/8 Hex Washer-Head Thread-Rolling Screw
14	44331	5	Valve SVCV08-20 w/Nut				
15	7634K-2	4	Valve SV08-2004 w/Nut				
16	44335	2	Valve SF08-2015 w/Nut				
O-Ring Service Kits							
–	7632K-5	–	Back-Up/O-Ring Kit	–	49259-2	–	Seal Kit, Valves SV08-30, -31, -33, -40, -43, and SVCV08-20
–	49258-2	–	Seal Kit, Valves SV08-2004, CV08-20, SF08-2015				
ns = not shown			G = Grade			M = Male	

Hydraulic Unit Cover Assembly



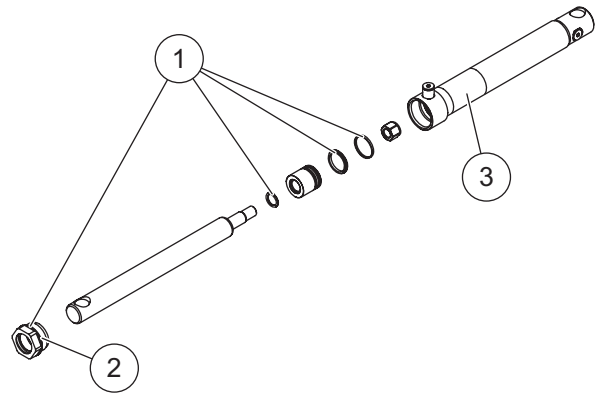
43867 Hydraulic Cover Assembly							
Item	Part	Qty	Description	Item	Part	Qty	Description
1	44352	1	Top Retainer Ring	6	44303	1	Cover, Side 3
2	44366	1	Bottom Retainer Ring	7	44304	1	Cover, Side 4
3	44326	1	1/4-20 x 1/2 6-Lobe Round Washer-Head Screw (pkg of 5) w/Cable Tie	8	44310	1	Label - Information (S1-S3)
4		1	Cover, Side 1	9	44319	1	Label - Information (S4-S11)
5		1	Cover, Side 2	10	43222	1	Label - Logo, Hydraulic Unit, XV2™
Item 3		44326 1/4-20 x 1/2 6-Lobe Round Washer-Head Screw (pkg of 5)					
11		5	1/4-20 x 1/2 6-Lobe Round Washer-Head Screw	12	59223	1	Cable Tie 8"
				ns	61536	1	Cable Tie 14"
ns = not shown							

Lift and Angle Ram Components



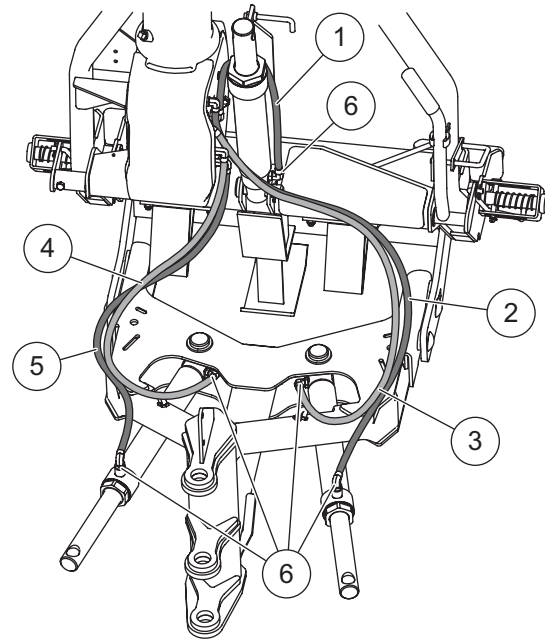
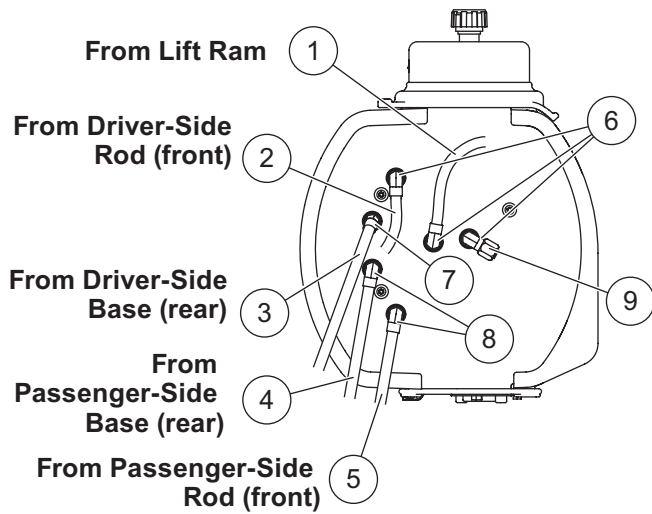
43132-1 Lift Ram Assembly 1-3/4 x 10			
Item	Part	Qty	Description
1	77924	1	Seal Kit
2	43135	1	Gland Nut Assembly

* Early-style lift rams are obsolete and should be replaced with current-style lift ram.



44340 Angle Ram Assembly 1-3/4 x 11 DA			
Item	Part	Qty	Description
1	44342	1	Seal Kit 1-3/4 DA Ram
2	48985	1	Gland Nut Assembly
3	48847	1	Label – Logo, InstaLock Double-Acting Cylinder

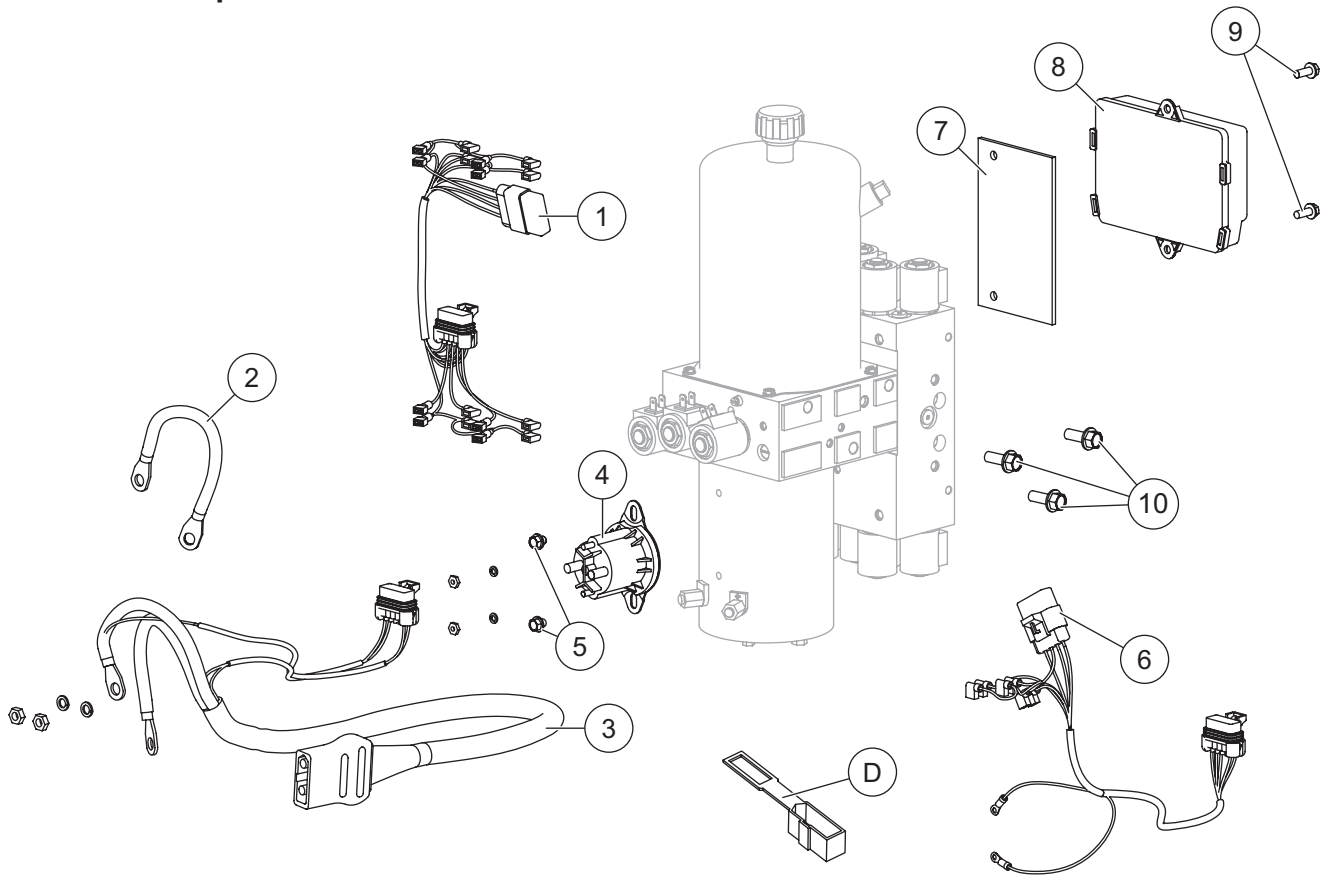
Hoses and Fittings



Hoses and Fittings							
Item	Part	Qty	Description	Item	Part	Qty	Description
1	56592	1	Hose, 1/4 x 16 w/F JIC Ends	7	56726	1	Elbow, 45° -6 M JIC/-6 M ORB
2	56591	1	Hose, 1/4 x 42 w/F JIC Ends	8	44361	2	Elbow, Extra Long 90° -6 M JIC/-6 M ORB
3	44348	1	Hose, 3/8 x 42 w/F JIC Ends	9	44345	1	Drain Cap, -6 F JIC
4	44315	1	Hose, 3/8 x 38 w/F JIC Ends	ns	56823	2	Hose Wrap, Polyethylene
5	56599	1	Hose, 1/4 x 36 w/F JIC Ends	ns	D6452	3	3/8-16 x 1 Button Cap Screw
6 [‡]	56725	8	Elbow, 90° -6 M JIC/-6 M ORB				
			F = Female			ns = not shown	
						M = Male	

[‡]Also used for central hydraulics, qty 5.

Electrical Components



Plow-Side Electrical Components						
Item	Part	Qty	Description	Item	Part	Qty Description
1	28583	1	Harness Plow Control, 8-Solenoid	8	44354-3	1 Plow Module
2	29071	1	Cable Assembly 8"	9	44355	2 1/4-20 x 5/8 Hex Washer-Head Thread-Rolling Screw
3	42015	1	Snowplow Battery Cable	10	72384-1	1 3/8-16 x 1 Serrated Flange Hex Cap Screw (pkg of 3)
4	42901	1	Motor Relay Kit FLEET FLEX System	ns	8329K	2 Dielectric Grease (pkg of 2)
5	29099	2	1/4-20 x 1/4 Hex Washer-Head Thread-Rolling Screw	ns		4 Fuse, 4A Mini Automotive-Style (for items 1 and 6)
6	28581-1	1	Harness Plow Control, 3-Solenoid			
7	44308	1	Spacer Module			
ns = not shown						

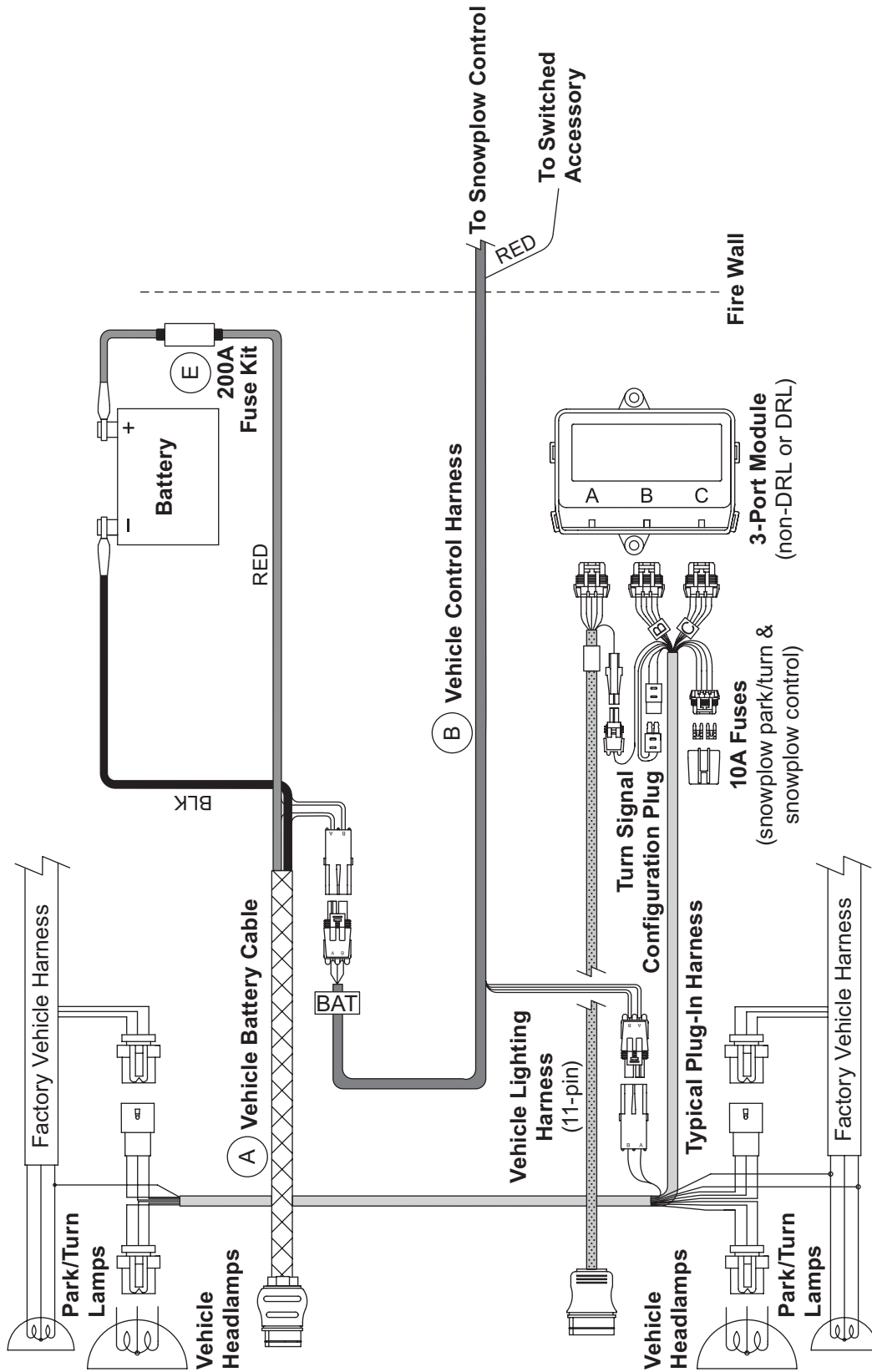
Vehicle-Side Electrical Components (diagrams on following pages)						
Item	Part	Qty	Description	Item	Part	Qty Description
A*†	72527	1	Vehicle Battery Cable	D	61548K	1 Plug Cover Kit (shown w/plow-side electrical components)
B*	28587	1	Vehicle Control Harness	E*§	90730	1 200A Fuse Kit
C§	26498	1	Vehicle Control Harness – Central Hydraulics			

* See Vehicle-Side Harness Diagram.

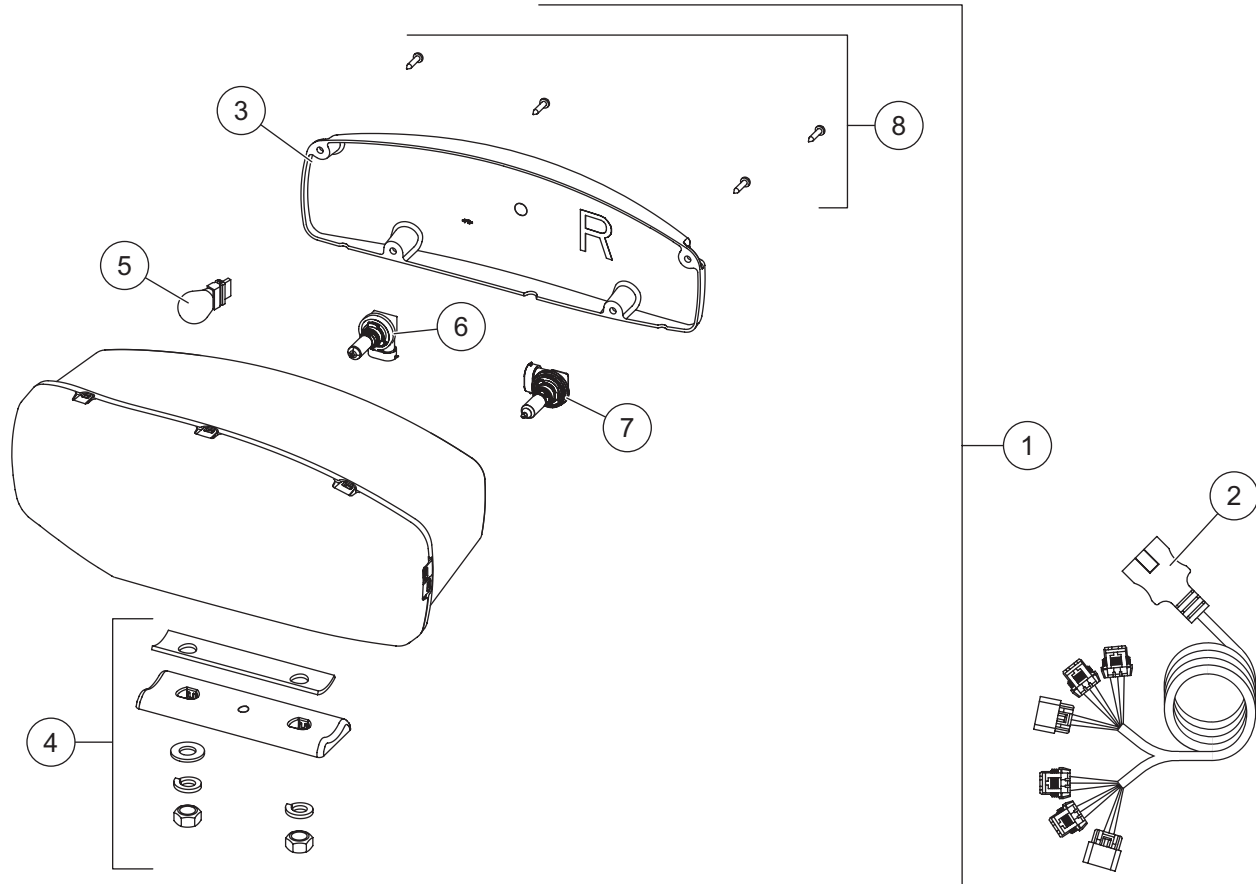
§ See Vehicle-Side Harness Diagram – Central Hydraulics.

† Not used for central hydraulics.

Vehicle-Side Harness Diagram



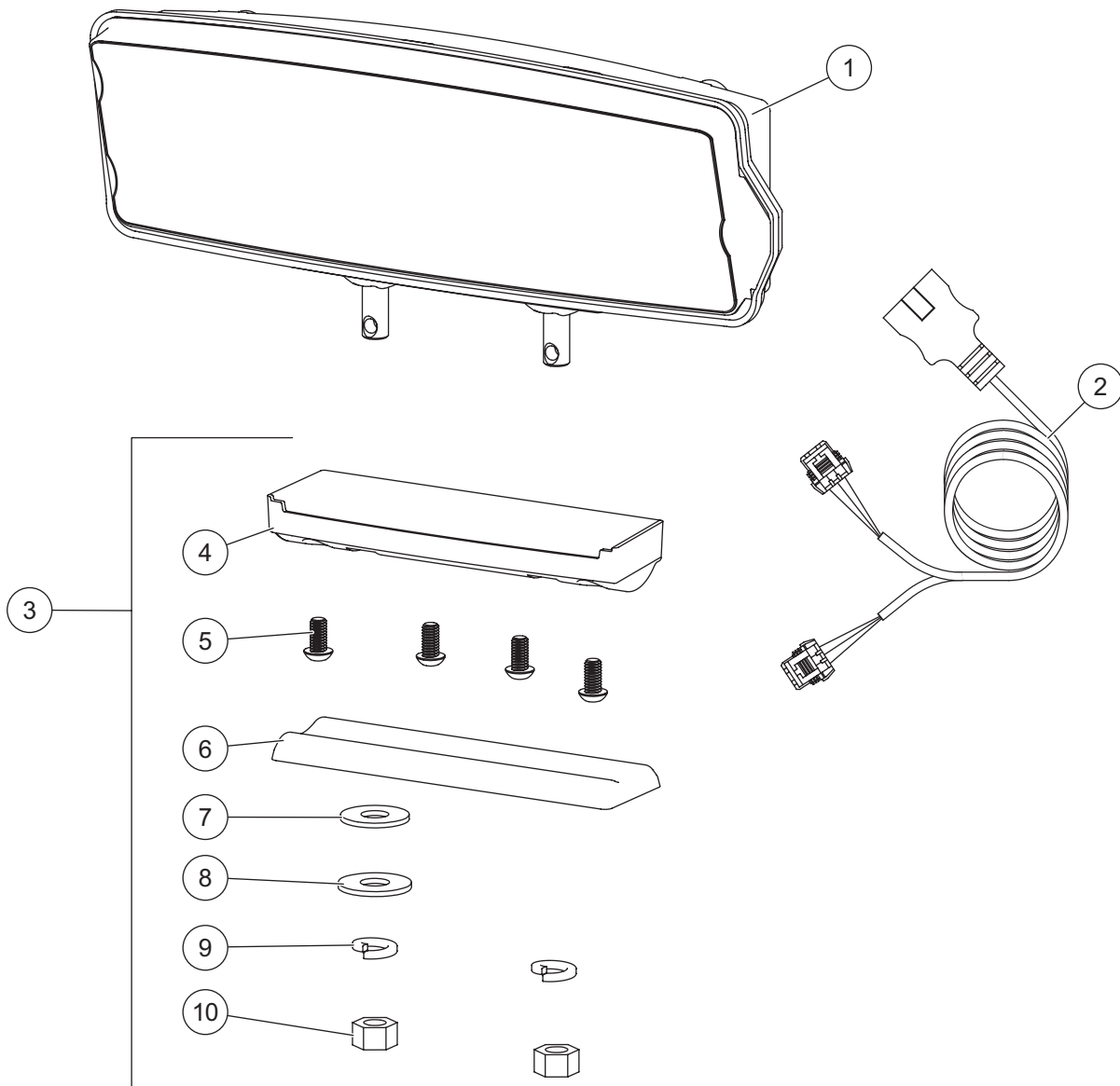
Headlamp Kit – Halogen



38800 Headlamp Kit H9/H11 (pair)							
Item	Part	Qty	Description	Item	Part	Qty	Description
1	38802	1	Headlamp Service Kit H9/H11 – PS	2	38807	1	Harness Service Kit H9/H11
ns	38801	1	Headlamp Service Kit H9/H11 – DS				
Item 1	38801/38802 Headlamp Service Kit H9/H11 – DS/PS						
3	38803	1	Rear Cover Kit H9/H11 – PS	6	38811	1	Headlamp Bulb Service Kit H11
ns	38812	1	Rear Cover Kit H9/H11 – DS	7	38809	1	Headlamp Bulb Service Kit H9
4	38804	1	Mounting Hardware Kit H9/H11	8	38808	1	Cover Screws Service Kit H9/H11 (pkg of 4)
5		1	Park/Turn Bulb (trade no. 4157NAK)				

ns = not shown

Headlamp Kit – LED



Headlamp Kit LED							
Item	Part	Qty	Description	Item	Part	Qty	Description
1	39901	1	Headlamp Service Kit LED – DS	3	39903	1	Mounting Hardware Kit LED
ns	39902	1	Headlamp Service Kit LED – PS	ns	72512	1	LED Harness Connector Cover (pkg of 2)
2	72548	1	Harness Service Kit LED				
Item 3				39903 Mounting Hardware Kit LED			
4		1	Plastic Casing	8		1	1/2 Flat Washer
5		4	1/4 Button Cap Screw	9		2	1/2 Lock Washer
6		1	Headlamp Swivel	10		2	1/2 Hex Nut
7		1	1/2 Rubber Washer	ns		1	Metal Insert
ns = not shown							

**86000-1, 86000-3, 86000-4, 86100-1(CH), 86100-3(CH), 86100-4(CH), 86200
86205-1, 86205-3, 86205-4, 86300, 87000-1, 87000-3, 87000-4, 87100, 87200, 87300**



Fisher Engineering
50 Gordon Drive
Rockland, ME 04841-2139
www.fisherplows.com

A DIVISION OF FISHER, LLC

Copyright © 2022 Douglas Dynamics, LLC. All rights reserved. This material may not be reproduced or copied, in whole or in part, in any printed, mechanical, electronic, film, or other distribution and storage media, without the written consent of Fisher Engineering. Authorization to photocopy items for internal or personal use by Fisher Engineering outlets or snowplow owner is granted.

Fisher Engineering reserves the right under its product improvement policy to change construction or design details and furnish equipment when so altered without reference to illustrations or specifications used. Fisher Engineering or the vehicle manufacturer may require or recommend optional equipment for snow removal. Do not exceed vehicle ratings with a snowplow. Fisher Engineering offers a limited warranty for all snowplows and accessories. See separately printed page for this important information. The following are registered (®) or unregistered (™) trademarks of Douglas Dynamics, LLC: FISHER®, Minute Mount® 2, SECURITY GUARD™, STORM GUARD™, XV2™.

Printed in U.S.A.