



**7'6", 8'6", and 9'6"  
MVP 3™ Snowplows**

**Mild Steel Blades 74475, 74485, 74495**

**Poly Blades 74585, 74595**

**Stainless Steel Blades 74675, 74685, 74695**

**Center Assembly 74300-1, 74300-3, 74300-4, 74400-1,  
74400-3, 74400-4, 74310-1(CH), 74310-3(CH), 74310-4(CH)**

**Parts List**



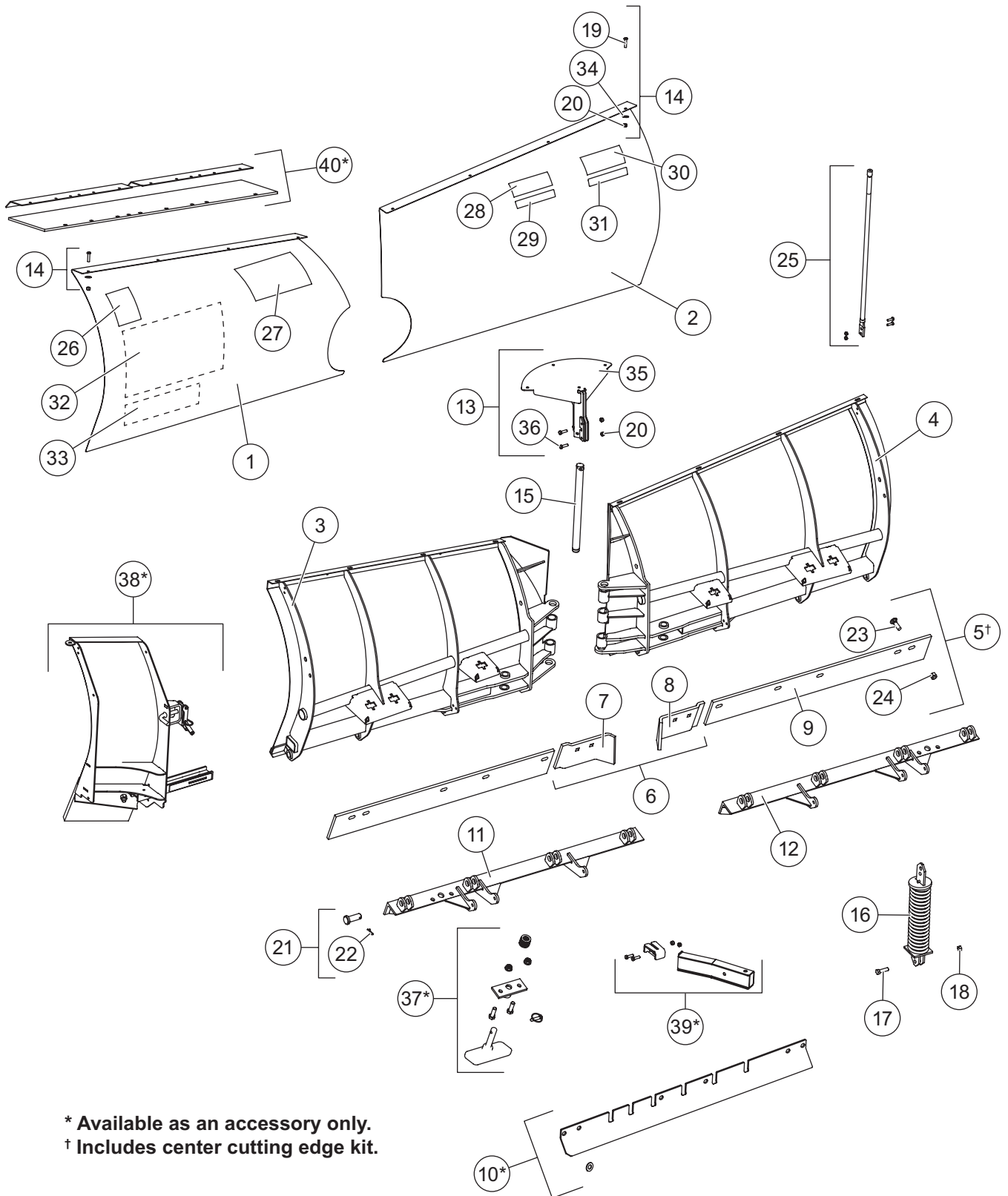


# TABLE OF CONTENTS

---

<b>MVP 3™ BLADE COMPONENTS</b> .....	4
<b>MVP 3 CENTER ASSEMBLY</b> .....	6
Lift Frame and T-Frame Components.....	6
Hydraulic Unit Components .....	8
Hydraulic Unit Cover Assembly .....	10
Lift and Angle Ram Components.....	11
Hoses and Fittings .....	12
Electrical Components.....	13
Vehicle-Side Wiring Diagram – 3-Port, 2-Plug System.....	14
Vehicle-Side Wiring Diagram – Central Hydraulics .....	15
Headlamp Kits.....	16–17

Blade Components – 9'6" Shown



\* Available as an accessory only.  
 † Includes center cutting edge kit.

# MVP 3™ BLADES 74475/74485/74495/74585/74595/74675/74685/74695

74475/74485/74495/74585/74595/74675/74685/74695 MVP 3 Blade									
Item Description		Part Number							
		7'6"		8'6"			9'6"		
		MS	SS	MS	SS	Poly	MS	SS	Poly
1	Moldboard Kit w/Fasteners & Labels – DS	43137	74402	43138	74403	43141	43139	74404	43142
2	Moldboard Kit w/Fasteners & Labels – PS	43158	74405	43159	74406	43162	43160	74407	43163
3	Frame, Base Angle & Spring Assembly – DS	43143		43144			43145		
4	Frame, Base Angle & Spring Assembly – PS	43146		43147			43148		
5†	Cutting Edge Kit (3/8)	44561-2		44564-2			–		
	Cutting Edge Kit (1/2)	44284-2*		44285-2*			44567-2		
	Cutting Edge Kit (5/8)	–		85358*			85359*		
6	Center Cutting Edge Kit	44894-1							
	Center Cutting Edge Kit (5/8)	85357*							
7	Center Cutting Edge – DS	44891-1							
	Center Cutting Edge (5/8) – DS	85351*							
8	Center Cutting Edge – PS	44890-1							
	Center Cutting Edge (5/8) – PS	85352*							
9	Cutting Edge (3/8) – One Side	44896-1		44897			–		
	Cutting Edge (1/2) – One Side	44996-1*		44997*			44898		
	Cutting Edge (5/8) – One Side	–		85355*			85356*		
10*	Back Drag Edge Kit	44281-3		44282-3			44283-4		
11	Base Angle – DS	43126		43128			43130		
12	Base Angle – PS	43127		43129			43131		
13	Center Snow Control Kit	43118-1							
14	Moldboard Fasteners Kit	43890							
MS = Mild Steel					SS = Stainless Steel				

\* Accessory only.

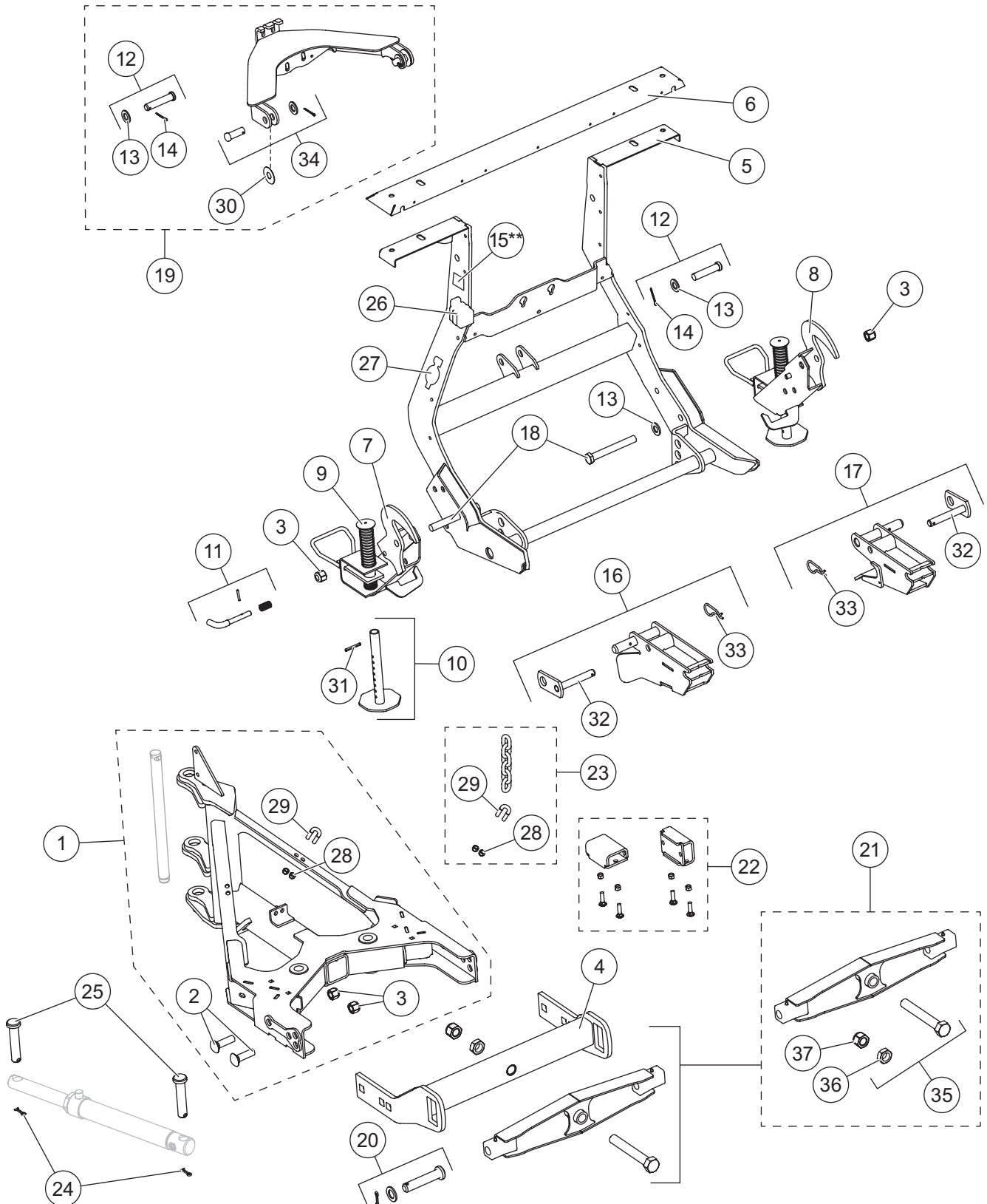
† Includes center cutting edge kit.

Blade Pins, Fasteners, Labels, and Springs							
Item	Part	Description	Item	Part	Description		
15	49844	Main Pivot Pin	28	41696	Label – Logo, MVP 3		
16	21452	Removable Spring Assembly	29		Label – Blade Size & Serial Number		
17	91000	7/16-14 x 1/2 x 1-5/8 Shoulder Bolt	30	44451	Label – Logo, WESTERN® 8.31"		
18	90353	7/16-14 Hex Locknut GB	31	28404	Label – Logo, ULTRAFINISH™ (MS)		
19		3/8-16 x 1 Button Cap Screw	32	40986	Label – Logo, CONTRACTOR GRADE®, Red (MS & poly moldboards)		
20		3/8-16 Hex Locknut GB		43899	Label – Logo, CONTRACTOR GRADE, Clear (SS moldboard)		
21	43745	1 x 2-3/4 Clevis Pin w/Cotter	33	94570	Label – Logo, MVP 3 (MS Moldboard)		
22		1/4 x 1-3/4 Cotter Pin		99795	Label – Logo, MVP 3 (SS Moldboard)		
23		5/8-11 x 2 Carriage Bolt G5	34		3/8 Hardened Washer		
24		5/8-11 Hex Locknut GB	ns	44763	Bolt Bag – Cutting Edge Kits (1 side, 5 sets of fasteners)		
25	62595	Poly Blade Guide Kit					
26	59900	Label – Warning/Caution, Snowplows					
27	43360	Label – Attach/Detach, UltraMount® 2					
<b>Item 13 43118-1 Center Snow Control Kit</b>							
20		3/8-16 Hex Locknut GB	36		3/8-16 x 2 Hex Cap Screw G5		
35		Center Deflector					
<b>Blade Accessories</b>							
37*	43088	Shoe Kit (set of 2)	40*	41810-1	Deflector Kit (universal) – 10"		
38*	43510-1	Blade Wing Extension Kit (8'6" & 9'6" blades)	ns	41811*	Deflector Kit (universal) – 18"		
39*	43082-1	Blade Stop Kit	ns	43087*	Label Kit – Complete Blade, MS & Poly		
ns	43620*	Bolt Bag – Rubber Deflector	ns	74414*	Label Kit – Complete Blade, SS		
MS = Mild Steel		SS = Stainless Steel		G = Grade		ns = not shown	

\* Accessory only.

# MVP 3™ CENTER ASSEMBLY 74300-1/74310-1(CH)/74400-1

## Lift Frame and T-Frame Components



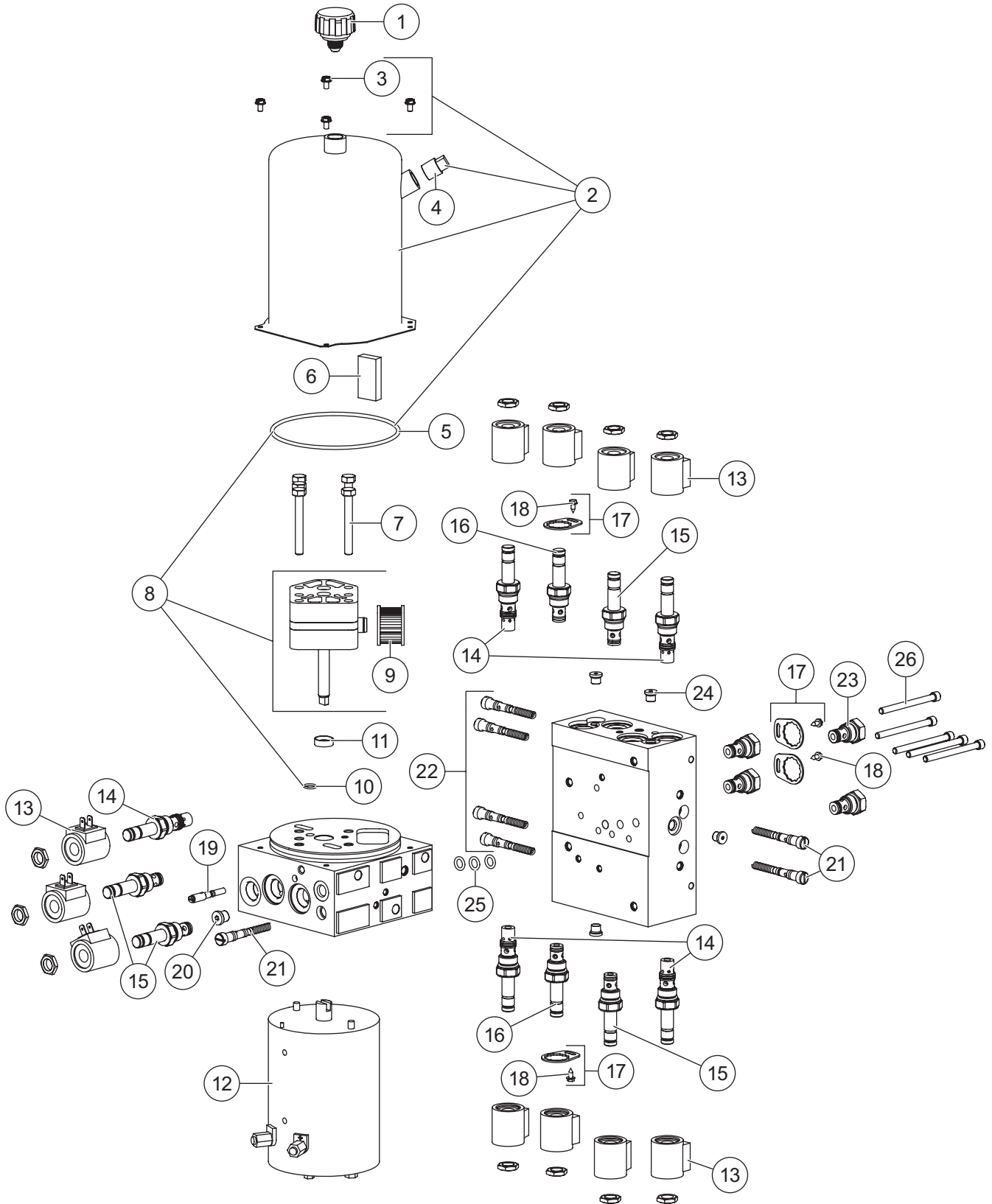
# MVP 3™ CENTER ASSEMBLY 74300-1/74310-1(CH)/74400-1

<b>MVP 3 Lift Frame and T-Frame Components</b>							
<b>Item</b>	<b>Part</b>	<b>Qty</b>	<b>Description</b>	<b>Item</b>	<b>Part</b>	<b>Qty</b>	<b>Description</b>
1	43116	1	T-Frame Service Kit	14	91911K	4	5/32 x 1-1/2 Cotter Pin
2	69820	4	3/4-10 x 2-1/8 Carriage Bolt	15**	69689	1	Label – Logo, SECURITY GUARD™
3	91338	6	3/4-10 Hex Locknut GB	16	76722	1	Receiver Kit – DS
4	44557-2	1	Pushbeam	17	76718	1	Receiver Kit – PS
5	78780	1	Lift Frame Service Kit	18	66451	2	3/4-10 x 6 Hex Cap Screw G5
6	43302	1	Light Channel, Red	19	43304	1	Lift Arm Kit
	74401	1	Light Channel, Silver	20	49645	2	1 x 4-3/4 Clevis Pin Kit
7	72618	1	Stand Assembly – DS (incl. item 9)	21	67842-1	1	Pivot Bar Kit
8	72617	1	Stand Assembly – PS (incl. item 9)	22	43153	1	Stacking Stop Kit
9	48523	2	Plunger w/Spring	23	49033	2	1/4 Grade 43 Chain Assembly
10	67847	2	Stand Shoe Kit	24	90601	4	1/4 x 1-1/2 Cotter Pin
11	67844	2	Stand Lock Pin Kit	25	22260	4	1 x 4-3/4 Clevis Pin
12	68740	1	3/4 x 3-1/2 Clevis Pin Kit	26	61246	1	Cable Boot
13	91147	6	3/4 Flat Washer	27	43358	2	Label – Logo, UltraMount® 2
<b>Item 1 43116 T-Frame Service Kit</b>							
		1	T-Frame	3	91338	4	3/4-10 Hex Locknut GB
	49844	1	Pivot Pin (shown w/blade components)	28	91333	4	3/8-16 Hex Locknut GB
2	69820	4	3/4-10 x 2-1/8 Carriage Bolt	29	90453	2	3/8-16 x 1-1/2 U-Bolt G5
<b>Item 5 78780 Lift Frame Service Kit</b>							
		1	Lift Frame	27	43358	2	Label – Logo, UltraMount 2
15**	69689	1	Label – Logo, SECURITY GUARD	30		2	UHMW Round Flat Washer, Special
<b>Item 10 67847 Stand Shoe Kit</b>							
		1	Stand Shoe	31	67635	1	1/4 x 2 Roll Pin BP
<b>Item 12 68740 3/4 x 3-1/2 Clevis Pin Kit</b>							
		1	3/4 x 3-1/2 Clevis Pin	14	91911K	1	5/32 x 1-1/2 Cotter Pin
13	91147	1	3/4 Flat Washer				
<b>Item 16 76722 Receiver Kit – DS</b>							
		1	Receiver – DS	33	91965K-1	1	5/32 Hairpin Cotter
32	42498	1	Receiver Pin				
<b>Item 17 76718 Receiver Kit – PS</b>							
		1	Receiver – PS	33	91965K-1	1	5/32 Hairpin Cotter
32	42498	1	Receiver Pin				
<b>Item 19 43304 Lift Arm Kit</b>							
		1	Lift Arm	30		2	UHMW Round Flat Washer, Special
12	68740	1	3/4 x 3-1/2 Clevis Pin Kit	34	43351	2	3/4 x 2 Clevis Pin Kit
<b>Item 21 67842-1 Pivot Bar Kit</b>							
		1	Pivot Bar	35	67855	1	Pivot Bolt Kit
<b>Item 23 49033 1/4 Grade 43 Chain Assembly (2 per snowplow)</b>							
		1	1/4 x 42 Grade 43 Chain	29	90453	1	3/8-16 x 1-1/2 U-Bolt G5
28	91333	2	3/8-16 Hex Locknut GB	ns		1	Plastic Tube
<b>Item 35 67855 Pivot Bolt Kit</b>							
		1	1-8 x 7 Hex Cap Screw G5	37		1	1-8 Hex Locknut GB
36		1	1-8 Hex Jam Nut G5				
ns = not shown				G = Grade			

\*\* Not used for central hydraulics.

# MVP 3™ CENTER ASSEMBLY 74300-1/74400-1/74400-3/74400-4

## Hydraulic Unit Components





# MVP 3™ CENTER ASSEMBLY 74300-1/74400-1/74400-3/74400-4

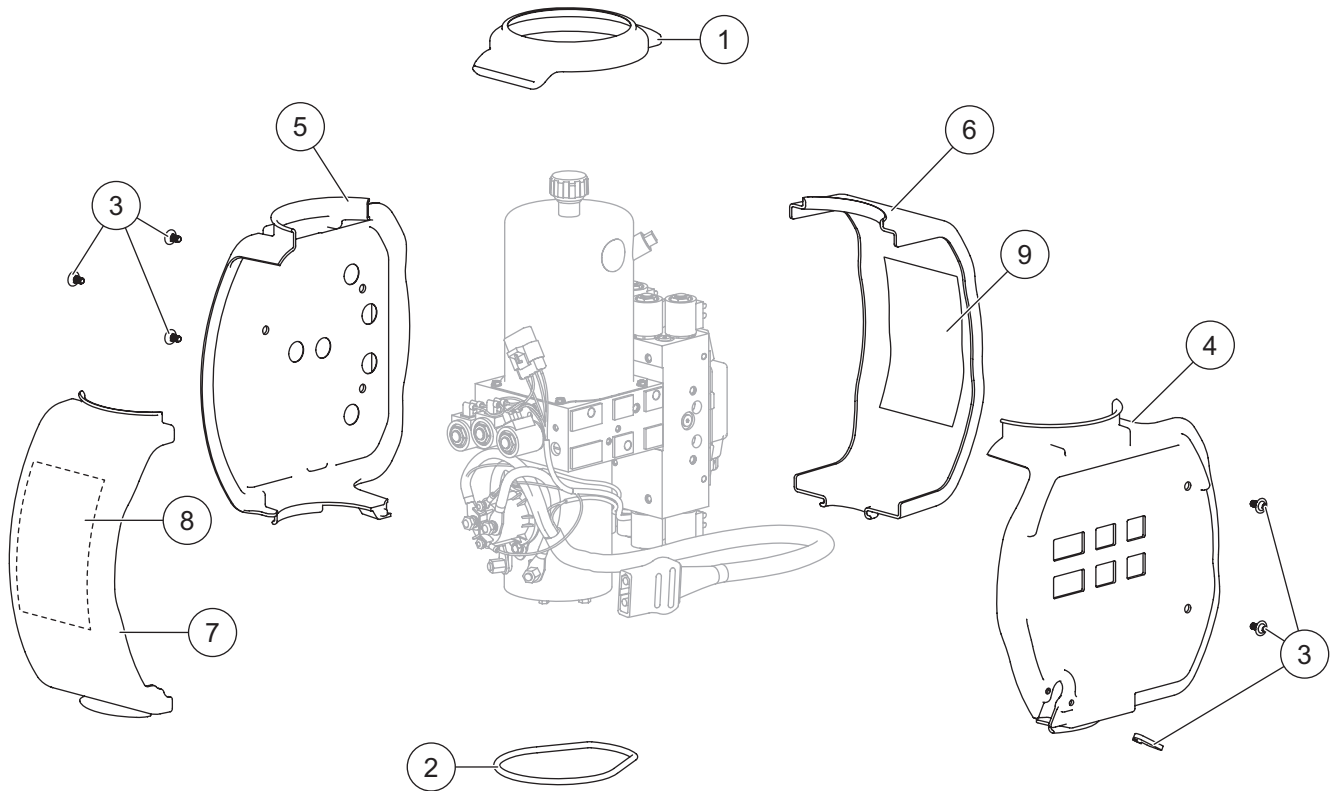
<b>44320 Hydraulic Unit</b> <b>48257† Hydraulic Unit Service Kit</b> (not used for central hydraulics)							
Item	Part	Qty	Description	Item	Part	Qty	Description
1	21727-2K	1	Breather Pressure Control	17	44369	4	Valve Lock Ring w/Screw
2	44327-3	1	Reservoir Kit	18	63943	4	#8-18 x 3/8 Tapping Screw
3	66607	4	#10-24 x 5/16 Machine Screw	19	48517	1	Quill Assembly, 1/2-20 Thread
4	92079	1	Plug, Square 3/8 NPTF	20	44344	1	Plug, Hex Socket –4 M ORB
5	66519	1	O-Ring 2-250	21	49138K-5	1-1/2	Relief Valve Kit (2 sets)
6	73897	1	Magnet	22	44338	2	Relief Valve Kit (2 sets)
7	90080	5	5/16-18 x 2-1/2 Hex Cap Screw G5	23	44334-1	4	Check Valve CV08-20
8	44328-2	1	Pump Kit	24	92960	4	Plug, Hex Socket –3 M ORB
9	56789-5	1	Suction Filter	25	29077	3	O-Ring -110
10	56274	1	O-Ring -013	26	29081	5	1/4-20 x 3 Socket Cap Screw
11	66515	1	Pump Shaft Seal	ns	29099	2	1/4-20 x 1/4 Hex Washer-Head Thread-Rolling Screw
12	21500-1	1	Motor Assembly, 4-1/2"	ns	44326	1	1/4-20 x 1/2 6-Lobe Round Washer-Head Screw (pkg of 5)
13	49230K-2	11	Coil w/Spade Terminals	ns	44355	2	1/4-20 x 5/8 Hex Washer-Head Thread-Rolling Screw
14	44332	5	Valve SVCV08-20 w/Nut				
15	49227K-2	4	Valve SV08-2004 w/Nut				
16	44336	2	Valve SF08-2015 w/Nut				
O-Ring Service Kits							
–	56657-6‡	–	Back-Up/O-Ring Kit	–	49259-2	–	Seal Kit – Valves SV08-30, -31, -33, -40, -43, and SVCV08-20
–	49258-2	–	Seal Kit – Valves SV08-2004, CV08-20, SF08-2015				
ns = not shown		M = Male		G = Grade			

† Includes 44320 hydraulic unit, 44325 cover assembly (p. 10), and plow-side electrical components (p. 12).

‡ Does not contain O-rings for cartridge valves.

# MVP 3™ CENTER ASSEMBLY 74300-1/74400-1/74400-3/74400-4

## Hydraulic Unit Cover Assembly

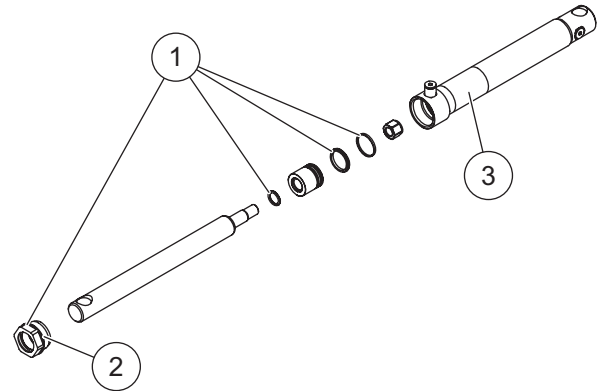
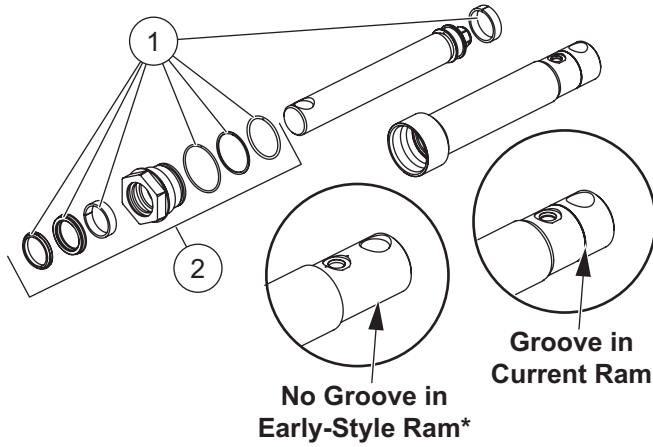


48175 Cover Assembly							
Item	Part	Qty	Description	Item	Part	Qty	Description
1	44352	1	Top Retainer Ring	6	44303	1	Cover, Side 3
2	44366	1	Bottom Retainer Ring	7	44304	1	Cover, Side 4
3	44326	1	1/4-20 x 1/2 6-Lobe Round Washer-Head Screw (pkg of 5) w/8" Cable Tie	8	44310	1	Label – Information (S1–S3)
4		1	Cover, Side 1	9	44319	1	Label – Information (S4–S11)
5		1	Cover, Side 2	ns	61536	1	Cable Tie 14"
				ns	43223	1	Label – Logo, Hydraulic Unit, MVP 3

ns = not shown

**MVP 3™ CENTER ASSY 74300-1/74300-3/74300-4  
74310-1(CH)/74400-1/74400-3/74400-4**

**Lift and Angle Ram Components**



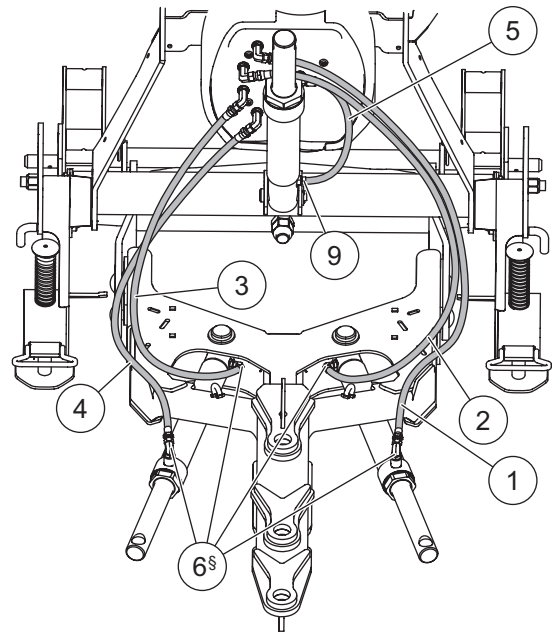
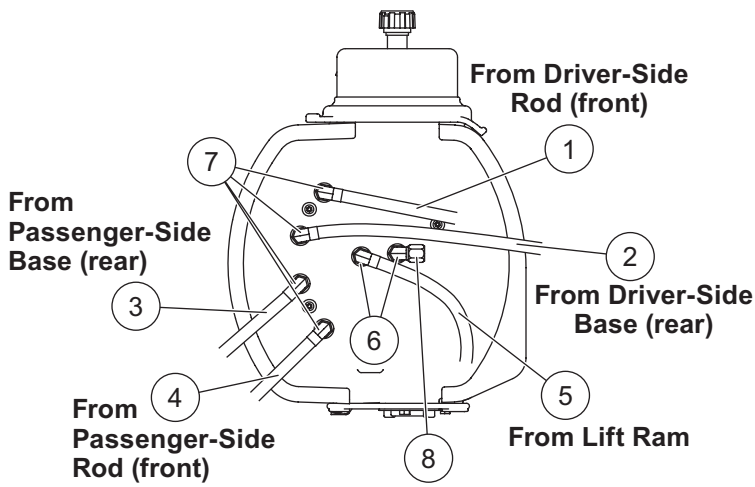
<b>43149-1 Lift Ram Assembly 1-3/4 x 8</b>			
Item	Part	Qty	Description
1	77924	1	Seal Kit
2	43135	1	Gland Nut Assembly

<b>44341 Angle Ram Assembly 1-3/4 x 11 DA</b>			
Item	Part	Qty	Description
1	44342	1	Seal Kit 1-3/4 DA Ram
2	48985	1	Gland Nut Assembly
3	68675	1	Label – Logo, UltraLock Double-Acting Cylinder

\* Early-style lift rams are obsolete and should be replaced with current-style lift ram.

# MVP 3™ CENTER ASSY 74300-1/74300-3/74300-4/74310-1(CH)/74400-1

## Hoses and Fittings

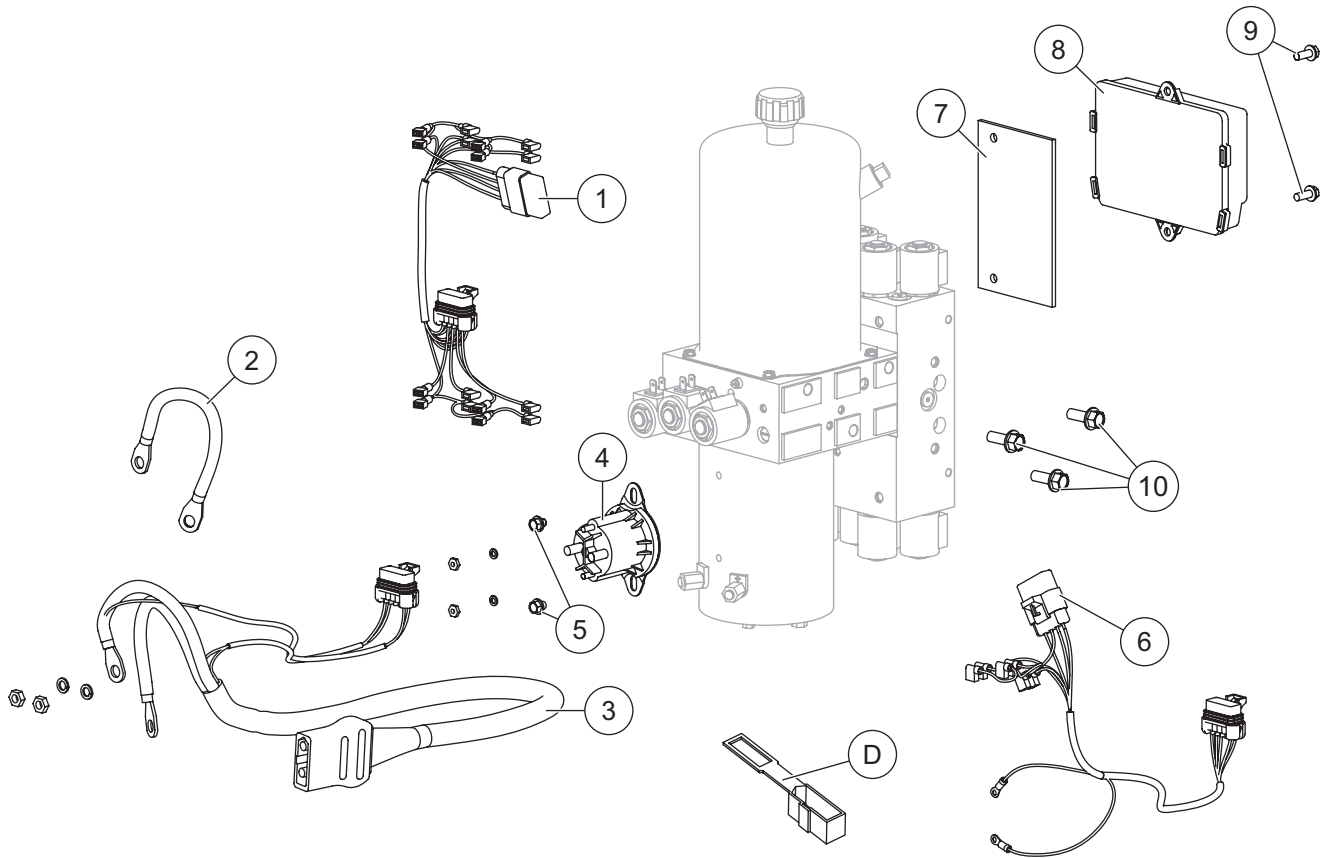


Hoses and Fittings							
Item	Part	Qty	Description	Item	Part	Qty	Description
1	56616-1	1	Hose, 1/4 x 42 w/F JIC Ends	7	64212-1	4	Elbow, Extra Long 90° -6 M JIC/-6 M ORB
2	44350	1	Hose, 3/8 x 45 w/F JIC Ends	8	44346	1	Drain Cap, -6 F JIC
3	44351	1	Hose, 3/8 x 38 w/F JIC Ends	9	43750	1	Connector, Short -6 M JIC/-6 M ORB
4	56599	1	Hose, 1/4 x 36 w/F JIC Ends	ns	56823	2	Hose Wrap, Polyethylene
5	41094	1	Hose, 1/4 x 18 w/F JIC Ends	ns	D6452	3	3/8-16 x 1 Button Cap Screw
6 <sup>§</sup>	56615-1	6	Elbow, 90° -6 M JIC/-6 M ORB				
			F = Female			ns = not shown	M = Male

<sup>§</sup> Also used for central hydraulics, qty 5.

# MVP 3™ CENTER ASSY 74300-1/74300-3/74300-4/74310-1(CH)/74400-1

## Electrical Components



Plow-Side Electrical Components							
Item	Part	Qty	Description	Item	Part	Qty	Description
1	28583	1	Harness Plow Control, 8-Solenoid	8	44354-3	1	Plow Module
2	29071	1	Cable Assembly 8"	9	44355	2	1/4-20 x 5/8 Hex Washer-Head Thread-Rolling Screw
3	42015	1	Snowplow Battery Cable	10	72384-1	1	3/8-16 x 1 Serrated Flange Hex Cap Screw (pkg of 3)
4	42902	1	Motor Relay Kit FLEET FLEX System	ns	8329K	2	Dielectric Grease (pkg of 2)
5	29099	2	1/4-20 x 1/4 Hex Washer-Head Thread-Rolling Screw	ns		4	Fuse, 4A Mini Automotive-Style (for items 1 and 6)
6	28581-1	1	Harness Plow Control, 3-Solenoid				
7	44308	1	Spacer Module				

ns = not shown

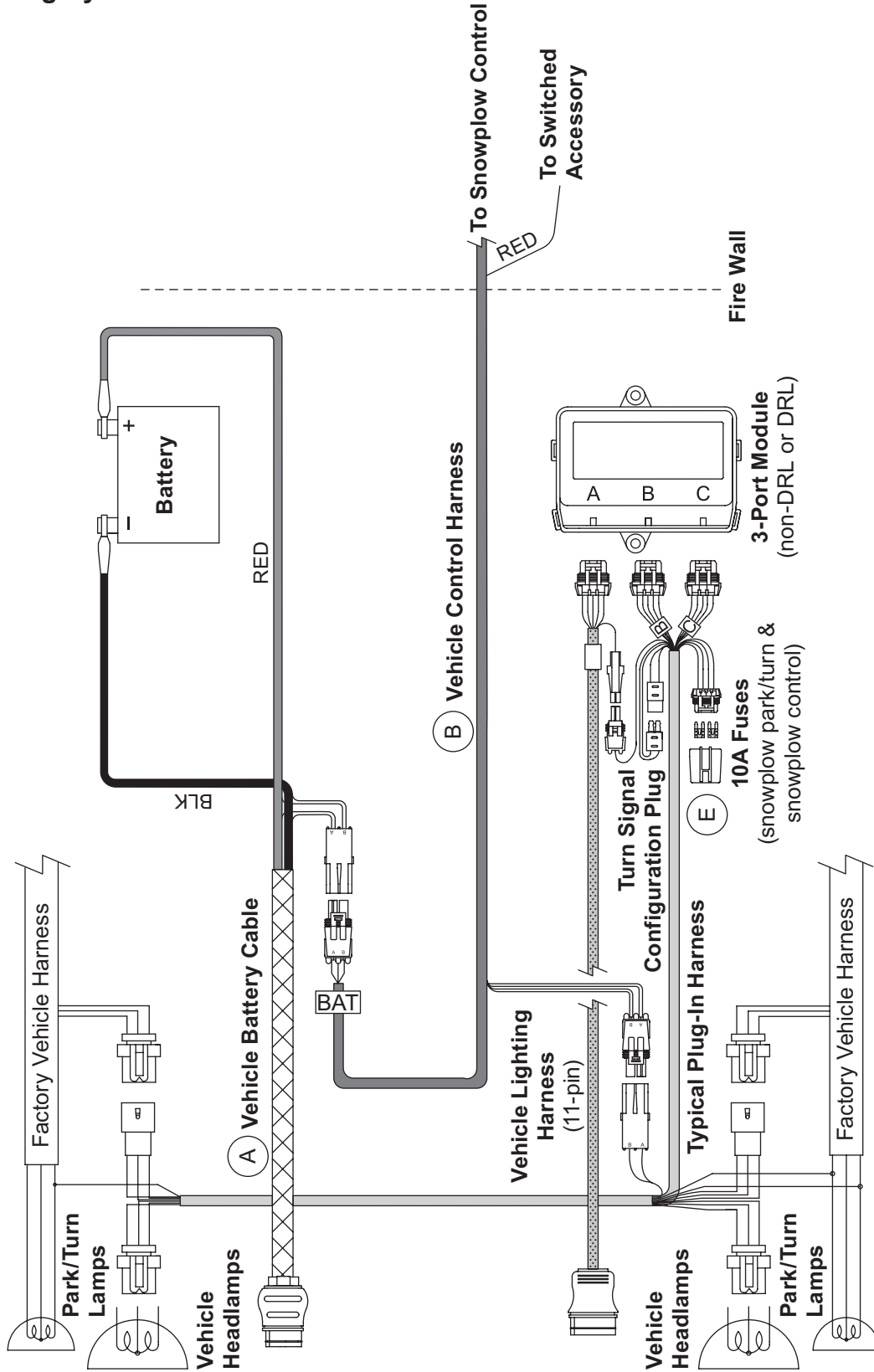
Vehicle-Side Electrical Components (diagrams on following pages)							
Item	Part	Qty	Description	Item	Part	Qty	Description
A†	72527	1	Vehicle Battery Cable	D	61548K	1	Plug Cover Kit (shown w/plow-side electrical components)
B*	28587	1	Vehicle Control Harness	E	29998	1	Fuse Cover (pkg of 5)
C**	26498	1	Vehicle Control Harness – Central Hydraulics				

\* See Vehicle-Side Harness Diagram – 3-Port, 2-Plug System.

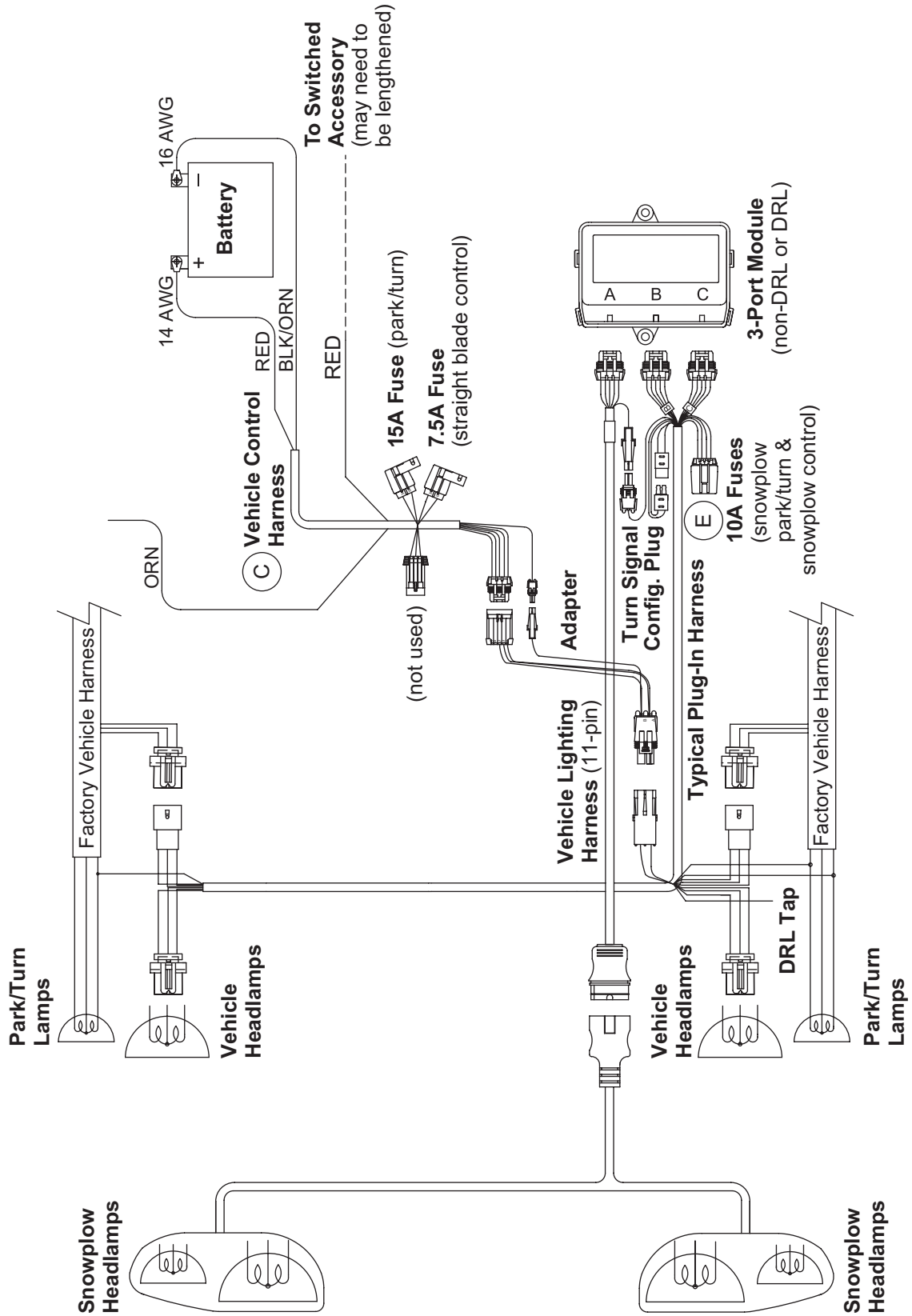
\*\* See Vehicle-Side Harness Diagram – Central Hydraulics.

† Not used for central hydraulics.

Vehicle-Side Harness Diagram  
3-Port, 2-Plug System

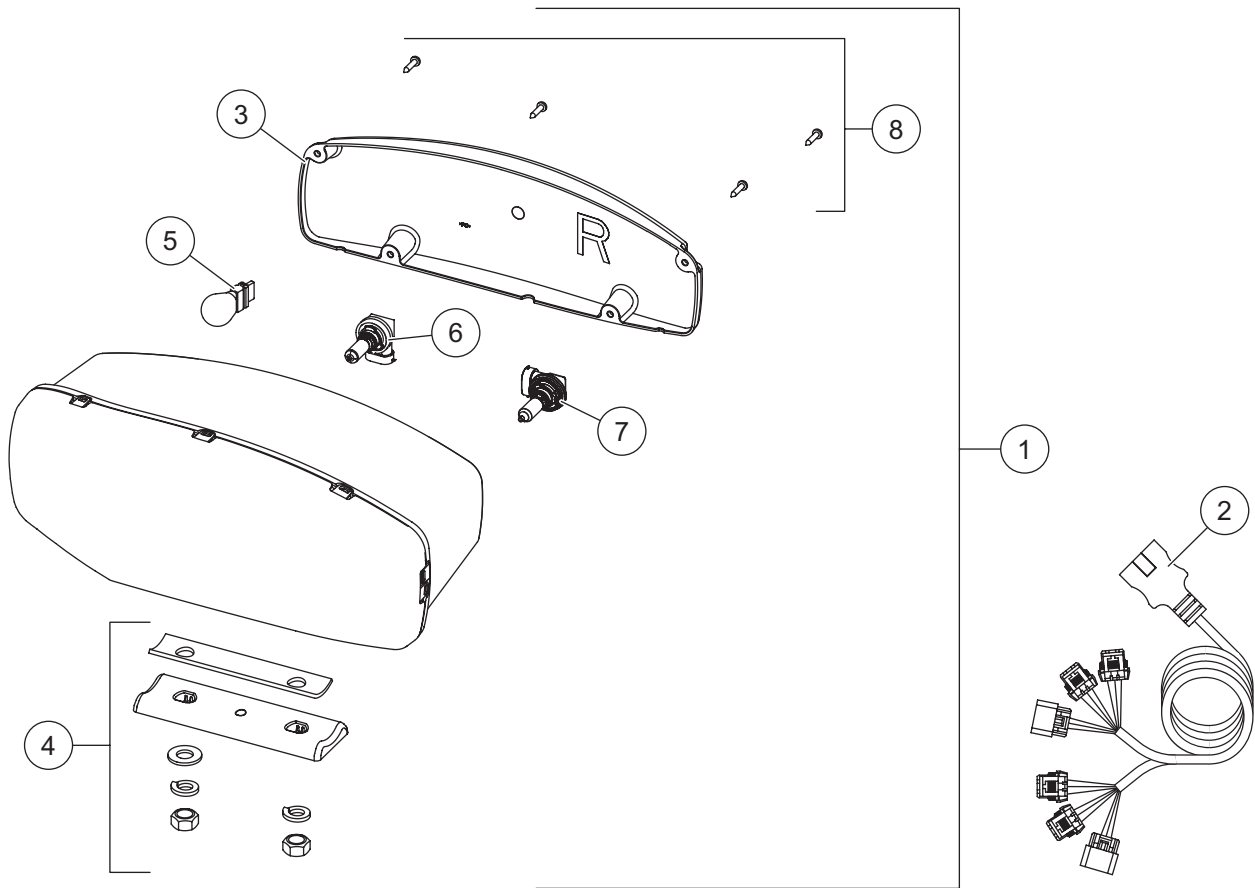


Vehicle-Side Harness Diagram – Central Hydraulics



# MVP 3™ CENTER ASSEMBLY 74300-1/74310-1(CH)/74400-1/74400-3/74400-4

## Headlamp Kit – Halogen

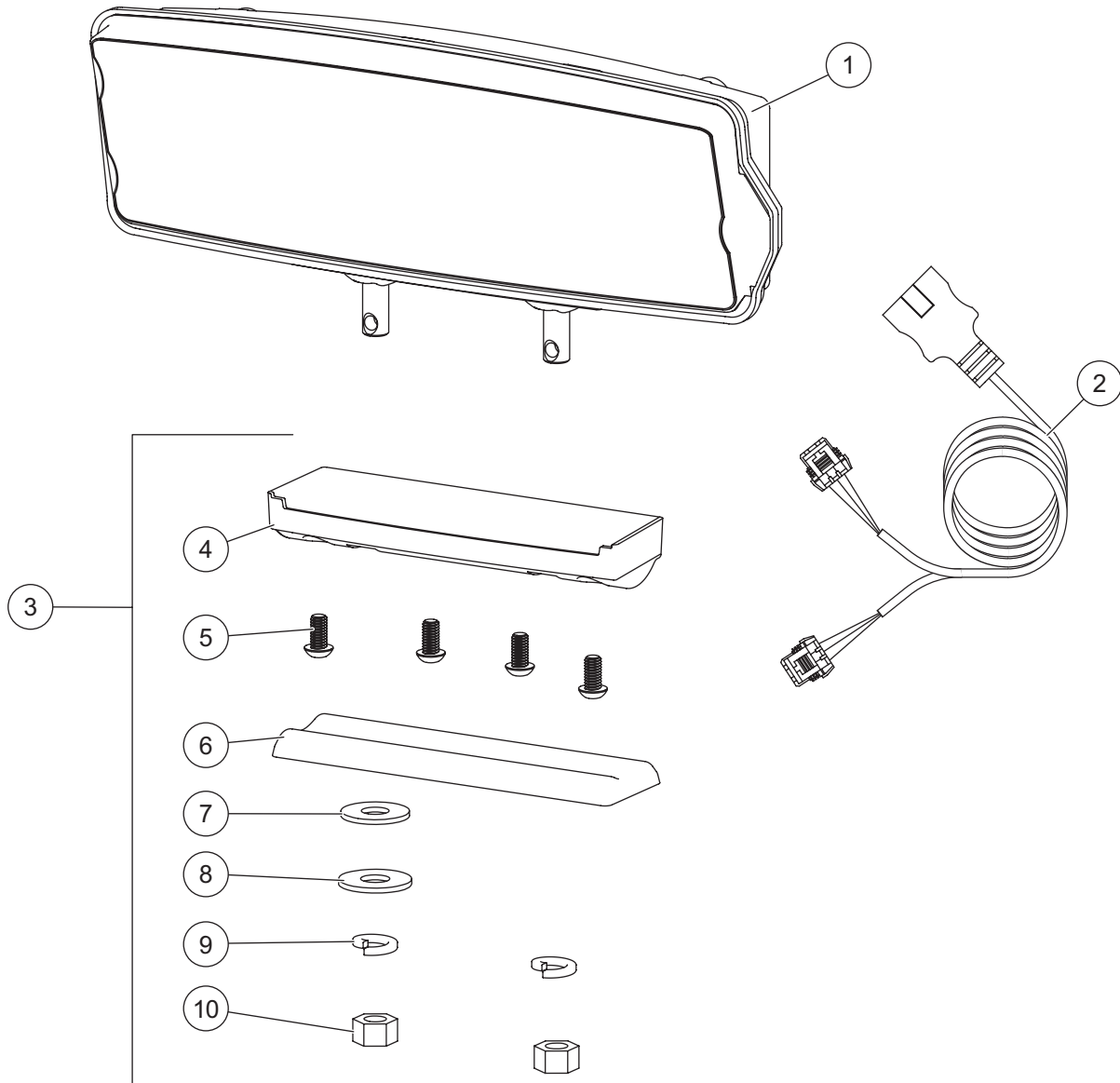


38800 Headlamp Kit H9/H11 (pair)							
Item	Part	Qty	Description	Item	Part	Qty	Description
1	38802	1	Headlamp Service Kit H9/H11 – PS	2	38807	1	Harness Service Kit H9/H11
ns	38801	1	Headlamp Service Kit H9/H11 – DS				
<b>Item 1</b>	<b>38801/38802 Headlamp Service Kit H9/H11 – PS/DS</b>						
3	38803	1	Rear Cover Kit H9/H11 – PS	6	38811	1	Headlamp Bulb Service Kit H11
ns	38812	1	Rear Cover Kit H9/H11 – DS	7	38809	1	Headlamp Bulb Service Kit H9
4	38804	1	Mounting Hardware Kit H9/H11	8	38808	1	Cover Screws Service Kit H9/H11 (pkg of 4)
5		1	Park/Turn Bulb (trade no. 4157NAK)				

ns = not shown



**Headlamp Kit – LED**



Headlamp Kit LED							
Item	Part	Qty	Description	Item	Part	Qty	Description
1	39901	1	Headlamp Service Kit LED – DS	3	39903	1	Mounting Hardware Kit LED
ns	39902	1	Headlamp Service Kit LED – PS	ns	72512	1	LED Harness Connector Cover (pkg of 2)
2	72548	1	Harness Service Kit LED	<b>Item 3 39903 Mounting Hardware Kit LED</b>			
4		1	Plastic Casing	8		1	1/2 Flat Washer
5		4	1/4 Button Cap Screw	9		2	1/2 Lock Washer
6		1	Headlamp Swivel	10		2	1/2 Hex Nut
7		1	1/2 Rubber Washer	ns		1	Metal Insert

ns = not shown



Western Products  
PO Box 245038  
Milwaukee, WI 53224-9538  
[www.westernplows.com](http://www.westernplows.com)

 A DIVISION OF DOUGLAS DYNAMICS, LLC

Copyright © 2022 Douglas Dynamics, LLC. All rights reserved. This material may not be reproduced or copied, in whole or in part, in any printed, mechanical, electronic, film, or other distribution and storage media, without the written consent of Western Products. Authorization to photocopy items for internal or personal use by Western Products outlets or snowplow owner is granted.

Western Products reserves the right under its product improvement policy to change construction or design details and furnish equipment when so altered without reference to illustrations or specifications used. Western Products or the vehicle manufacturer may require or recommend optional equipment for snow removal. Do not exceed vehicle ratings with a snowplow. Western Products offers a limited warranty for all snowplows and accessories. See separately printed page for this important information. The following are registered (®) or unregistered (™) trademarks of Douglas Dynamics, LLC: CONTRACTOR GRADE®, MVP 3™, SECURITY GUARD™, ULTRAFINISH™, UltraMount® 2, WESTERN®.

**Printed in U.S.A.**