



7600, 8000

Regular Duty Snowplow

Blade Assembly 77710, 77715

Big Box Assembly 77810-1, 77810-3

Parts List

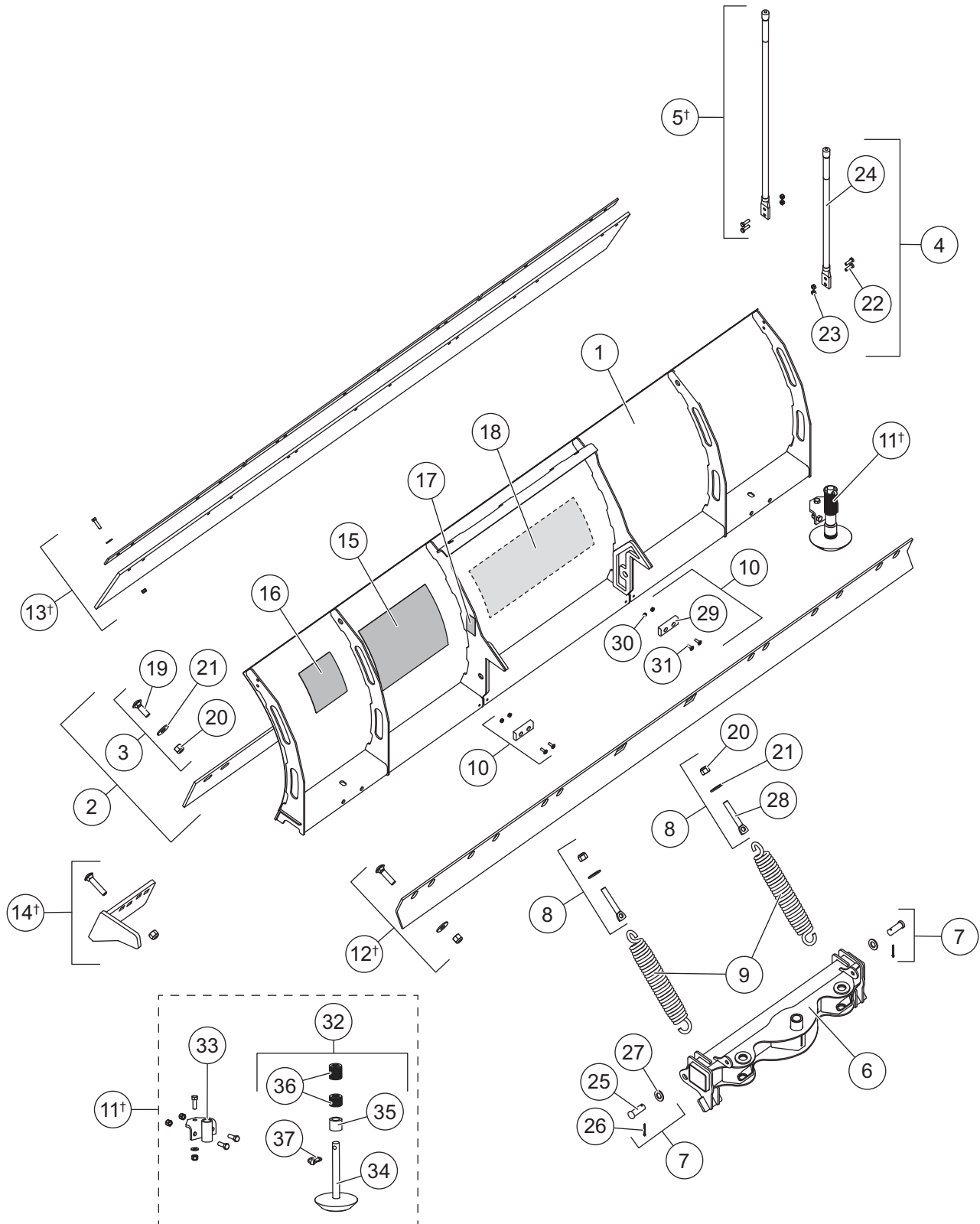


TABLE OF CONTENTS

REGULAR DUTY BLADE ASSEMBLY	4
A-FRAME AND HEADGEAR ASSEMBLY	6
A-Frame Components	6
Headgear Components.....	8
HYDRAULIC AND ELECTRICAL COMPONENTS	10
Hydraulic Unit Components	10
Lift and Angle Rams	12
Hoses and Fittings	13
Electrical Components.....	14
VEHICLE-SIDE HARNESS DIAGRAM	15
HEADLAMP KITS	16–17

REGULAR DUTY BLADE ASSEMBLY

Blade Components



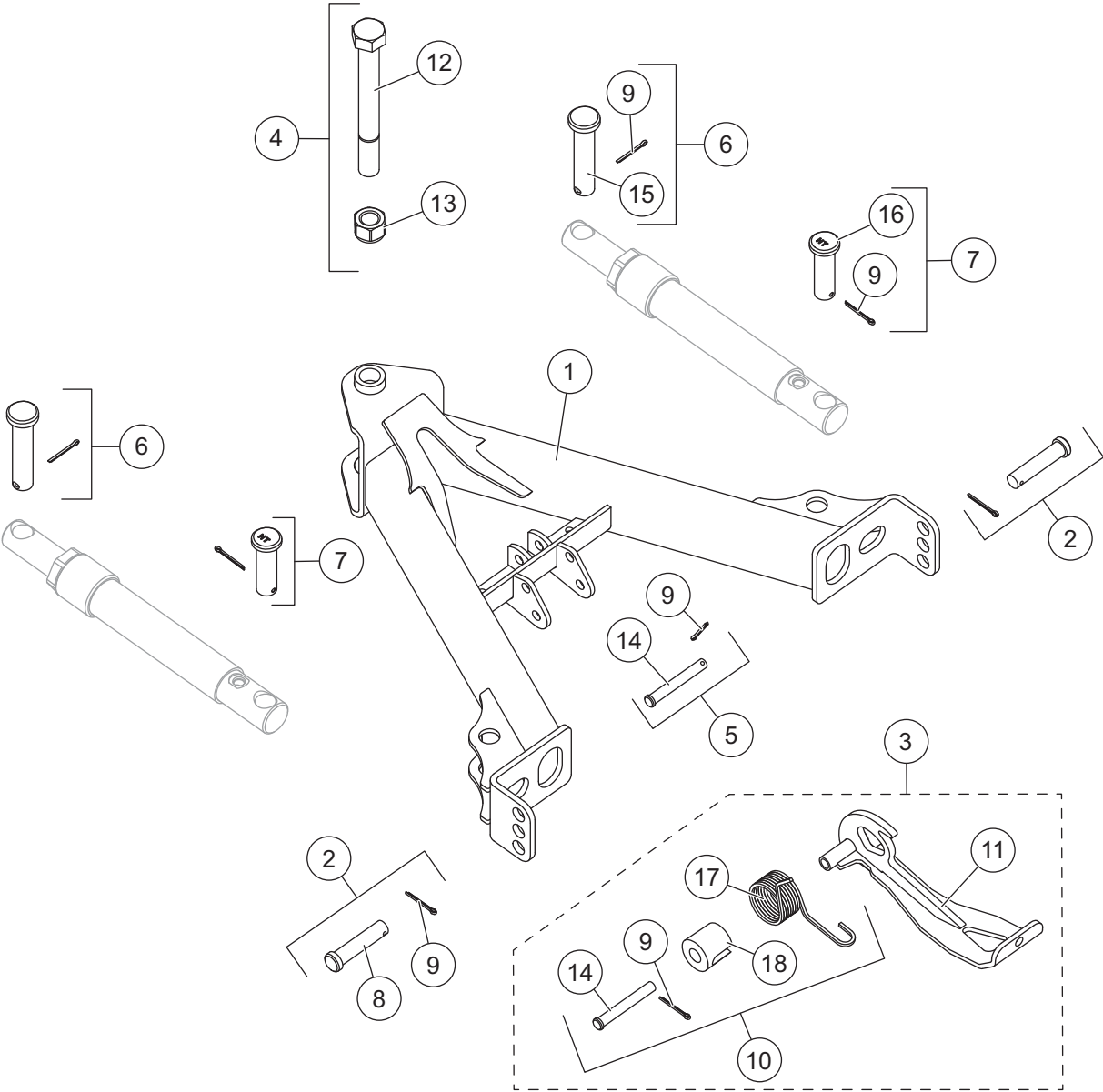
REGULAR DUTY BLADE ASSEMBLY

77710/77715 Blade Components							
Item	Part	Qty	Description	Item	Part	Qty	Description
1	84557	1	7600RD Blade w/ Labels	9	23039	2	Trip Spring
	84558	1	8000RD Blade w/ Labels	10	63976	2	Push Stop Kit
2	84445	1	5/16 Cutting Edge Kit – 7600RD	11 [†]	84506-1	1	Shoe Assembly Kit – HD, RD, LT
	84467	1	5/16 Cutting Edge Kit – 8000RD	12 [†]	84463	1	Back Drag Edge – 7'6"
ns	42417 [†]	1	3/8 Cutting Edge Kit – 7600RD		84464	1	Back Drag Edge – 8'
	40552 [†]	1	3/8 Cutting Edge Kit – 8000RD	13 [†]	84514	1	Rubber Deflector Kit – 7'6"
ns	40695 [†]	1	1/2 Cutting Edge Kit – 7600RD		84517	1	Rubber Deflector Kit – 8'
	40696 [†]	1	1/2 Cutting Edge Kit – 8000RD	14 [†]	43885	1	Curb Guard Kit
3	69425	1	Cutting Edge Kit Bolt Bag	15	52203	1	Label – Attach/Detach, Automatixx®
4	84525	1	24" Blade Guide Kit	16	59900	1	Label – Warning/Caution, Snowplows
5 [†]	84477	1	36" Poly Blade Guide Kit	17	29256	2	Label – Warning, Foot Crush
6	84574	1	Quadrant – RD	18	77702	1	Label – Logo, RD Blade Center
7	84631	2	3/4 x 2 Clevis Pin Kit w/Cotter	ns	84641	1	Blade Label Kit – RD
8	84702	2	Eyebolt Kit				
Item 2 84445/84467 5/16 Steel Cutting Edge Kit							
		1	5/16 Steel Cutting Edge	3	69425	1	Cutting Edge Kit Bolt Bag
Item 3 69425 Cutting Edge Kit Bolt Bag							
19		10	5/8-11 x 2 Carriage Bolt G5	21		10	5/8 Hardened Flat Washer
20		10	5/8-11 Hex Locknut GB				
Item 4 84525 24" Blade Guide Kit							
22		4	5/16-18 x 1 Hex Cap Screw G5	24		2	24" Poly Blade Guide w/ Label
23		4	5/16-18 Hex Locknut GB				
Item 7 84631 3/4 x 2 Clevis Pin Kit w/Cotter							
25		1	3/4 x 2 Clevis Pin	27		1	3/4 Flat Washer
26		1	5/32 x 1-1/2 Cotter Pin				
Item 8 84702 Eyebolt Kit							
20		1	5/8-11 Hex Locknut GB	28		1	5/8-11 x 4 Eyebolt
21		1	5/8 Hardened Flat Washer				
Item 10 63976 Push Stop Kit							
29		1	Bumper	31		2	1/4-20 x 3/4 Button Cap Screw w/Flange Hex Socket
30		2	1/4-20 Hex Locknut				
Item 11[†] 84506 Shoe Assembly Kit							
32	42301	2	Disc Shoe Assembly	ns	84732	1	Bolt Bag
33	84736	2	Shoe Bracket				
Item 32[†] 42301 Disc Shoe Assembly							
34	60217	1	Disc Shoe	36	91192	24	Round Flat Washer, Special
35	60045	1	Spacer	37	93010	1	7/16 x 1-3/4 Linchpin
84641 Blade Label Kit – RD							
15	52203	1	Label – Attach/Detach, Automatixx	17	29256	1	Label – Warning, Foot Crush
16	59900	1	Label – Warning/Caution, Snowplows	18	77702	1	Label – Logo, RD Blade Center
						ns = not shown	G = Grade

[†] Accessory only.

A-FRAME ASSEMBLY

A- Frame Components

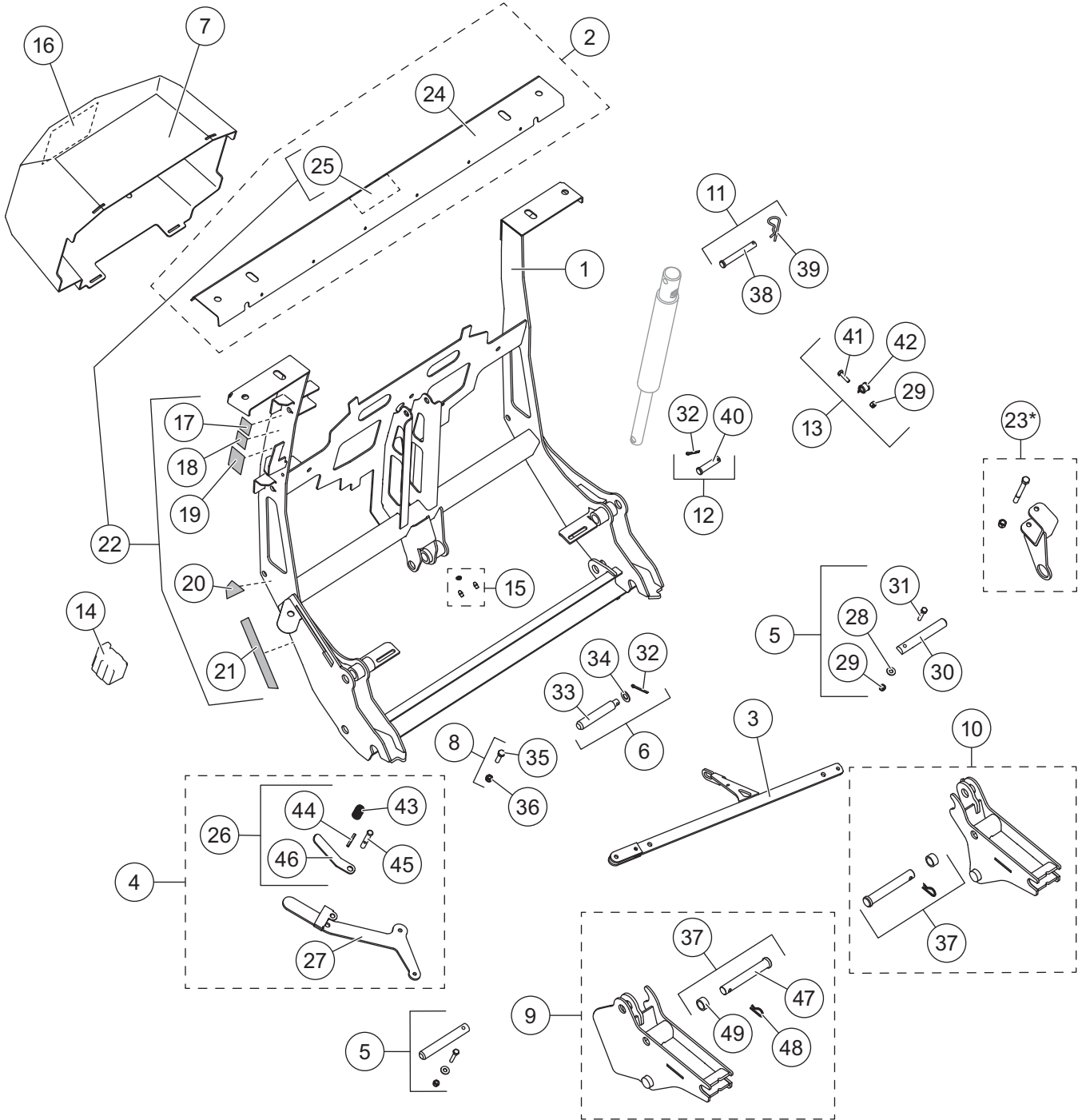


A-FRAME ASSEMBLY

A-Frame Components							
Item	Part	Qty	Description	Item	Part	Qty	Description
1	84588	1	A-Frame – RD	6	84633	2	1 x 4-3/4 Clevis Pin Kit – Angle Ram Rod End
2	84618	2	A-Frame Pin Kit	7	84634	2	1 x 3-1/4 Clevis Pin Kit – Angle Ram Base End
3	84593	1	Stand Kit				
4	69494	1	Pivot Bolt Kit				
5	83629	1	1/2 x 3-11/16 Clevis Pin Kit w/Cotter				
Item 2				84618 A-Frame Pin Kit			
8		1	3/4 x 3-1/4 Clevis Pin	9		1	5/32 x 1-1/2 Cotter Pin
Item 3				84593 Stand Kit			
10	84615	1	Stand Hardware Kit	11		1	Stand
Item 4				69494 Pivot Bolt Kit			
12		1	1-8 x 9 Hex Cap Screw Special G5	13		1	1-8 Locknut GB
Item 5				83629 1/2 x 3-11/16 Clevis Pin Kit			
9		1	5/32 x 1-1/2 Cotter Pin	14		1	1/2 x 3-11/16 Clevis Pin
Item 6				84633 1 x 4-3/4 Clevis Pin Kit – Angle Ram Rod End			
9		1	5/32 x 1-1/2 Cotter Pin	15		1	1 x 4-3/4 Clevis Pin
Item 7				84634 1 x 3-1/4 Clevis Pin Kit – Angle Ram Base End			
9		1	5/32 x 1-1/2 Cotter Pin	16		1	1 x 3-1/4 Clevis Pin G5
Item 10				84615 Stand Hardware Kit			
9		1	5/32 x 1-1/2 Cotter Pin	17		1	Stand Torsion Spring
14		1	1/2 x 3-11/16 Clevis Pin	18		1	Stand Spring Spacer
G = Grade							

HEADGEAR ASSEMBLY

Headgear Components



* For use only on headgear without a welded reinforcement gusset for the stand pin bushing.

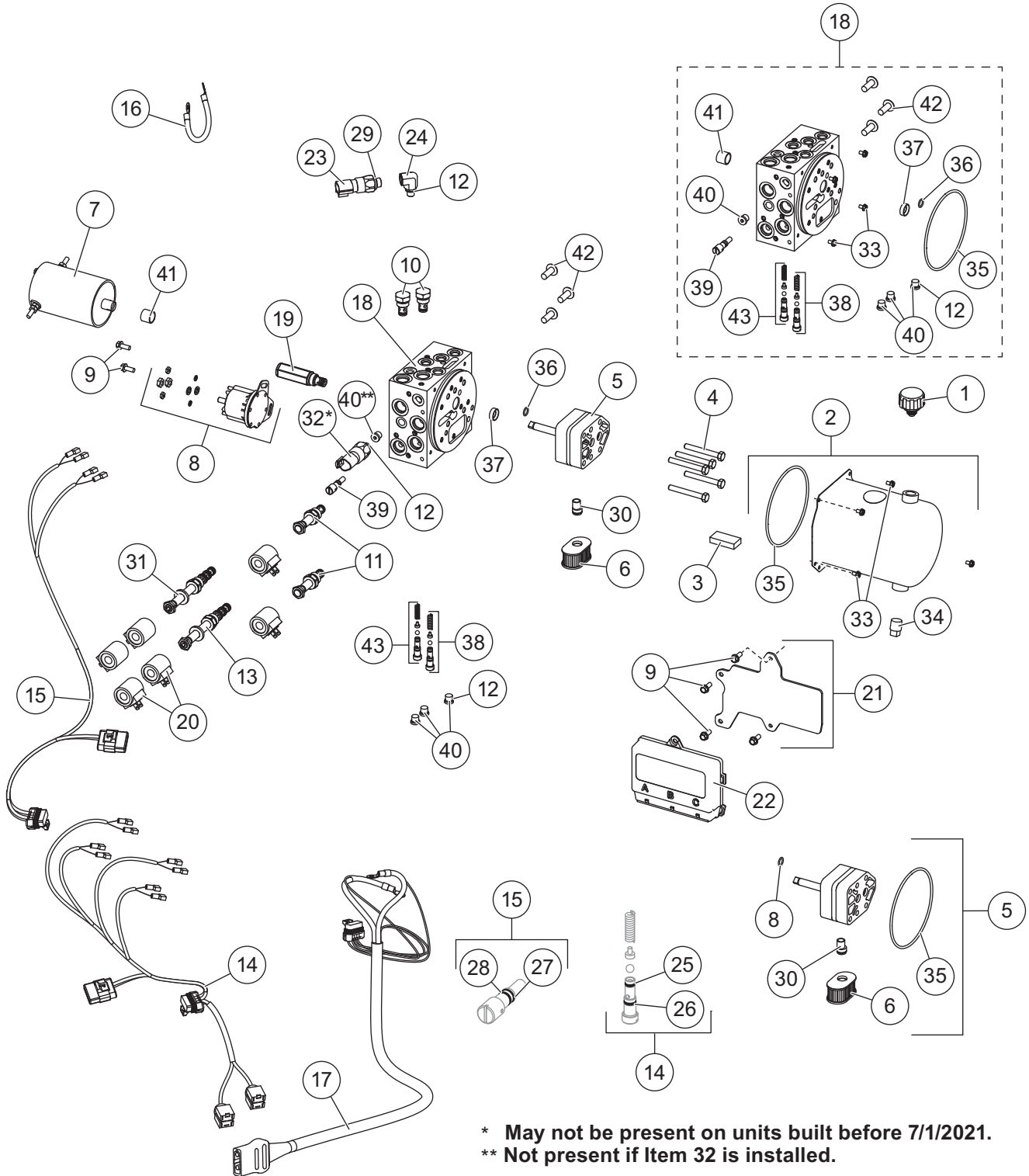
HEADGEAR ASSEMBLY

Headgear Components							
Item	Part	Qty	Description	Item	Part	Qty	Description
1	84620	1	Headgear – RD (incl. item 15)	13	84778	1	Power Cable Clamp Loop Kit
2	84619	1	Light Bar Channel – RD	14	61246	1	Cable Boot
3	84598	1	Link Arm – RD	15	84616	1	Grease Zerk (pkg of 3)
4	84794	1	Attach Handle Kit – RD	16	43859	1	Label – Information, Hydraulic
5	84603	2	Attach Pin Kit	17	52206	1	Label – Power Switch, Automatixx®
6	84601	1	Link Arm Jack Stand Pin Kit	18	52207	1	Label – Operation Switch, Automatixx
7	84648	1	Hydraulic Cover (incl. item 15)	19	69689	1	Label – Logo, SECURITY GUARD™
8	84635	1	Link Arm/Attach Handle Fastener Kit	20	77717	1	Label – Upper, Automatixx
9	84606	1	RD Receiver Kit – DS	21	77718	1	Label – Lower, Automatixx
10	84607	1	RD Receiver Kit – PS	22	84456	1	Headgear Label Kit – RD
11	85199	1	Lift Ram Base Pin Kit	23*	84790	–	Stand Pin Support Kit
12	84627	1	Lift Ram Rod Pin Kit				
Item 2				84619 Light Bar Channel – RD			
	24	1	Light Bar		25	84553	1 Label – Logo, SnowEx® Light Bar
Item 4				84794 Attach Handle Kit – RD			
	26	84596	1 Attach Handle Release Cam Kit		27	84457	1 Handle
Item 5				84603 Attach Pin Kit			
	28	1	1/4 Flat Washer		30	1	Hitch Pin
	29	1	1/4-20 Hex Locknut GB		31	1	1/4-20 x 1-1/2 Hex Cap Screw SS
Item 6				84601 Link Arm Jack Stand Pin Kit			
	32	1	5/32 x 1-1/2 Cotter Pin		34	1	1/2 Flat Washer Type B Narrow SS
	33	1	Stand Actuator Pin				
Item 8				84635 Link Arm/Attach Handle Fastener Kit			
	35	1	5/16-18 x 1-1/4 Hex Cap Screw G5		36	1	5/16-18 Hex Locknut GB
Item 9				84606 RD Receiver Kit – DS			
		1	Receiver, DS		37	84611	1 Receiver Pin Kit
Item 10				84607 RD Receiver Kit – PS			
		1	Receiver, PS		37	84611	1 Receiver Pin Kit
Item 11				85199 Lift Ram Base Pin Kit			
	38	1	1/2 x 2-7/8 Clevis Pin		39	1	1/8 Hairpin Cotter
Item 12				84627 Lift Ram Rod Pin Kit			
	32	1	5/32 x 1-1/2 Cotter Pin		40	1	1/2 x 2-1/8 Clevis Pin
Item 13				84778 Power Cable Clamp Loop Kit			
	29	1	1/4-20 Hex Locknut GB		42	65340	1 #10 Clamp Loop
	41	1	1/4-20 x 1 Hex Cap Screw G5				
Item 22				84456 Headgear Label Kit – RD			
	17	52206	1 Label – Power Switch, Automatixx		20	77717	1 Label – Upper, Automatixx
	18	52207	1 Label – Operation Switch, Automatixx		21	77718	1 Label – Lower, Automatixx
	19	69689	1 Label – Logo, SECURITY GUARD		25	84553	1 Label – Logo, SnowEx Light Bar
Item 26				84596 Attach Handle Release Cam Kit			
	43	1	Stand Lock Pin Spring		45	1	Handle Lock Pin
	44	1	3/16 x 1-3/8 Roll Pin SS		46	1	Handle Lock Pin Lever
Item 37				84611 Receiver Pin Kit			
	47	95739	1 3/4 x 5 Clevis Pin HT		49	63211	1 Spacer
	48	42142	1 R-Pin Cotter				
			SS = Stainless Steel				HT = Heat Treated
							G = Grade

* For use only on headgear without a welded reinforcement gusset for the stand pin bushing.

HYDRAULIC AND ELECTRICAL COMPONENTS

Hydraulic Unit Components



HYDRAULIC AND ELECTRICAL COMPONENTS

52649 Hydraulic Unit							
Item	Part	Qty	Description	Item	Part	Qty	Description
1	48278	1	Breather	17	52291	1	Snowplow Battery Cable
2	52289	1	Reservoir Kit	18	52257	1	Manifold Assembly w/o Valves RD/LT
3	73897	1	Magnet	19	42889	1	Relief Valve 4000 psi
4	90073	5	5/16-18 x 2-1/4 Hex Cap Screw G5	20	52294	6	Coil
ns	52252	1	Seal Repair Tool Kit w/Seal	21	52293-1	1	Plate, Module
5	52288	1	Hydraulic Pump Kit	22	52292-1	1	Module, Plow Control
6	48281	1	Filter	23	84838	1	Pressure Switch
ns	52251	1	Bearing Repair Tool Kit w/Bearing	24	52295	1	Elbow, 90° –4 M ORB/–6 F ORB
7	52299	1	Motor	25	55371	2	O-Ring -008
8	52290	1	Motor Relay Kit, FLEET FLEX System	26	25731	2	O-Ring -010
9	44355	6	1/4-20 x 5/8 Hex Washer-Head	27	48239	1	O-Ring -106
10	84934	2	Check Valve	28	48240	1	Back-Up Ring -106
11	84936	2	Valve, 2-Way NC w/Rev Flow	29	56569	5	O-Ring -906
12	44343	6	O-Ring -904	30	10887	1	Inlet Fitting
13	52285	1	Valve, 4-Way, 3-Position Closed Center	31	84937	1	Valve, 4-Way, 3-Position
14	70448	1	Plow Control Harness, 4-Coil	ns		3	Fuse, 5A Mini Automotive-Style (for items 25 and 26)
15	52077	1	Plow Control Harness, 2-Coil	32	83859	1	Pressure Switch (Scrape Maxx™ down-force feature)
16	29071	1	Vehicle Battery Cable 8"				
O-Ring Service Kits							
–	52298-2	–	O-Ring Kit	–	48310	–	Seal Kit, 2-Way Valves
–	48309	–	Seal Kit, 3-Way & 4-Way Valves				
Item 2	52289 Reservoir Kit						
33	66607	4	#10-24 x 5/16 Machine Screw	35	66519	1	O-Ring 2-250
34	92079	1	Plug, Square 3/8 NPTF				
Item 18	52257 Manifold Assembly w/o Valves HD						
12	44343	5	O-Ring -904	39	48517	1	Quill
33	66607	4	#10-24 x 5/16 Machine Screw	40	44344	4	Plug, Hex Socket –4 M ORB
35	66519	1	O-Ring 2-250	41†	56364	1	Bearing Sleeve
36	56274	1	O-Ring -013	42	98043	3	3/8-16 x 1 Button Cap Screw
37*	66515	1	Pump Shaft Seal	43	52284	1	Relief Valve (1 set)
38	52282	1	Relief Valve (1 set)				
ns = not shown		F = Female		M = Male		G = Grade	

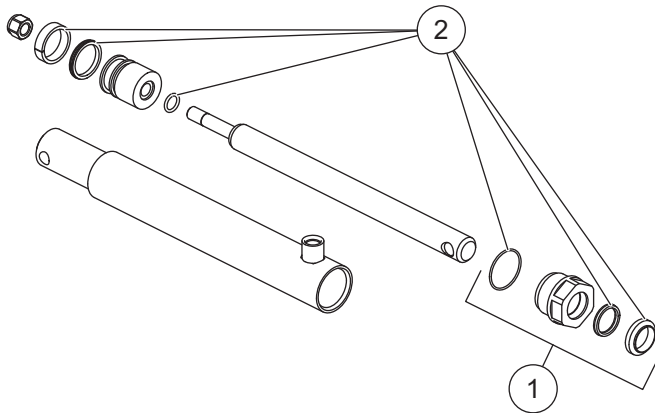
* Use 52252 tool to install.

† Use 52251 tool to install.

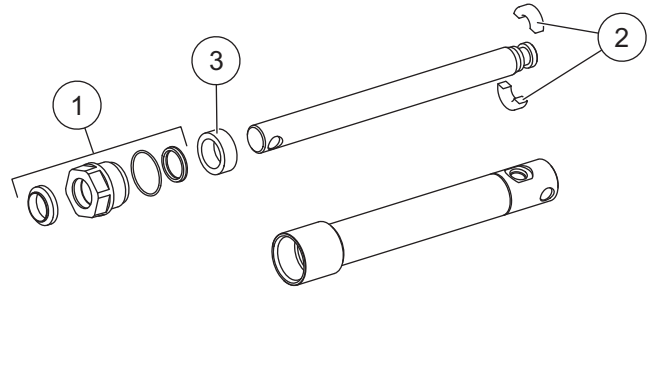
Go to www.snowexproducts.com for hydraulic unit service information and specifications.

HYDRAULIC AND ELECTRICAL COMPONENTS

Lift and Angle Ram Components



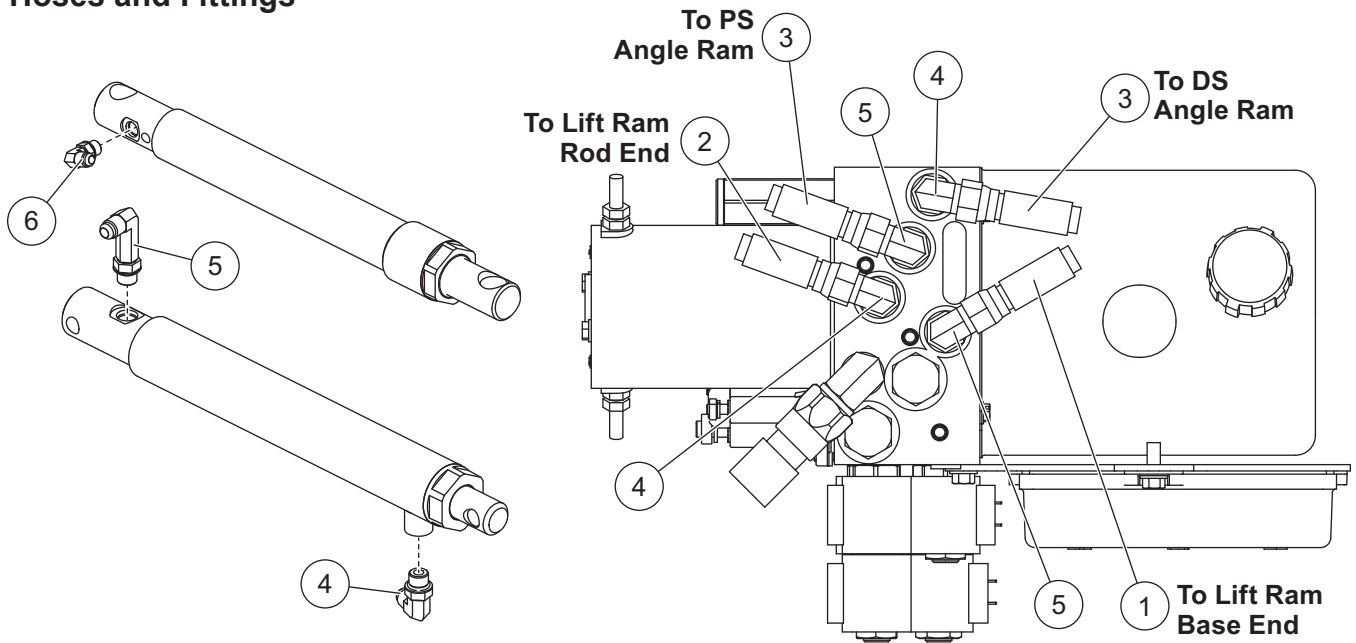
84424 Lift Ram Assembly 1-1/2 x 9 DA			
Item	Part	Qty	Description
1	52277	1	Gland Nut Assembly
2	52302	1	Seal Kit 1-1/2 DA Ram



84427 Angle Ram Assembly 1-1/2 x 8			
Item	Part	Qty	Description
1	48985	1	Gland Nut Assembly
2	57879	1	1-1/2 Split Bearing Kit
3	56537	1	Spacer

HYDRAULIC AND ELECTRICAL COMPONENTS

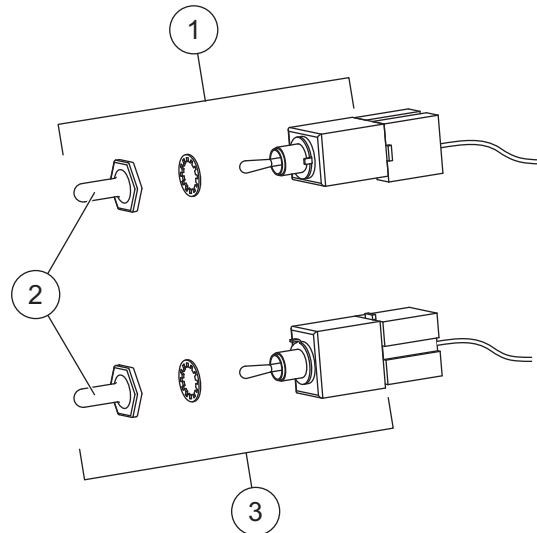
Hoses and Fittings



Hoses and Fittings							
Item	Part	Qty	Description	Item	Part	Qty	Description
1	84446	1	Hose, 1/4 x 14 w/F JIC Ends	5	40572	3	Elbow, Extra Long 90° -6 M JIC/-6 M ORB
2	40570	1	Hose, 1/4 x 22 w/F JIC Ends	6	77929	1	Elbow, 90° -6 M JIC/-6 M ORB w/Screen
3	52304	2	Hose, 3/8 x 36 w/F JIC Ends				
4	40571	4	Elbow, 90° -6 M JIC/-6 M ORB				
ns	56823	1	Hose Wrap				
			F = Female				M = Male
							ns = not shown

HYDRAULIC AND ELECTRICAL COMPONENTS

Electrical Components

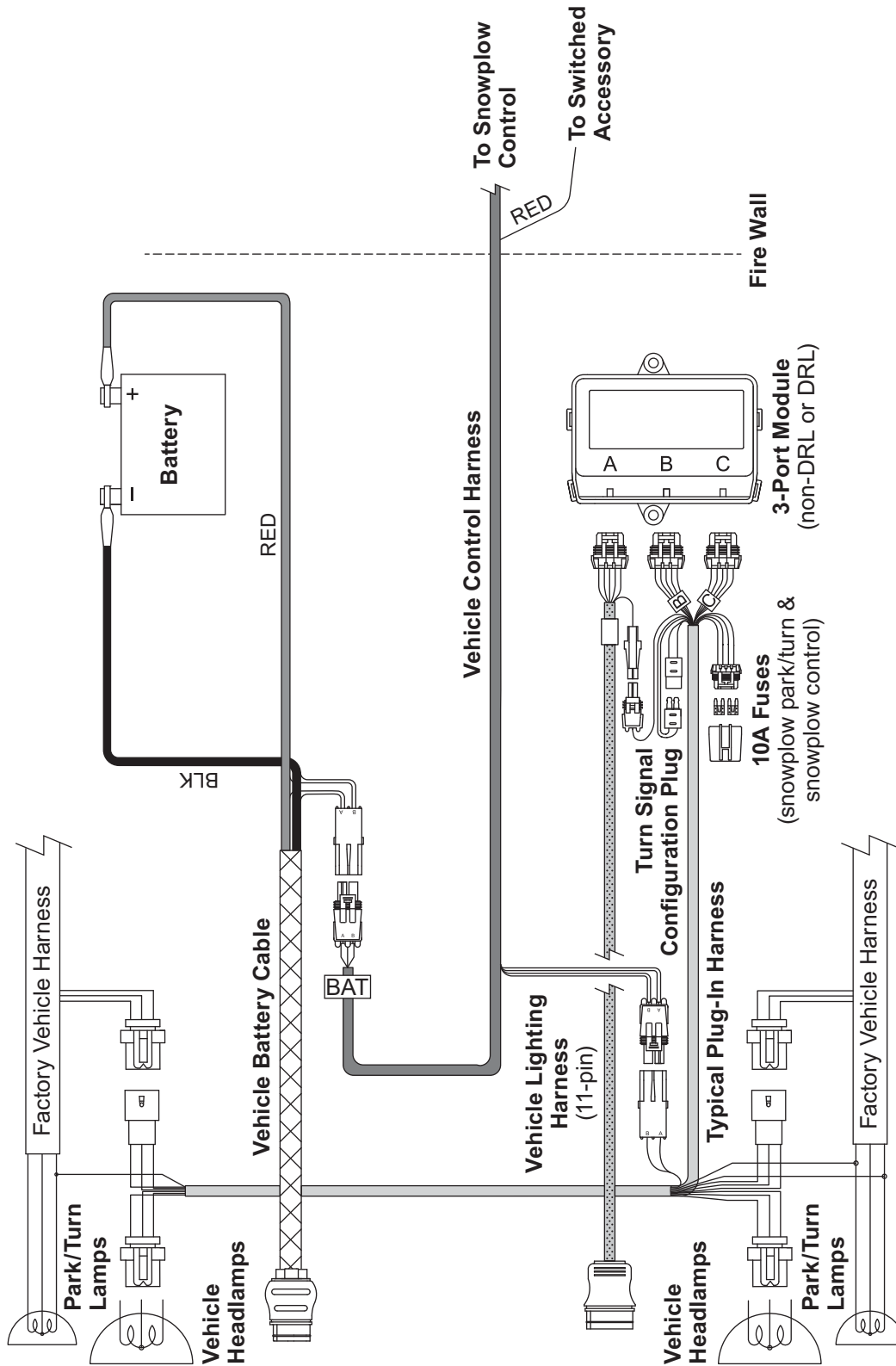


Plow-Side Electrical Components							
Item	Part	Qty	Description	Item	Part	Qty	Description
1	40575	1	Toggle Switch (MOM-ON, OFF, ON)	3	40576	1	Toggle Switch (MOM-ON, OFF, MOM-ON)
2	48259	2	Switch Boot				
Vehicle-Side Electrical Components							
*	72527	1	Vehicle Battery Cable	ns	48325	2	Plug Cover
*	28587	1	Vehicle Control Harness				
ns = not shown							

* For diagram see Vehicle-Side Harness Diagram.

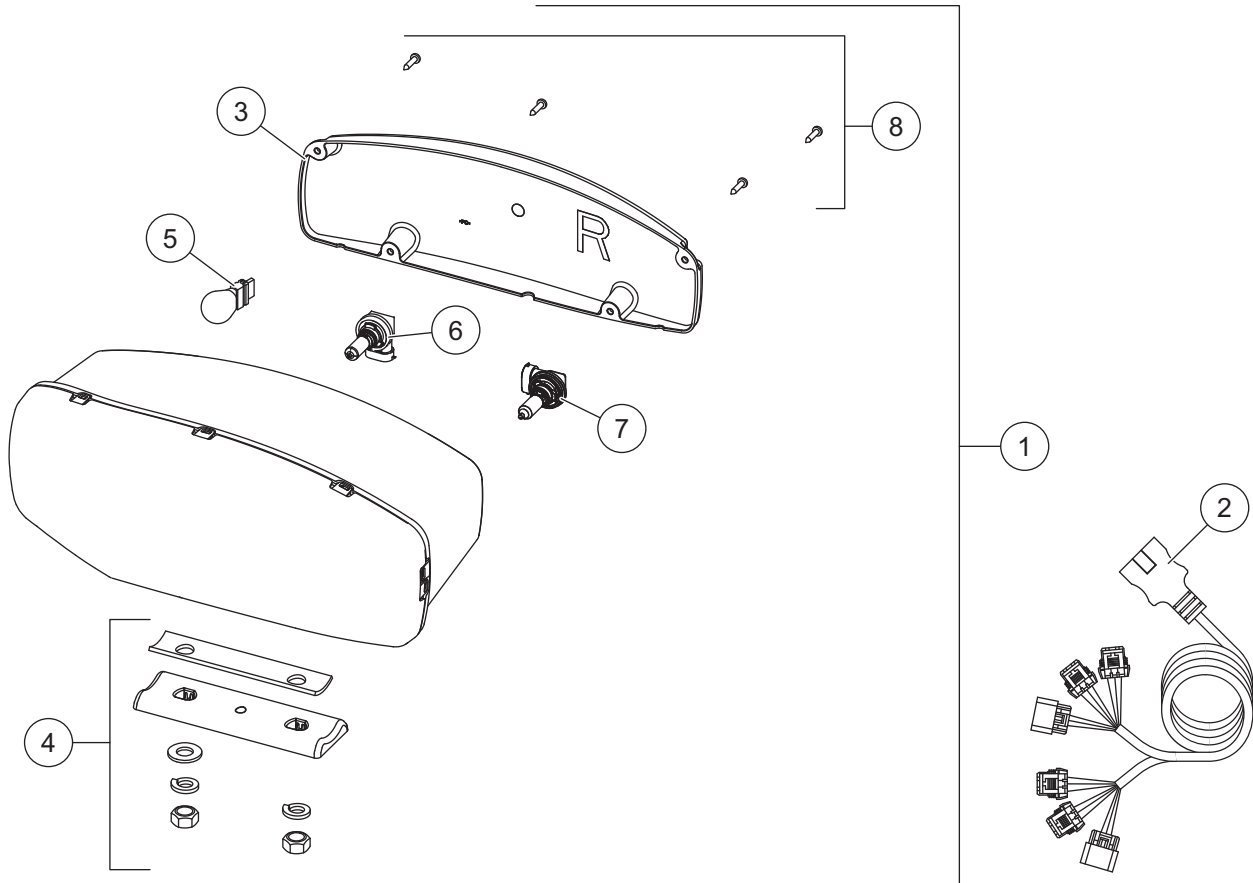
VEHICLE-SIDE HARNESS DIAGRAM

Vehicle-Side Harness Diagram



HEADLAMPS

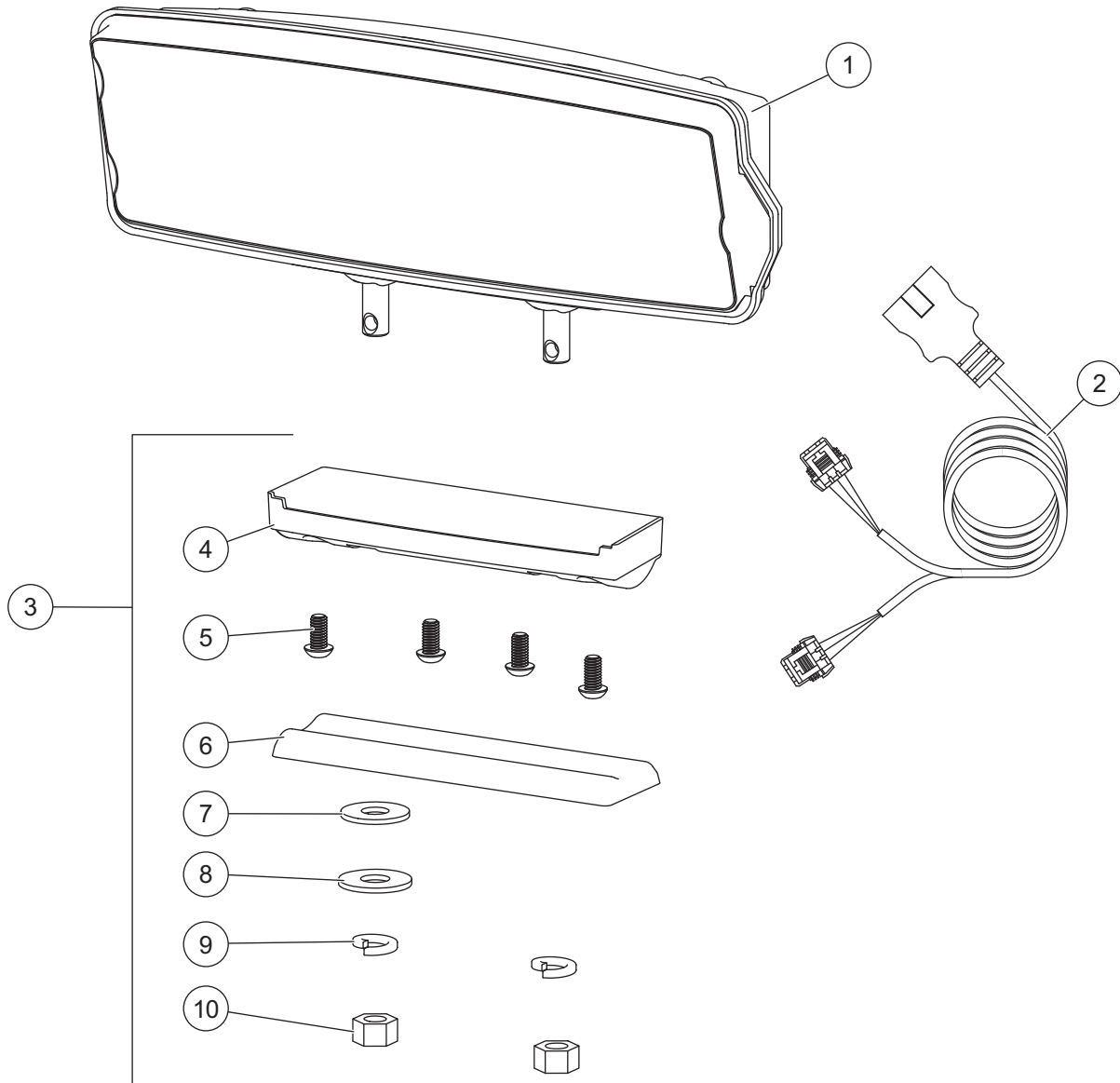
Headlamp Components – Halogen



38800 Headlamp Kit H9/H11 (pair)							
Item	Part	Qty	Description	Item	Part	Qty	Description
1	38802	1	Headlamp Service Kit H9/H11 – PS	2	38807	1	Harness Service Kit H9/H11
ns	38801	1	Headlamp Service Kit H9/H11 – DS				
Item 1 38801/38802 Headlamp Service Kit H9/H11 – PS/DS							
3	38803	1	Rear Cover Kit H9/H11 – PS	6	38811	1	Headlamp Bulb Service Kit H11
ns	38812	1	Rear Cover Kit H9/H11 – DS	7	38809	1	Headlamp Bulb Service Kit H9
4	38804	1	Mounting Hardware Kit H9/H11	8	38808	1	Cover Screws Service Kit H9/H11 (pkg of 4)
5		1	Park/Turn Bulb (trade no. 4157NAK)				
ns = not shown							

HEADLAMPS

Headlamp Kit – LED



Headlamp Kit LED							
Item	Part	Qty	Description	Item	Part	Qty	Description
1	39901	1	Headlamp Service Kit LED – DS	3	39903	1	Mounting Hardware Kit LED
ns	39902	1	Headlamp Service Kit LED – PS	ns	72512	1	LED Harness Connector Cover (pkg of 2)
2	72548	1	Harness Service Kit LED	Item 3 39903 Mounting Hardware Kit LED			
4		1	Plastic Casing	8		1	1/2 Flat Washer
5		4	1/4 Button Cap Screw	9		2	1/2 Lock Washer
6		1	Headlamp Swivel	10		2	1/2 Hex Nut
7		1	1/2 Rubber Washer	ns		1	Metal Insert

ns = not shown



TrynEx International, LLC
531 Ajax Drive
Madison Heights, MI 48071-2429
www.snowexproducts.com

 A DIVISION OF DOUGLAS DYNAMICS, LLC

Copyright © 2021 Douglas Dynamics, LLC. All rights reserved. This material may not be reproduced or copied, in whole or in part, in any printed, mechanical, electronic, film, or other distribution and storage media, without the written consent of TrynEx International, LLC. Authorization to photocopy items for internal or personal use by TrynEx International outlets or snowplow owner is granted.

TrynEx International reserves the right under its product improvement policy to change construction or design details and furnish equipment when so altered without reference to illustrations or specifications used. TrynEx International or the vehicle manufacturer may require or recommend optional equipment for snow removal. Do not exceed vehicle ratings with a snowplow. TrynEx International offers a limited warranty for all snowplows and accessories. See separately printed page for this important information. The following are registered (®) or unregistered (™) trademarks of Douglas Dynamics, LLC: Automatix®, Scrape Maxx™, SnowEx®.

Printed in U.S.A.