



8'6" and 9'6" HDV™ Snowplow

Mild Steel Blades 77770, 77780
Stainless Steel Blades 77775, 77785
Big Box Assembly 77870-1, 77870-3

Parts List

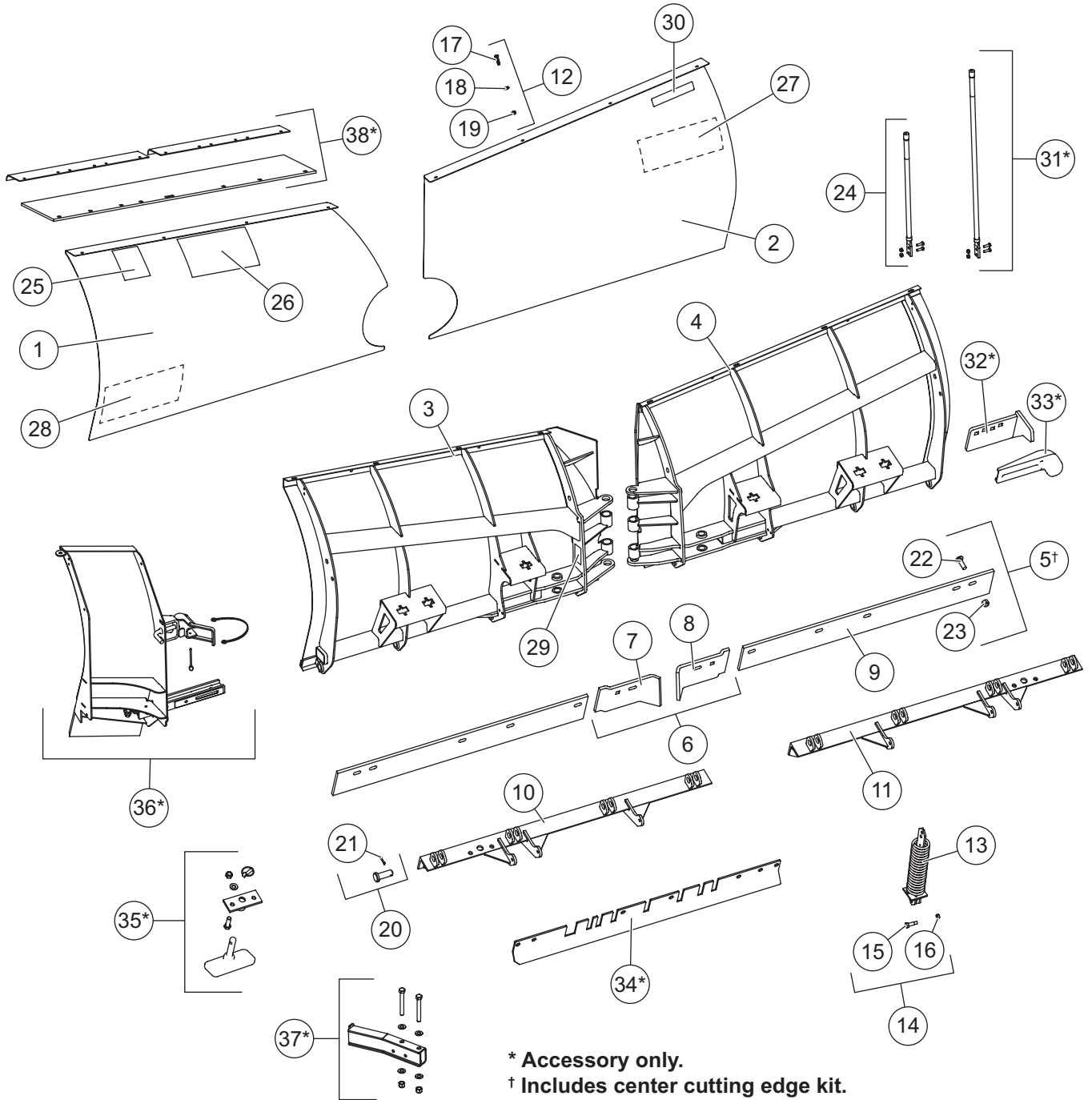


TABLE OF CONTENTS

HDV™ BLADE COMPONENTS	4
HDV HYDRAULIC, LIFT FRAME, AND T-FRAME BIG BOX ASSEMBLY	6
T-Frame Assembly.....	6
Headgear Assembly	8
Hydraulic and Electrical Components.....	10
Hydraulic Unit	10
Lift and Angle Ram Components	12
Hoses and Fittings.....	13
Electrical Components	14
Vehicle-Side Harness Diagram – 3-Port, 2-Plug System.....	15
Headlamp Kits.....	16–17

HDV™ BLADE 77770/77775/77780/77785

Blade Components – 9'6" Shown



HDV™ BLADE 77770/77775/77780/77785

77770/77775/77780/77785 HDV Blade					
Item	Description	Part Number			
		8'6" Blade		9'6" Blade	
		MS	SS	MS	SS
1	Moldboard Kit w/Fasteners & Labels – DS	85087	85088	85089	85090
2	Moldboard Kit w/Fasteners & Labels – PS	85091	85092	85093	85094
3	Frame, Base Angle & Spring Assembly – DS	85117		85118	
4	Frame, Base Angle & Spring Assembly – PS	85119		85120	
5†	Cutting Edge Kit, Complete (3/8)	84850		–	
	Cutting Edge Kit, Complete (1/2)	84851		84852	
	Cutting Edge Kit, Complete (5/8)	85365		85366	
6	Center Cutting Edge Kit	44894-1			
	Center Cutting Edge Kit (5/8)	85360*			
7	Center Cutting Edge – DS	44891-1			
	Center Cutting Edge (5/8) – DS	85351*			
8	Center Cutting Edge – PS	44890-1			
	Center Cutting Edge (5/8) – PS	85352*			
9	Cutting Edge – One Side (3/8)	44897		–	
	Cutting Edge – One Side (1/2)	44997		44898	
	Cutting Edge – One Side (5/8)	85363		85364	
10	Base Angle – DS	43128		43130	
11	Base Angle – PS	43129		43131	
12	Moldboard Fasteners Kit (set of 8)	43890	43289	43890	43289
MS = Mild Steel		SS = Stainless Steel			

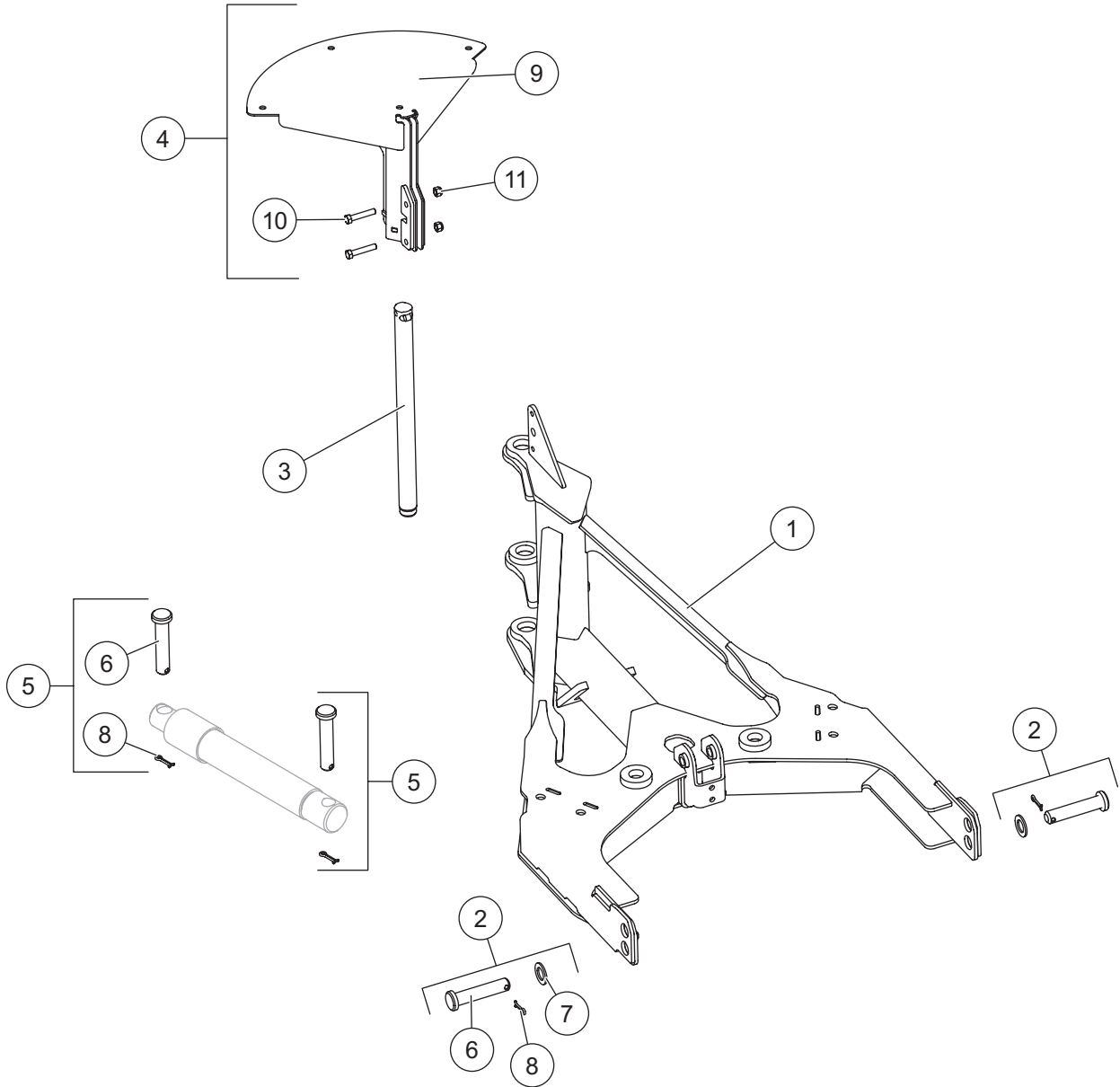
† Includes center cutting edge kit.

Blade Pins, Fasteners, Labels, Springs					
Item	Part	Description	Item	Part	Description
13	21452	Removable Spring Assembly	25	59900	Label – Warning/Caution, Snowplows
14	83624	Spring Assembly Bolt Kit	26	52593	Label – Attach/Detach, Automatixx®
15		7/16-14 x 1/2 x 1-5/8 Shoulder Bolt	27	85113	Label – Logo, SnowEx® – MS
16		7/16-14 Hex Locknut GB		85115	Label – Logo, SnowEx – SS
17		3/8-16 x 1 Button Cap Screw	28	85112	Label – Logo, HDV – MS
18		3/8 Hardened Flat Washer		85114	Label – Logo, HDV – SS
19		3/8-16 Hex Locknut GB	29	29256	Label – Warning, Foot Crush Hazard
20	85082	1 x 2-3/4 Clevis Pin w/Cotter	ns	85084	Label Kit – MS Blade (items 25–29)
21		1/4 x 1-3/4 Cotter Pin		85099	Label Kit – SS Blade (items 25–29)
22		5/8-11 x 2 Carriage Bolt G5	30		Label – Blade Size & Serial Number
23		5/8-11 Hex Locknut GB	ns	44763	Bolt Bag – Cutting Edge Kits (1 side, 5 sets of fasteners)
24	84525	24" Poly Blade Guide Kit (set of 2)			
Blade Accessories					
31*	84477	36" Poly Blade Guide Kit (set of 2)	36*	43510-1	Blade Wing Extensions Kit
32*	43885	Curb Guard Kit, Welded – PS & DS	37*	43082-1	Blade Stop Kit (set of 2)
33*	44404	Curb Guard Kit, Cast (single)	38*	85108	Deflector Kit (universal) 10"
34*	44283-5	Back Drag Edge Kit, 9'6" Blade	ns	85109*	Deflector Kit (universal) 18"
ns	44282-5*	Back Drag Edge Kit, 8'6" Blade	ns	43620*	Bolt Bag – Rubber Deflector
35*	43088	Shoe Kit (set of 2)			
MS = Mild Steel		SS = Stainless Steel		G = Grade	
				ns = not shown	

* Accessory only.

T-FRAME ASSEMBLY

T-Frame, Center Snow Control, and Pins

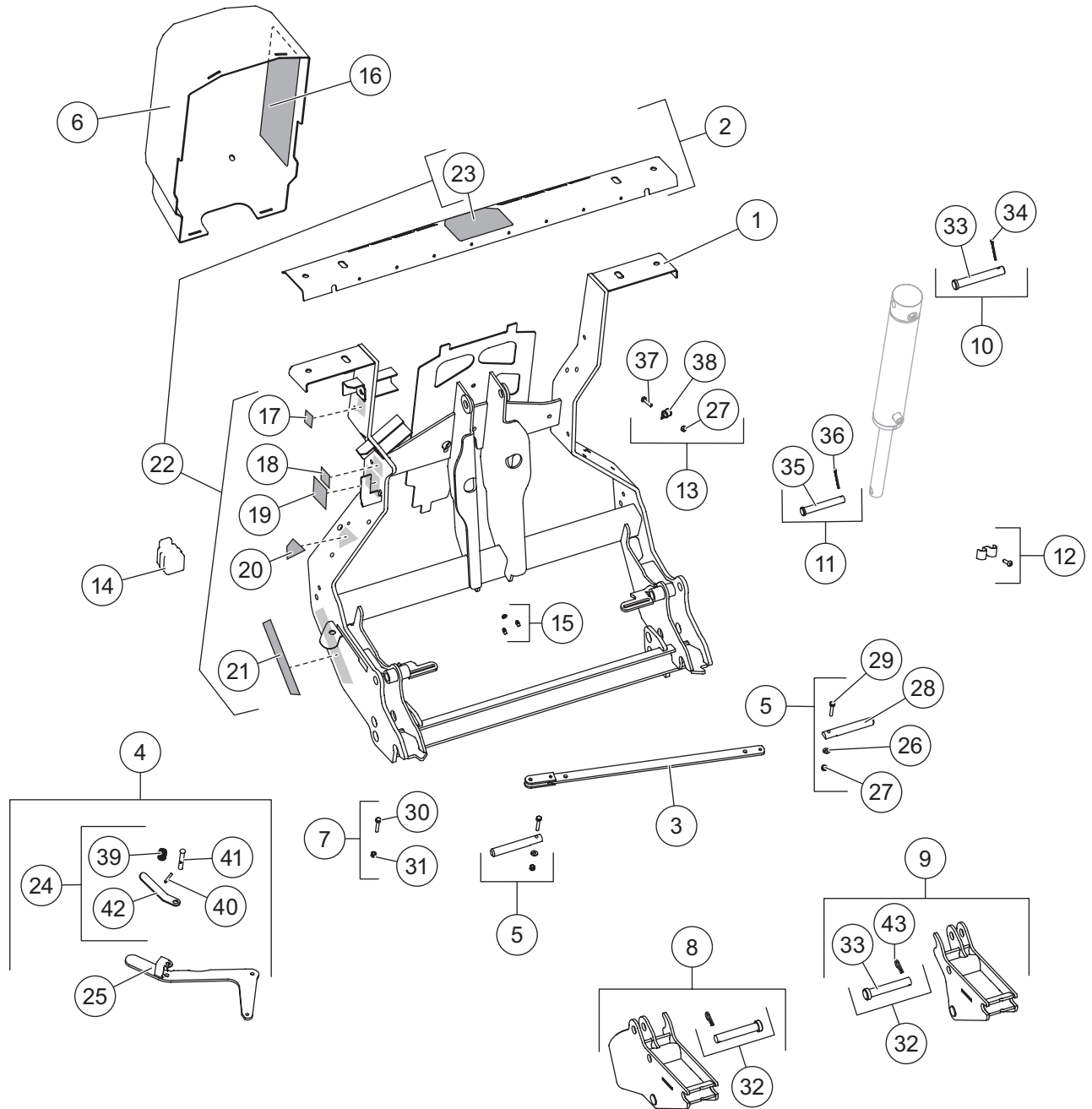


T-FRAME ASSEMBLY

T-Frame Components							
Item	Part	Qty	Description	Item	Part	Qty	Description
1	85050	1	T-Frame – HDV™	4	43118-1	1	Center Snow Control Kit
2	84623	2	Clevis Pin Kit	5	85125	4	Clevis Pin Kit
3	49844	1	Main Pivot Pin				
Item 2				84623 Clevis Pin Kit			
6		1	1 x 4-3/4 Clevis Pin	8		1	1/4 x 1-1/2 Cotter Pin
7		1	1" Flat Washer Special				
Item 4				43118-1 Center Snow Control Kit			
9		1	Snow Control	11		2	3/8-16 Hex Locknut GB
10		2	3/8-16 x 2 Hex Cap Screw G5				
Item 5				85125 Clevis Pin Kit			
6		1	1 x 4-3/4 Clevis Pin	8		1	1/4 x 1-1/2 Cotter Pin
G = Grade							

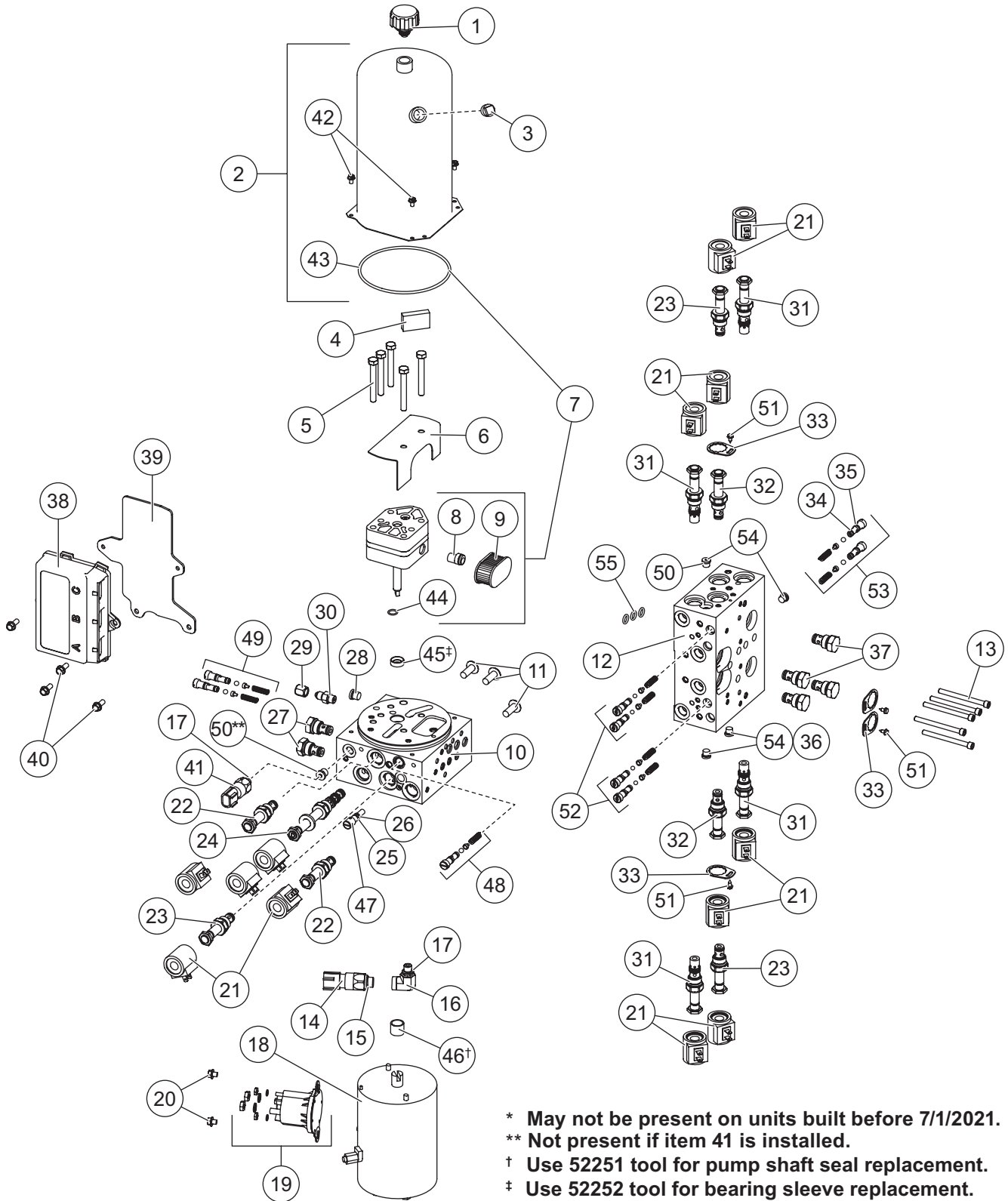
HEADGEAR ASSEMBLY

Headgear Components



HYDRAULIC AND ELECTRICAL COMPONENTS

Hydraulic Unit



HYDRAULIC AND ELECTRICAL COMPONENTS

52651 Hydraulic Unit – V-Plow						
Item	Part	Qty	Description	Item	Part	Qty Description
1	48278	1	Breather	21	52294	13 Coil
2	52631	1	Reservoir Kit	22	84936	2 Valve, 2-Way NC w/Rev Flow
3	92079	1	Plug, Square 3/8 NPTF	23	49690	3 Valve, 2-Way w/Nut
4	73897	1	Magnet	24	84937	1 Valve, 4-Way, 3-Position
5		5	5/16-18 x 2-1/2 Hex Cap Screw G5	25	48239	1 O-Ring -106
6	84889	1	Baffle Plate	26	48240	1 Back-Up Ring -106
7	49487	1	Hydraulic Pump Kit	27	84934	2 Check Valve
8	10887	1	Pump Inlet Fitting	28	44344	2 Plug, Hex Socket –4 M ORB
9	48281	1	Filter	29	52642	1 Cap –4 F JIC
ns	52252	1	Seal Repair Tool Kit w/Seal	30	B60004	1 Connector, Short –4 M JIC/ –4 M ORB
10	52579	1	Primary Manifold Assy w/o Valves HD	31	49489	4 Valve, 2-Way w/Check
11		3	3/8-16 x 1-1/4 Serrated Flange Hex Cap Screw	32	52587	2 Valve, SF08-2015 w/Nut
12	52582	1	Secondary Manifold Assy w/o Valves	33	44369	4 Valve Lock Ring w/Screw
13		5	1/4-20 x 3 Socket Cap Screw	34	55371	8 O-Ring -008
14	84841	1	Pressure Switch	35	25731	8 O-Ring -010
15	56569	1	O-Ring -906	36	26784	4 O-Ring -903
16	52295	1	Elbow, 90° –4 M ORB/–6 F ORB	37	48287	4 Check Valve
17	44343	4	O-Ring -904	38	52292-1	1 Plow Control Module
ns	52251	1	Bearing Repair Tool Kit w/Bearing	39	52293-1	1 Module Plate
18	52281	1	Motor	40	44355	4 1/4-20 x 5/8 Hex Washer-Head Thread-Rolling Screw
19	52578	1	Motor Relay Kit, FLEET FLEX System	41	83859	1 Pressure Switch (Scrape Maxx™ down-force feature)
20	29099	2	1/4-20 x 1/4 Hex Washer-Head Thread-Rolling Screw			
O-Ring Service Kits						
–	52298-1	–	O-Ring Kit	–	48310	– Seal Kit, 2-Way Valves
–	48309	–	Seal Kit, 3-Way & 4-Way Valves			
Item 10	52579 Primary Manifold Assembly w/o Valves HD					
42	66607	4	#10-24 x 5/16 Machine Screw	47	48517	1 Quill
43	66519	1	O-Ring 2-250	48	52282	1 Relief Valve (1 set)
44	56274	1	O-Ring -013	49	52284	2 Relief Valve (1 set)
45†	66515	1	Pump Shaft Seal	50	44344	4 Plug, Hex Socket –4 M ORB
46†	56364	1	Bearing Sleeve			
Item 16	52582 Secondary Manifold Assembly w/Valves					
51		4	#8-18 x 3/8 Tapping Screw	54	92960	4 Plug, Hex Socket –3 M ORB
52	44356	2	Relief Valve Kit (2 sets)	55	29077	3 O-Ring -110
53	52283	1	Relief Valve (2 sets)			
		ns = not shown				F = Female
						M = Male
						G = Grade

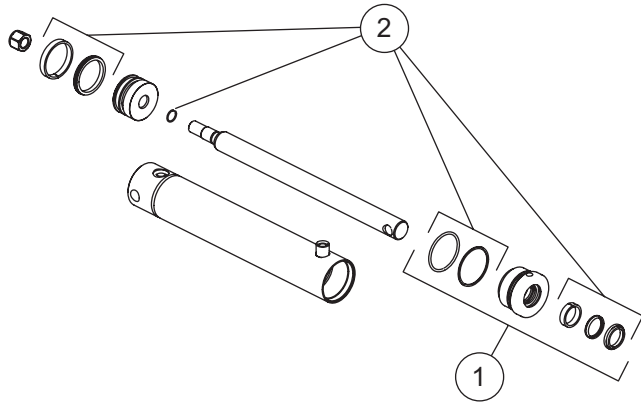
† Use 52251 tool to install.

‡ Use 52252 tool to install.

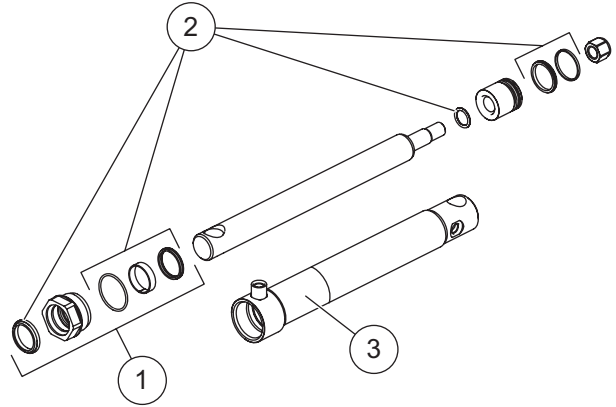
Go to www.snowexproducts.com for hydraulic unit service information and specifications.

HYDRAULIC AND ELECTRICAL COMPONENTS

Lift and Angle Ram Components



52632 Lift Ram Assembly 2-1/2 x 11-3/4			
Item	Part	Qty	Description
1	52633	1	Gland Assembly 1-1/4
2	52634	1	Seal Kit 2-1/2 DA Ram

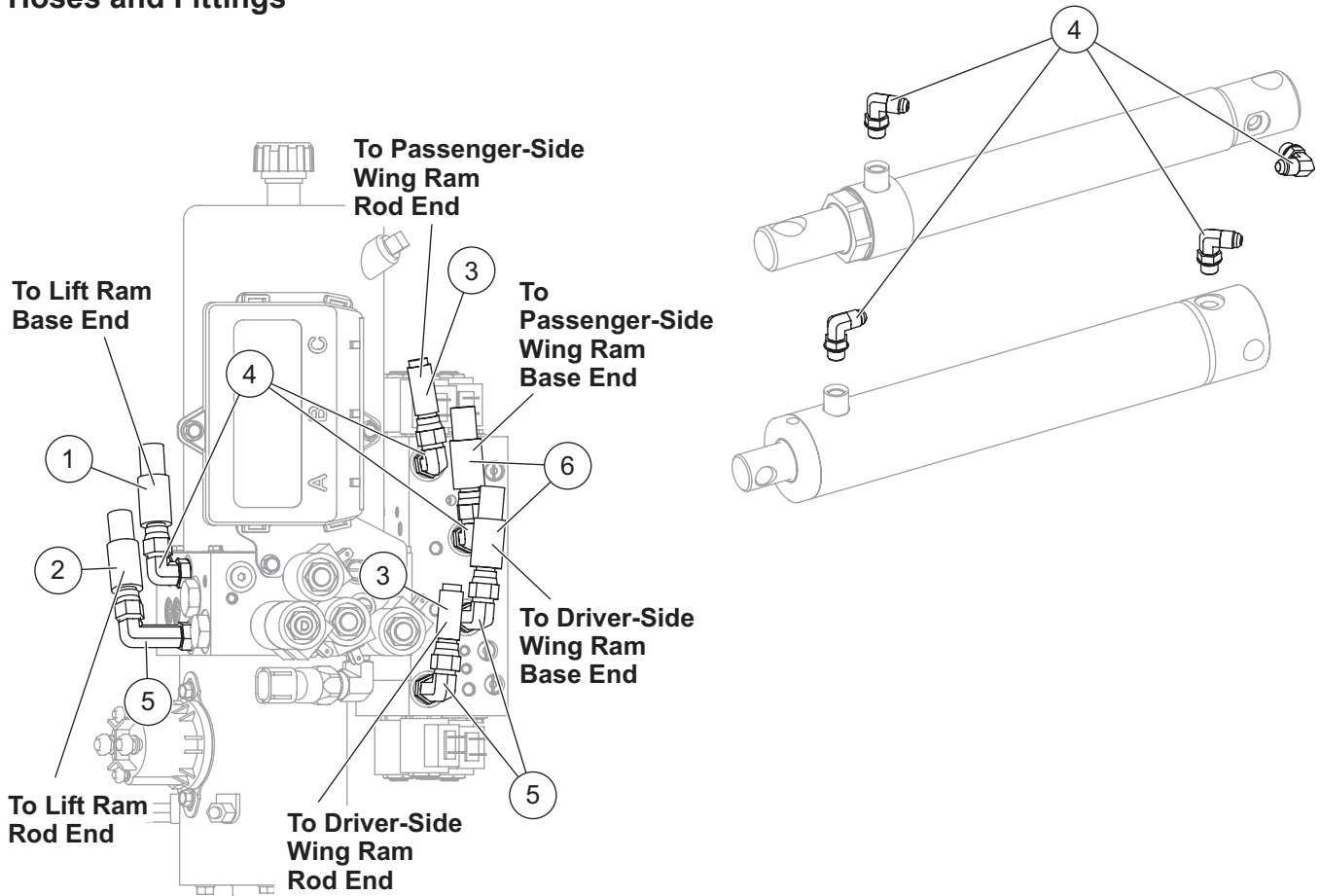


52635 Ram Assembly 1-3/4 x 11 DA			
Item	Part	Qty	Description
1	48985	1	Gland Assembly 1-1/2
2	84832	1	Seal Kit 1-3/4 DA Ram
3	84906	1	Label – Logo, Double-Acting Cylinder

Go to www.snowexproducts.com for hydraulic unit service information and specifications.

HYDRAULIC AND ELECTRICAL COMPONENTS

Hoses and Fittings

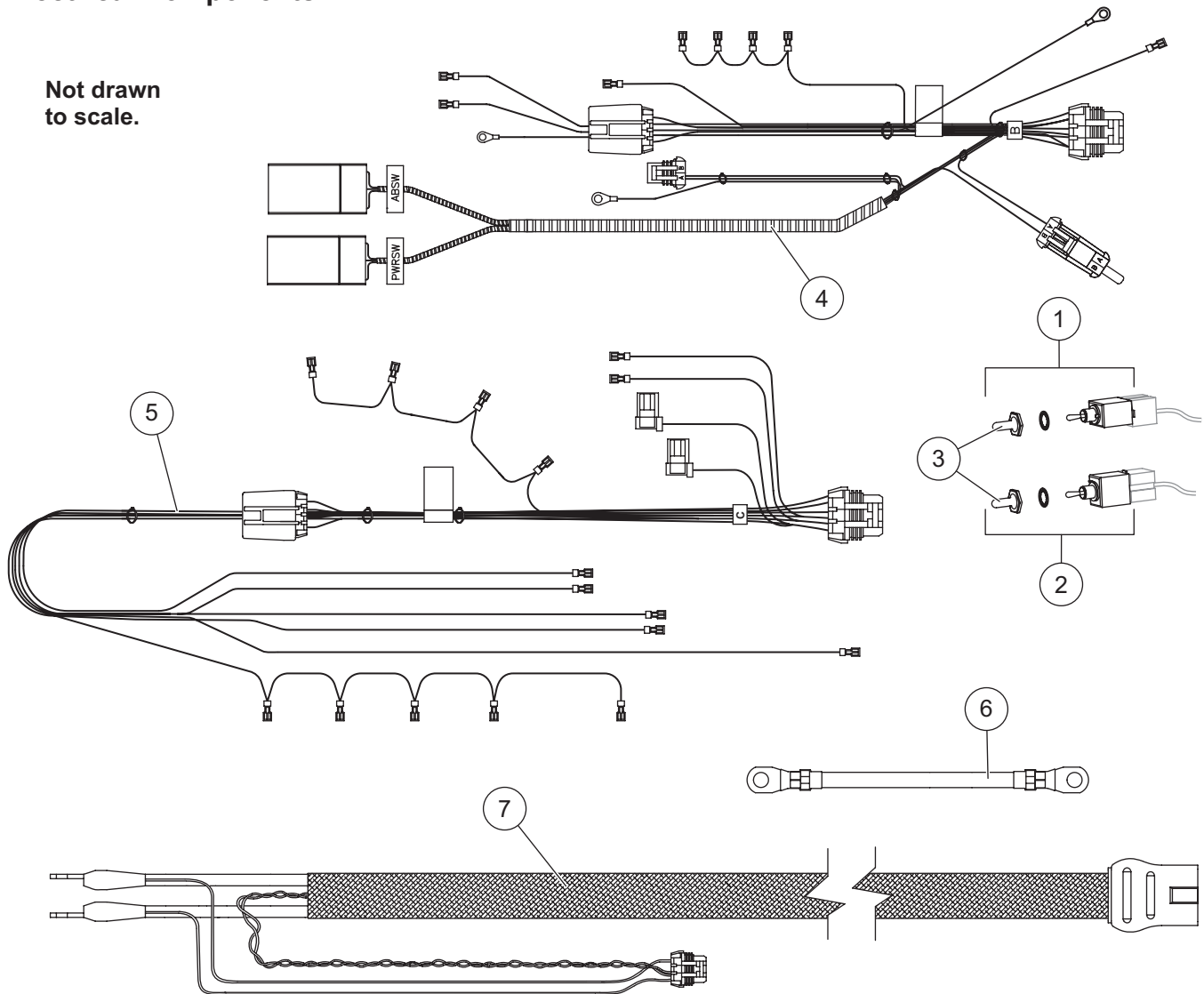


Hoses and Fittings							
Item	Part	Qty	Description	Item	Part	Qty	Description
1	84926	1	Hose, 3/8 x 14 w/F JIC Ends	5	40572	3	Elbow, Extra Long 90° -6 M JIC/ -6 M ORB
2	84897	1	Hose, 3/8 x 26 w/F JIC Ends	6	85104	2	Hose, 3/8 x 67 w/F JIC Ends
3	85107	2	Hose, 1/4 x 67 w/F JIC Ends	ns	56823	4	Hose Wrap
4	56615-1	9	Elbow, 90° -6 M JIC/-6 M ORB				
			F = Female			ns = not shown	M = Male

HYDRAULIC AND ELECTRICAL COMPONENTS

Electrical Components

Not drawn to scale.



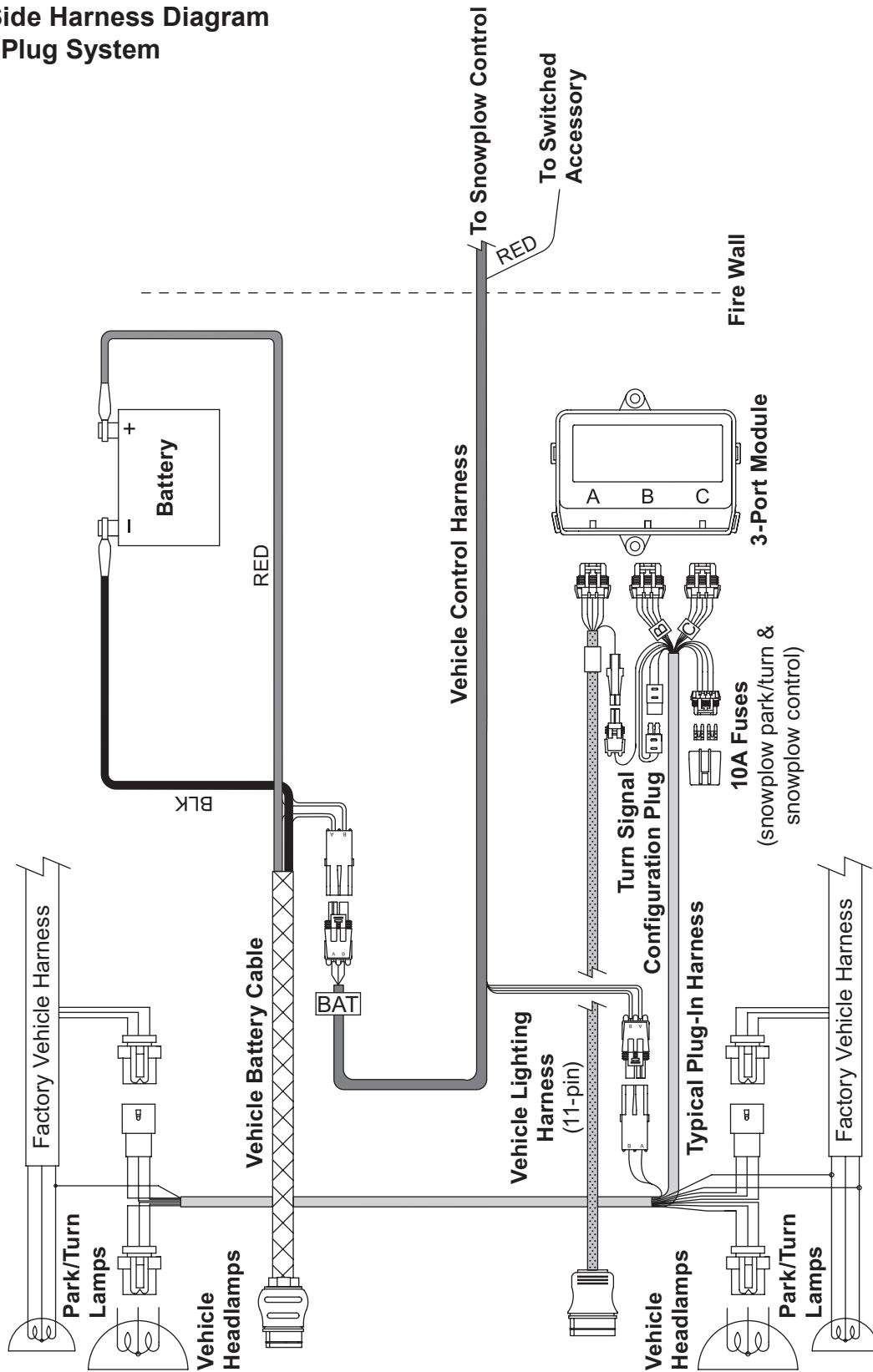
Plow control module is shown with hydraulic unit; cable boot shown on Headgear Assembly page.

Plow-Side Electrical Components							
Item	Part	Qty	Description	Item	Part	Qty	Description
1	40575	1	Toggle Switch (MOM-ON, OFF, ON)	5	52563	1	Harness Plow Control, 9-Coil
2	40576	1	Toggle Switch (MOM-ON, OFF, MOM-ON)	6	29071	1	Cable Assembly 8"
3	48259	2	Switch Boot	7	52291	1	Plow Battery Cable
4	52108	1	Harness Plow Control, 4-Coil	ns		4	Fuse, 5A Mini Automotive-Style (for items 4 and 5)
Vehicle-Side Electrical Components							
*	72527	1	Vehicle Battery Cable	ns	48325	2	Plug Cover
*	28587	1	Vehicle Control Harness				
ns = not shown							

* For diagram see Vehicle-Side Harness Diagram.

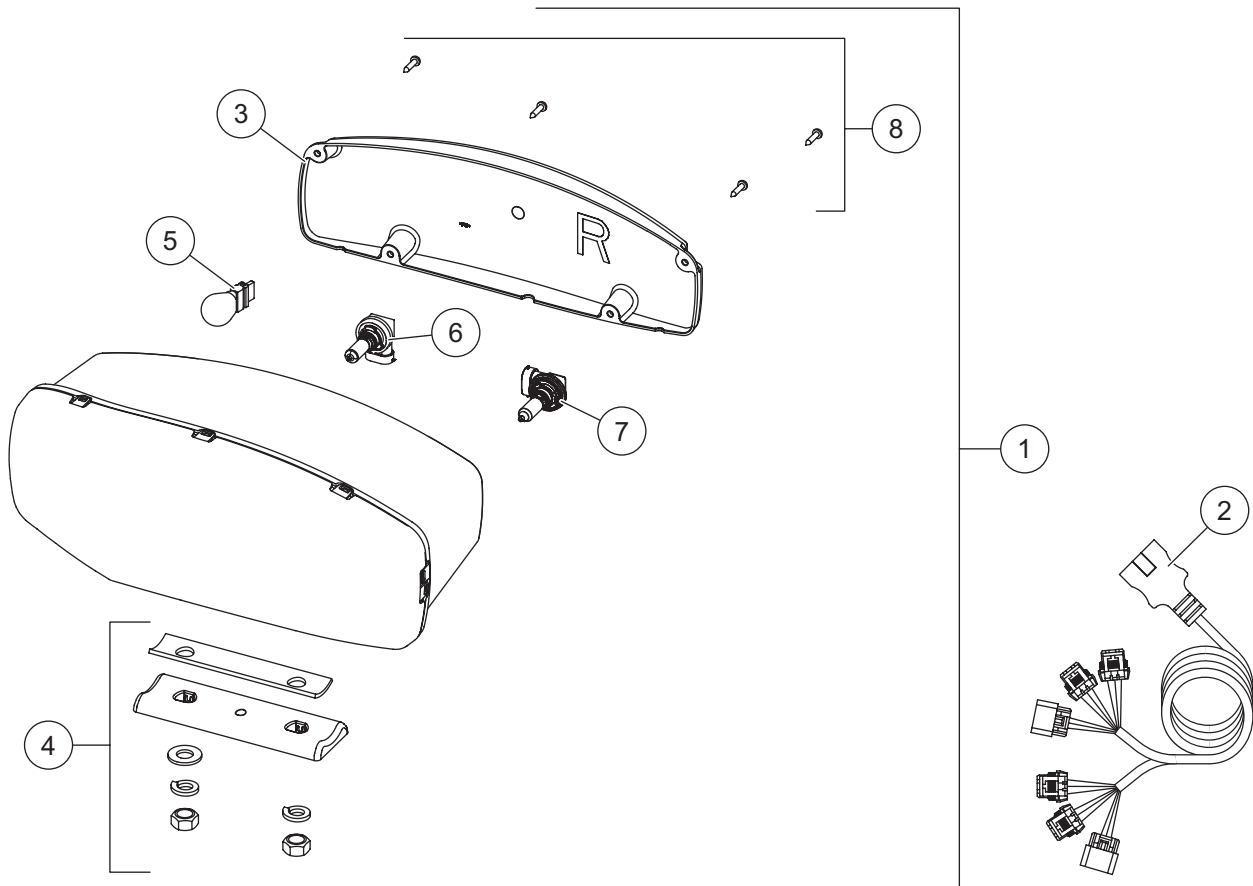
VEHICLE-SIDE HARNESS DIAGRAM

Vehicle-Side Harness Diagram
3-Port, 2-Plug System



HEADLAMP KIT

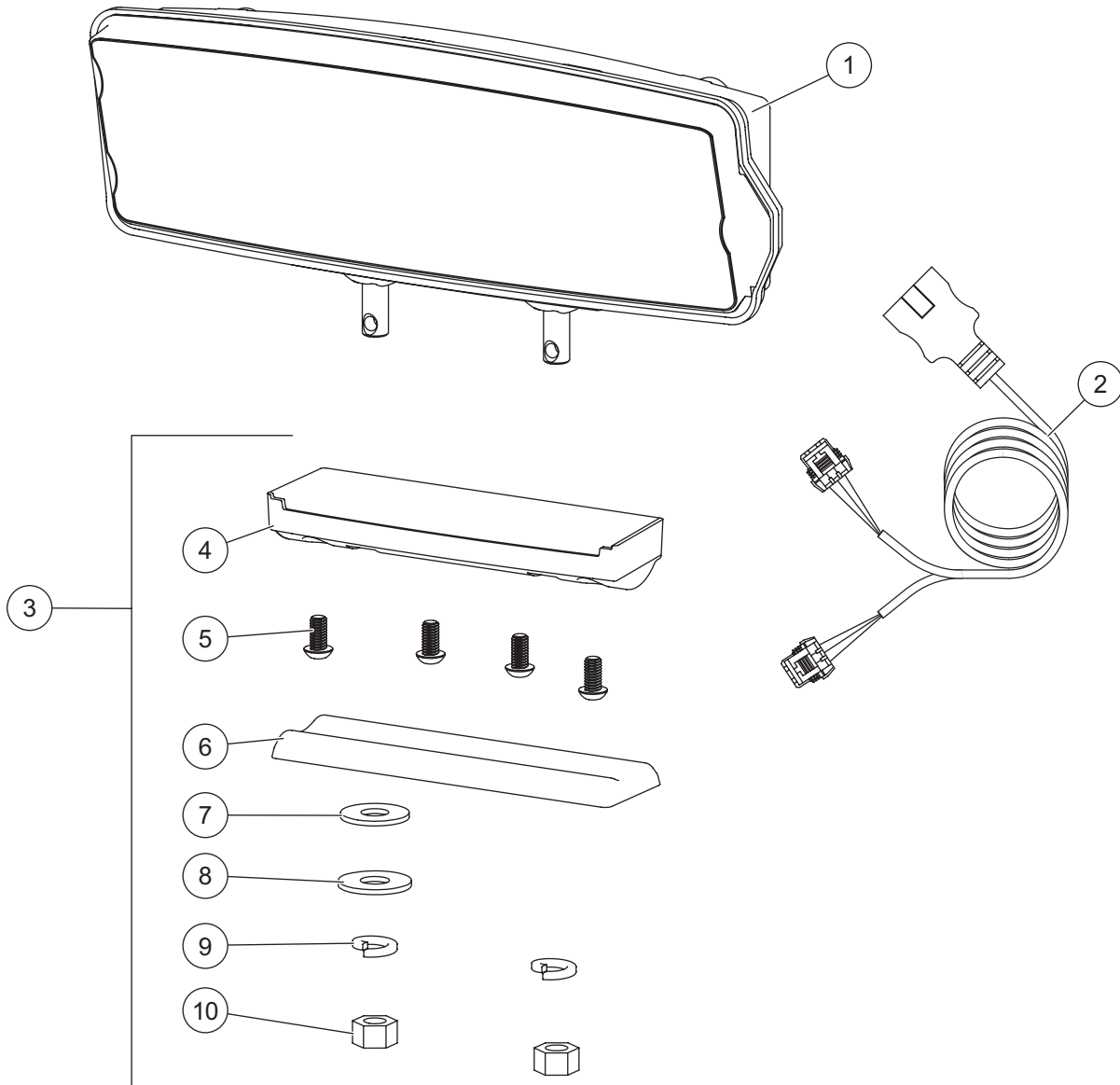
Headlamp Kit – Halogen



38800 Headlamp Kit H9/H11 (pair)							
Item	Part	Qty	Description	Item	Part	Qty	Description
1	38802	1	Headlamp Service Kit H9/H11 – PS	2	38807	1	Harness Service Kit H9/H11
ns	38801	1	Headlamp Service Kit H9/H11 – DS				
Item 1	38801/38802 Headlamp Service Kit H9/H11 – PS/DS						
3	38803	1	Rear Cover Kit H9/H11 – PS	6	38811	1	Headlamp Bulb Service Kit H11
ns	38812	1	Rear Cover Kit H9/H11 – DS	7	38809	1	Headlamp Bulb Service Kit H9
4	38804	1	Mounting Hardware Kit H9/H11	8	38808	1	Cover Screws Service Kit H9/H11 (pkg of 4)
5		1	Park/Turn Bulb (trade no. 4157NAK)				
ns = not shown							

HEADLAMP KIT

Headlamp Kit – LED



Headlamp Kit LED							
Item	Part	Qty	Description	Item	Part	Qty	Description
1	39901	1	Headlamp Service Kit LED – DS	3	39903	1	Mounting Hardware Kit LED
ns	39902	1	Headlamp Service Kit LED – PS	ns	72512	1	LED Harness Connector Cover (pkg of 2)
2	72548	1	Harness Service Kit LED	Item 3 39903 Mounting Hardware Kit LED			
4		1	Plastic Casing	8		1	1/2 Flat Washer
5		4	1/4 Button Cap Screw	9		2	1/2 Lock Washer
6		1	Headlamp Swivel	10		2	1/2 Hex Nut
7		1	1/2 Rubber Washer	ns		1	Metal Insert

ns = not shown



TrynEx International, LLC
531 Ajax Drive
Madison Heights, MI 48071-2429
www.snowexproducts.com

 A DIVISION OF DOUGLAS DYNAMICS, LLC

Copyright © 2026 Douglas Dynamics, LLC. All rights reserved. This material may not be used, reproduced, or copied in any manner, in whole or in part, in any printed, mechanical, electronic, film, or other distribution and storage media, nor analyzed or manipulated in any manner for the purpose of training artificial intelligence technologies or systems, without the written consent of TrynEx International, LLC. In accordance with Article 4(3) of the Digital Single Market Directive 2019/790, TrynEx International expressly reserves this work from the text and data mining exception. Authorization to photocopy items for internal or personal use by TrynEx International outlets or equipment owner is granted.

TrynEx International reserves the right under its product improvement policy to change construction or design details and furnish equipment when so altered without reference to illustrations or specifications used. TrynEx International or the vehicle manufacturer may require or recommend optional equipment for snow removal. Do not exceed vehicle ratings with a snowplow. TrynEx International offers a limited warranty for all equipment and accessories. See separately printed page for this important information. The following are registered (®) or unregistered (™) trademarks of Douglas Dynamics, LLC: Automatix®, HDV™, Scrape Maxx™, SECURITY GUARD™, SnowEx®.

Printed in U.S.A.