



74800, 74800-3, 74800-4, 74810, 74850, 79810  
**Fisher Engineering** 79850, 87800, 87800-3, 87800-4

50 Gordon Drive, Rockland, Maine 04841-2139 • www.fisherplows.com

December 15, 2021  
Lit. No. 85502, Rev. 13



## Blade and Off-Truck Kit

XLS™ Snowplow‡

Parts List

‡ Snowplows with serial numbers beginning with 180210 and higher.

A DIVISION OF FISHER, LLC



**XLS™ BLADE COMPONENTS** ..... 4

**XLS OFF-TRUCK KITS** ..... 6

    Headgear and A-Frame Components ..... 6

    Hydraulic Unit Components ..... 8

    Hydraulic Unit Cover Assembly ..... 10

    Lift and Angle Rams Components ..... 11

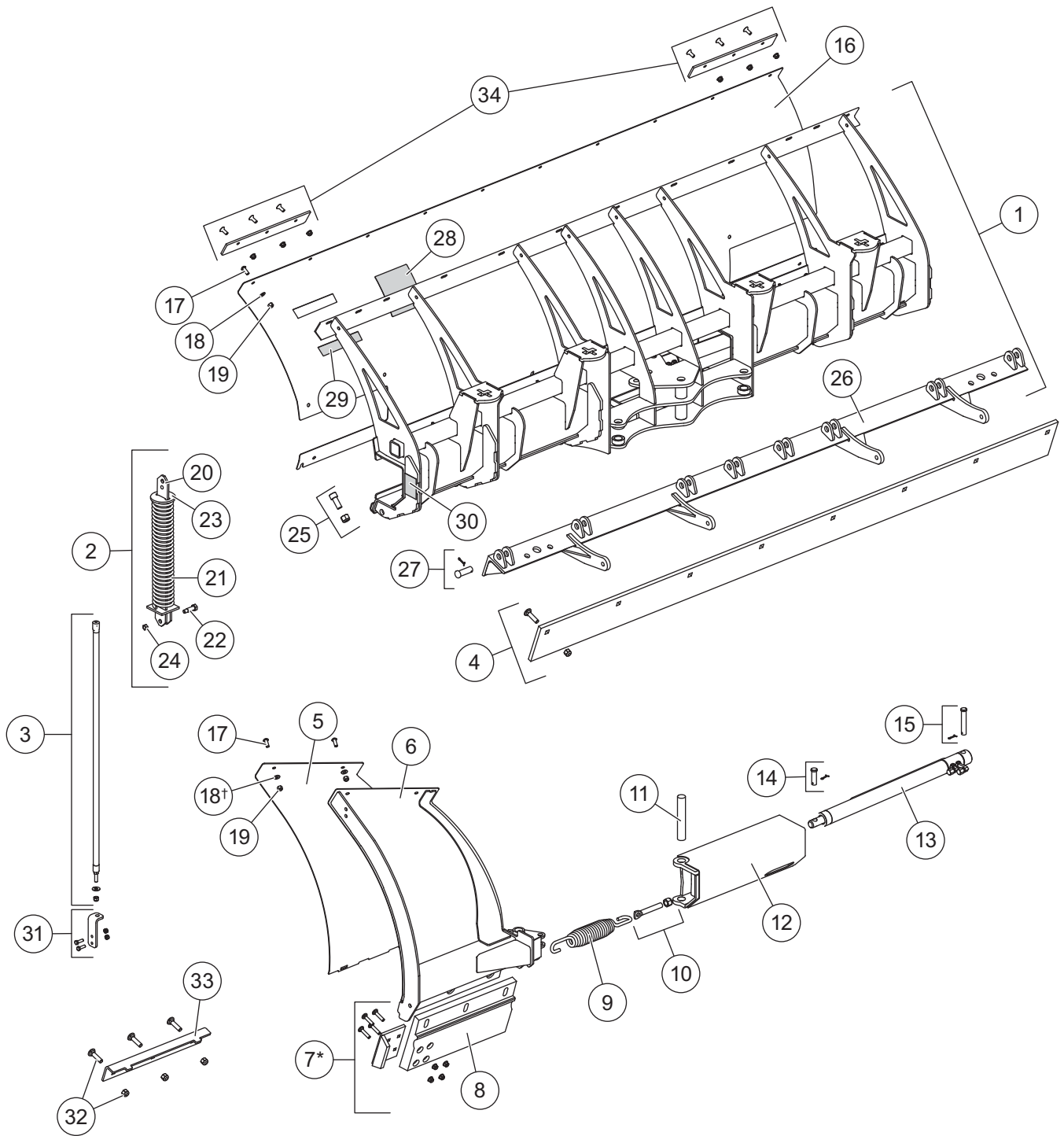
    Hoses and Fittings ..... 11

    Electrical Components ..... 12

    Vehicle-Side Harness Diagram – 3-Port, 2-Plug Systems ..... 13

    Headlamp Kits ..... 14

XLS™ Blade Components



\* Does not include retainer bar (item 33).

**74800, 74800-3, 74800-4, 74810, 74850, 79810, 79850, 87800, 87800-3, 87800-4**

XLS™ Blade Components							
Item	Part	Qty	Description	Item	Part	Qty	Description
1	81573	1	XLS Blade Frame – 810	15	50653	2	5/8 x 3-1/2 Pin Kit
	81562	1	XLS Blade Frame – 8611	16	81576	1	Blade Moldboard Kit, SS – 810
2	51600	4	Spring Assembly Kit (incl. items 20–24)	81566	1	Blade Moldboard Kit, SS – 8611	
				81575	1	Blade Moldboard Kit, MS – 810	
3	27195	2	Flexible Blade Guide Kit, 26"	81565	1	Blade Moldboard Kit, MS – 8611	
4	50678	1	1/2 Cutting Edge Kit (w/hardware) – 810	17	98035 <sup>†</sup>	22	3/8-16 x 1 Button Cap Screw SS
	5533	1	1/2 Cutting Edge Kit (w/hardware) – 8611	D6452 <sup>‡</sup>	22	3/8-16 x 1 Button Cap Screw w/Flange	
5	81578	1	PS Wing Moldboard Kit, SS – 810	18	29233 <sup>†</sup>	22	3/8 Flat Washer
	81568	1	PS Wing Moldboard Kit, SS – 8611	19	95410 <sup>†</sup>	22	3/8-16 Locknut Brass
	81577	1	PS Wing Moldboard Kit, MS – 810	28940 <sup>‡</sup>	22	3/8-16 Locknut GF Flange	
	81567	1	PS Wing Moldboard Kit, MS – 8611	20	51590	4	Spring Bar
	81580	1	DS Wing Moldboard Kit, SS – 810	21	50663	4	Trip Spring
	81570	1	DS Wing Moldboard Kit, SS – 8611	22	91000	4	1/2 x 1-5/8 Hex Shoulder Bolt G5
	81579	1	DS Wing Moldboard Kit, MS – 810	ns	20181	4	1/4 x 1-1/4 Pin
	81569	1	DS Wing Moldboard Kit, MS – 8611	23	20191	4	Removable Spring Disk
6	81552	1	DS Blade Wing, XLS – 810	24	90353	4	7/16-14 Hex Locknut GB
	81554	1	PS Blade Wing, XLS – 810	25	50661	2	Stop Bolt Kit
	81557	1	DS Blade Wing, XLS – 8611	26	81572	1	Base Angle – 810
	81559	1	PS Blade Wing, XLS – 8611	81561	1	Base Angle – 8611	
7	80259*	1	Flared Wing Poly Edge Kit – 810 (pair)	27	84844	8	3/4 x 2-3/16 Machine Pin w/Cotter
	80243*	1	Flared Wing Poly Edge Kit – 8611 (pair)	28	59900	1	Label – Warning/Caution, Snowplows
8	81082	1	DS Urethane Edge – 810	29	26211	1	Label – Logo, STORM GUARD™
	81083	1	PS Urethane Edge – 810	30	29593	1	Label – Warning, Multiple Pinch Points
	81051	1	DS Urethane Edge – 8611	ns	92970	1	Label – Logo, XLS
	81052	1	PS Urethane Edge – 8611	ns	20238	1	Label – Logo, FISHER® Splatter
9	50654	2	Wing Spring	ns	92982	1	Label – Design, DS Wing
10	50655	2	Eyebolt Kit	ns	92975	1	Label – Design, PS Wing
11	50660	2	Wing Pin	31	50646	1	Blade Guide Bracket Kit
				32	94802	1	Bolt Kit, Urethane Edge
12	81169	1	DS Blade Slide Box	33	81221	2	Retainer Bar – 810
	81170	1	PS Blade Slide Box		81255	2	Retainer Bar – 8611
13	77476	2	Ram Assy 1-1/2 x 13-15/16 DA – 810	34	77470	1	Wear Strip Kit – 810
	94491	2	Ram Assy 1-1/2 x 16-15/16 DA – 8611		77471	1	Wear Strip Kit – 8611
ns	43794	2	Combo Seal Kit, Wing Cylinder				
14	50651	2	5/8 x 2 Pin Kit				

ns = not shown      SS = Stainless Steel      MS = Mild Steel      G = Grade

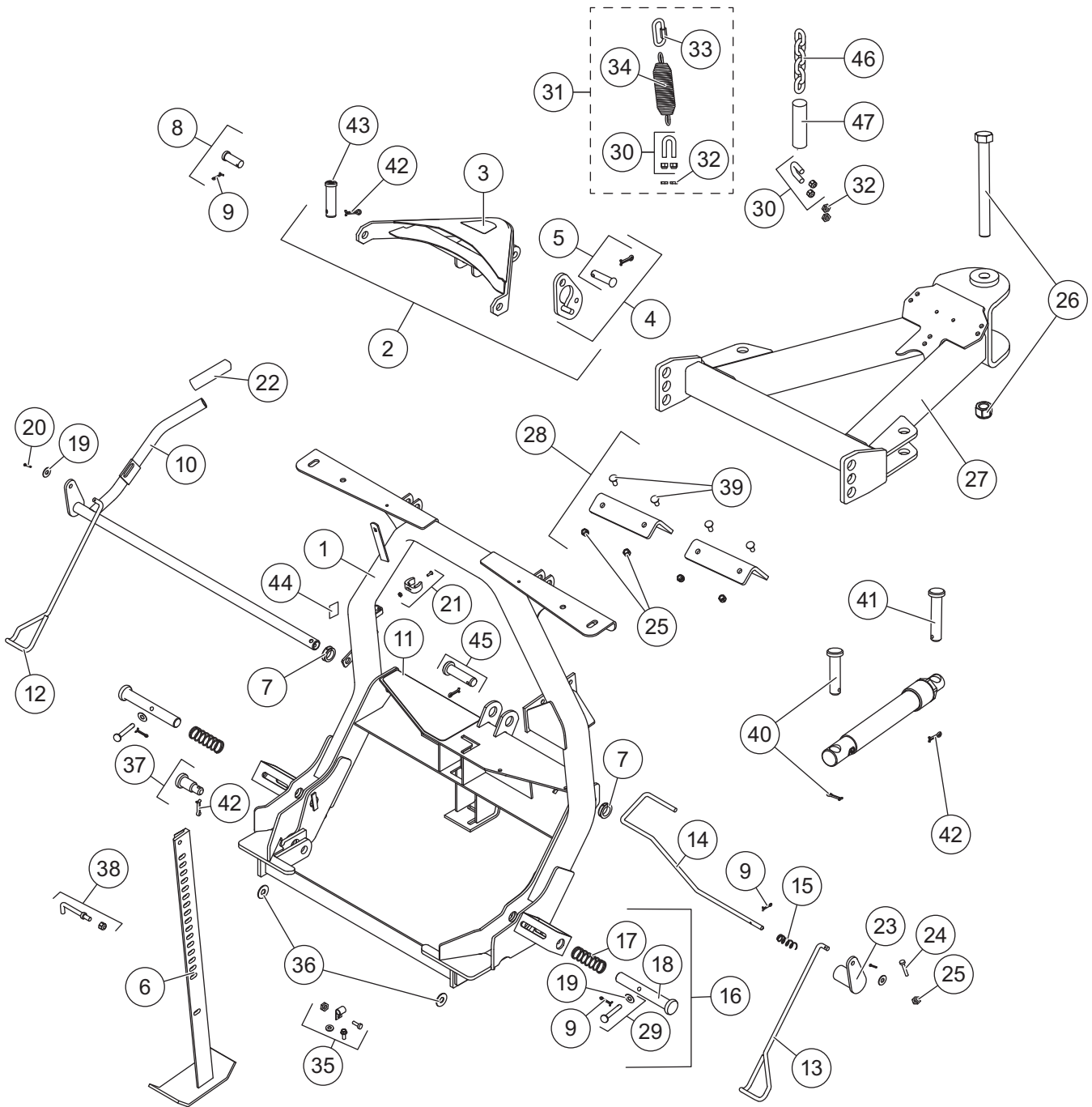
\* Includes steel curb guards w/hardware & backer bars. Does not include retainer bar (item 33).

<sup>†</sup> Used with stainless steel moldboards only.

<sup>‡</sup> Used with mild steel moldboards only.

XLS™ Blade – Accessories (not shown)			
810 Blades		8611 Blades	
Part	Description	Part	Description
52675	5/8 Cutting Edge Kit (w/hardware) – 810	52680	5/8 Cutting Edge Kit (w/hardware) – 8611
81701	1" Cutting Edge Kit Poly (w/hardware & backer bars) – 810	81702	1" Cutting Edge Kit Poly (w/hardware & backer bars) – 810
50628-1	Rubber Deflector Kit – 810	81997	Rubber Deflector Kit – 8611
50700	Shoe Kit	50700	Shoe Kit
51996-1	Back Drag Edge Kit – 810	51997-1	Back Drag Edge Kit – 8611

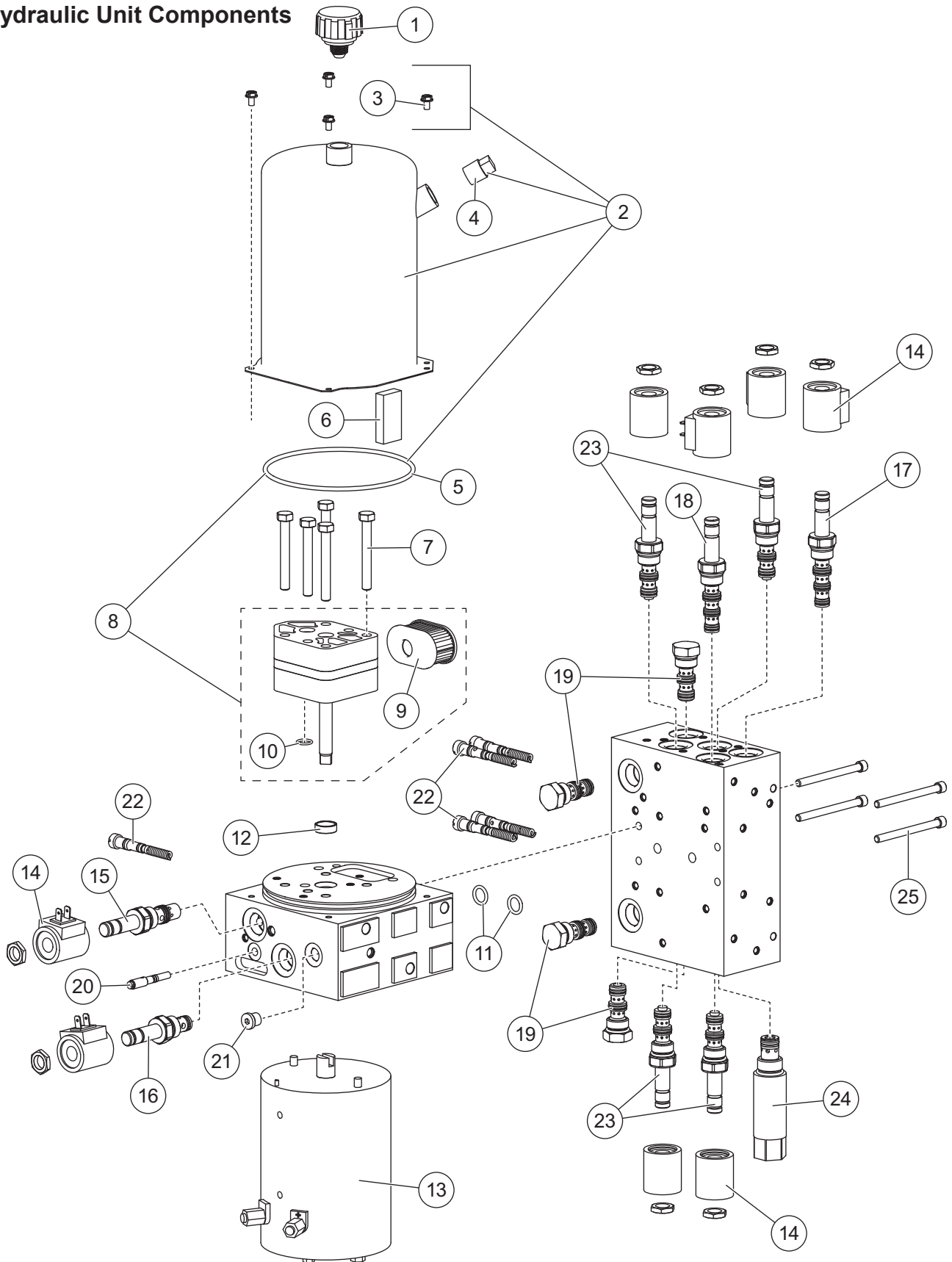
### Headgear and A-Frame Components



**74800, 74800-3, 74800-4, 74810, 74850, 79810, 79850, 87800, 87800-3, 87800-4**

<b>XLS™ Headgear and A-Frame Components</b>							
<b>Item</b>	<b>Part</b>	<b>Qty</b>	<b>Description</b>	<b>Item</b>	<b>Part</b>	<b>Qty</b>	<b>Description</b>
1	44558-2	1	Headgear	24	90043	1	3/8-16 x 2 Hex Cap Screw G5
2	28350-2	1	Lift Arm Service Kit (yellow)	25	91333	1	3/8-16 Hex Locknut GB
	27560-2	1	Lift Arm Service Kit (silver)	26	50668	1	Pivot Bolt Kit
3	26777	1	Label – Nameplate, Minute Mount® 2	27	50669	1	A-Frame Kit
4	28991	1	Stop Link Kit	28	86847	1	Stacking Stops Kit
5	29037	1	5/8 x 2-5/8 Clevis Pin w/Cotter	29	26219	2	3/8 x 3-1/4 Clevis Pin Kit
6	27462	1	Jack	30	A6148K	3	U-Bolt Assembly Packet
7	27163K	1	Bushing Kit (pkg of 2)	31	49521	1	Spring/U-Bolt/Link Kit
8	4289K	2	3/4 x 1-7/8 Machine Pin Packet	32	91413	2	3/8-16 Hex Locknut G5
9	90658	5	5/32 x 1-1/4 Cotter Pin	33	68340	1	Quick Link
10	27468	1	Handle, Link Arm Assembly	34	27074	1	Spring
11	27451	1	Label – Attach/Detach, MM2 Headgear	35	27172K	1	Clamp Loop Kit
12	27166K	1	Wire Cam Kit – DS	36	91192	2	1-3/4 Round Flat Washer
13	27167K	1	Wire Cam Kit – PS	37	27177K	2	Step Pin Kit
14	27478	1	Jack Lock	38	27164K	1	Handle Kit
15	27461	1	3/4 OD x 3-1/2 Compression Spring	39	90201	4	3/8-16 x 1 Carriage Bolt G5
16	27168K	2	Connecting Pin Kit	40	7903K	2	1 x 4-1/16 Anchor Pin Packet w/Cotter
17	821	2	1" ID x 3-1/2 Compression Spring	41	22260	2	1 x 4-3/4 Clevis Pin
18	26833	2	1 x 6-15/16 Pin	42	90601	2	1/4 x 1-1/2 Cotter Pin
19	90315	4	3/8 Flat Washer Type A Wide	43	95720	2	1 x 3-5/16 Clevis Pin HT
20	91902	1	1/8 x 1 Cotter Pin	44	69689	1	Label – Logo, SECURITY GUARD™
21	27162K-1	1	Stop Clip Kit	45	43603	1	1 x 3-3/4 Clevis Pin Kit
22	27535	1	Handle Cover Kit	46	26999-1	1	5/16 Grade 43 Chain Bag
23	27465	1	Link Arm	47	51110	2	Shrink Tube, 1" ID
<b>Item 2</b>	<b>28350-2 (yellow) / 27560-2 (silver) Lift Arm Service Kit</b>						
	1	1	Lift Arm, Heavy Duty	42	90601	2	1/4 x 1-1/2 Cotter Pin
3	26777	1	Label – Nameplate, Minute Mount 2	43	95720	2	1 x 3-5/16 Clevis Pin HT
4	28991	1	Stop Link Kit				
<b>Item 4</b>	<b>28991 Stop Link Kit</b>						
	1	1	Stop Link	5	29037	1	5/8 x 2-5/8 Clevis Pin w/Cotter
<b>Item 8</b>	<b>4289K 3/4 x 1-7/8 Machine Pin Packet</b>						
	1	1	3/4 x 2 Pin	9	90658	1	5/32 x 1-1/4 Cotter Pin
<b>Item 16</b>	<b>27168K Connecting Pin Kit</b>						
17	821	1	1" ID x 3-1/2 Compression Spring	29	26219	1	3/8 x 3-1/4 Clevis Pin Kit
18	26833	1	1 x 6-15/16 Pin				
<b>Item 28</b>	<b>86847 Stacking Stops Kit</b>						
	50630	2	Stacking Stop	39	90201	4	3/8-16 x 1 Carriage Bolt G5
25	91333	4	3/8-16 Hex Locknut GB				
<b>Item 29</b>	<b>26219 3/8 x 3-1/4 Clevis Pin Kit</b>						
	1	1	3/8 x 3-1/4 Clevis Pin	19	90315	1	3/8 Flat Washer Type A Wide
9	90658	1	5/32 x 1-1/4 Cotter Pin				
<b>Item 31</b>	<b>49521 Spring/U-Bolt/Link Kit</b>						
30	A6148K	1	U-Bolt Assembly Packet	33	68340	1	Quick Link
32	91413	2	3/8-16 Hex Nut G5	34	27074	1	Spring
<b>Item 37</b>	<b>27177K Step Pin Kit</b>						
	26845	1	Step Pin	42	90601	1	1/4 x 1-1/2 Cotter Pin
	ns = not shown			HT = Heat Treated			G = Grade

Hydraulic Unit Components



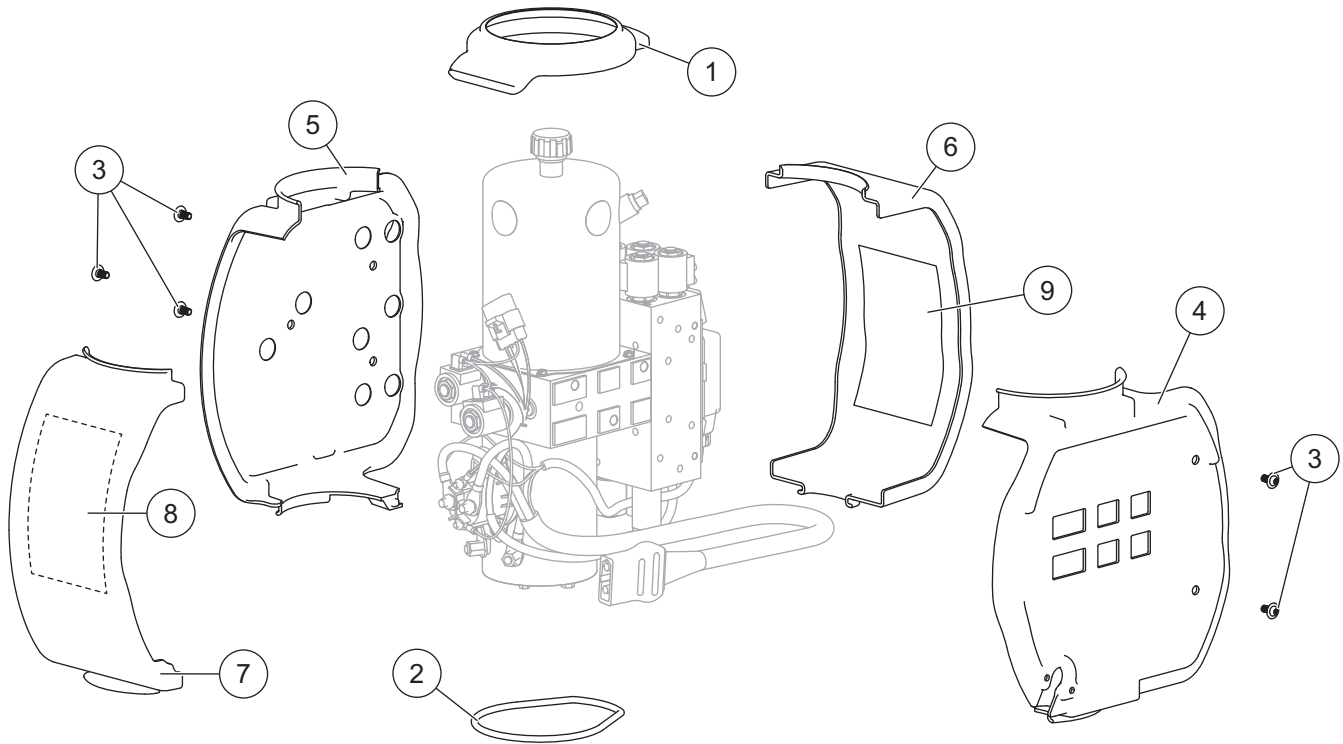


**74800, 74800-3, 74800-4, 74810, 74850, 79810, 79850, 87800, 87800-3, 87800-4**

49451 Hydraulic Unit Components – XLS™							
Item	Part	Qty	Description	Item	Part	Qty	Description
1	21727-2	1	Breather Pressure Control	17	49453	1	Valve, SV08-45 w/Nut
2	44327-3	1	Reservoir Kit	18	49457	1	Valve, SV08-41 w/Nut
3	66607	4	#10-24 x 5/16 Machine Screw	19	49459	4	Valve, PC08-30 w/Nut
4	92079	1	Plug, Square 3/8 NPTF	20	56662	1	Quill Assembly 5/16-24 Thread
5	66519	1	O-Ring 2-250		48517	1	Quill Assembly 1/2-20 Thread
6	73897	1	Magnet	21	44344	1	Plug, Hex Socket –4 M ORB
7	90080	5	5/16-18 x 2-1/2 Hex Cap Screw G5	22	7629K-4	2-1/2	Relief Valve Kit (2 sets)
8	44329-2	1	Pump Kit	23	7636K-1	4	Cartridge 30 w/Jam Nut
9	26781-4	1	Suction Filter	24	49463	1	Crossover Relief Valve – 4000 psi
10	56274	1	O-Ring -013	25	29081	4	1/4-20 x 3 Socket Cap Screw
11	55587	2	O-Ring -112	ns	29099	2	1/4-20 x 1/4 Hex Washer-Head Thread-Rolling Screw
12	66515	1	Pump Shaft Seal				
13	21500K-1	1	Motor Assembly, 4-1/2	ns	44326	1	1/4-20 x 1/2 6-Lobe Round Washer-Head Screw (pkg of 5)
14	7639K-2	8	Coil With Spade Terminals				
15	44331	1	Valve, SVCV08-20 w/Nut	ns	44355	2	1/4-20 x 5/8 Hex Washer-Head Thread-Rolling Screw
16	7634K-2	1	Valve, SV08-2004 w/Jam Nut				
<b>Item 2</b>				<b>44327-3 Reservoir Kit</b>			
		1	Reservoir	4	92079	1	Plug, Square 3/8 NPTF
3	66607	4	#10-24 x 5/16 Machine Screw	5	66519	1	O-Ring 2-250
<b>Item 8</b>				<b>44329-1 Pump Kit</b>			
5	66519	1	O-Ring 2-250	10	56274	1	O-Ring -013
9	26781-4	1	Suction Filter				
<b>O-Ring Service Kits</b>							
–	7632K-5**	–	Back-Up/O-Ring Kit	–	49259-2	–	Seal Kit, Valves SV08-30, -31, -33, -40, -41, -43, -45, SVCV08-20 & PC08-30
–	49258-2	–	Seal Kit, Valves SV08-2004, CV08-20, SF08-2015	–	49464	–	Seal Kit, Crossover Relief Valve
ns = not shown				M = Male		G = Grade	

\*\* Does not contain O-rings for cartridge valves.

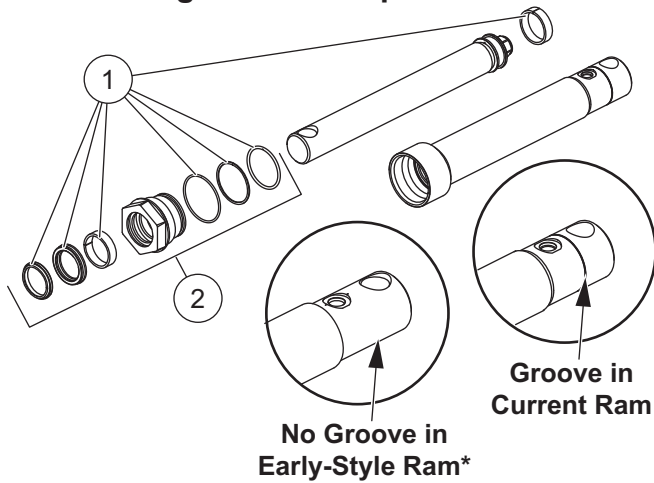
**Hydraulic Unit Cover Assembly**



49454 Hydraulic Unit Cover Assembly							
Item	Part	Qty	Description	Item	Part	Qty	Description
1	44352	1	Top Retainer Ring	6	44303	1	Cover, Side 3
2	44366	1	Bottom Retainer Ring	7	44304	1	Cover, Side 4
3	44326	5	1/4-20 x 1/2 6-Lobe Round Washer-Head Screw (pkg of 5)	8	44904	1	Label - Information, S1 & S2
4	44301	1	Cover, Side 1	9	44906	1	Label - Information, S5-S10
5	57302	1	Cover, Side 2	ns	92972	1	Label - Information, XLS™ Hydraulic
				ns	61536	1	Cable Tie, 14"

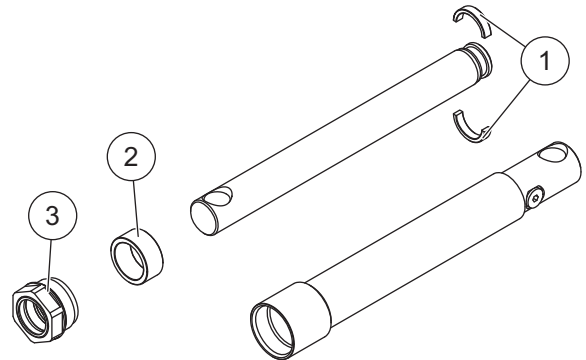
ns = not shown

### Lift and Angle Ram Components



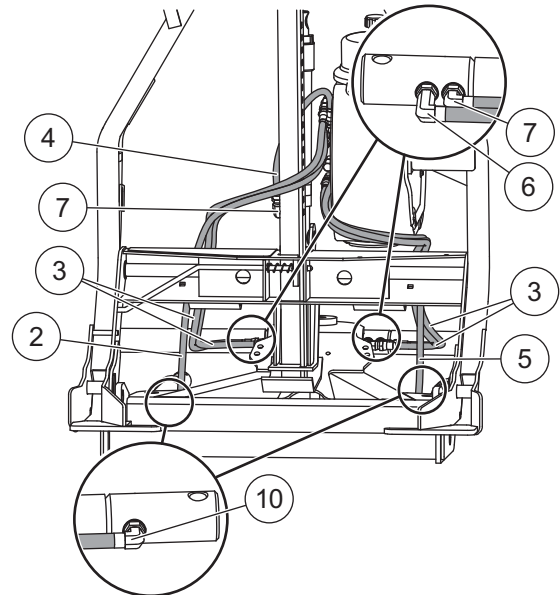
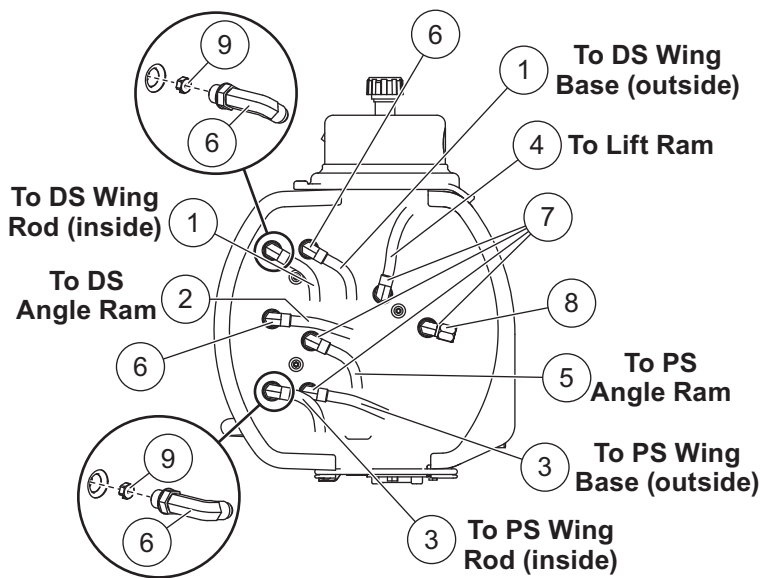
43132-1 Lift Ram Assembly 1-3/4 x 10			
Item	Part	Qty	Description
1	77924	1	Seal Kit
2	43135	1	Gland Nut Assembly

\* Early-style lift rams are obsolete and should be replaced with current-style lift ram.



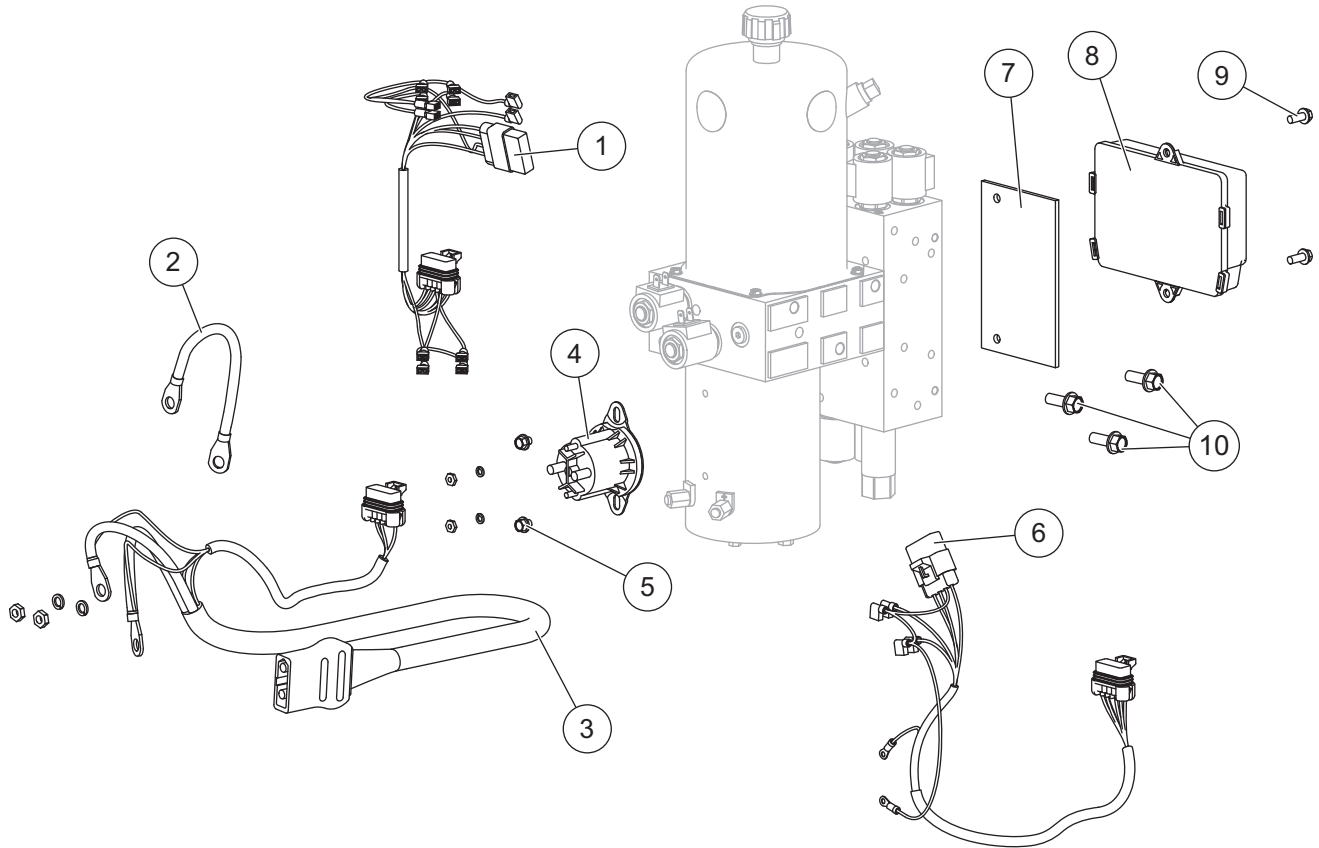
49461 Angle Ram Assembly 1-1/2 x 10			
Item	Part	Qty	Description
1	20118K	1	Split Bearing 1-1/2
2	56537	1	Spacer
3	48985	1	Gland Nut Assembly

### Hoses and Fittings



Hoses and Fittings									
Item	Part	Qty	Description	Item	Part	Qty	Description		
1	44868	2	Hose, 3/8 x 60 w/F JIC Ends	7	56615-1	7	Elbow, 90° -6 M JIC/-6 M ORB		
2	44316	1	Hose, 3/8 x 45 w/F JIC Ends	8	44345	1	Drain Cap, -6 F JIC		
3	44867	2	Hose, 3/8 x 57 w/F JIC Ends	9	49465	2	Orifice Kit		
4	56754	1	Hose, 1/4 x 18 w/F JIC Ends	10	77929	2	Elbow, 90° -6 M JIC/-6 M ORB w/Screen		
5	44348	1	Hose, 3/8 x 42 w/F JIC Ends	ns	56823	6	Hose Wrap, Polyethylene		
6	44361	6	Elbow, Extra Long 90° -6 M JIC/-6 M ORB	ns	B63263	4	Label - Warning, Hose Install		
			F = Female				ns = not shown	M = Male	

**Electrical Components**

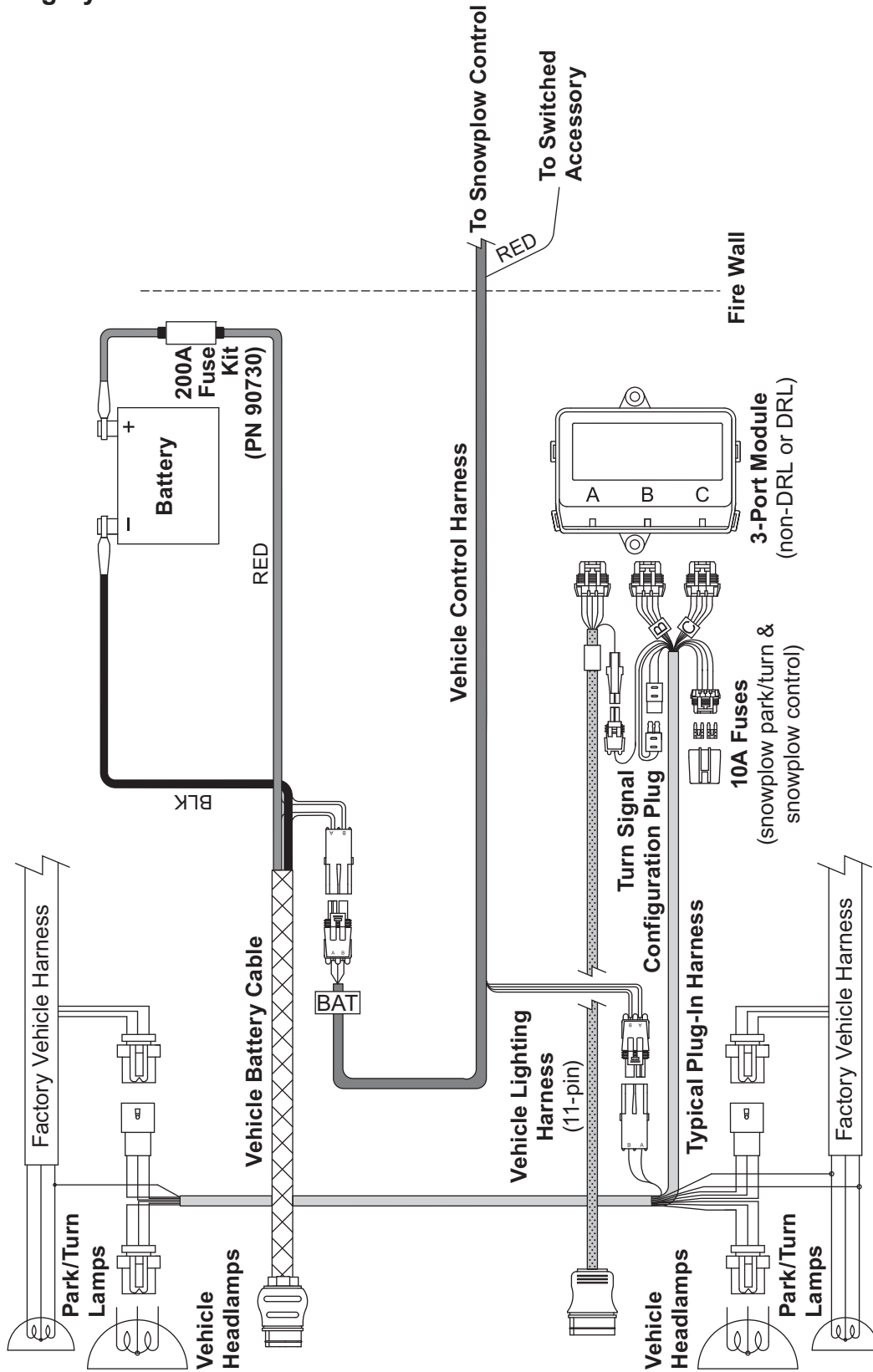


Plow-Side Electrical Components							
Item	Part	Qty	Description	Item	Part	Qty	Description
1	29471	1	Plow Control Harness, 6-Solenoid	9	44355	2	1/4-20 x 5/8 Hex Washer-Head Thread-Rolling Screw
2	29071	1	Cable Assembly, 8"	10	72384-1	1	3/8-16 x 1 Serrated Flange Hex Cap Screw (pkg of 3)
3	42015	1	Snowplow Battery Cable	ns	8284K	1	Cable Boot
4	42901	1	Motor Relay Kit FLEET FLEX System	ns	8329K	2	Dielectric Grease (pkg of 2)
5	29099	2	1/4-20 x 1/4 Hex Washer-Head Thread-Rolling Screw	ns		4	Fuse, 4A Mini Automotive-Style (for items 1 and 6)
6	29461	1	Plow Control Harness, 2-Solenoid				
7	44308	1	Spacer Module				
8	44354-3	1	Plow Module				
Vehicle-Side Electrical Components							
§	72527	1	Vehicle Battery Cable	§	90730	1	200A Fuse Kit
§	28587	1	Vehicle Control Harness	ns	61548K	1	Plug Cover Kit

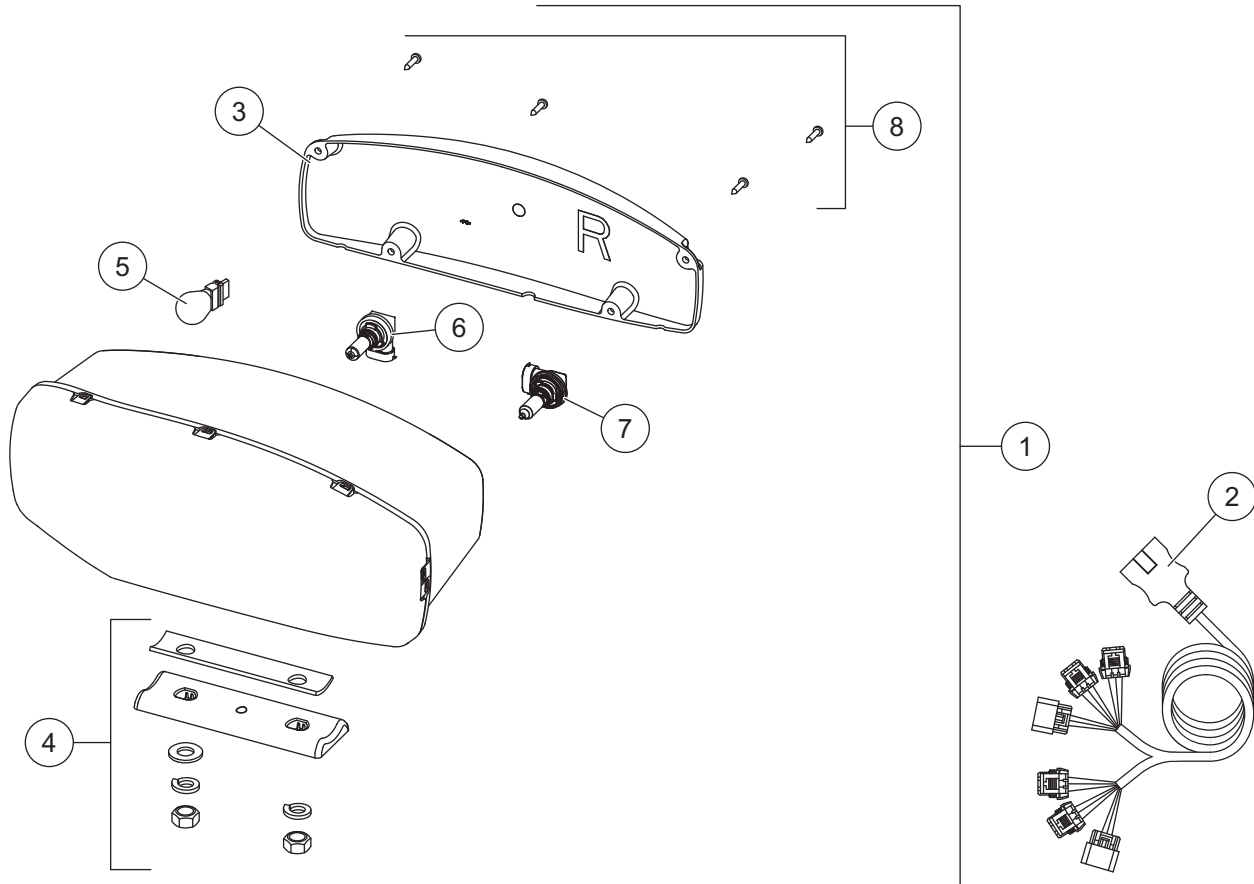
ns = not shown

§ For diagram see Vehicle-Side Harness Diagram – 3-Port, 2-Plug System.

**Vehicle-Side Harness Diagram  
3-Port, 2-Plug System**

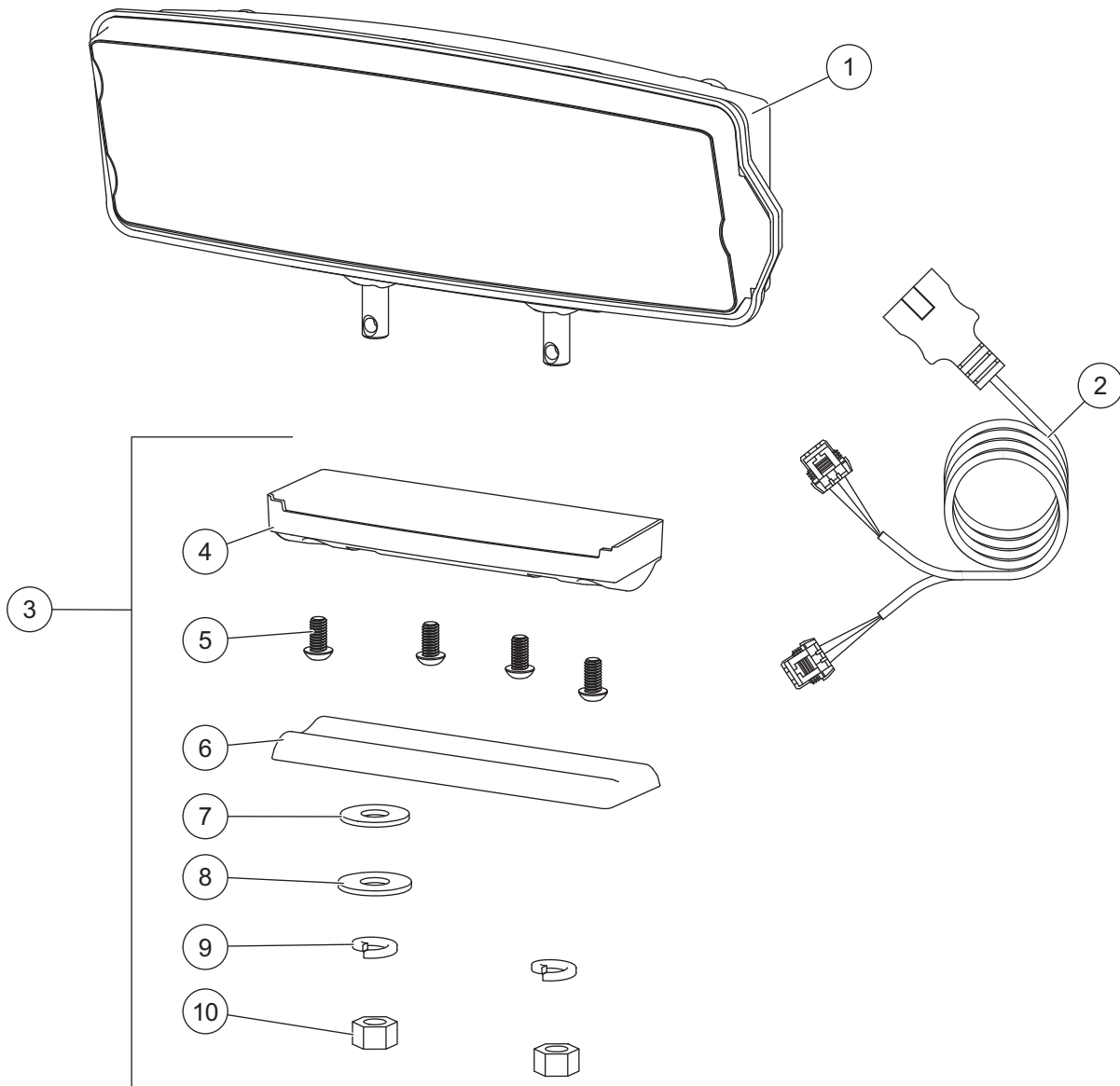


Headlamp Kit – Halogen



38800 Headlamp Kit H9/H11 (pair)							
Item	Part	Qty	Description	Item	Part	Qty	Description
1	38802	1	Headlamp Service Kit H9/H11 – PS	2	38807	1	Harness Service Kit H9/H11
ns	38801	1	Headlamp Service Kit H9/H11 – DS				
<b>Item 1</b>				<b>38801/38802 Headlamp Service Kit H9/H11 – PS/DS</b>			
3	38803	1	Rear Cover Kit H9/H11 – PS	6	38811	1	Headlamp Bulb Service Kit H11
ns	38812	1	Rear Cover Kit H9/H11 – DS	7	38809	1	Headlamp Bulb Service Kit H9
4	38804	1	Mounting Hardware Kit H9/H11	8	38808	1	Cover Screws Service Kit H9/H11 (pkg of 4)
5		1	Park/Turn Bulb (trade no. 4157NAK)				
ns = not shown							

Headlamp Kit – LED



Headlamp Kit LED							
Item	Part	Qty	Description	Item	Part	Qty	Description
1	39901	1	Headlamp Service Kit LED – DS	3	39903	1	Mounting Hardware Kit LED
ns	39902	1	Headlamp Service Kit LED – PS	ns	72512	1	LED Harness Connector Cover (pkg of 2)
2	72548	1	Harness Service Kit LED	<b>Item 3 39903 Mounting Hardware Kit LED</b>			
4		1	Plastic Casing	8		1	1/2 Flat Washer
5		4	1/4 Button Cap Screw	9		2	1/2 Lock Washer
6		1	Headlamp Swivel	10		2	1/2 Hex Nut
7		1	1/2 Rubber Washer	ns		1	Metal Insert

ns = not shown



Fisher Engineering  
50 Gordon Drive  
Rockland, ME 04841-2139  
[www.fisherplows.com](http://www.fisherplows.com)

**A DIVISION OF FISHER, LLC**

Copyright © 2021 Douglas Dynamics, LLC. All rights reserved. This material may not be reproduced or copied, in whole or in part, in any printed, mechanical, electronic, film, or other distribution and storage media, without the written consent of Fisher Engineering. Authorization to photocopy items for internal or personal use by Fisher Engineering outlets or snowplow owner is granted.

Fisher Engineering reserves the right under its product improvement policy to change construction or design details and furnish equipment when so altered without reference to illustrations or specifications used. Fisher Engineering or the vehicle manufacturer may require or recommend optional equipment for snow removal. Do not exceed vehicle ratings with a snowplow. Fisher Engineering offers a limited warranty for all snowplows and accessories. See separately printed page for this important information. The following are registered (®) or unregistered (™) trademarks of Douglas Dynamics, LLC: FISHER®, Minute Mount® 2, SECURITY GUARD™, STORM GUARD™, XLS™.

**Printed in U.S.A.**