



**HTS™ Snowplow**  
**Blade Assembly 69500**  
**Center Assembly 69525-1, 69525-3**  
**Parts List**





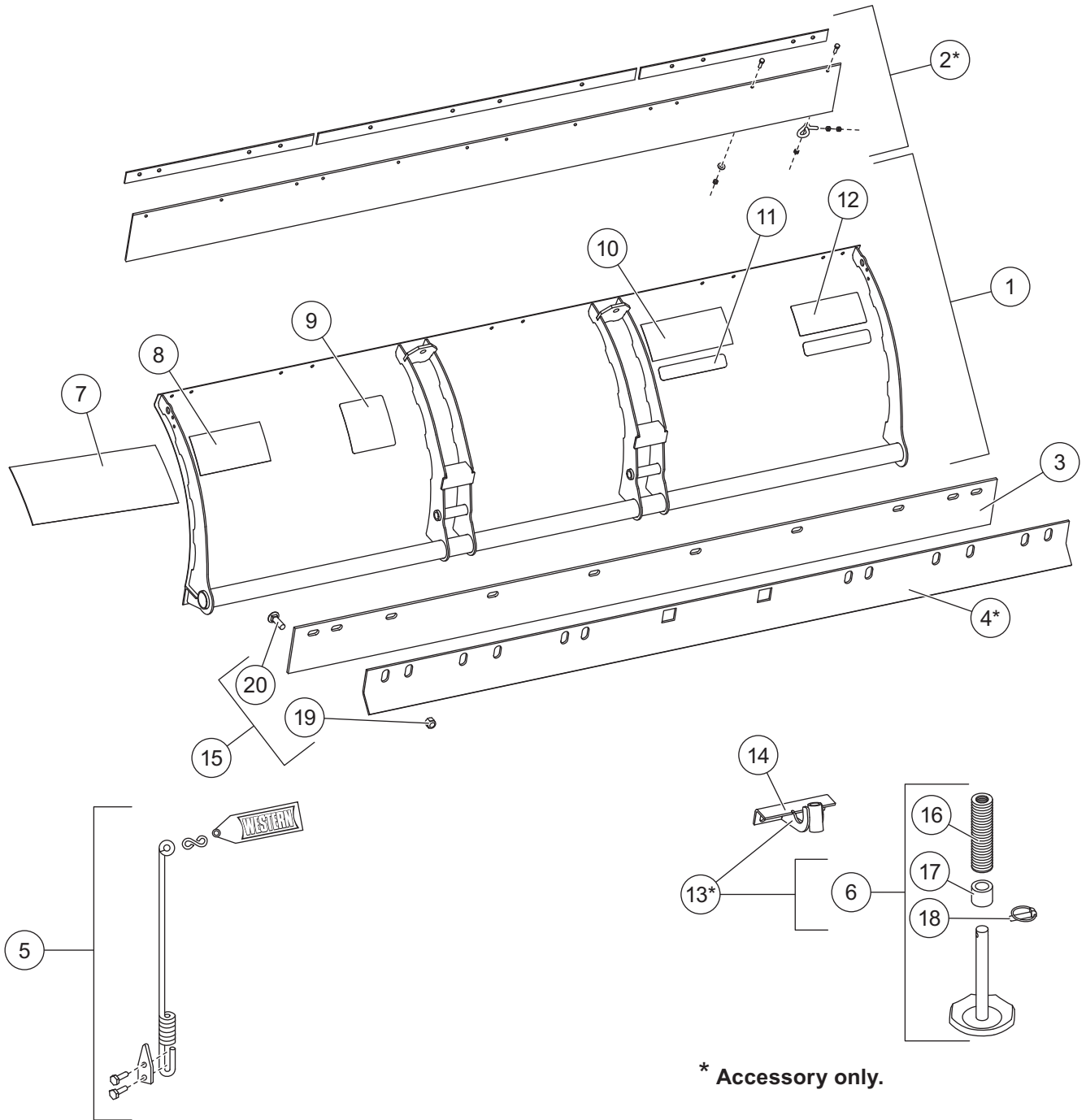
# TABLE OF CONTENTS

---

<b>HTS™ BLADE ASSEMBLY</b> .....	4
<b>HTS CENTER ASSEMBLY</b> .....	6
Lift Frame and A-Frame Components .....	6
Hydraulic Unit Components .....	8
Lift and Angle Ram Components.....	10
Hoses and Fittings .....	11
Electrical Components.....	12
Vehicle-Side Harness Diagram – 3-Port, 2-Plug Systems.....	13
Headlamp Kits.....	14–15

# HTS™ BLADE ASSEMBLY 69500

## Blade Components



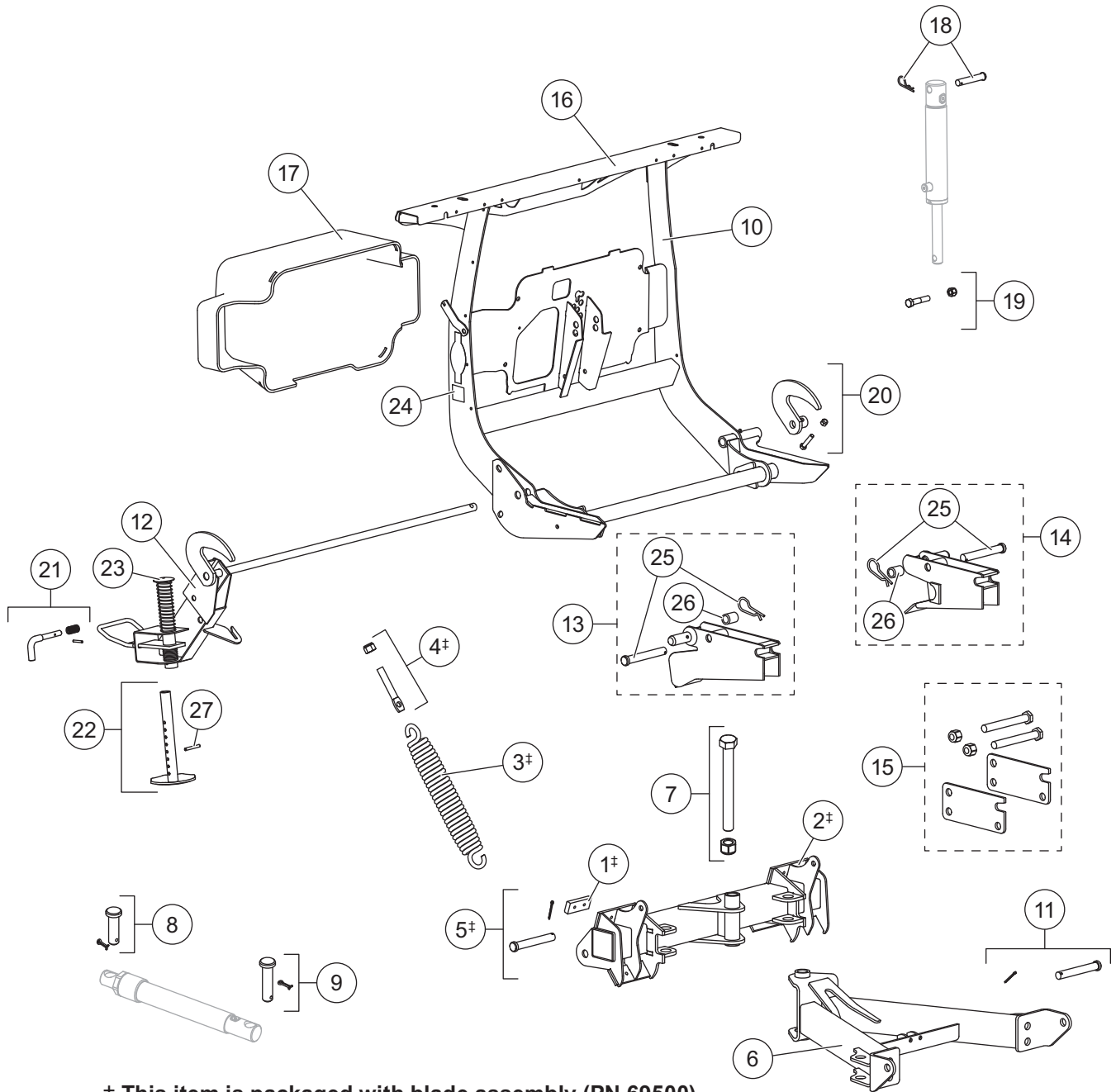
## HTS™ BLADE ASSEMBLY 69500

<b>69500 Blade Components</b>							
Item	Part	Qty	Description	Item	Part	Qty	Description
1	69490	1	7'6" Blade	10	94859	1	Label – Logo, HTS
2*	62123-1	1	Rubber Deflector Kit, 7'6"	11	28404	1	Label – Logo, ULTRAFINISH™
3	69505	1	5/16 x 6 x 90 Cutting Edge (w/o hardware)	12	44451	1	Label – Logo, WESTERN® 8.31
4*	64758	1	Back Drag Edge, 7'6"	ns	69499	1	Cutting Edge Assembly (w/hardware)
5	59700	1	Blade Guide & Flag Assembly Kit, 24"	13*	69570	1	Shoe Kit
6	49067	2	Disc Shoe Assembly	14	69455	2	Shoe Bracket
7	69489	1	Label – Logo, WESTERN Moldboard	15	69425	1	Cutting Edge Bolt Bag
8	69661	1	Label – Warning, Attach/Detach	16	91192	52	Round Flat Washer, Special
9	59900	1	Label – Warning/Caution, Snowplows	17	60045	2	Spacer
				18	93010K	2	7/16 x 1-3/4 Linchpin
<b>Item 5</b>				<b>59700 Blade Guide &amp; Flag Assembly Kit, 24"</b>			
	59691	2	Blade Guide Rod 24"		59946	2	Clamp
	59696	2	S-Hook		68494	4	5/16-18 x 1 Hex Cap Screw G5
	59694K	2	Blade Guide Flag		91332	4	5/16-18 Hex Locknut GB
<b>Item 6</b>				<b>49067 Disc Shoe Assembly</b>			
		1	Disc Shoe	17	60045	1	Spacer
16	91192	26	Round Flat Washer, Special	18	93010K	1	7/16 x 1-3/4 Linchpin
<b>Item 13*</b>				<b>69570 Shoe Kit</b>			
6	49067	2	Disc Shoe Assembly	14	69455	2	Shoe Bracket
<b>Item 15</b>				<b>69425 Cutting Edge Bolt Bag</b>			
	19	10	5/8-11 Hex Locknut GB	20		10	5/8-11 x 2 Carriage Bolt G5
ns = not shown				G = Grade			

\* Accessory only.

# HTS™ CENTER ASSEMBLY 69525-1

## Lift Frame and A-Frame Components



‡ This item is packaged with blade assembly (PN 69500).

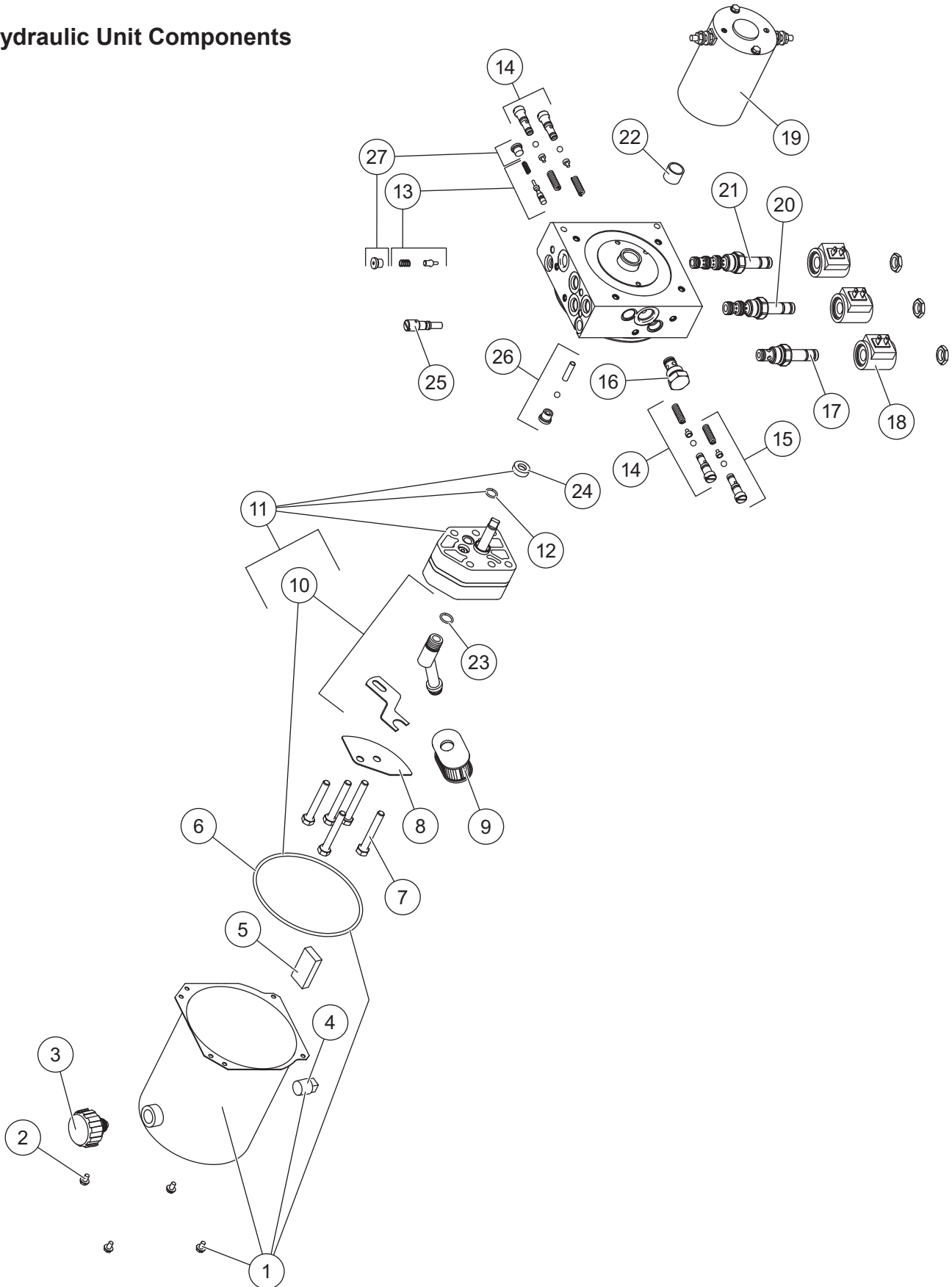
# HTS™ CENTER ASSEMBLY 69525-1

HTS Lift Frame and A-Frame Components							
Item	Part	Qty	Description	Item	Part	Qty	Description
1‡	63976	1	Bumper Kit	13	69611	1	Receiver Kit – DS
2‡	69515	1	Quadrant Assembly, HTS	14	69610	1	Receiver Kit – PS
3‡	23039	2	Trip Spring	15	69620	1	Height Adjustment Plates Kit (qty 2)
4‡	66421	2	5/8-11 x 4 Eyebolt Kit	16	69509	1	Light Bar
5‡	69659	2	3/4 x 6 Clevis Pin Kit	17	69512	1	Hydraulic Cover
6	69523	1	A-Frame	18	50653	1	5/8 x 3-1/2 Pin Kit
7	69494	1	Pivot Bolt Kit	19	69514	1	Lift Ram Pin Kit (Rod)
8	63973	2	Ram Pin Kit	20	69508	1	Hook w/Hardware – PS
9	69496	2	Ram Pin Kit	21	67844	1	Stand Lock Pin Kit
10	69497	1	Lift Frame Kit	22	67847	1	Stand Shoe Kit
11	93062K	2	Clevis Pin Kit	23	48523	1	Stand Plunger Assembly
12	69498	1	Stand Assembly	24	69689	1	Label – Logo, SECURITY GUARD™
<b>Item 13</b>				<b>69611 Receiver Kit – DS</b>			
		1	Receiver – DS	26	63212	1	Spacer
25	69663	1	Receiver Retaining Pin Kit				
<b>Item 14</b>				<b>69610 Receiver Kit – PS</b>			
		1	Receiver – PS	26	63212	1	Spacer
25	69663	1	Receiver Retaining Pin Kit				
<b>Item 22</b>				<b>67847 Stand Shoe Kit</b>			
		1	Stand Shoe	27	67635	1	1/4 x 2 Roll Pin BP

‡ Packaged with blade assembly (PN 69500).

# HTS™ CENTER ASSEMBLY 69525-1

## Hydraulic Unit Components





# HTS™ CENTER ASSEMBLY 69525-1

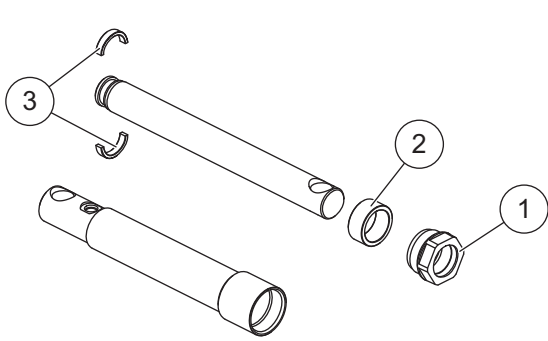
<b>69630 Hydraulic Unit (incl. electrical components on page 12)</b>							
Item	Part	Qty	Description	Item	Part	Qty	Description
1	48538	1	Reservoir Kit	14	49138K-5	1-1/2	Relief Valve Kit (2 sets)
2	66607	4	#10-24 x 5/16 Slotted Hex Washer-Head Machine Screw	15	27792-1	1	Relief Valve Repair Kit
3	21727-2K	1	Breather 3/8 NPT Kit	16	44334-1	1	Check Valve CV08-20
4	92079	1	Plug, Square 3/8 NPTF	17	49227K-2	1	Valve, 2-Way w/Nut
5	73897	1	Magnet	18	49230K-2	3	Coil w/Spade Terminals
6	66519	1	O-Ring 2-250	19	48543-1	1	Motor Assembly, 3"
7	90073	5	5/16-18 x 2-1/4 Hex Cap Screw G5	20	66608-1	1	Valve, 3-Way w/Nut
8	48464	1	Plate Baffle	21	49229K-1	1	Valve, 4-Way w/Nut
9	56789-5	1	Suction Filter	22	56364*	1	Bearing, Sleeve
10	66763-1	1	Inlet Fitting/Filter Kit	23	56416	1	O-Ring -014
11	21501-1	1	Hydraulic Pump Kit	24	66515**	1	Pump Shaft Seal
12	56274	1	O-Ring -013	25	48517	1	Quill
13	49226K	1	Poppet Check Valve Kit	26	48518	1	Check Valve Assembly
				27	92960	2	Plug, Hex Socket -3 M ORB
<b>O-Ring Service Kits</b>							
ns	56657-6	-	O-Ring & Back-Up Ring Kit	ns	49259-2	-	Seal Kit, 3-Way and 4-Way Valve
ns	49258-2	-	Seal Kit, 2-Way Valve				
ns = not shown			M = Male			G = Grade	

\* Use 64589 tool to install (includes 56364).

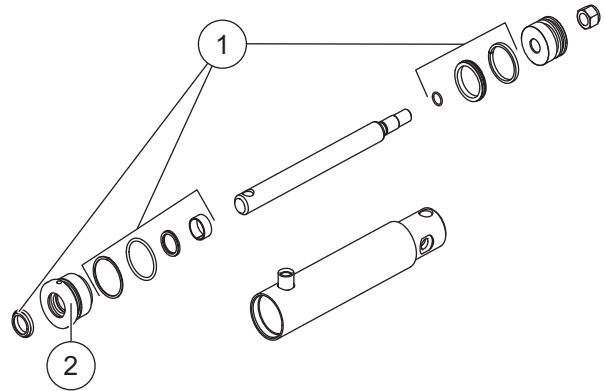
\*\* Use 28856 tool to install (includes 66515).

# HTS™ CENTER ASSEMBLY 69525-1

## Lift and Angle Ram Components



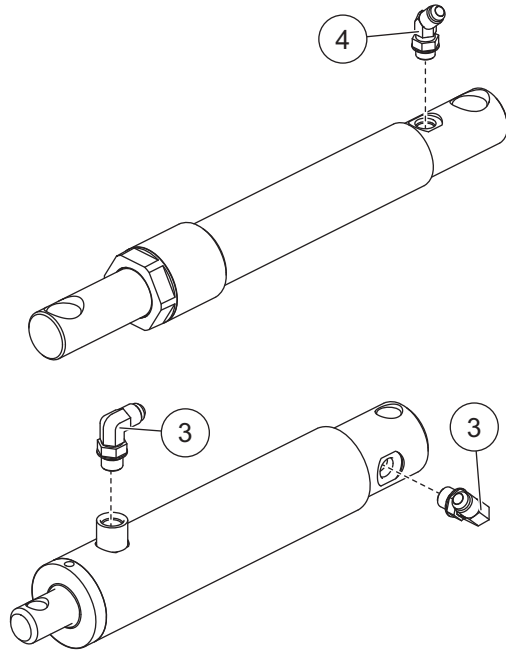
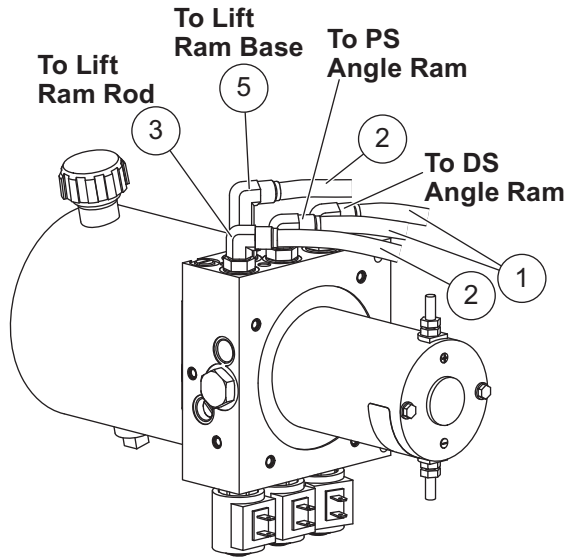
69495 Angle Ram Assembly 1-1/2 x 8			
Item	Part	Qty	Description
1	48985	1	Gland Nut Assembly 1-1/2
2	56537	1	Spacer
3	64650	1	Split Bearing Kit



69513 Lift Ram Assembly 2 x 6-3/4 DA			
Item	Part	Qty	Description
1	48520	1	Seal Kit 2 x 6-3/4 DA
2	48451	1	Gland Nut Assembly 1"

# HTS™ CENTER ASSEMBLY 69525-1

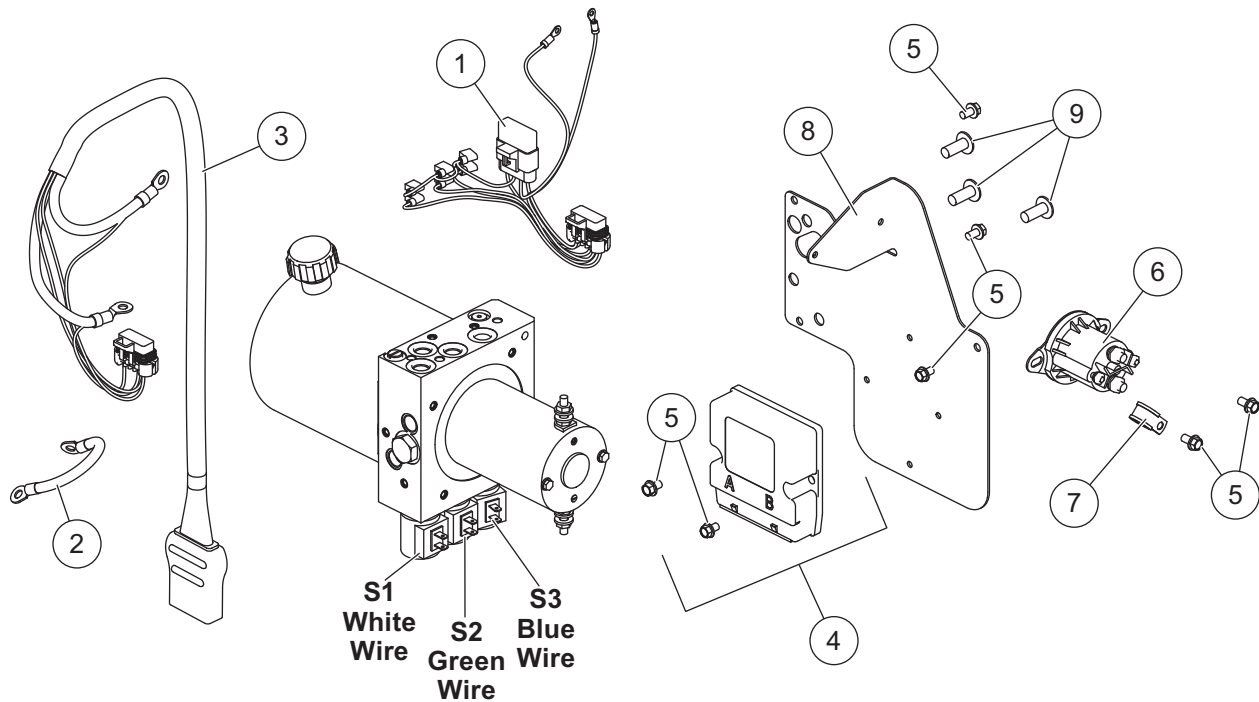
## Hoses and Fittings



Hoses and Fittings							
Item	Part	Qty	Description	Item	Part	Qty	Description
1	48519	2	Hose, 1/4 x 32 w/F JIC Ends	5	64212-1	1	Elbow, Extra Long 90° -6 M JIC/-6 M ORB
2	56830	2	Hose, 1/4 x 22 w/F JIC Ends	ns	56823	1	Hose Wrap
3	56615-1	5	Elbow, 90° -6 M JIC/-6 M ORB				
4	26694	2	Elbow, 45° -6 M JIC/-6 M ORB				
			F = Female			M = Male	ns = not shown

# HTS™ CENTER ASSEMBLY 69525-1

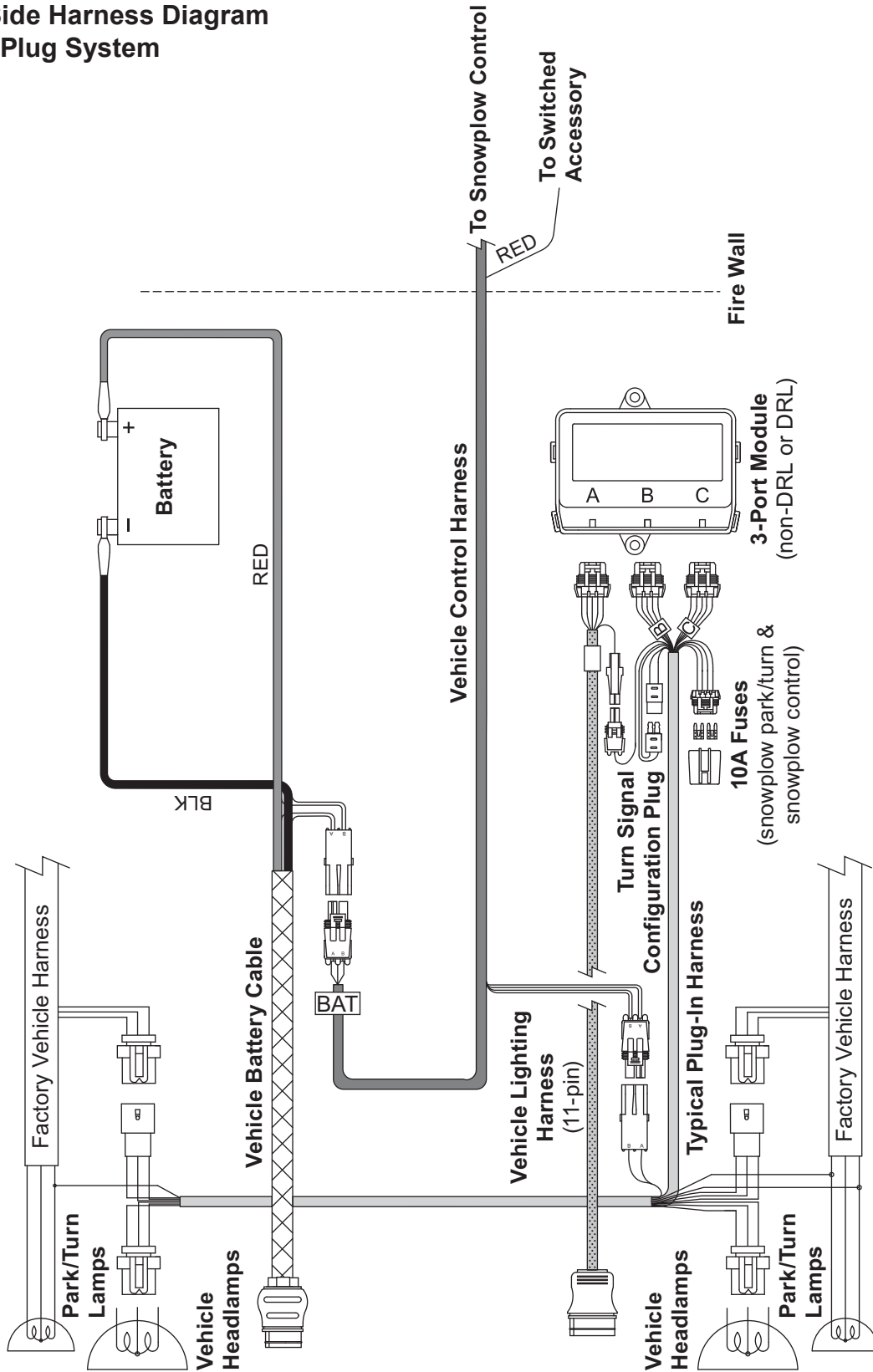
## Electrical Components



Plow-Side Electrical Components							
Item	Part	Qty	Description	Item	Part	Qty	Description
1	28581-1	1	Harness Plow Control, 3-Solenoid	6	42902	1	Motor Relay Kit FLEET FLEX System
2	29071	1	Cable Assembly 8"	7	65340	1	Clamp Loop #10
3	42015	1	Snowplow Battery Cable	8	48522	1	Hydraulic Plate
4	49567	1	Plow Module, 2-Port	9	72384-1	1	3/8-16 x 1 Serrated Flange Hex Cap Screw (pkg of 3)
5	43988	7	1/4-20 x 3/8 Hex Washer-Head Thread-Rolling Screw				
Vehicle-Side Electrical Components							
*	72527	1	Vehicle Battery Cable	ns	61548K	2	Plug Cover Kit
*	28587	1	Vehicle Control Harness				
ns = not shown							

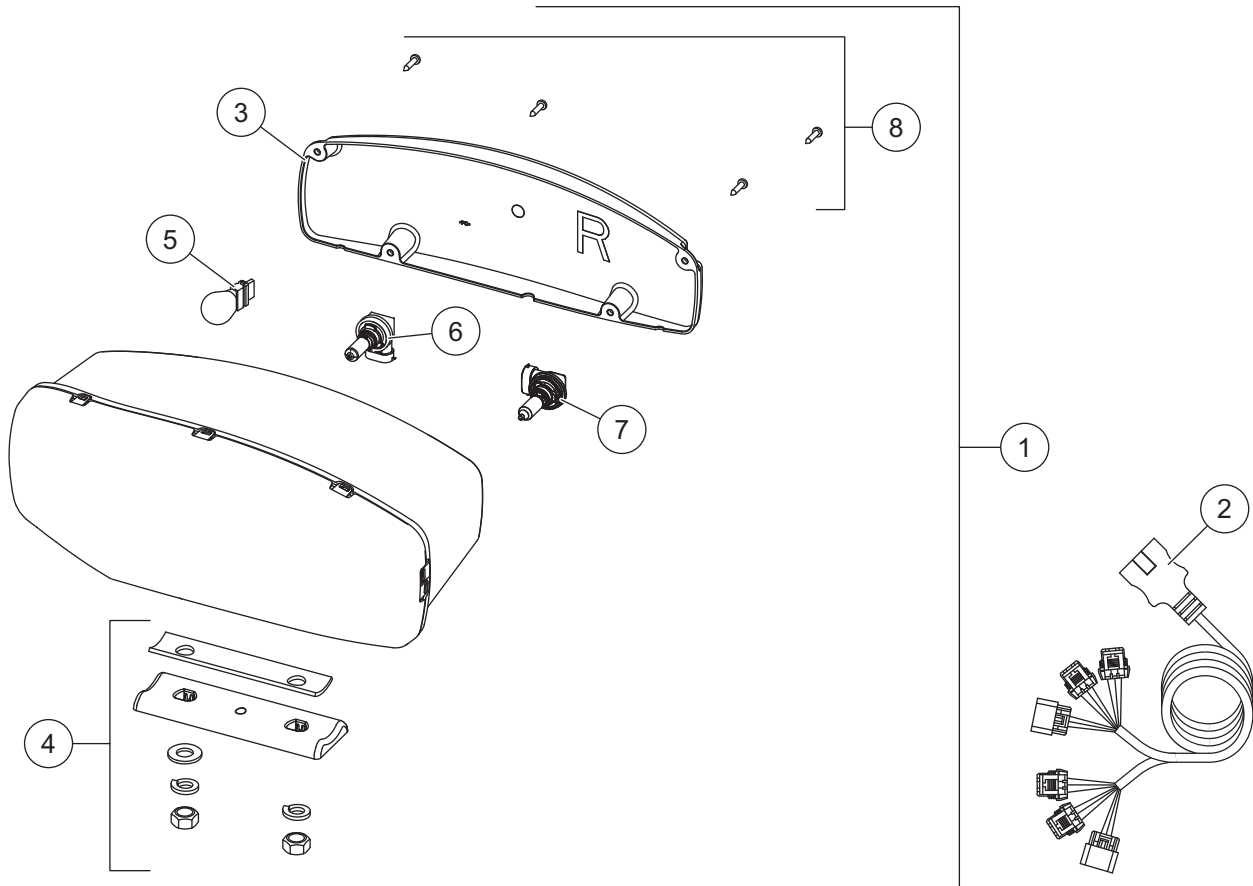
\* For diagram see Vehicle-Side Harness Diagram – 3-Port, 2-Plug System.

Vehicle-Side Harness Diagram  
3-Port, 2-Plug System



# HTS™ CENTER ASSEMBLY 69525-1

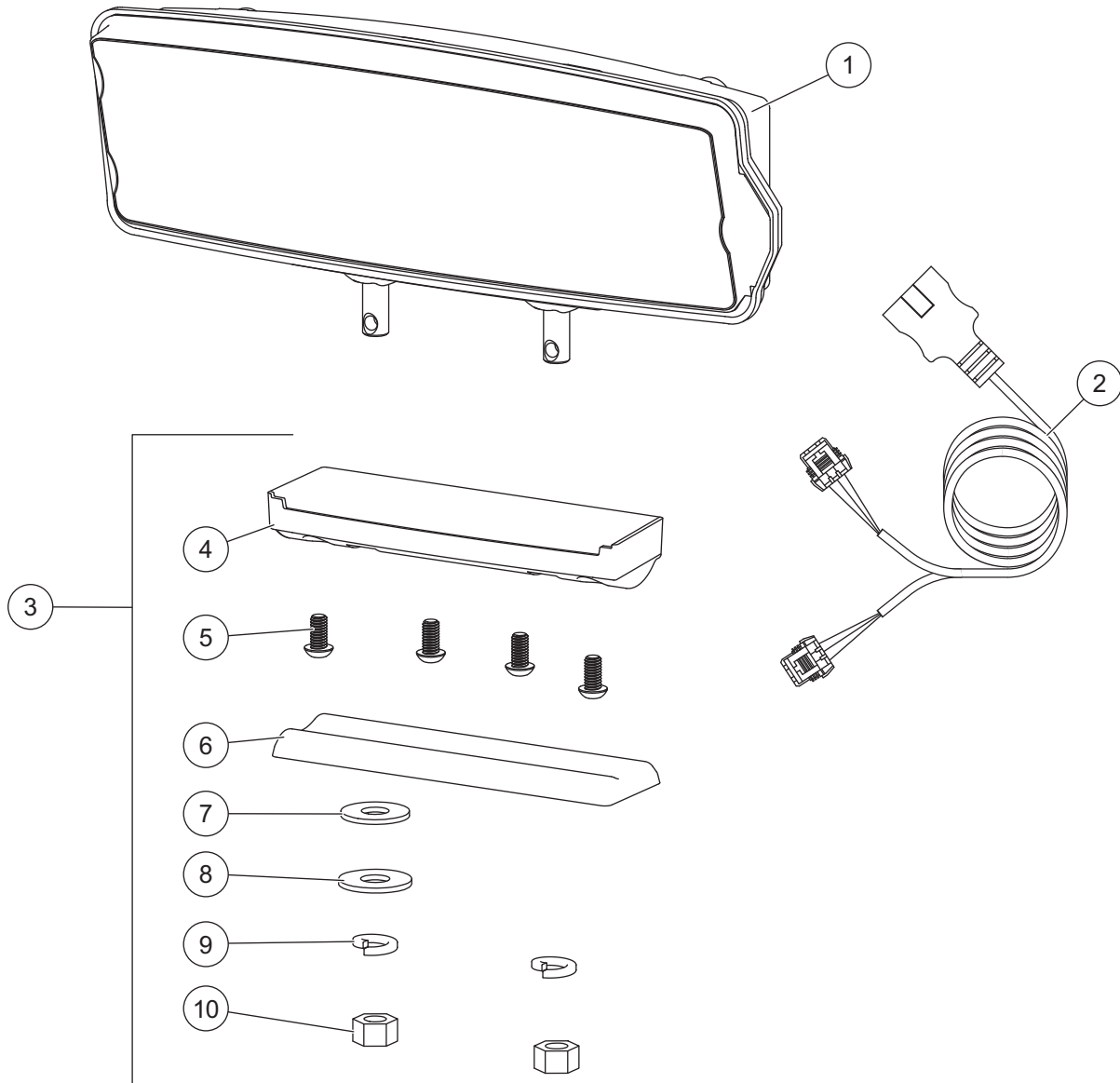
## Headlamp Kit – Halogen



38800 Headlamp Kit H9/H11 (pair)							
Item	Part	Qty	Description	Item	Part	Qty	Description
1	38802	1	Headlamp Service Kit H9/H11 – PS	2	38807	1	Harness Service Kit H9/H11
ns	38801	1	Headlamp Service Kit H9/H11 – DS				
Item 1 38801/38802 Headlamp Service Kit H9/H11 – PS/DS							
3	38803	1	Rear Cover Kit H9/H11 – PS	6	38811	1	H11 Headlamp Bulb Service Kit
ns	38812	1	Rear Cover Kit H9/H11 – DS	7	38809	1	H9 Headlamp Bulb Service Kit
4	38804	1	Mounting Hardware Kit H9/H11	8	38808	1	Cover Screws Service Kit H9/H11 (pkg of 4)
5		1	Park/Turn Bulb (trade no. 4157NAK)				
ns = not shown							

# HTS™ CENTER ASSEMBLY 69525-1

## Headlamp Kit – LED



Headlamp Kit LED							
Item	Part	Qty	Description	Item	Part	Qty	Description
1	39901	1	Headlamp Service Kit LED – DS	3	39903	1	Mounting Hardware Kit LED
ns	39902	1	Headlamp Service Kit LED – PS	ns	72512	1	LED Harness Connector Cover (pkg of 2)
2	72548	1	Harness Service Kit LED				
<b>Item 3</b>				<b>39903 Mounting Hardware Kit LED</b>			
4		1	Plastic Casing	8		1	1/2 Flat Washer
5		4	1/4 Button Cap Screw	9		2	1/2 Lock Washer
6		1	Headlamp Swivel	10		2	1/2 Hex Nut
7		1	1/2 Rubber Washer	ns		1	Metal Insert
ns = not shown							



Western Products  
PO Box 245038  
Milwaukee, WI 53224-9538  
[www.westernplows.com](http://www.westernplows.com)

 A DIVISION OF DOUGLAS DYNAMICS, LLC

Copyright © 2021 Douglas Dynamics, LLC. All rights reserved. This material may not be reproduced or copied, in whole or in part, in any printed, mechanical, electronic, film, or other distribution and storage media, without the written consent of Western Products. Authorization to photocopy items for internal or personal use by Western Products outlets or snowplow owner is granted.

Western Products reserves the right under its product improvement policy to change construction or design details and furnish equipment when so altered without reference to illustrations or specifications used. Western Products or the vehicle manufacturer may require or recommend optional equipment for snow removal. Do not exceed vehicle ratings with a snowplow. Western Products offers a limited warranty for all snowplows and accessories. See separately printed page for this important information. The following are registered (®) or unregistered (™) trademarks of Douglas Dynamics, LLC: HTS™, SECURITY GUARD™, ULTRAFINISH™, UltraMount® 2, WESTERN®.

**Printed in U.S.A.**