



7600, 8000, 8600, 9000

Heavy Duty Snowplow

**Blade Assembly 77720, 77725, 77730, 77735,
77720-1, 77725-1, 77730-1, 77735-1**

Big Box Assembly 77820-1, 77820-3

Parts List

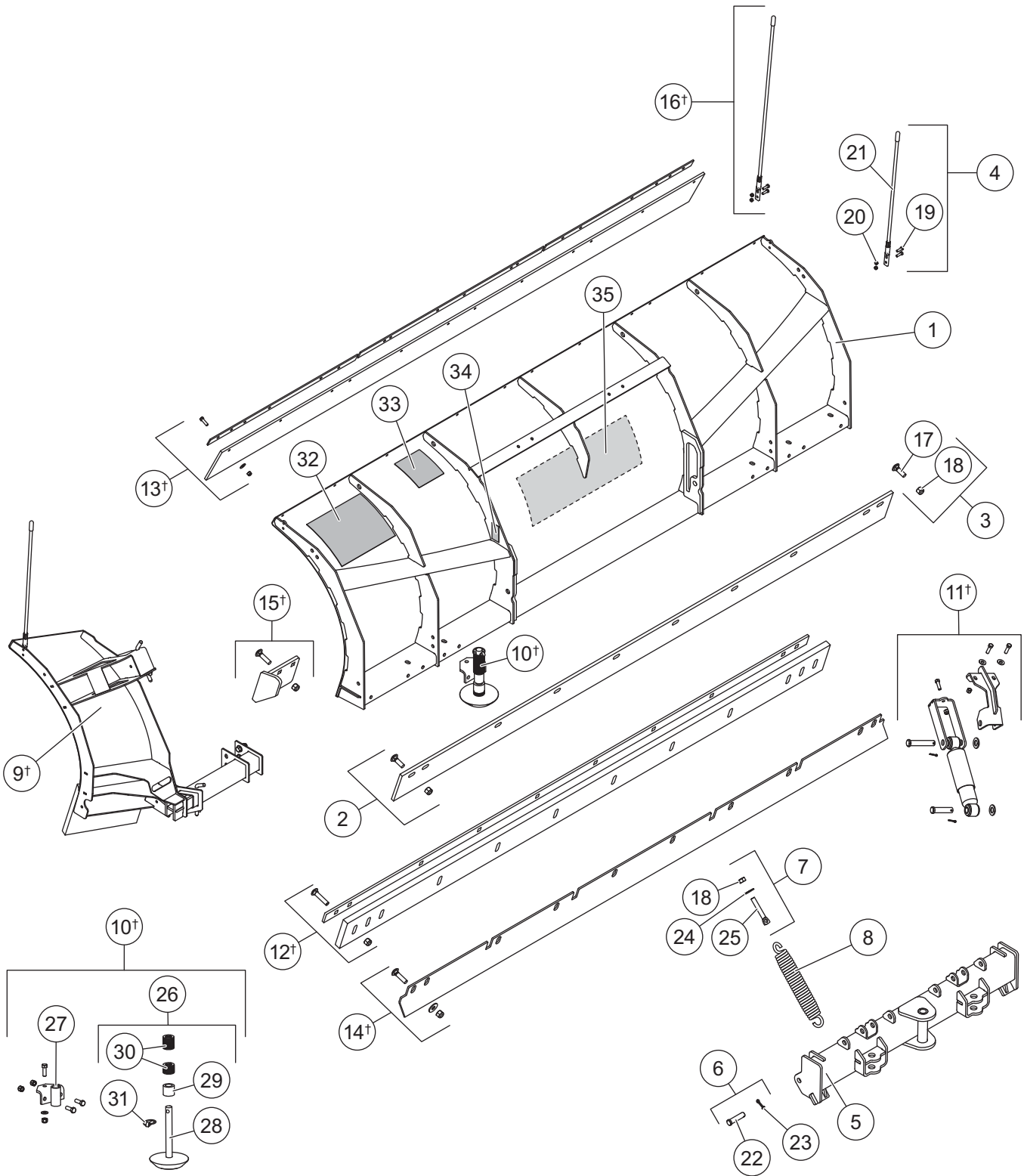


TABLE OF CONTENTS

HEAVY DUTY BLADE ASSEMBLY	4
A-FRAME ASSEMBLY	6
HEADGEAR ASSEMBLY	8
HYDRAULIC AND ELECTRICAL COMPONENTS	10
Hydraulic Unit.....	10
Lift and Angle Rams	12
Hoses and Fittings.....	13
Electrical Components.....	14
VEHICLE-SIDE HARNESS DIAGRAM	15
HEADLAMP KITS	16–17

HEAVY DUTY BLADE ASSEMBLY

Blade Components



HEAVY DUTY BLADE ASSEMBLY

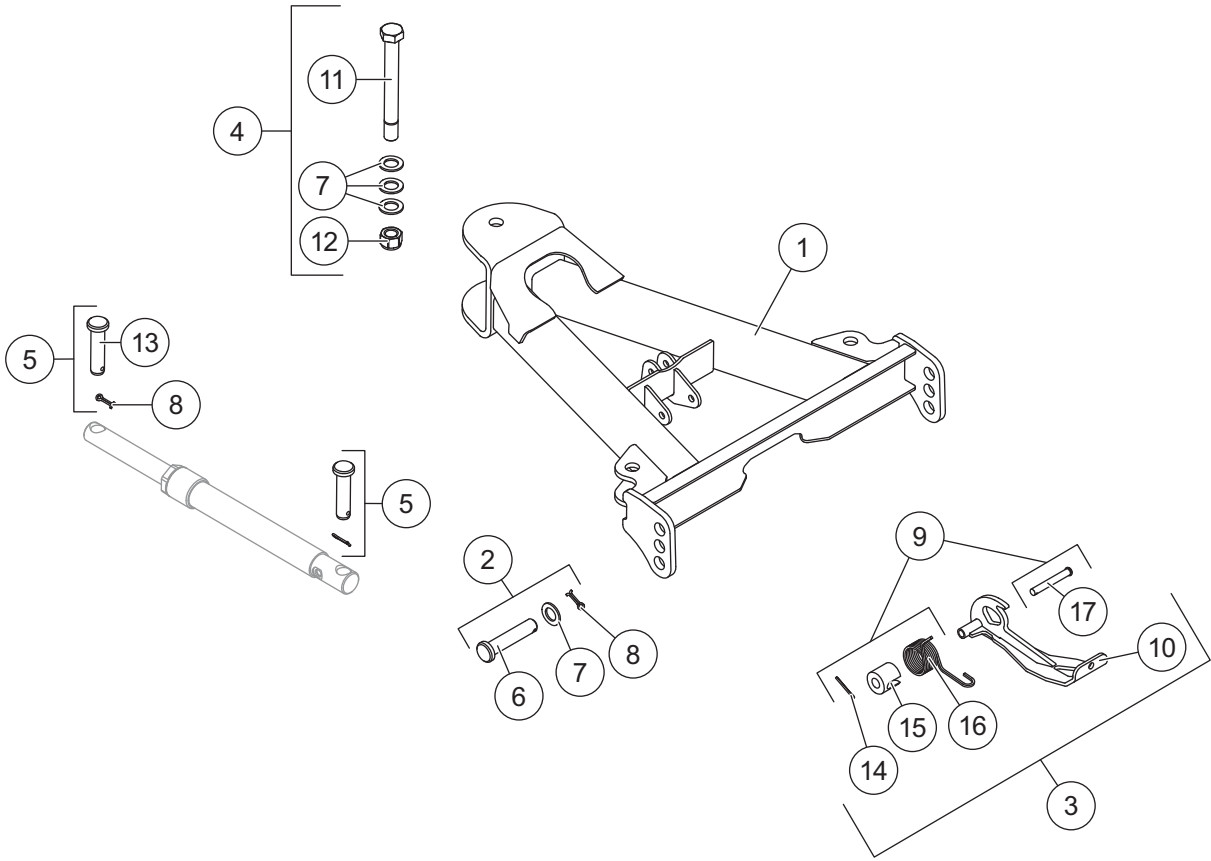
77720-1/77725-1/77730-1/77735-1 Blade Components							
Item	Part	Qty	Description	Item	Part	Qty	Description
1	84567-1	1	7600HD Blade w/ Labels	11 [†]	84563	1	Accessory Shock Absorber Kit (set of 2)
	84566-1	1	8000HD Blade w/ Labels				
	84565-1	1	8600HD Blade w/ Labels	12 [†]	84530	1	Rubber Cutting Edge Kit – 7'6"
	84564-1	1	9000HD Blade w/ Labels		84531	1	Rubber Cutting Edge Kit – 8'
2	40695	1	1/2 Steel Cutting Edge Kit – 7600HD		84532	1	Rubber Cutting Edge Kit – 8'6"
	40696	1	1/2 Steel Cutting Edge Kit – 8000HD		84533	1	Rubber Cutting Edge Kit – 9'
	40697	1	1/2 Steel Cutting Edge Kit – 8600HD	13 [†]	84514	1	Rubber Deflector Kit – 7'6"
	40698	1	1/2 Steel Cutting Edge Kit – 9000HD		84517	1	Rubber Deflector Kit – 8', 8'6", 9'
3	48765	1	Cutting Edge Bolt Bag HD	14 [†]	84463	1	Back Drag Edge – 7'6"
4	84525	1	24" Blade Guide Kit (set of 2)		84464	1	Back Drag Edge – 8'
5	84576	1	Quadrant HD		84466	1	Back Drag Edge – 8'6"
6	41123	2	3/4 x 3 Clevis Pin Kit w/ Cotter		84465	1	Back Drag Edge – 9'
7	84702	4	Eyebolt Kit	15 [†]	43885	1	Curb Guard Kit
8	23039	4	Trip Spring	16 [†]	84477	1	36" Poly Blade Guide Kit (set of 2)
9 [†]	84575	1	Accessory Wing Kit – HD	ns	84642	1	Blade Label Kit
10 [†]	84506-1	1	Shoe Assembly Kit – HD, RD, LT				
Item 2 40695/40696/40697/40698 1/2 Steel Cutting Edge Kit							
	1	1/2 Steel Cutting Edge		3	48765	1	Cutting Edge Bolt Bag
Item 3 48765 Cutting Edge Bolt Bag HD							
17		10	5/8-11 x 2 Carriage Bolt G5	18		10	5/8-11 Hex Locknut GB
Item 4 84525 24" Blade Guide Kit							
19		4	5/16-18 x 1 Hex Cap Screw G5	21		2	24" Poly Blade Guide w/ Label
20		4	5/16-18 Hex Locknut GB				
Item 6 41123 3/4 x 3 Clevis Pin Kit w/ Cotter							
22		2	3/4 x 3 Clevis Pin	23		2	1/4 x 1-1/2 Cotter Pin
Item 7 84702 Eyebolt Kit							
18		1	5/8-11 Hex Locknut GB	25		1	5/8-11 x 4 Eyebolt
24		1	5/8 Hardened Flat Washer				
Item 10[†] 84506 Shoe Assembly Kit – HD, RD, LT							
26	42301	2	Disc Shoe Assembly	ns	84732	1	Bolt Bag – 84506 Shoe Assembly
27	84736	2	Shoe Bracket				
Item 26[†] 84506 Disc Shoe Assembly							
28	60217	1	Disc Shoe	30	91192	26	Round Flat Washer, Special
29	60045	1	Spacer	31	93010	1	7/16 x 1-3/4 Linchpin
84642 Blade Label Kit							
32	52203	1	Label – Attach/Detach, Automatixx®	34	29256	1	Label – Warning, Foot Crush Hazard
33	59900	1	Label – Warning/Caution, Snowplows	35	77703	1	Label – Logo, HD Blade Center
ns = not shown				G = Grade			

* Fits only blades with serial number beginning 160209 or higher.

[†] Accessory only.

A-FRAME ASSEMBLY

A-Frame Components

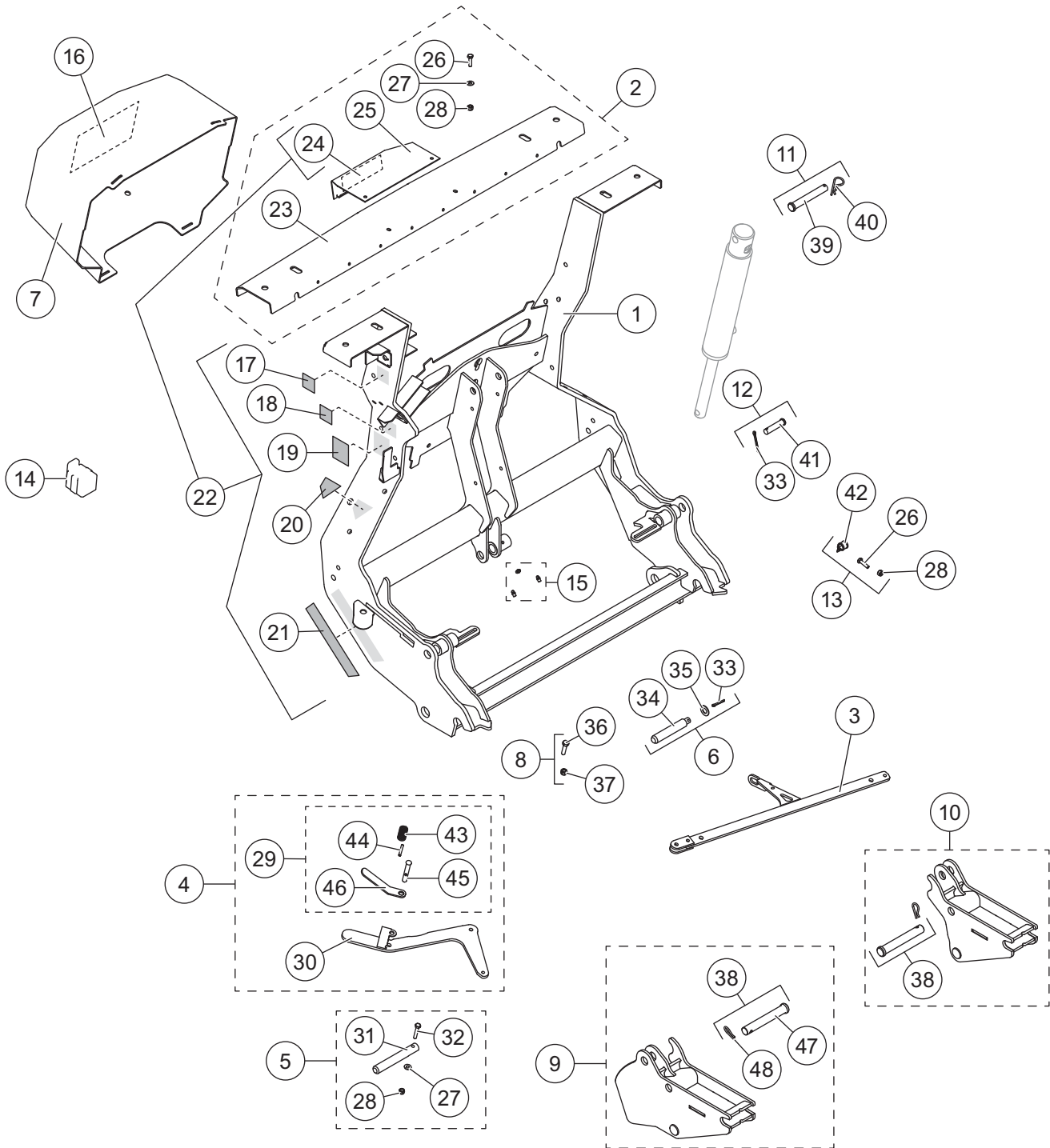


A-FRAME ASSEMBLY

A-Frame Components							
Item	Part	Qty	Description	Item	Part	Qty	Description
1	84589	1	A-Frame	4	84769	1	Pivot Bolt Kit
2	84623	2	A-Frame Pin Kit	5	57968	4	1 x 4 Clevis Pin Kit
3	84593	1	Stand Kit				
Item 2				84623 A-Frame Pin Kit			
6		1	1 x 4-3/4 Clevis Pin	8		1	1/4 x 1-1/2 Cotter Pin
7		1	1" Flat Washer Special				
Item 3				84593 Stand Kit			
9	84615	1	Stand Hardware Kit	10		1	Stand
Item 4				84769 Pivot Bolt Kit			
7		3	1" Flat Washer Special	12		1	1-8 Hex Locknut GB
11		1	1-8 x 9 Hex Cap Screw Special G5				
Item 5				57968 1/4 x 4 Clevis Pin Kit			
8		1	1/4 x 1-1/2 Cotter Pin	13		1	1 x 4 Clevis Pin
Item 9				84615 Stand Hardware Kit			
14		1	5/32 x 1-1/2 Cotter Pin	16		1	Stand Torsion Spring
15		1	Stand Spring Spacer	17		1	1/2 x 3-11/16 Clevis Pin
G = Grade							

HEADGEAR ASSEMBLY

Headgear Components



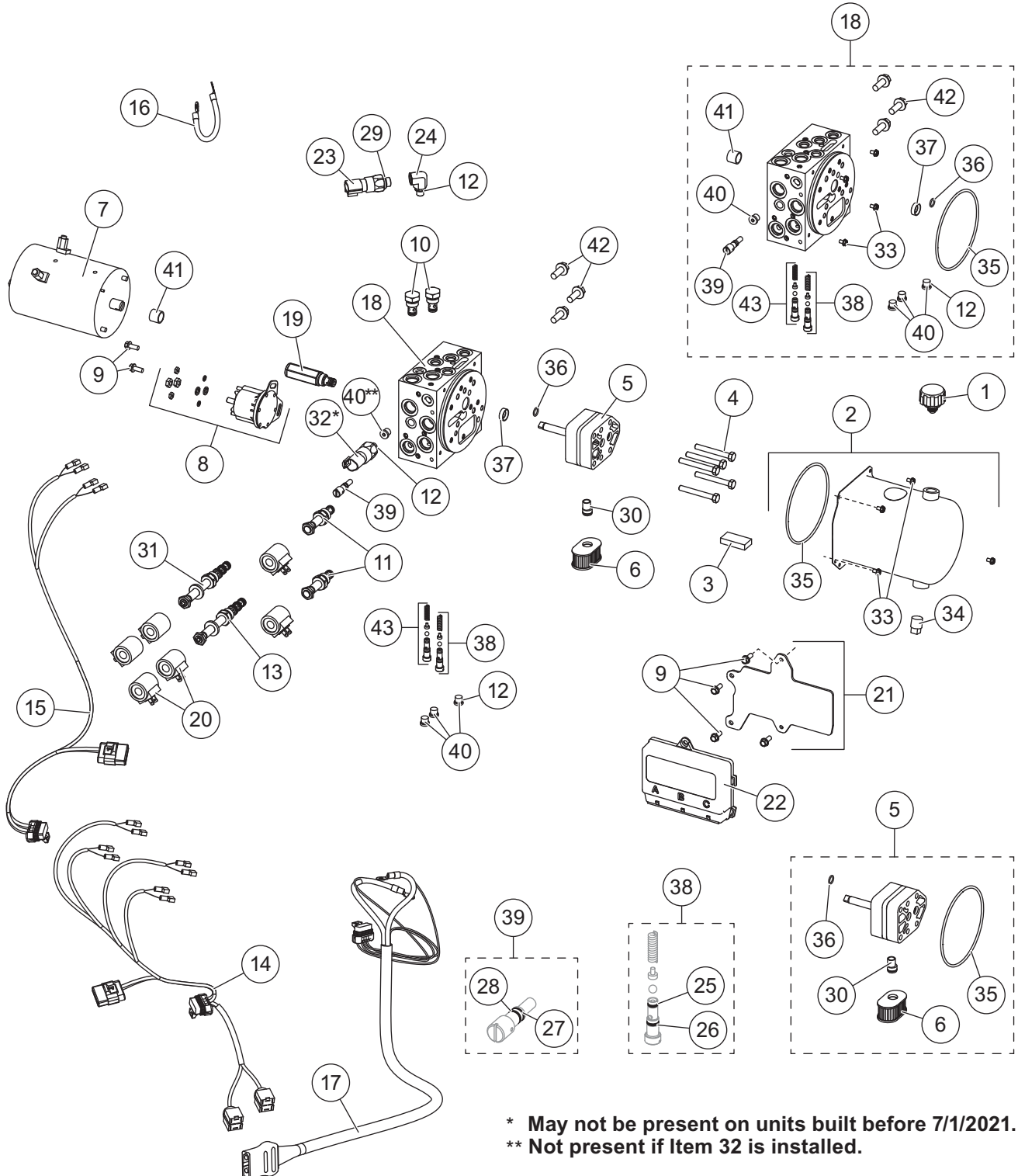
HEADGEAR ASSEMBLY

Headgear Components							
Item	Part	Qty	Description	Item	Part	Qty	Description
1	84622	1	Headgear (incl. item 15)	11	84632	1	Lift Ram Base Pin Kit
2	84624	1	Light Bar Channel	12	84627	1	Lift Ram Rod Pin Kit
3	84599	1	Link Arm	13	84778	1	Clamp Loop Kit
4	84595	1	Attach Handle Kit	14	61246	1	Cable Boot
5	84603	2	Attach Pin Kit	15	84616	1	Grease Zerk (pkg of 3)
6	84601	1	Link Arm Jack Stand Pin Kit	16	43859	1	Label – Information, Hydraulic SB
7	84649	1	Hydraulic Cover – HD (incl. item 16)	17	52206	1	Label – Power Switch, Automatixx®
8	84635	1	Link Arm/Attach Handle Fastener Kit	18	52207	1	Label – Operation Switch, Automatixx
9	84608	1	Receiver Kit – DS	19	69689	1	Label – Logo, SECURITY GUARD™
ns	85121 [‡]	1	Receiver Kit, Tall – DS	20	77717	1	Label – Upper, Automatixx
10	84609	1	Receiver Kit – PS	21	77719	1	Label – Lower, Automatixx
ns	85122 [‡]	1	Receiver Kit, Tall – PS	22	84647	1	Headgear Label Kit
Item 2 84624 Light Bar Channel							
23		1	Light Bar	26		2	1/4-20 x 1 Hex Cap Screw G5
24	77727	1	Label – Logo, SnowEx® Light Bar	27		2	1/4 Flat Washer
25		1	Light Bar Top Plate, Center	28		2	1/4-20 Hex Locknut GB
Item 4 84595 Attach Handle Kit							
29	84596	1	Attach Handle Release Cam Kit	30	84779	1	Handle
Item 5 84603 Attach Pin Kit							
27		1	1/4 Flat Washer	31		1	Hitch Pin
28		1	1/4-20 Hex Locknut GB	32		1	1/4-20 x 1-1/2 Hex Cap Screw SS
Item 6 84601 Link Arm Jack Stand Pin Kit							
33		1	5/32 x 1-1/2 Cotter Pin	35		1	1/2 Flat Washer Type B Narrow SS
34		1	Stand Actuator Pin				
Item 8 84635 Link Arm/Attach Handle Fastener Kit							
36		1	5/16-18 x 1-1/4 Hex Cap Screw G5	37		1	5/16-18 Hex Locknut GB
Item 9 84608 / 85121[‡] (tall) Receiver Kit – DS							
		1	Receiver – DS	38	84611	1	Receiver Pin Kit
Item 10 84609 / 85122[‡] (tall) Receiver Kit – PS							
		1	Receiver – PS	38	84611	1	Receiver Pin Kit
Item 11 84632 Lift Ram Base Pin Kit							
39		1	5/8 x 4-1/4 Clevis Pin	40		1	1/8 Hairpin Cotter
Item 12 84627 Lift Ram Rod Pin Kit							
33		1	5/32 x 1-1/2 Cotter Pin	41		1	1/2 x 2-1/8 Clevis Pin HT
Item 13 84778 Clamp Loop Kit							
26		1	1/4-20 x 1 Hex Cap Screw G5	42		1	#10 Clamp Loop
28		1	1/4-20 Hex Locknut GB				
Item 22 84647 Headgear Label Kit							
17	52206	1	Label – Power Switch, Automatixx	20	77717	1	Label – Upper, Automatixx
18	52207	1	Label – Operation Switch, Automatixx	21	77719	1	Label – Lower, Automatixx
19	69689	1	Label – Logo, SECURITY GUARD	24	77727	1	Label – Logo, SnowEx Light Bar
Item 29 84596 Attach Handle Release Cam Kit							
43		1	Stand Lock Pin Spring	45		1	Handle Lock Pin
44		1	3/16 x 1-3/8 Roll Pin SS	46		1	Handle Lock Pin Lever
Item 38 84611 Receiver Pin Kit – HD							
47	95739	1	3/4 x 5 Clevis Pin HT	48	42142	1	R-Pin Cotter
ns = not shown		SS = Stainless Steel		HT = Heat Treated		G = Grade	

[‡] Refer to the Heavy Duty Snowplow Installation Instructions to confirm when tall receivers are required.

HYDRAULIC AND ELECTRICAL COMPONENTS

Hydraulic Unit Components



HYDRAULIC AND ELECTRICAL COMPONENTS

52646 Hydraulic Unit							
Item	Part	Qty	Description	Item	Part	Qty	Description
1	48278	1	Breather	17	52291	1	Snowplow Battery Cable
2	52289	1	Reservoir Kit	18	52256	1	Manifold Assembly w/o Valves HD
3	73897	1	Magnet	19	42889	1	Relief Valve 4000 psi
4	90073	5	5/16-18 x 2-1/4 Hex Cap Screw G5	20	52294	6	Coil
ns	52252	1	Seal Repair Tool Kit w/Seal	21	52293	1	Plate, Module
5	52288	1	Hydraulic Pump Kit	22	52292-1	1	Module, Plow Control
6	48281	1	Filter	23	52296	1	Pressure Switch
ns	52251	1	Bearing Repair Tool Kit w/Bearing	24	52295	1	Elbow, 90° –4 M ORB/–6 F ORB
7	52281	1	Motor	25	55371	2	O-Ring -008
8	52290	1	Motor Relay Kit, FLEET FLEX System	26	25731	2	O-Ring -010
9	44355	6	1/4-20 x 5/8 Hex Washer-Head Thread-Rolling Screw	27	48239	1	O-Ring -106
10	84934	2	Check Valve	28	48240	1	Back-Up Ring -106
11	84936	2	Valve, 2-Way NC w/Rev Flow	29	56569	5	O-Ring -906
12	44343	6	O-Ring -904	30	10887	1	Inlet Fitting
13	52285	1	Valve, 4-Way, 3-Position Closed Center	31	84937	1	Valve, 4-Way, 3-Position
14	70448	1	Plow Control Harness, 4-Coil	ns		3	Fuse, 5A Mini Automotive-Style (for items 25 and 26)
15	52077	1	Plow Control Harness, 2-Coil	32	83859	1	Pressure Switch (Scrape Maxx™ down-force feature)
16	29071	1	Vehicle Battery Cable 8"				
O-Ring Service Kits							
–	52298-2	–	O-Ring Kit	–	48310	–	Seal Kit, 2-Way Valves
–	48309	–	Seal Kit, 3-Way & 4-Way Valves				
Item 2	52289 Reservoir Kit						
33	66607	4	#10-24 x 5/16 Machine Screw	35	66519	1	O-Ring 2-250
34	92079	1	Plug, Square 3/8 NPTF				
Item 18	52256 Manifold Assembly w/o Valves HD						
12	44343	5	O-Ring -904	39	48517	1	Quill
33	66607	4	#10-24 x 5/16 Machine Screw	40	44344	4	Plug, Hex Socket –4 M ORB
35	66519	1	O-Ring 2-250	41†	56364	1	Bearing Sleeve
36	56274	1	O-Ring -013	42	D6452	3	3/8-16 x 1 Hex Serrated Flange Screw
37*	66515	1	Pump Shaft Seal	43	52284	1	Relief Valve (1 set)
38	52282	1	Relief Valve (1 set)				
ns = not shown			M = Male	F = Female		G = Grade	

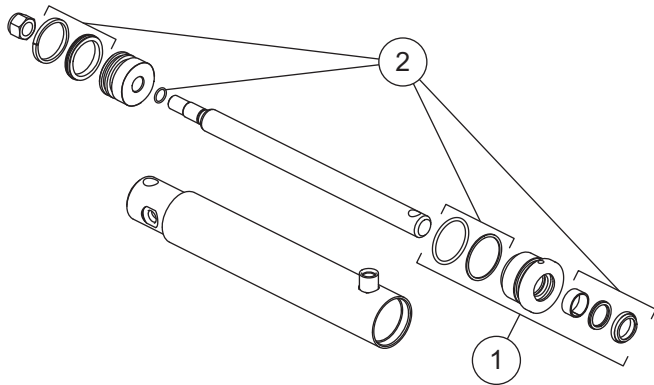
* Use 52252 tool to install.

† Use 52251 tool to install.

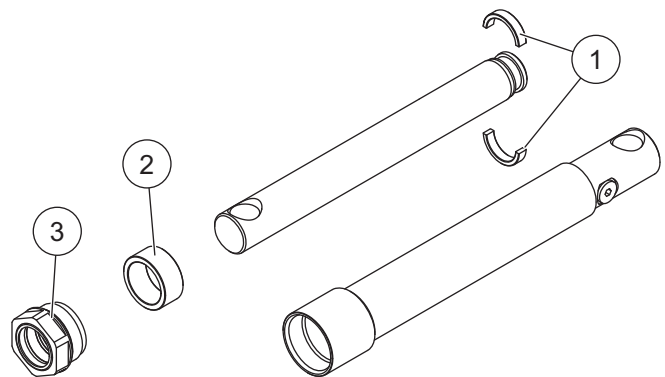
Go to www.snowexproducts.com for hydraulic unit service information and specifications.

HYDRAULIC AND ELECTRICAL COMPONENTS

Lift and Angle Ram Components



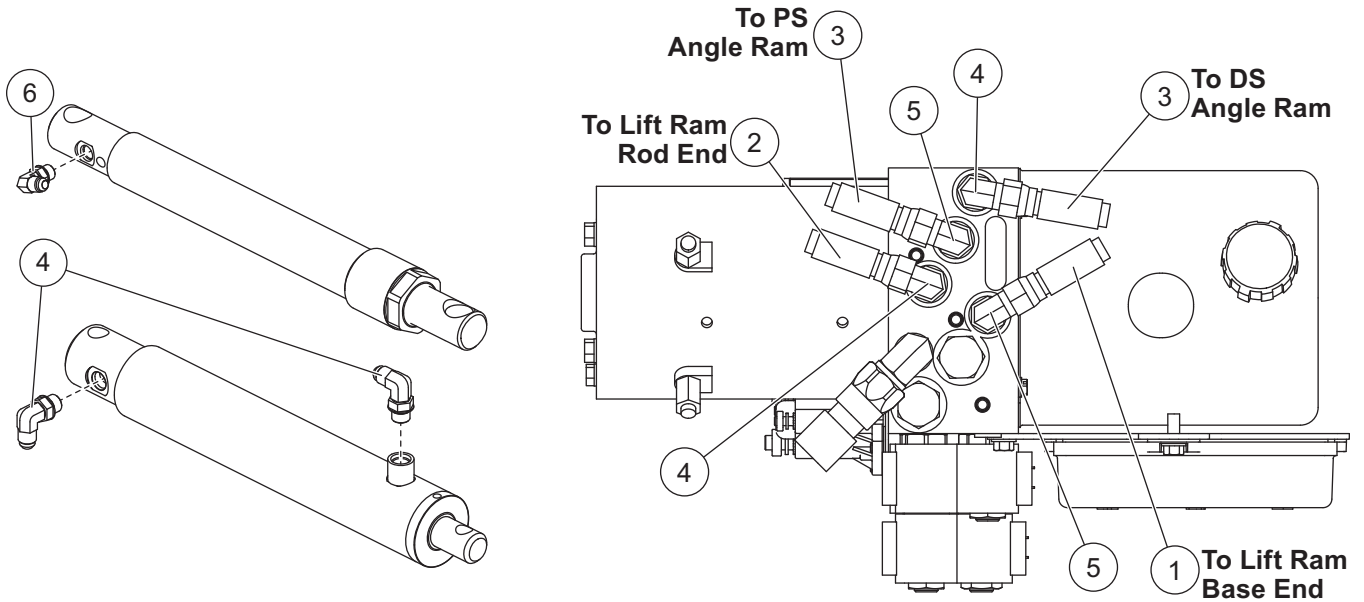
84420 Lift Ram Assembly 2 x 9-3/4 DA			
Item	Part	Qty	Description
1	49499	1	1" Gland Nut Assembly
2	48520	1	Seal Kit 2" DA Ram



84421 Angle Ram Assembly 1-1/2 x 12			
Item	Part	Qty	Description
1	57879	1	Split Bearing Kit
2	56537	1	Spacer
3	48985	1	Gland Nut Assembly

HYDRAULIC AND ELECTRICAL COMPONENTS

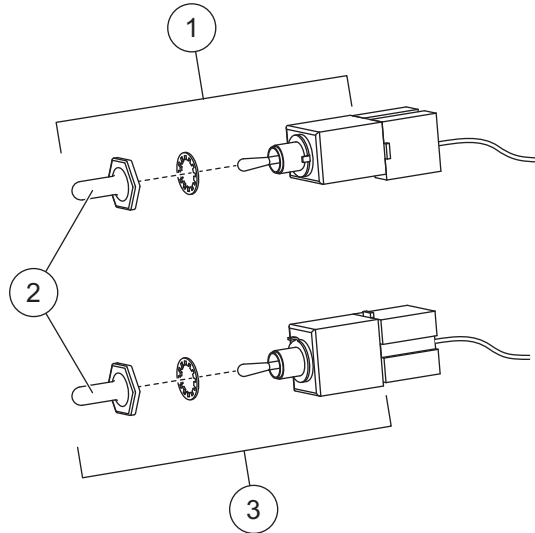
Hoses and Fittings



Hoses and Fittings							
Item	Part	Qty	Description	Item	Part	Qty	Description
1	84446	1	Hose, 1/4 x 14 w/F JIC Ends	5	40572	2	Elbow, Extra Long 90° -6 M JIC/-6 M ORB
2	84453	1	Hose, 1/4 x 20 w/F JIC Ends	6	77929	1	Elbow, 90° -6 M JIC/-6 M ORB w/Screen
3	52304	2	Hose, 3/8 x 36 w/F JIC Ends				
4	40571	5	Elbow, 90° -6 M JIC/-6 M ORB				
ns	56823	1	Hose Wrap				
			F = Female			ns = not shown	M = Male

HYDRAULIC AND ELECTRICAL COMPONENTS

Electrical Components

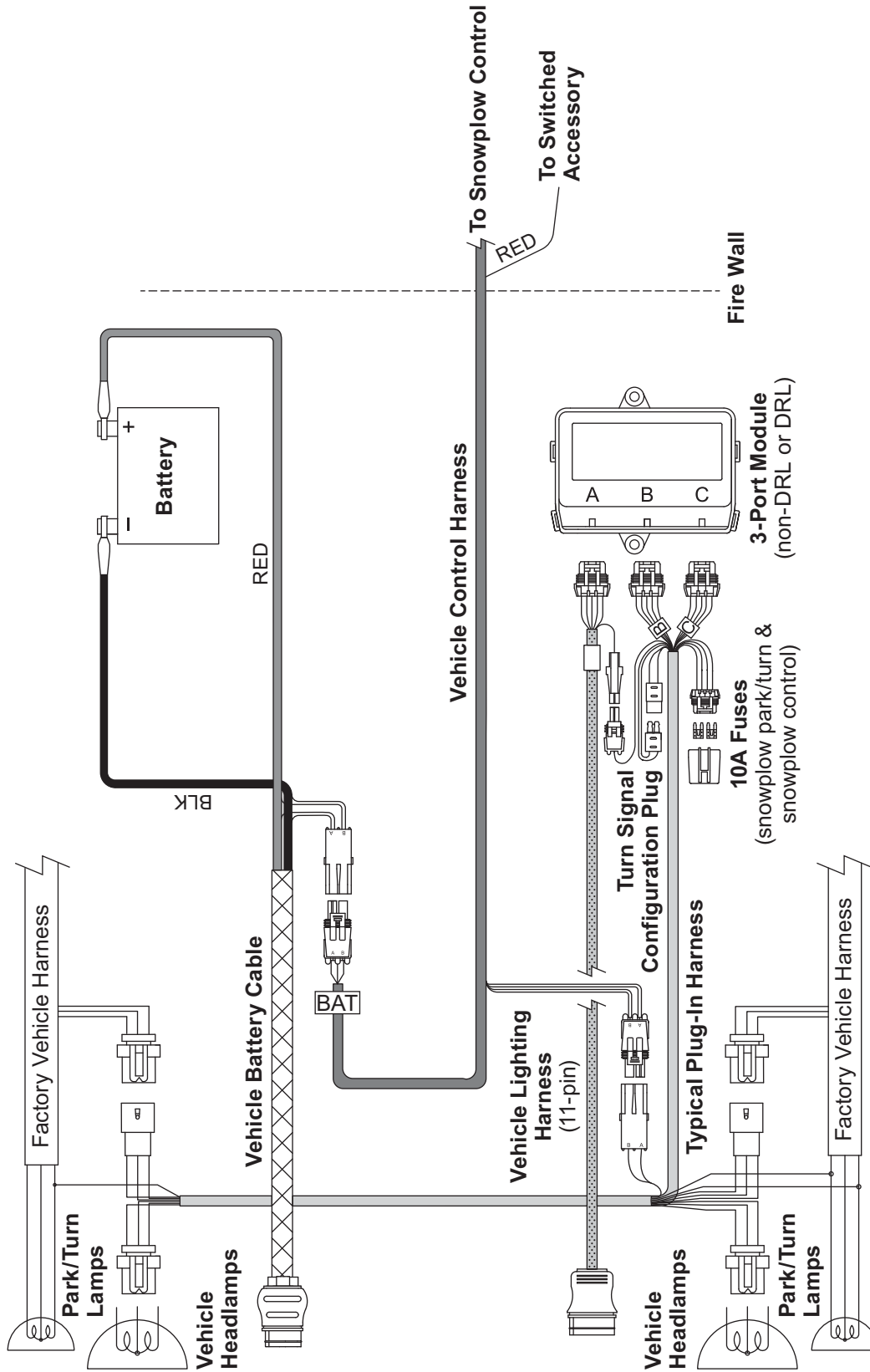


Plow-Side Electrical Components							
Item	Part	Qty	Description	Item	Part	Qty	Description
1	40575	1	Toggle Switch (MOM-ON, OFF, ON)	3	40576	1	Toggle Switch (MOM-ON, OFF, MOM-ON)
2	48259	2	Switch Boot				
Vehicle-Side Electrical Components							
§	72527	1	Vehicle Battery Cable	ns	48325	2	Plug Cover
§	28587	1	Vehicle Control Harness				
ns = not shown							

§ For diagram see Vehicle-Side Harness Diagram.

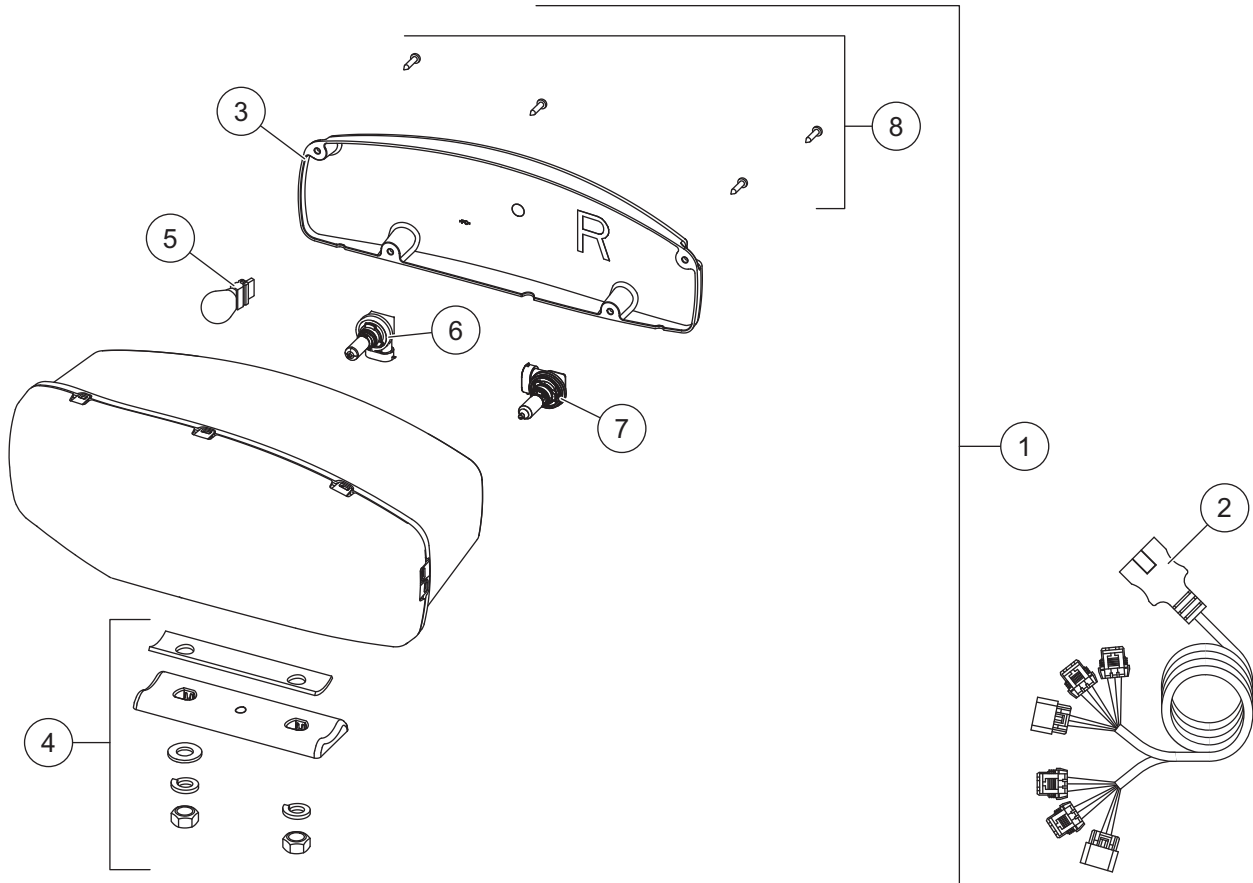
VEHICLE-SIDE HARNESS DIAGRAM

Vehicle-Side Harness Diagram



HEADLAMPS

Headlamp Components – Halogen

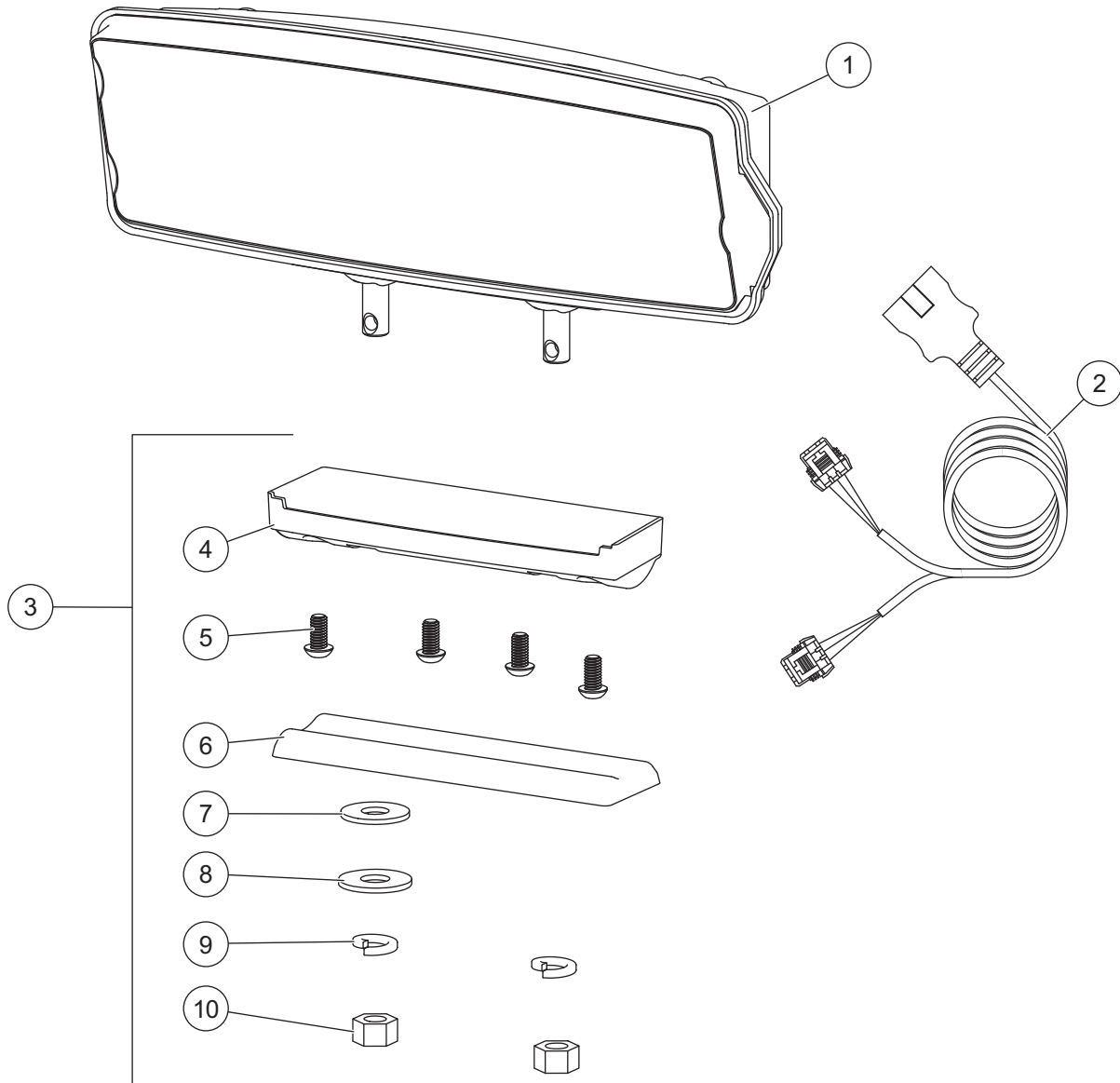


38800 Headlamp Kit H9/H11 (pair)							
Item	Part	Qty	Description	Item	Part	Qty	Description
1	38802	1	Headlamp Service Kit H9/H11 – PS	2	38807	1	Harness Service Kit H9/H11
ns	38801	1	Headlamp Service Kit H9/H11 – DS				
Item 1	38801/38802 Headlamp Service Kit H9/H11 – PS/DS						
3	38803	1	Rear Cover Kit H9/H11 – PS	6	38811	1	Headlamp Bulb Service Kit H11
ns	38812	1	Rear Cover Kit H9/H11 – DS	7	38809	1	Headlamp Bulb Service Kit H9
4	38804	1	Mounting Hardware Kit H9/H11	8	38808	1	Cover Screws Service Kit H9/H11 (pkg of 4)
5		1	Park/Turn Bulb (trade no. 4157NAK)				

ns = not shown

HEADLAMPS

Headlamp Kit – LED



Headlamp Kit LED							
Item	Part	Qty	Description	Item	Part	Qty	Description
1	39901	1	Headlamp Service Kit LED – DS	3	39903	1	Mounting Hardware Kit LED
ns	39902	1	Headlamp Service Kit LED – PS	ns	72512	1	LED Harness Connector Cover (pkg of 2)
2	72548	1	Harness Service Kit LED	Item 3 39903 Mounting Hardware Kit LED			
4		1	Plastic Casing	8		1	1/2 Flat Washer
5		4	1/4 Button Cap Screw	9		2	1/2 Lock Washer
6		1	Headlamp Swivel	10		2	1/2 Hex Nut
7		1	1/2 Rubber Washer	ns		1	Metal Insert

ns = not shown



TrynEx International, LLC
531 Ajax Drive
Madison Heights, MI 48071-2429
www.snowexproducts.com

 A DIVISION OF DOUGLAS DYNAMICS, LLC

Copyright © 2021 Douglas Dynamics, LLC. All rights reserved. This material may not be reproduced or copied, in whole or in part, in any printed, mechanical, electronic, film, or other distribution and storage media, without the written consent of TrynEx International, LLC. Authorization to photocopy items for internal or personal use by TrynEx International outlets or snowplow owner is granted.

TrynEx International reserves the right under its product improvement policy to change construction or design details and furnish equipment when so altered without reference to illustrations or specifications used. TrynEx International or the vehicle manufacturer may require or recommend optional equipment for snow removal. Do not exceed vehicle ratings with a snowplow. TrynEx International offers a limited warranty for all snowplows and accessories. See separately printed page for this important information. The following are registered (®) or unregistered (™) trademarks of Douglas Dynamics, LLC: Automatix®, Scrape Maxx™, SECURITY GUARD™, SnowEx®.

Printed in U.S.A.