



**Fisher Engineering**

50 Gordon Drive, Rockland, Maine 04841-2139 • [www.fisherplows.com](http://www.fisherplows.com)

44685-2, 44695-2, 44775-2, 44785-2, 44795-2

85000-1, 85000-3

85500-1, 85500-3

March 1, 2022

Lit. No. 85304, Rev. 11



## Blade and Off-Truck Kit

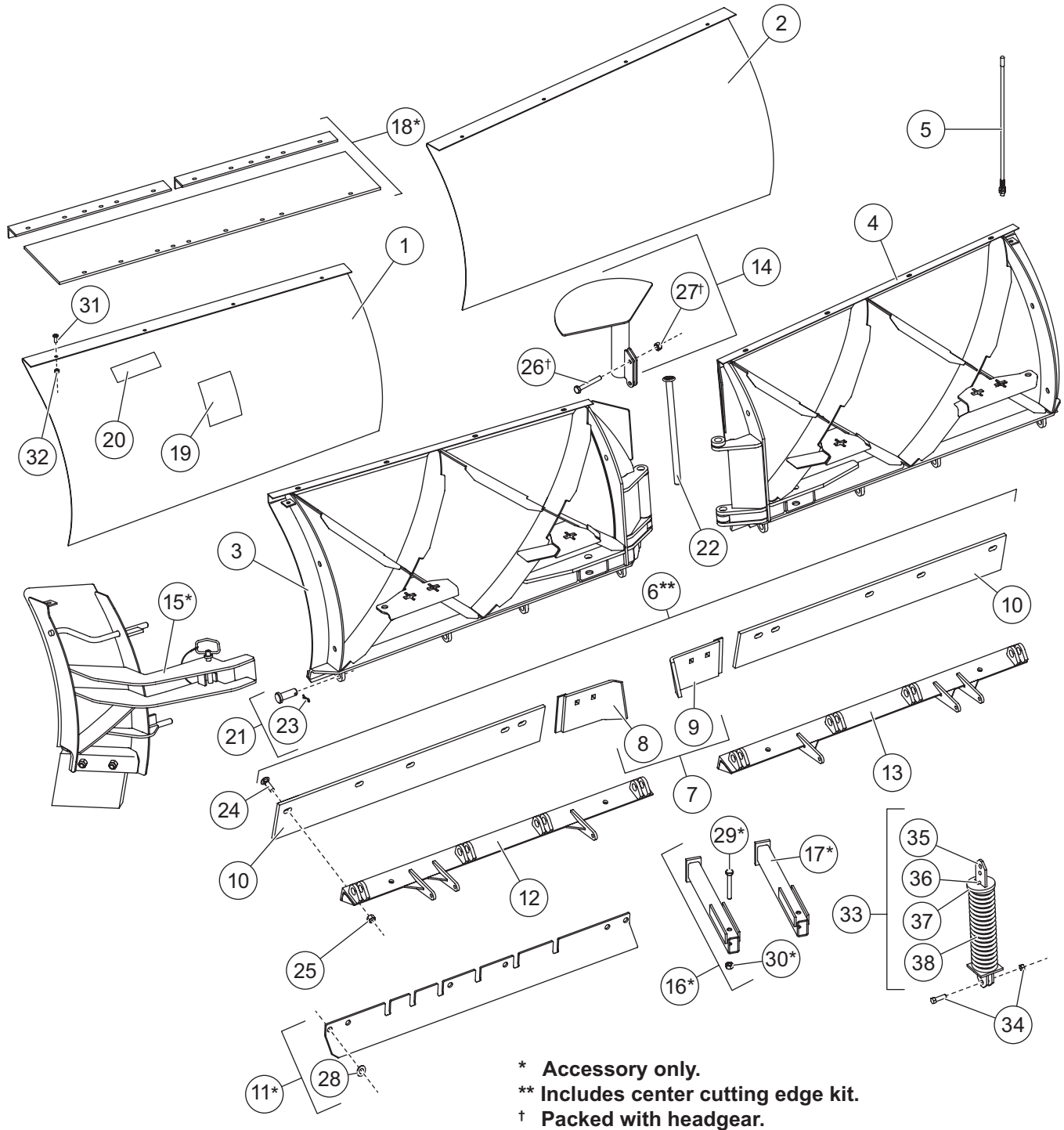
### XtremeV™ Snowplow

#### Parts List



<b>XtremeV™ BLADE COMPONENTS</b> .....	4
<b>XtremeV OFF-TRUCK KITS</b> .....	6
Headgear and T-Frame Components .....	6
Hydraulic Unit Components .....	8
Hydraulic Unit Cover Assembly .....	10
Lift and Angle Ram Components .....	11
Hoses and Fittings .....	11
Electrical Components .....	12
Vehicle-Side Harness Diagram .....	13
Headlamp Kits .....	14–15

XtremeV™ Blade Components – 9'6" Shown



**44685-2, 44695-2, 44775-2, 44785-2, 44795-2  
85000-1, 85000-3, 85500-1, 85500-3**

<b>44685-1/44695-1/44775-1/44785-1/44795-1 XtremeV™ Blade Components</b>						
<b>Item Description</b>	<b>Part Number</b>					
	<b>7'6" SS</b>	<b>8'6" MS</b>	<b>8'6" SS</b>	<b>9'6" MS</b>	<b>9'6" SS</b>	
1 Moldboard Kit – DS	44822	44824	44826	44828	44830	
2 Moldboard Kit – PS	44823	44825	44827	44829	44831	
3 Frame, Base Angle & Springs – DS	44745	44746		44747		
4 Frame, Base Angle & Springs – PS	44748	44749		44750		
5 Flexible Blade Guide Set – 26"	27195					
6** Cutting Edge Kit w/Fasteners (3/8)	44740-2	44741-2		–		
Cutting Edge Kit w/Fasteners (1/2)	44742-2*	44743-2*		44744-2		
Cutting Edge Kit w/Fasteners (5/8)	–	85361*		85362*		
7 Center Cutting Edge Kit w/Fasteners	44894-1					
Center Cutting Edge Kit w/Fasteners (5/8)	85357*					
8 Center Cutting Edge – DS	44891-1					
Center Cutting Edge (5/8) – DS	85351*					
9 Center Cutting Edge – PS	44890-1					
Center Cutting Edge (5/8) – PS	85352*					
10 Cutting Edge (3/8)	44896-1	44897		–		
Cutting Edge (1/2)	44996-1*	44997*		44898		
Cutting Edge (5/8)	–	85355*		85356*		
11* Back Drag Edge Kit	44281-4	44282-3		44283-4		
12 Base Angle – DS	40340	40342		44110-1		
13 Base Angle – PS	40341	40343		44111-1		
14 Center Deflector Kit	44570			44571		
15* Blade Wing Extension Kit	–	44610-1				
16* Blade Stop Kit	44473					
17* Outrigger	44036					
18* Rubber Deflector Kit	44710					
19 Label – Warning/Caution, Snowplows	59900					
20 Label – Logo, STORM GUARD™ (MS)	–	26211	–	26211	–	
ns Label – Logo, FISHER® Splatter	20238					
ns Label – Logo, XtremeV	44464					
ns Blade Label Kit – V-Plows	42490*					

MS = Mild Steel                      SS = Stainless Steel                      ns = not shown

\* Accessory only.

\*\* Includes center cutting edge kit.

<b>Springs and Fasteners</b>								
<b>Item Part Description</b>	<b>Qty</b>			<b>Item Part Description</b>	<b>Qty</b>			
	<b>7'6"</b>	<b>8'6"</b>	<b>9'6"</b>		<b>7'6"</b>	<b>8'6"</b>	<b>9'6"</b>	
21 27241 1 x 2-3/4 Clevis Pin w/Cotter	6	8	8	32 3/8-16 Hex Locknut				
22 44028 V-Plow Pivot Pin	1	1	1	91333 For Mild Steel Moldboards	–	8	8	
23 90607 1/4 x 1-3/4 Cotter Pin	8	8	8	95410 For Stainless Steel Moldboards	8	8	8	
24 5572 5/8-11 x 2 Carriage Bolt G5	14	14	14	33 21452 Removable Spring Assembly	4	4	6	
25 91337 5/8-11 Hex Locknut GB	14	14	14	34 40905 Shoulder Bolt w/Locknut	4	4	6	
26† 66456 3/8-16 x 1-1/4 Hex Cap Screw G5	2	2	2	35 21450 Removable Spring Bar	4	4	6	
27† 91333 3/8-16 Hex Locknut GB	2	2	2	36 20181 1/4 x 1-1/4 Pin	4	4	6	
28* 63927 5/8 Flat Washer Type A Narrow	14	14	14	37 20191 Removable Spring Disc	4	4	6	
29* 90109 1/2-13 x 4-1/2 Hex Cap Screw G5	2	2	2	38 5323 Trip Spring	4	4	6	
30* 91335 1/2-13 Hex Locknut GB	2	2	2	ns 44763 Bolt Bag – Cutting Edge Kits (one side – 5 sets of fasteners)	2	2	2	
31 3/8-16 x 1 Button Cap Screw								
D6452 For Mild Steel Moldboards	–	8	8	ns 44790* Bolt Bag – Rubber Deflector	1	1	1	
98035 For Stainless Steel Moldboards	8	8	8					

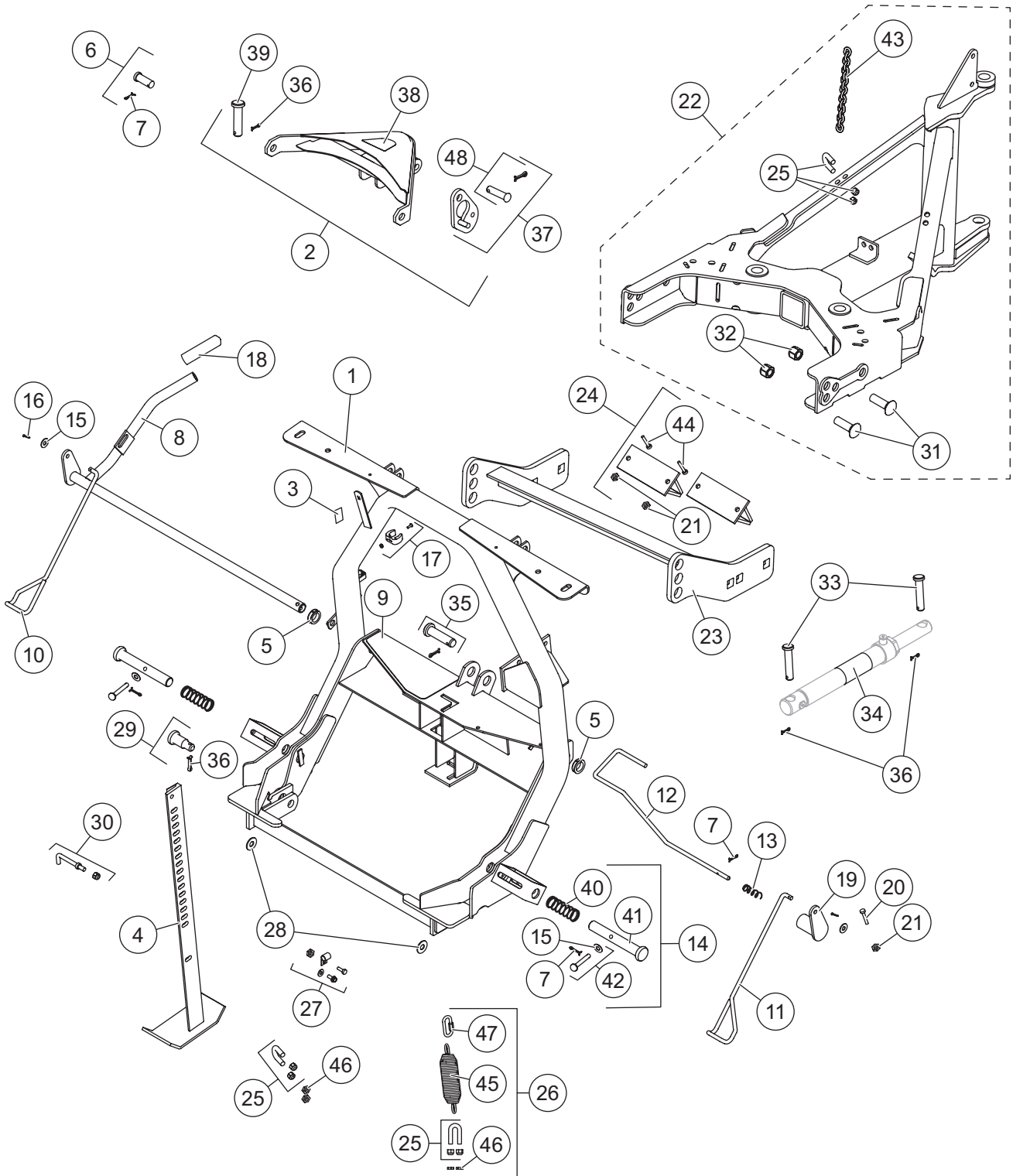
ns = not shown

\* Accessory only.

† Packed w/headgear.

G = Grade

### Headgear and T-Frame Components

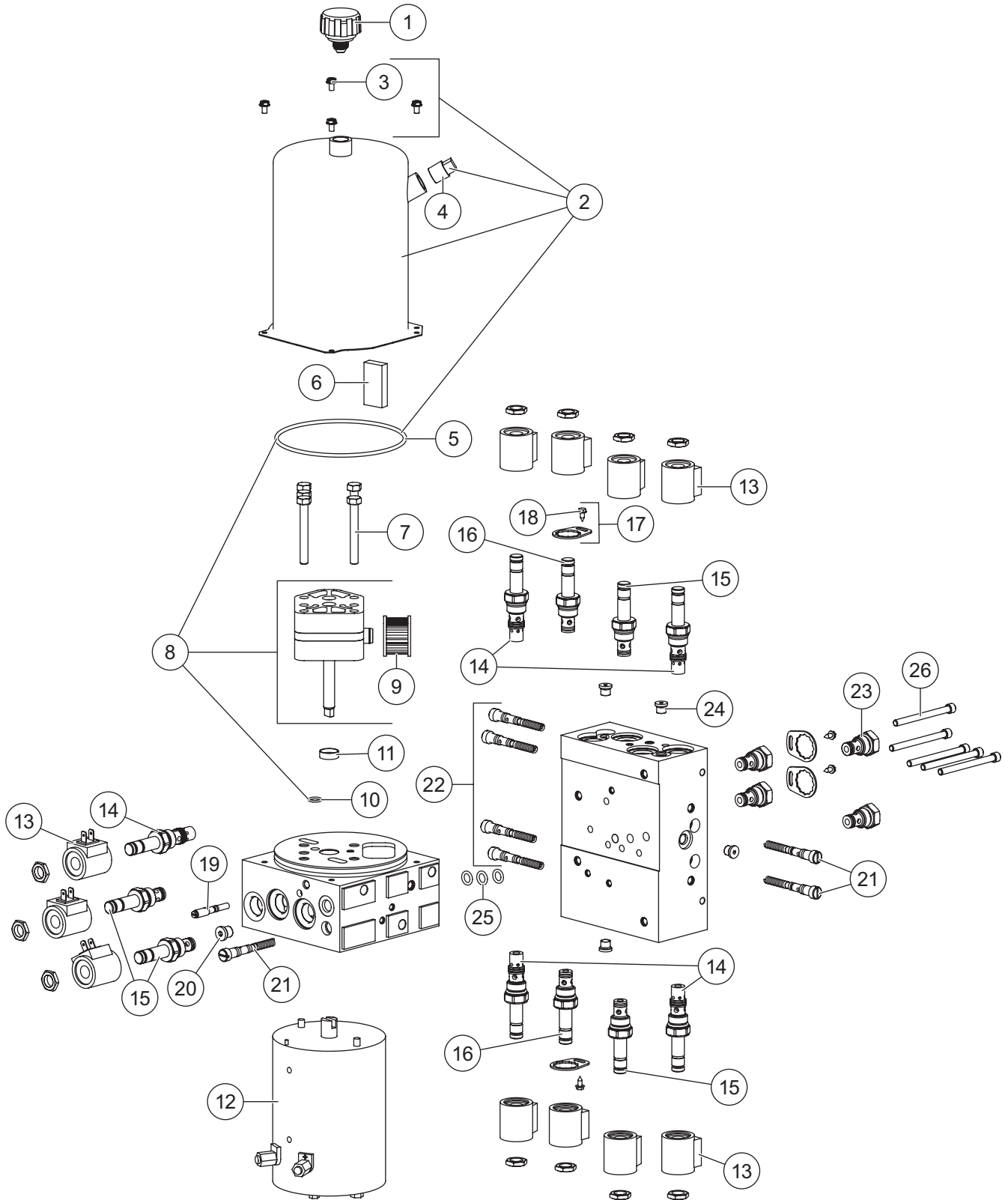


**44685-2, 44695-2, 44775-2, 44785-2, 44795-2  
85000-1, 85000-3, 85500-1, 85500-3**

XtremeV™ Headgear and T-Frame Components							
Item	Part	Qty	Description	Item	Part	Qty	Description
1	44558-2	1	Headgear	20	90043	1	3/8-16 x 2 Hex Cap Screw G5
2	28350-2	1	Lift Arm Service Kit (yellow)	21	91333	1	3/8-16 Hex Locknut GB
	27560-2	1	Lift Arm Service Kit (silver)	22†	44555-2	1	T-Frame Service Kit
3	69689	1	Label – Logo, SECURITY GUARD™	23	44556-2	1	Push Assembly
4	27462	1	Jack	24	50632	1	Stacking Stop – Short
5	27163K	1	Bushing Kit (pkg of 2)	ns	44554	1	Stacking Stop – Long
6	4289K	2	3/4 x 2 Machine Pin Packet	25	A6148K	1	U-Bolt Assembly Packet
7	90658	5	5/32 x 1-1/4 Cotter Pin	26	49521	1	Spring/U-Bolt/Link Kit
8	27468	1	Handle-Link Arm Assembly	27	27172K	1	Clamp Loop Kit
9	27451	1	Label – Attach/Detach, MM2 Headgear	28	91192	2	Round Flat Washer
10	27166K	1	Wire Cam Kit – DS	29	27177K	2	Step Pin Kit
11	27167K	1	Wire Cam Kit – PS	30	27164K	1	Handle Kit
12	27478	1	Jack Lock	31	69820	4	3/4-10 x 2-1/8 Carriage Bolt G5
13	27461	1	3/4 OD x 3-1/2 Compression Spring	ns	90459†	4	3/4-10 x 2-1/2 Hex Cap Screw G5
14	27168K	2	Connecting Pin Kit	32	91338	4	3/4-10 Hex Locknut GB
15	90315	4	3/8 Flat Washer Type A Wide	33	22260	4	1 x 4-3/4 Clevis Pin
16	91902	1	1/8 x 1 Cotter Pin	34	48847	2	Label – Logo, InstaLock Double-Acting Cylinder
17	27162K-1	1	Stop Clip Kit	35	43603	1	1 x 3-3/4 Clevis Pin Kit
18	27535	1	Handle Cover Kit	36	90601	6	1/4 x 1-1/2 Cotter Pin
19	27465	1	Link Arm				
<b>Item 2 28350-2 (yellow) / 27560-2 (silver) Lift Arm Service Kit</b>							
36	90601	1	1/4 x 1-1/2 Cotter Pin	38	26777	1	Nameplate – Logo, Minute Mount® 2
37	28991	1	Stop Link Kit	39	95720	1	1 x 3-5/16 Clevis Pin HT
<b>Item 6 4289K 3/4 x 2 Machine Pin Packet</b>							
		1	3/4 x 2 Machine Pin	7	90658	1	5/32 x 1-1/4 Cotter Pin
<b>Item 14 27168K Connecting Pin Kit</b>							
40	821	1	1 ID x 3-1/2 Compression Spring	42	26219	1	Clevis Pin Kit
41	26833	1	1 x 6-15/16 Pin				
<b>Item 22† 44555-2 T-Frame Service Kit</b>							
		1	T-Frame	31	69820	4	3/4-10 x 2-1/8 Carriage Bolt G5
	44028	1	V-Plow Pivot Pin (shown w/blade)	32	91338	4	3/4-10 Hex Locknut GB
25	A6148K	2	U-Bolt Assembly Packet	43	27912-1	1	Chain Grade 43, 5/16 x 54
<b>Item 24 50632 (short) / 44554 (long) Stacking Stop</b>							
		2	Stacking Stop	44	90201	2	3/8-16 x 1 Carriage Bolt G5
21	91333	2	3/8-16 Hex Locknut GB				
<b>Item 26 49521 Spring/U-Bolt/Link Kit</b>							
25	A6148K	1	U-Bolt Assembly Packet	46	91413	2	3/8-16 Hex Nut G5
45	27074	1	Spring	47	68340	1	Quick Link
<b>Item 29 27177K Step Pin Kit</b>							
		1	Step Pin	36	90601	1	1/4 x 1-1/2 Cotter Pin
<b>Item 37 28991 Stop Link Kit</b>							
		1	Stop Link	48	29037	1	5/8 x 2-5/8 Clevis Pin Kit HT G8
<b>Item 42 26219 Clevis Pin Kit</b>							
		1	Clevis Pin	15	90315	1	3/8 Flat Washer Type A Wide
7	90658	1	5/32 x 1-1/4 Cotter Pin				
ns = not shown				HT = Heat Treated		G = Grade	

† Four 3/4-10 x 2-1/2 hex cap screws (PN 90459) are required when pairing T-frame (PN 44555-2) with a push assembly with round holes.

### Hydraulic Unit Components

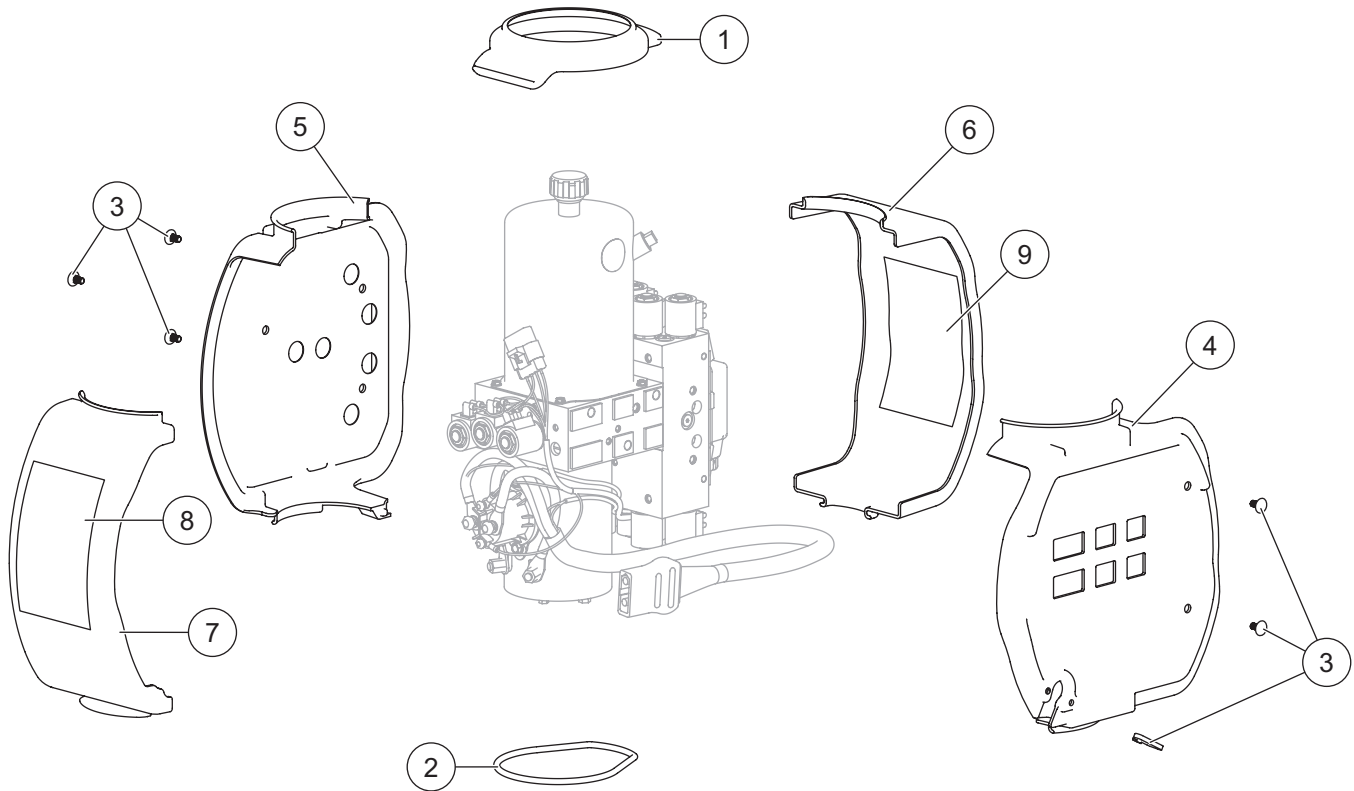




**44685-2, 44695-2, 44775-2, 44785-2, 44795-2  
85000-1, 85000-3, 85500-1, 85500-3**

<b>44330 Hydraulic Unit Components – XtremeV™</b>							
<b>Item</b>	<b>Part</b>	<b>Qty</b>	<b>Description</b>	<b>Item</b>	<b>Part</b>	<b>Qty</b>	<b>Description</b>
1	21727-2	1	Breather Pressure Control	18	63943	4	#8-18 x 3/8 Tapping Screw
2	44327-2	1	Reservoir Kit	19	56662	1	Quill Assembly 5/16-24 Thread
3	66607	4	#10-24 x 5/16 Machine Screw		48517	1	Quill Assembly 1/2-20 Thread
4	92079	1	Plug, Square 3/8 NPTF	20	44344	1	Plug, Hex Socket –4 M ORB
5	66519	1	O-Ring 2-250	21	7629K-4	1-1/2	Relief Valve Kit (2 sets)
6	73897	1	Magnet	22	44337	2	Relief Valve Kit (2 sets)
7	90080	5	5/16-18 x 2-1/2 Hex Cap Screw G5	23	44333-1	4	Check Valve CV08-20
8	44329-2	1	Pump Kit	24	92960	4	Plug, Hex Socket –3 M ORB
9	26781-4	1	Suction Filter	25	29077	3	O-Ring -110
10	56274	1	O-Ring -013	26	29081	5	1/4-20 x 3 Socket Cap Screw
11	66515	1	Pump Shaft Seal	ns	29099	2	1/4-20 x 1/4 Hex Washer-Head Thread-Rolling Screw
12	21500K-1	1	Motor Assembly 4-1/2	ns	44326	1	1/4-20 x 1/2 6-Lobe Round Washer Head Screw (pkg of 5)
13	7639K-2	11	Coil w/Spade Terminals	ns	44355	2	1/4-20 x 5/8 Hex Washer-Head Thread-Rolling Screw
14	44331	5	Valve SVCV08-20 w/Nut				
15	7634K-2	4	Valve SV08-2004 w/Nut				
16	44335	2	Valve SF08-2015 w/Nut				
17	44369	4	Valve Lock Ring w/Screw				
<b>Item 2</b>				<b>44327-2 Reservoir Kit</b>			
3	66607	4	#10-24 x 5/16 Machine Screw	5	66519	1	O-Ring 2-250
4	92079	1	Plug, Square 3/8 NPTF				
<b>Item 8</b>				<b>44329-2 Pump Kit</b>			
5	66519	1	O-Ring 2-250	10	56274	1	O-Ring -013
8	44329-2	1	Pump Kit	11	66515	1	Pump Shaft Seal
9	26781-4	1	Suction Filter				
<b>O-Ring Service Kits</b>							
–	7632K-5	–	Back-Up/O-Ring Kit (does not contain O-rings for cartridge valves)	–	49259-2	–	Seal Kit, Valves SV08-30, -31, -33, -40, -43, and SVCV08-20
–	49258-2	–	Seal Kit, Valves SV08-2004, CV08-20, SF08-2015				
ns = not shown				M = Male		G = Grade	

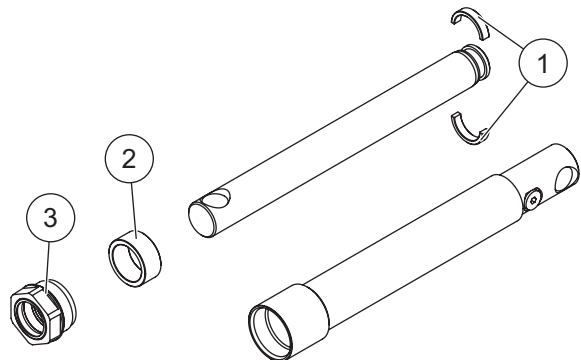
Hydraulic Unit Cover Assembly



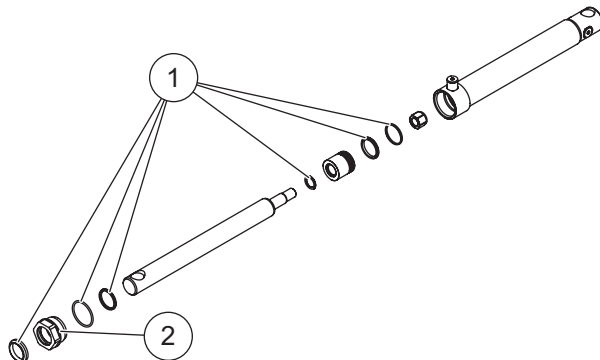
44324 Hydraulic Unit Cover Assembly							
Item	Part	Qty	Description	Item	Part	Qty	Description
1	44352	1	Top Retainer Ring	7	44304	1	Cover, Side 4
2	44366	1	Bottom Retainer Ring	8	44310	1	Label – Information (S1–S3)
3	44326	1	1/4-20 x 1/2 6-Lobe Round Washer-Head Screw (pkg of 5) w/8" Cable Tie	9	44319	1	Label – Information (S4–S11)
4		1	Cover, Side 1	ns	61536	1	Cable Tie 14"
5		1	Cover, Side 2	ns	44415	1	Label – Logo, Hydraulic Unit, XtremeV™
6	44303	1	Cover, Side 3				

ns = not shown

## Lift and Angle Ram Components

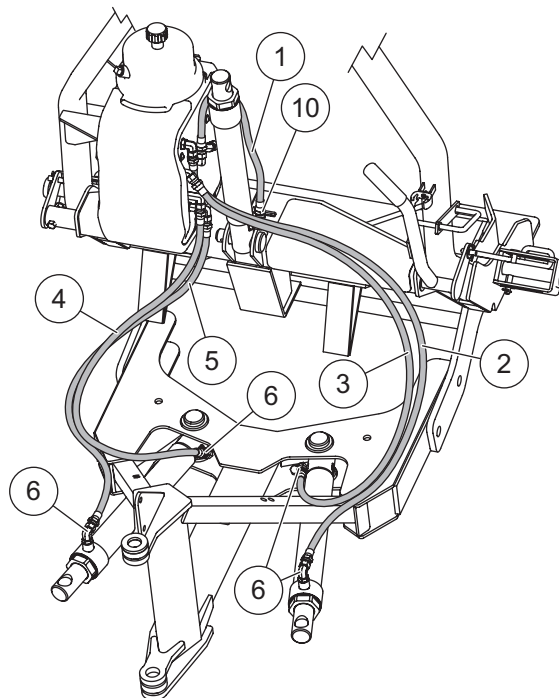
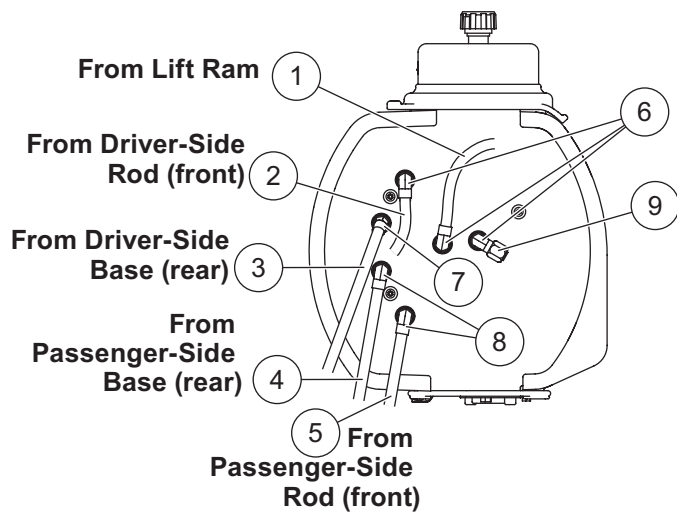


56600K Lift Ram Assembly 1-1/2 x 10			
Item	Part	Qty	Description
1	20118K	1	Split Bearing
2	56537	1	Spacer
3	48985	1	Gland Nut Assembly



44340 Angle Ram Assembly 1-3/4 x 11 DA			
Item	Part	Qty	Description
1	44342	1	Seal Kit 1-3/4 DA Ram
2	48985	1	Gland Nut Assembly

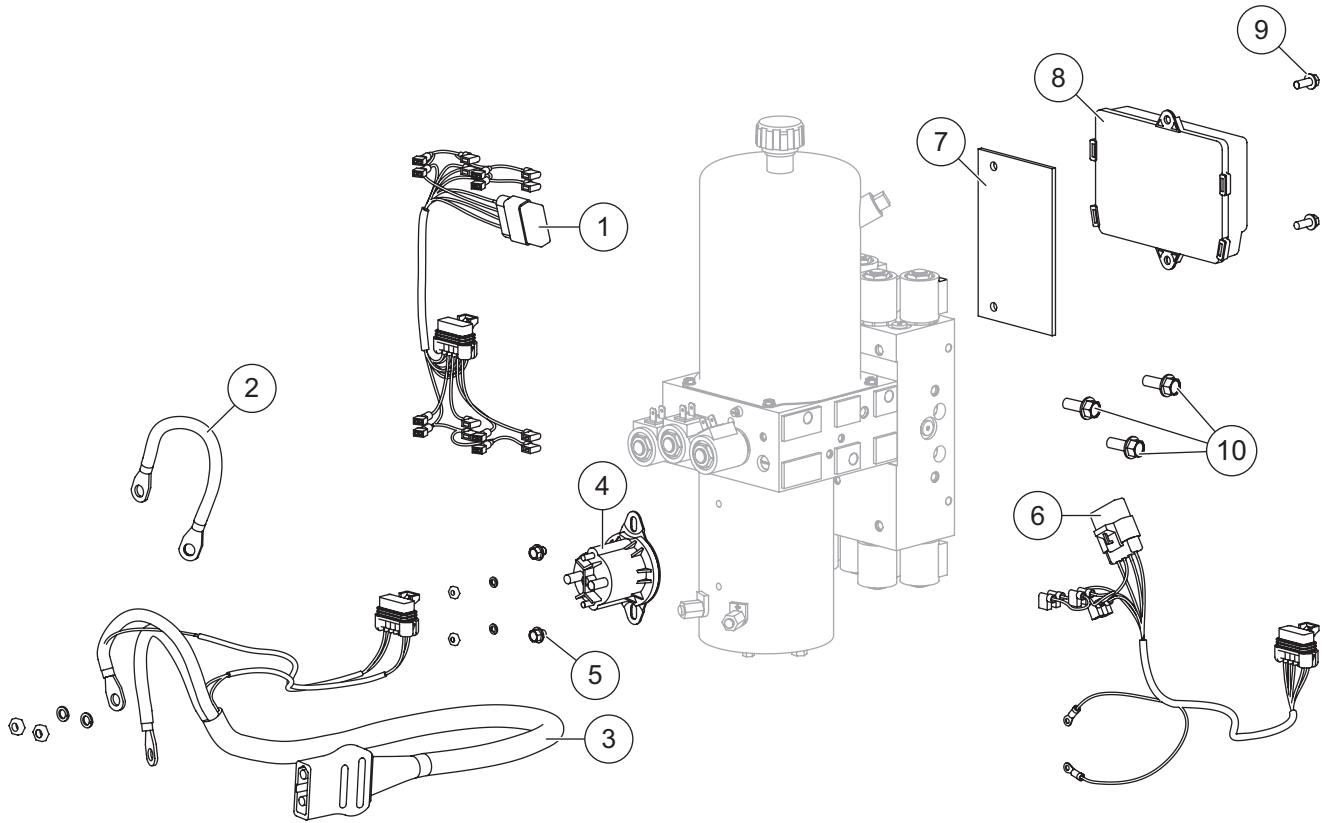
## Hoses and Fittings



Hoses and Fittings							
Item	Part	Qty	Description	Item	Part	Qty	Description
1	56592	1	Hose, 1/4 x 16 w/F JIC Ends	8	44361	2	Elbow, Extra Long 90° -6 M JIC/-6 M ORB
2	56591	1	Hose, 1/4 x 42 w/F JIC Ends	9	44345	1	Drain Cap, -6 F JIC
3	44348	1	Hose, 3/8 x 42 w/F JIC Ends	10	77929	1	Elbow, 90° -6 M JIC/-6 M ORB w/Screen
4	44315	1	Hose, 3/8 x 38 w/F JIC Ends	ns	56823	2	Hose Wrap, Polyethylene
5	56599	1	Hose, 1/4 x 36 w/F JIC Ends				
6	56725	7	Elbow, 90° -6 M JIC/-6 M ORB				
7	56726	1	Elbow, 45° -6 M JIC/-6 M ORB				

F = Female                                      ns = not shown                                      M = Male

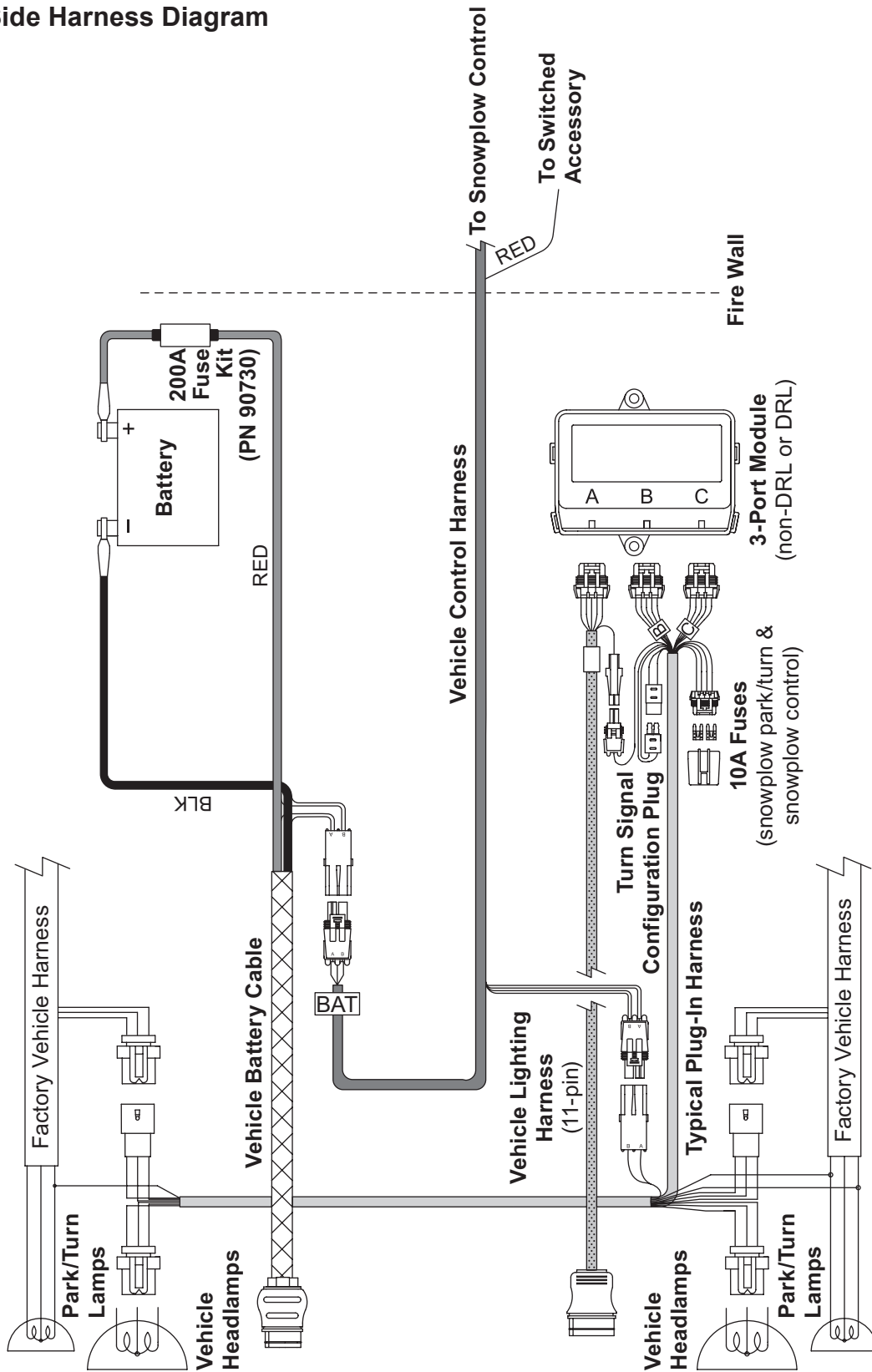
Electrical Components



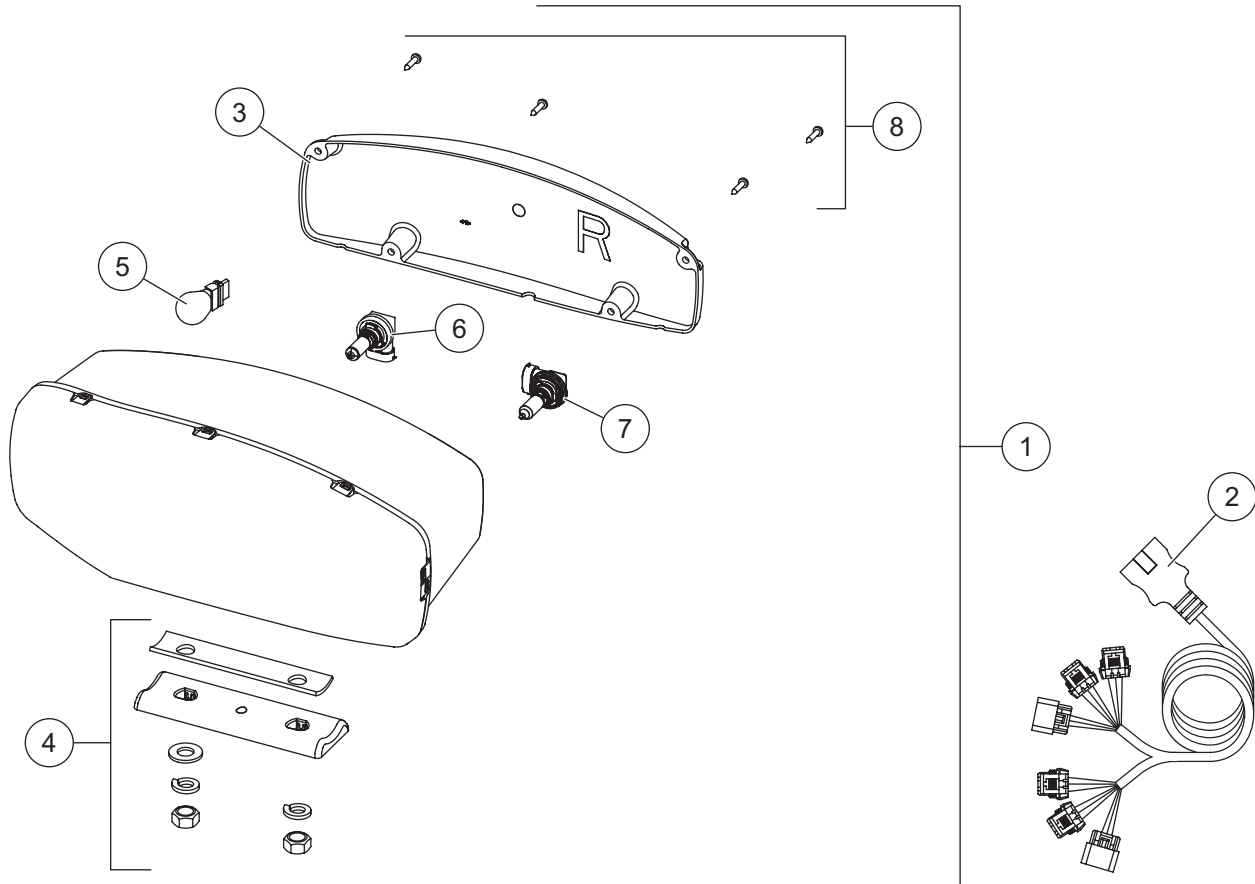
Plow-Side Electrical Components						
Item	Part	Qty	Description	Item	Part	Qty Description
1	28583	1	Plow Control Harness, 8-Solenoid	9	44355	2 1/4-20 x 5/8 Hex Washer-Head Thread-Rolling Screw
2	29071	1	Cable Assembly 8"	10	72384-1	1 3/8-16 x 1 Serrated Flange Hex Cap Screw (pkg of 3)
3	42015	1	Snowplow Battery Cable	ns	8284K	1 Cable Boot
4	42901	1	Motor Relay Kit FLEET FLEX System	ns	8329K	2 Dielectric Grease (pkg of 2)
5	29099	2	1/4-20 x 1/4 Hex Washer-Head Thread-Rolling Screw	ns		4 Fuse, 4A Mini Automotive-Style (for items 1 and 6)
6	28581-1	1	Plow Control Harness, 3-Solenoid			
7	44308	1	Spacer Module			
8	44354-3	1	Plow Module			
Vehicle-Side Electrical Components						
*	72527	1	Vehicle Battery Cable	*	90730	1 200A Fuse Kit
*	28587	1	Vehicle Control Harness	ns	61548K	2 Plug Cover Kit
ns = not shown						

\* For diagram see Vehicle-Side Harness Diagram.

Vehicle-Side Harness Diagram

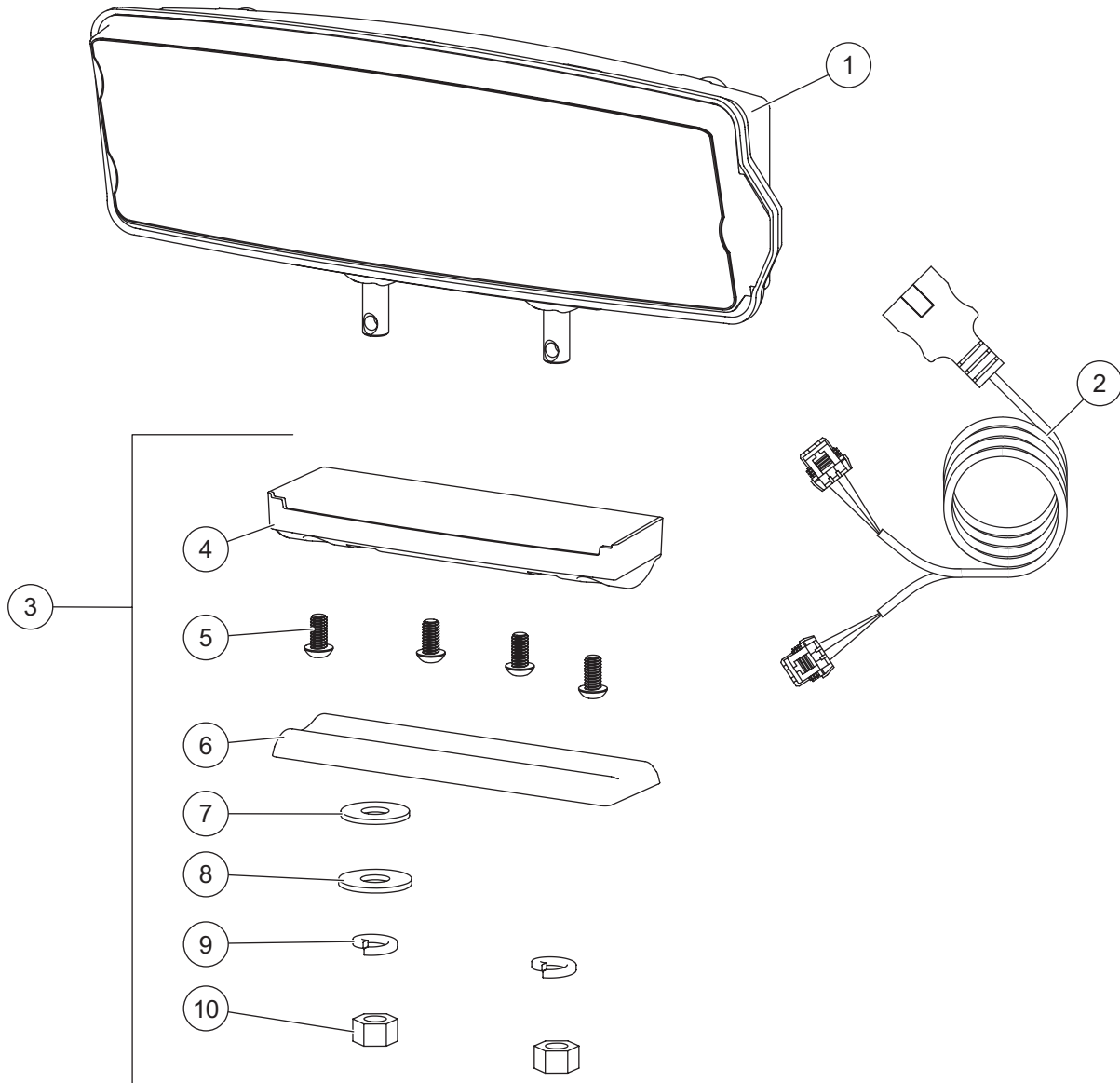


Headlamp Kit – Halogen



38800 Headlamp Kit H9/H11 (pair)							
Item	Part	Qty	Description	Item	Part	Qty	Description
1	38802	1	Headlamp Service Kit H9/H11 – PS	2	38807	1	Harness Service Kit H9/H11
ns	38801	1	Headlamp Service Kit H9/H11 – DS				
<b>Item 1</b>				<b>38801/38802 Headlamp Service Kit H9/H11 – PS/DS</b>			
3	38803	1	Rear Cover Kit H9/H11 – PS	6	38811	1	Headlamp Bulb Service Kit H11
ns	38812	1	Rear Cover Kit H9/H11 – DS	7	38809	1	Headlamp Bulb Service Kit H9
4	38804	1	Mounting Hardware Kit H9/H11	8	38808	1	Cover Screws Service Kit H9/H11 (pkg of 4)
5		1	Park/Turn Bulb (trade no. 4157NAK)				
ns = not shown							

Headlamp Kit – LED



Headlamp Kit LED							
Item	Part	Qty	Description	Item	Part	Qty	Description
1	39901	1	Headlamp Service Kit LED – DS	3	39903	1	Mounting Hardware Kit LED
ns	39902	1	Headlamp Service Kit LED – PS	ns	72512	1	LED Harness Connector Cover (pkg of 2)
2	72548	1	Harness Service Kit LED				
<b>Item 3</b>				<b>39903 Mounting Hardware Kit LED</b>			
4		1	Plastic Casing	8		1	1/2 Flat Washer
5		4	1/4 Button Cap Screw	9		2	1/2 Lock Washer
6		1	Headlamp Swivel	10		2	1/2 Hex Nut
7		1	1/2 Rubber Washer	ns		1	Metal Insert

ns = not shown

**44685-2, 44695-2, 44775-2, 44785-2, 44795-2  
85000-1, 85000-3, 85500-1, 85500-3**

---



Fisher Engineering  
50 Gordon Drive  
Rockland, ME 04841-2139  
[www.fisherplows.com](http://www.fisherplows.com)

**A DIVISION OF FISHER, LLC**

Copyright © 2022 Douglas Dynamics, LLC. All rights reserved. This material may not be reproduced or copied, in whole or in part, in any printed, mechanical, electronic, film, or other distribution and storage media, without the written consent of Fisher Engineering. Authorization to photocopy items for internal or personal use by Fisher Engineering outlets or snowplow owner is granted.

Fisher Engineering reserves the right under its product improvement policy to change construction or design details and furnish equipment when so altered without reference to illustrations or specifications used. Fisher Engineering or the vehicle manufacturer may require or recommend optional equipment for snow removal. Do not exceed vehicle ratings with a snowplow. Fisher Engineering offers a limited warranty for all snowplows and accessories. See separately printed page for this important information. The following are registered (®) or unregistered (™) trademarks of Douglas Dynamics, LLC: FISHER®, Minute Mount® 2, SECURITY GUARD™, STORM GUARD™, XtremeV™.

**Printed in U.S.A.**