



**8600**

**SPEEDWING™ Snowplow**

**Blade Assembly 77740**

**Big Box Assembly 77840-1, 77840-3**

**Parts List**





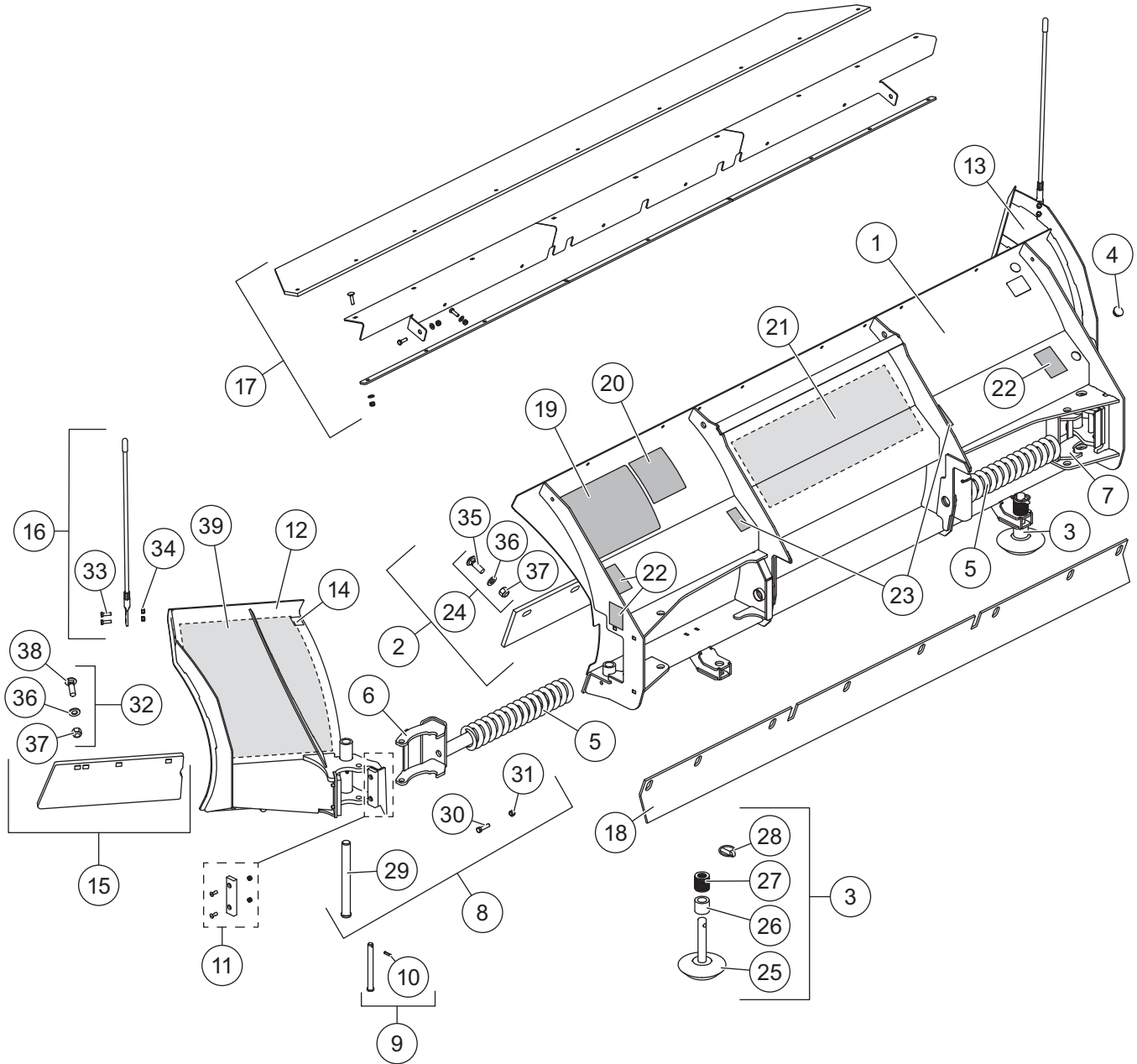
# TABLE OF CONTENTS

---

<b>SPEEDWING™ BLADE ASSEMBLY</b> .....	4
<b>A-FRAME ASSEMBLY</b> .....	8
<b>HEADGEAR ASSEMBLY</b> .....	10
<b>HYDRAULIC AND ELECTRICAL COMPONENTS</b> .....	12
Hydraulic Unit.....	12
Lift and Angle Rams .....	14
Hoses and Fittings.....	15
Electrical Components.....	16
<b>VEHICLE-SIDE HARNESS DIAGRAM</b> .....	17
<b>HEADLAMP KITS</b> .....	18–19

# SPEEDWING™ BLADE ASSEMBLY

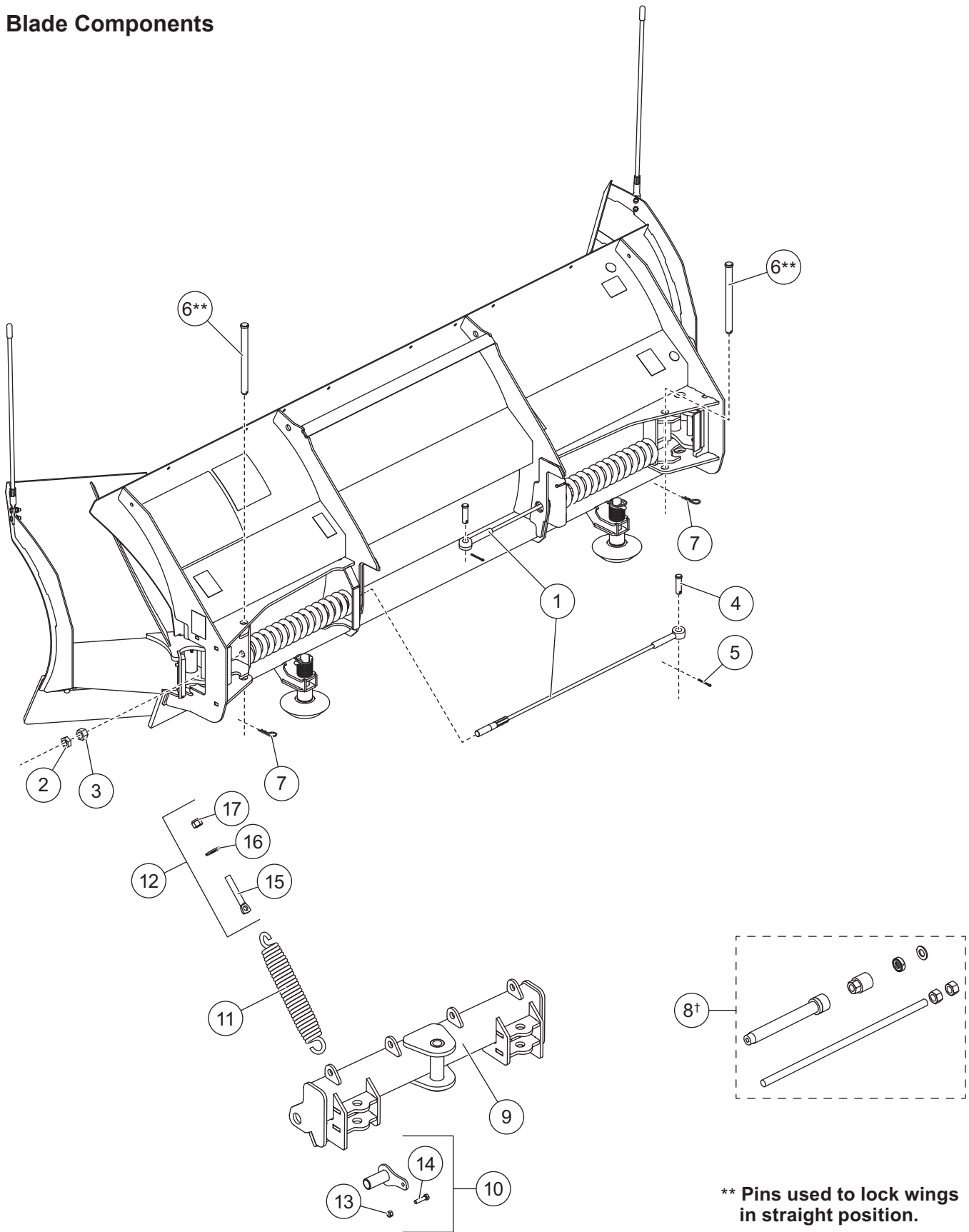
## Blade Components





# SPEEDWING™ BLADE ASSEMBLY

## Blade Components



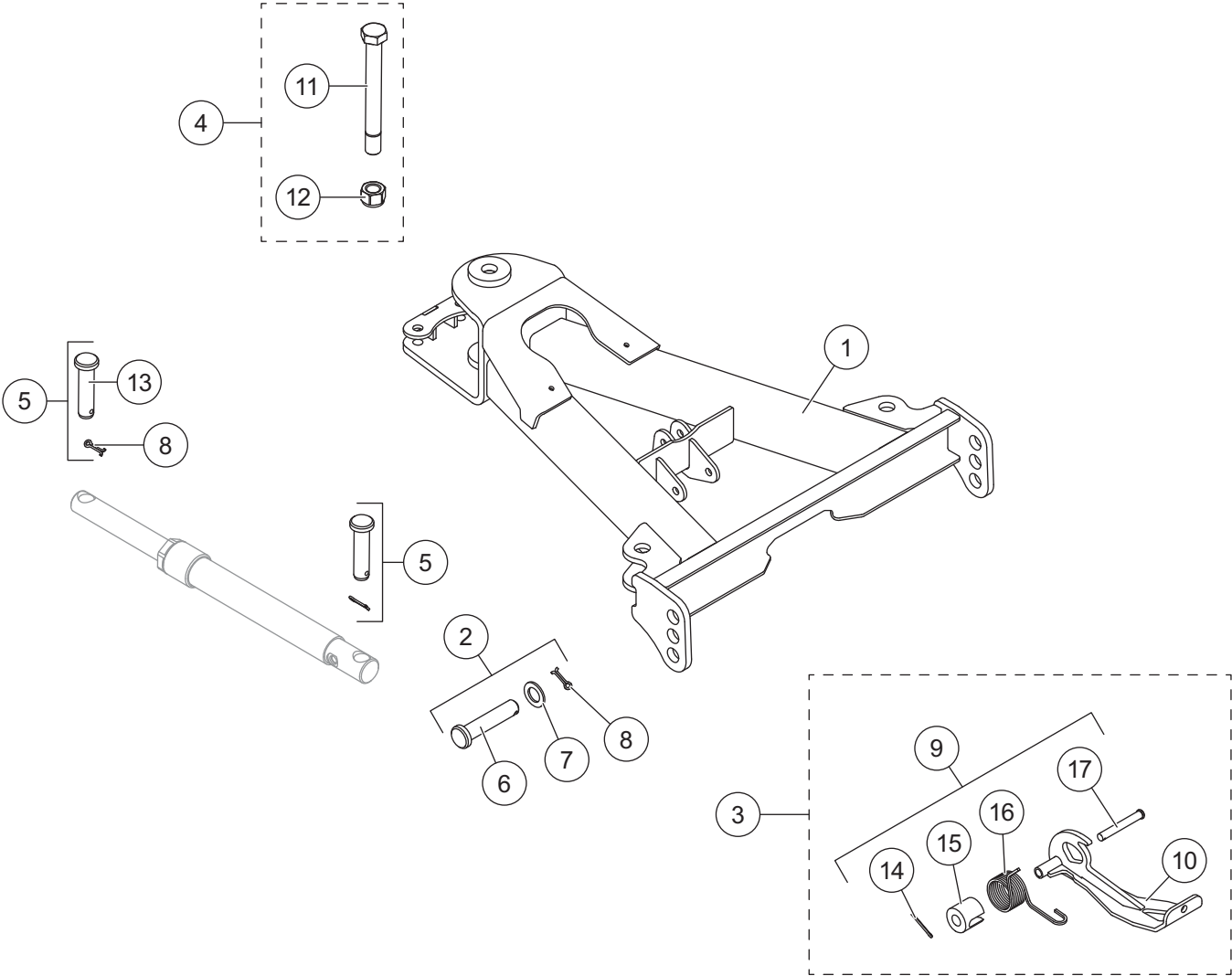
# SPEEDWING™ BLADE ASSEMBLY

<b>Blade Components – SPEEDWING</b>							
<b>Item</b>	<b>Part</b>	<b>Qty</b>	<b>Description</b>	<b>Item</b>	<b>Part</b>	<b>Qty</b>	<b>Description</b>
1	42389	2	Cable Assembly w/Hardware (incl. items 2–5)	7	91962	2	1/8 Hairpin Cotter
2	B61615	2	3/4-10 Hex Jam Nut	8†	69780	–	Wing Spring Removal Tool
3	B61343	2	3/4-10 Hex Nut	9	84577	1	Quadrant
4	B61563	2	0.625 x 2.33 Clevis Pin	10	42388	2	Pivot Bushing Kit
5	90601	2	1/4 x 1-1/2 Cotter Pin	11	23039	4	Trip Spring
6	42738	2	3/4 x 9 Clevis Pin	12	83990	4	Trip Spring Eyebolt Kit
<b>Item 10</b>				<b>42388 Pivot Bushing Kit</b>			
13		2	3/8-16 Hex Locknut GB	14		2	3/8-16 x 1-1/2 Hex Cap Screw G5
<b>Item 12</b>				<b>83990 Trip Spring Eyebolt Kit</b>			
15		4	5/8-11 x 4 Eyebolt G2	17		4	5/8-11 Hex Locknut GB
16		4	5/8 Hardened Flat Washer				
G = Grade							

† Service tool.

# A-FRAME ASSEMBLY

## A-Frame Components



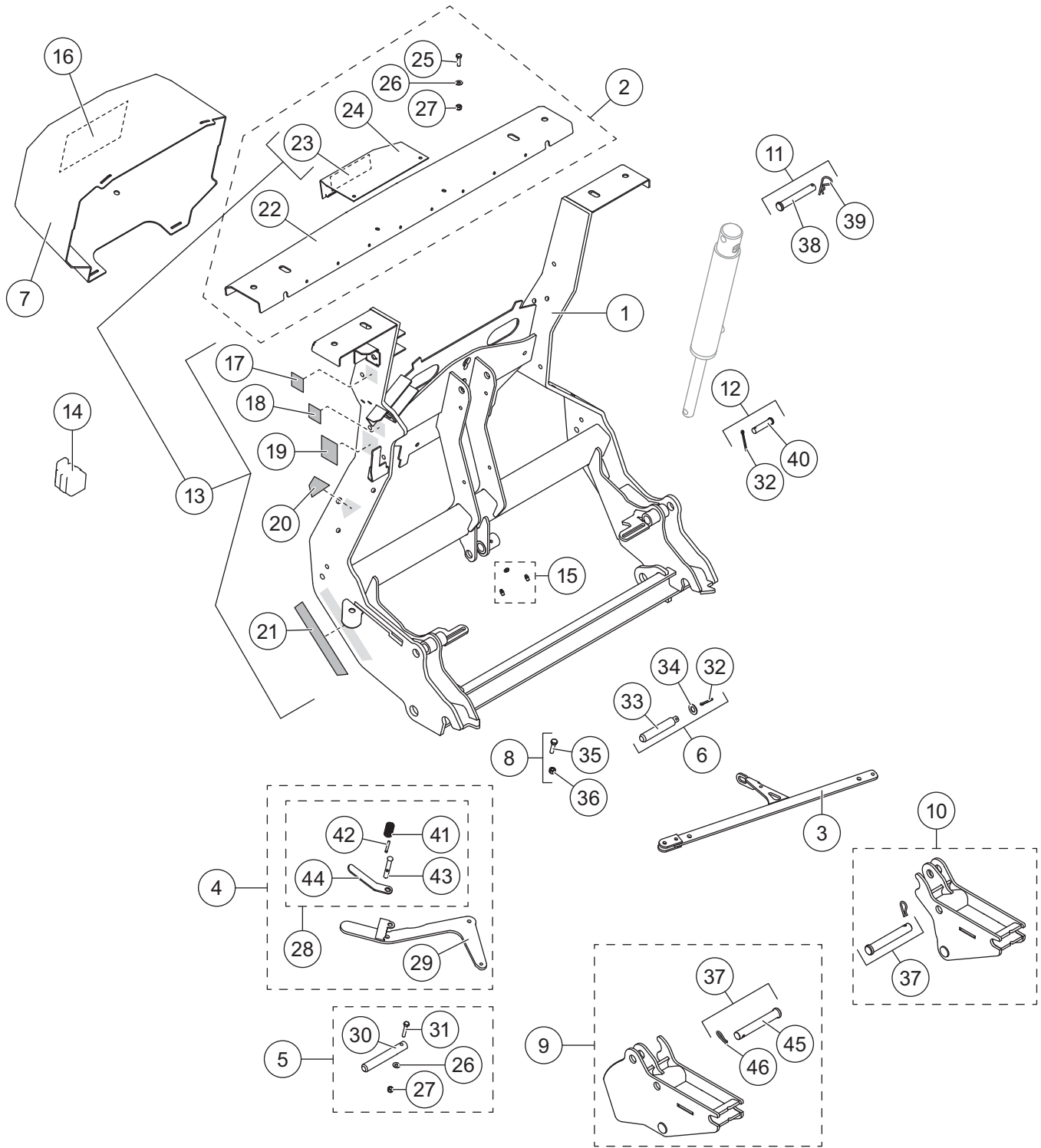


## A-FRAME ASSEMBLY

A-Frame Components							
Item	Part	Qty	Description	Item	Part	Qty	Description
1	84590	1	A-Frame – SW	4	49768	1	Pivot Bolt Kit
2	84623	2	A-Frame Pin Kit	5	57968	4	1 x 4 Clevis Pin Kit
3	84593	1	Stand Kit				
<b>Item 2</b>				<b>84623 A-Frame Pin Kit</b>			
6		1	1 x 4-3/4 Clevis Pin	8		1	1/4 x 1-1/2 Cotter Pin
7		1	1" Flat Washer Special				
<b>Item 3</b>				<b>84593 Stand Kit</b>			
9	84615	1	Stand Hardware Kit	10		1	Stand
<b>Item 4</b>				<b>49768 Pivot Bolt Kit</b>			
11		1	1-8 x 9 Hex Cap Screw Special G5	12		1	1-8 Hex Locknut GB
<b>Item 5</b>				<b>57968 1 x 4 Clevis Pin Kit</b>			
8		1	1/4 x 1-1/2 Cotter Pin	13		1	1 x 4 Clevis Pin
<b>Item 9</b>				<b>84615 Stand Hardware Kit</b>			
14		1	5/32 x 1-1/2 Cotter Pin	16		1	Stand Torsion Spring
15		1	Stand Spring Spacer	17		1	1/2 x 3-11/16 Clevis Pin
G = Grade							

# HEADGEAR ASSEMBLY

## Headgear Components



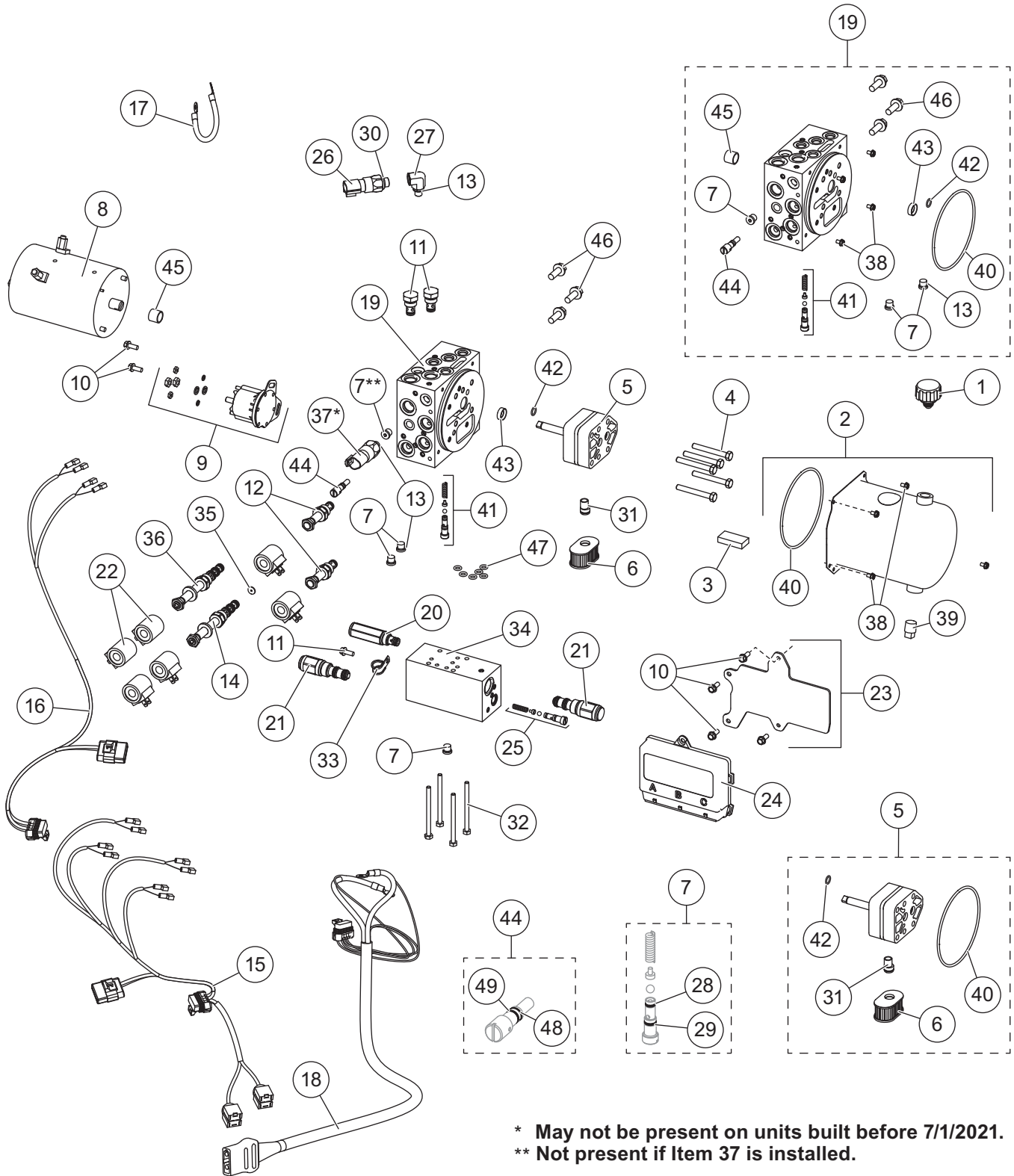
# HEADGEAR ASSEMBLY

Headgear Components							
Item	Part	Qty	Description	Item	Part	Qty	Description
1	84622	1	Headgear (incl. item 15)	11	84632	1	Lift Ram Base Pin Kit
2	84624	1	Light Bar Channel	12	84627	1	Lift Ram Rod Pin Kit
3	84599	1	Link Arm	13	84647	1	Headgear Label Kit
4	84595	1	Attach Handle Kit	14	61246	1	Cable Boot
5	84603	2	Attach Pin Kit	15	84616	1	Grease Zerk (pkg of 3)
6	84601	1	Link Arm Jack Stand Pin Kit	16	43861	1	Label – Hydraulic Info, SPEEDWING™
7	84650	1	Hydraulic Cover – SW (incl. item 16)	17	52206	1	Label – Power Switch, Automatixx®
8	84635	1	Link Arm/Attach Handle Fastener Kit	18	52207	1	Label – Operation Switch, Automatixx
9	84608	1	Receiver Kit – DS	19	69689	1	Label – Logo, SECURITY GUARD™
ns	85121 <sup>‡</sup>	1	Receiver Kit, Tall – DS	20	77717	1	Label – Upper, Automatixx
10	84609	1	Receiver Kit – PS	21	77719	1	Label – Lower, Automatixx
ns	85122 <sup>‡</sup>	1	Receiver Kit, Tall – PS				
<b>Item 2 84624 Light Bar Channel</b>							
22		1	Light Bar	25		2	1/4-20 x 1 Hex Cap Screw G5
23	77727	1	Label – Logo, SnowEx® Light Bar	26		2	1/4 Flat Washer
24		1	Light Bar Top Plate, Center	27		2	1/4-20 Hex Locknut GB
<b>Item 4 84595 Attach Handle Kit</b>							
28	84596	1	Attach Handle Release Cam Kit	29	84779	1	Handle
<b>Item 5 84603 Attach Pin Kit</b>							
26		1	1/4 Flat Washer	30		1	Hitch Pin
27		1	1/4-20 Hex Locknut GB	31		1	1/4-20 x 1-1/2 Hex Cap Screw SS
<b>Item 6 84601 Link Arm Jack Stand Pin Kit</b>							
32		1	5/32 x 1-1/2 Cotter Pin	34		1	1/2 Flat Washer Type B Narrow SS
33		1	Stand Actuator Pin				
<b>Item 8 84635 Link Arm/Attach Handle Fastener Kit</b>							
35		1	5/16-18 x 1-1/4 Hex Cap Screw G5	36		1	5/16-18 Hex Locknut GB
<b>Item 9 84608 Receiver Kit – DS</b>							
		1	Receiver – DS	37	84611	1	Receiver Pin Kit
<b>Item 10 84609 Receiver Kit – PS</b>							
		1	Receiver – PS	37	84611	1	Receiver Pin Kit
<b>Item 11 84632 Lift Ram Base Pin Kit</b>							
38		1	5/8 x 4-1/4 Clevis Pin	39		1	1/8 Hairpin Cotter
<b>Item 12 84627 Lift Ram Rod Pin Kit</b>							
32		1	5/32 x 1-1/2 Cotter Pin	40		1	1/2 x 2-1/8 Clevis Pin HT
<b>Item 13 84647 Headgear Label Kit</b>							
17	52206	1	Label – Power Switch, Automatixx	20	77717	1	Label – Logo, Automatixx Upper
18	52207	1	Label – Operation Switch, Automatixx	21	77719	1	Label – Logo, Automatixx Lower
19	69689	1	Label – Logo, SECURITY GUARD	23	77727	1	Label – Logo, SnowEx Light Bar
<b>Item 28 84596 Attach Handle Release Cam Kit</b>							
41		1	Stand Lock Pin Spring	43		1	Handle Lock Pin
42		1	3/16 x 1-3/8 Roll Pin SS	44		1	Handle Lock Pin Lever
<b>Item 37 84611 Receiver Pin Kit</b>							
45	95739	1	3/4 x 5 Clevis Pin HT	46	42142	1	R-Pin Cotter
ns = not shown		SS = Stainless Steel		HT = Heat Treated		G = Grade	

<sup>‡</sup> Refer to the SPEEDWING Snowplow Installation Instructions to confirm when tall receivers are required.

# HYDRAULIC AND ELECTRICAL COMPONENTS

## Hydraulic Unit Components



# HYDRAULIC AND ELECTRICAL COMPONENTS

<b>52648 Hydraulic Unit</b>							
<b>Item</b>	<b>Part</b>	<b>Qty</b>	<b>Description</b>	<b>Item</b>	<b>Part</b>	<b>Qty</b>	<b>Description</b>
1	48278	1	Breather	20	42889	1	Relief Valve 4000 psi
2	52289	1	Reservoir Kit	21	42888	2	Counterbalance Valve 1400 psi
3	73897	1	Magnet	22	52294	6	Coil
4	90073	5	5/16-18 x 2-1/4 Hex Cap Screw G5	23	52293	1	Plate, Module
ns	52252	1	Seal Repair Tool Kit w/Seal	24	52292-1	1	Module, Plow Control
5	52288	1	Hydraulic Pump Kit	25	52284	1	Relief Valve (1 set)
6	48281	1	Filter	26	52296	1	Pressure Switch
7	44344	4	Plug, Hex Socket –4 M ORB	27	52295	1	Elbow, 90° –4 M ORB/–6 F ORB
ns	52251	1	Bearing Repair Tool Kit w/Bearing	28	55371	2	O-Ring -008
8	52281	1	Motor	29	25731	2	O-Ring -010
9	52290	1	Motor Relay Kit, FLEET FLEX System	30	56569	1	O-Ring -906
10	44355	7	1/4-20 x 5/8 Hex Washer-Head Thread-Rolling Screw	31	10887	1	Inlet Fitting
11	84934	2	Check Valve	32	90696	4	1/4-20 x 3-1/2 Hex Cap Screw G5
12	84936	2	Valve, 2-Way NC w/Rev Flow	33	65340	1	Clamp Loop #10
13	44343	6	O-Ring -904	34	52262	1	Secondary Manifold Assembly w/o Valves (incl. items 16, 36, 48)
14	52285	1	Valve, 4-Way, 3-Position Closed Center	35	52541	1	Orifice Disc 0.060
15	70448	1	Plow Control Harness, 4-Coil	36	84937	1	Valve, 4-Way, 3-Position
16	52077	1	Plow Control Harness, 2-Coil	ns		3	Fuse, 5A Mini Automotive-Style (for items 25 and 26)
17	29071	1	Vehicle Battery Cable 8"	37*	86853	1	Pressure Switch (Scrape Maxx™ down-force feature)
18	52291	1	Snowplow Battery Cable				
19	52258	1	Manifold Assembly w/o Valves SW				
<b>Item 2</b>				<b>52289 Reservoir Kit</b>			
38	66607	4	#10-24 x 5/16 Machine Screw	40	66519	1	O-Ring 2-250
39	92079	1	Plug, Square 3/8 NPTF				
<b>Item 20</b>				<b>52258 Manifold Assembly w/o Valves SW</b>			
7	44344	3	Plug, Hex Socket –4 M ORB	43†	66515	1	Pump Shaft Seal
13	44343	3	O-Ring -904	44	48517	1	Quill
38	66607	4	#10-24 x 5/16 Machine Screw	45‡	56364	1	Bearing Sleeve
40	66519	1	O-Ring 2-250	46	D6452	3	3/8-16 x 1 Hex Serrated Flange Screw
41	52282	1	Relief Valve (1 set)	47	43818	6	O-Ring -109
42	56274	1	O-Ring -013				
<b>Item 41</b>				<b>52282 Relief Valve</b>			
29	55371	1	O-Ring -008	30	25731	1	O-Ring -010
<b>Item 44</b>				<b>48517 Quill</b>			
48	48239	1	O-Ring -106	49	48240	1	Back-Up Ring -106
<b>O-Ring Service Kits</b>							
–	52298-2	–	O-Ring Kit	–	48310	–	Seal Kit, 2-Way Valves
–	48309	–	Seal Kit, 3-Way & 4-Way Valves	–	52303	–	Seal Kit, 3-Way Valves (for item 31)
		ns = not shown				F = Female	
						M = Male	
						G = Grade	

\* May not be present on units built before 7/1/2021.

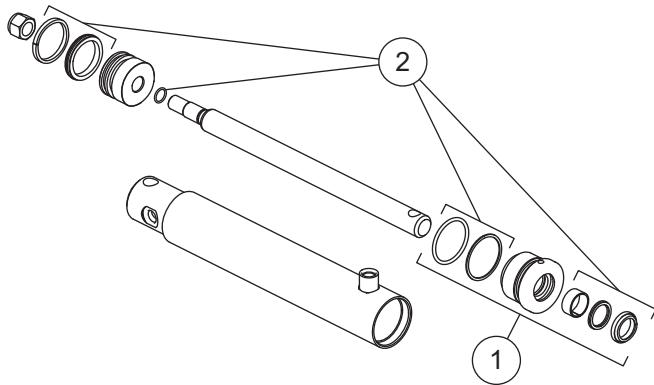
† Use 52252 tool to install.

‡ Use 52251 tool to install.

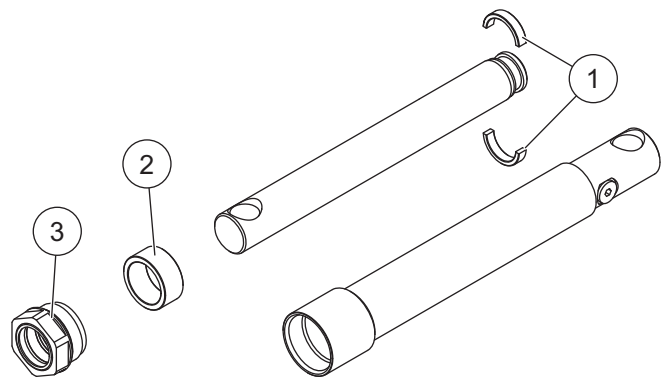
Go to [www.snowexproducts.com](http://www.snowexproducts.com) for hydraulic unit service information and specifications.

# HYDRAULIC AND ELECTRICAL COMPONENTS

## Lift and Angle Ram Components



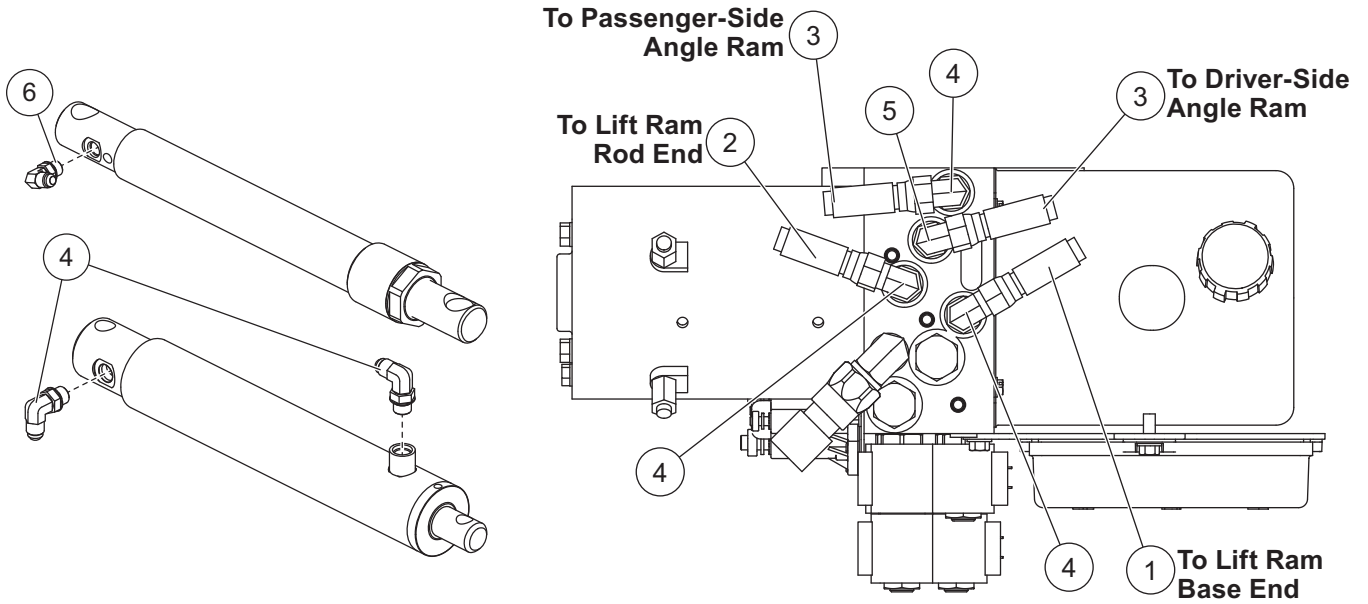
84420 Lift Ram Assembly 2 x 9-3/4 DA			
Item	Part	Qty	Description
1	49499	1	1" Gland Nut Assembly
2	48520	1	Seal Kit 2" DA Ram



84421 Angle Ram Assembly 1-1/2 x 12			
Item	Part	Qty	Description
1	57879	1	Split Bearing Kit
2	56537	1	Spacer
3	48985	1	Gland Nut Assembly

# HYDRAULIC AND ELECTRICAL COMPONENTS

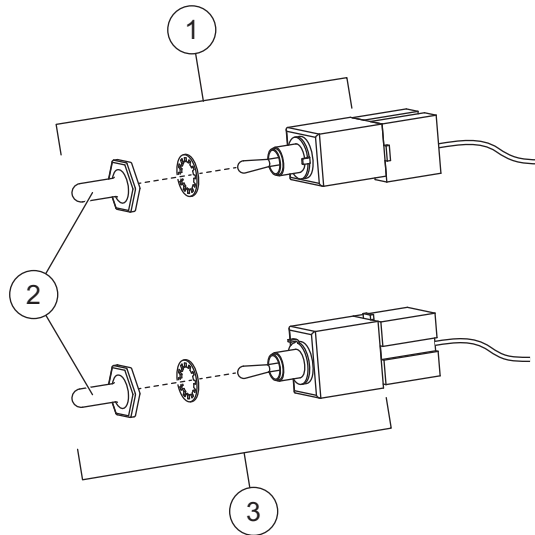
## Hoses and Fittings



Hoses and Fittings							
Item	Part	Qty	Description	Item	Part	Qty	Description
1	84446	1	Hose, 1/4 x 14 w/F JIC Ends	5	40572	1	Elbow, Extra Long 90° -6 M JIC/-6 M ORB
2	40570	1	Hose, 1/4 x 22 w/F JIC Ends	6	77929	1	Elbow, 90° -6 M JIC/-6 M ORB w/Screen
3	52304	2	Hose, 3/8 x 36 w/F JIC Ends				
4	40571	6	Elbow, 90° -6 M JIC/-6 M ORB				
ns	56823	1	Hose Wrap				
			F = Female			ns = not shown	M = Male

# HYDRAULIC AND ELECTRICAL COMPONENTS

## Electrical Components



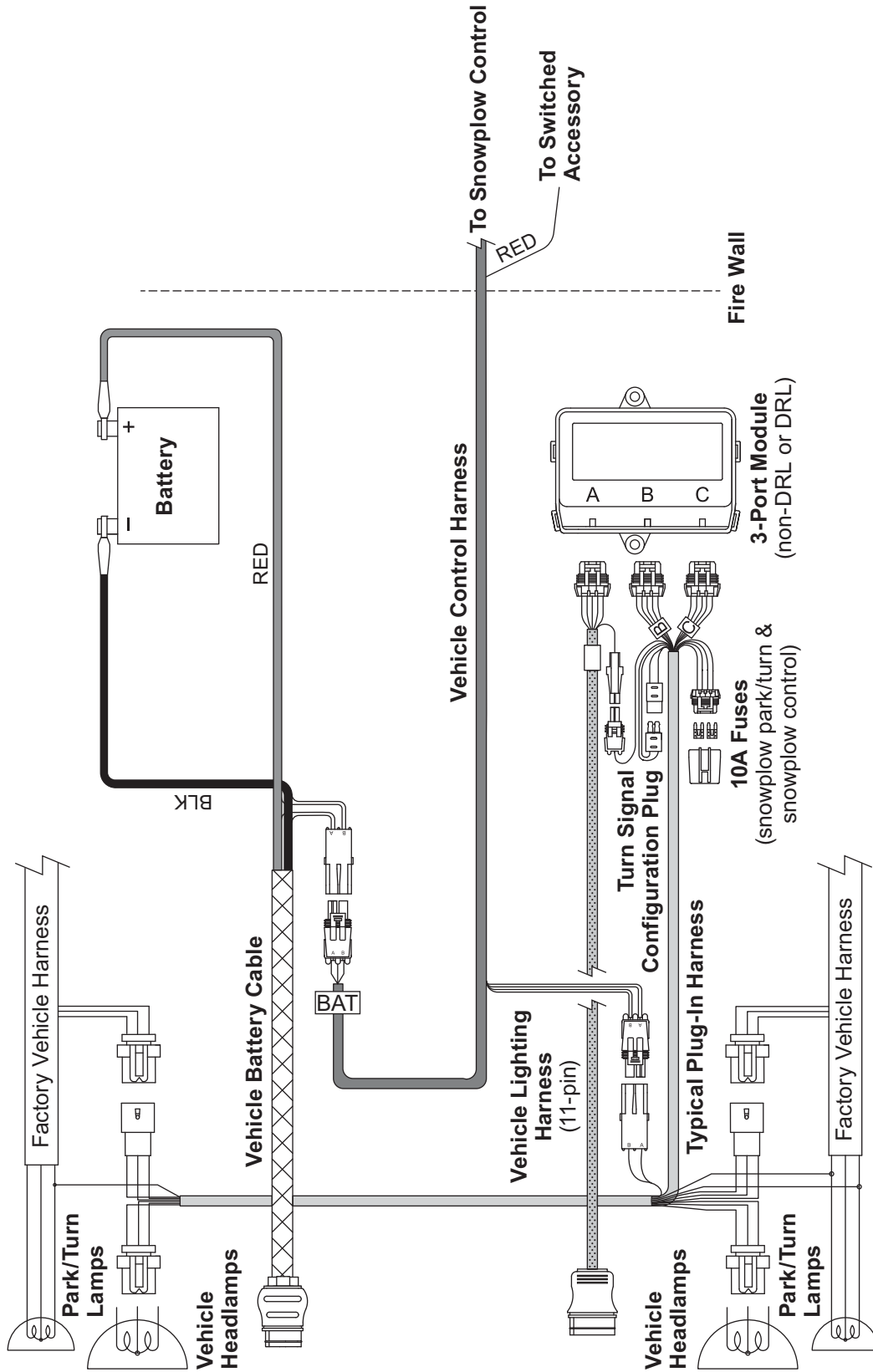
Plow-Side Electrical Components							
Item	Part	Qty	Description	Item	Part	Qty	Description
1	40575	1	Toggle Switch (MOM-ON, OFF, ON)	3	40576	1	Toggle Switch (MOM-ON, OFF, MOM-ON)
2	48259	2	Switch Boot				
Vehicle-Side Electrical Components							
§	72527	1	Vehicle Battery Cable	ns	48325	2	Plug Cover
§	28587	1	Vehicle Control Harness				
ns = not shown							

§ For diagram see Vehicle-Side Harness Diagram.



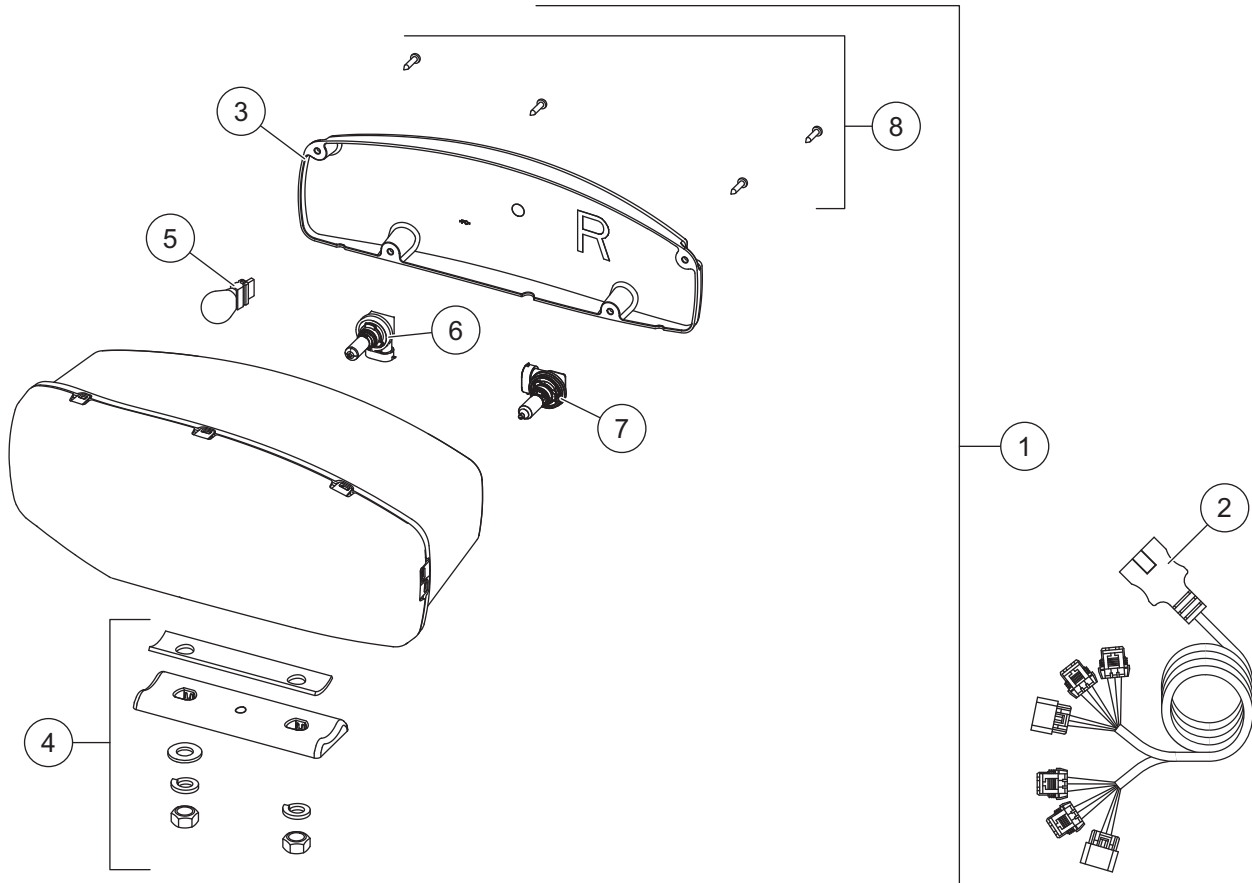
# VEHICLE-SIDE HARNESS DIAGRAM

## Vehicle-Side Harness Diagram



# HEADLAMPS

## Headlamp Components – Halogen

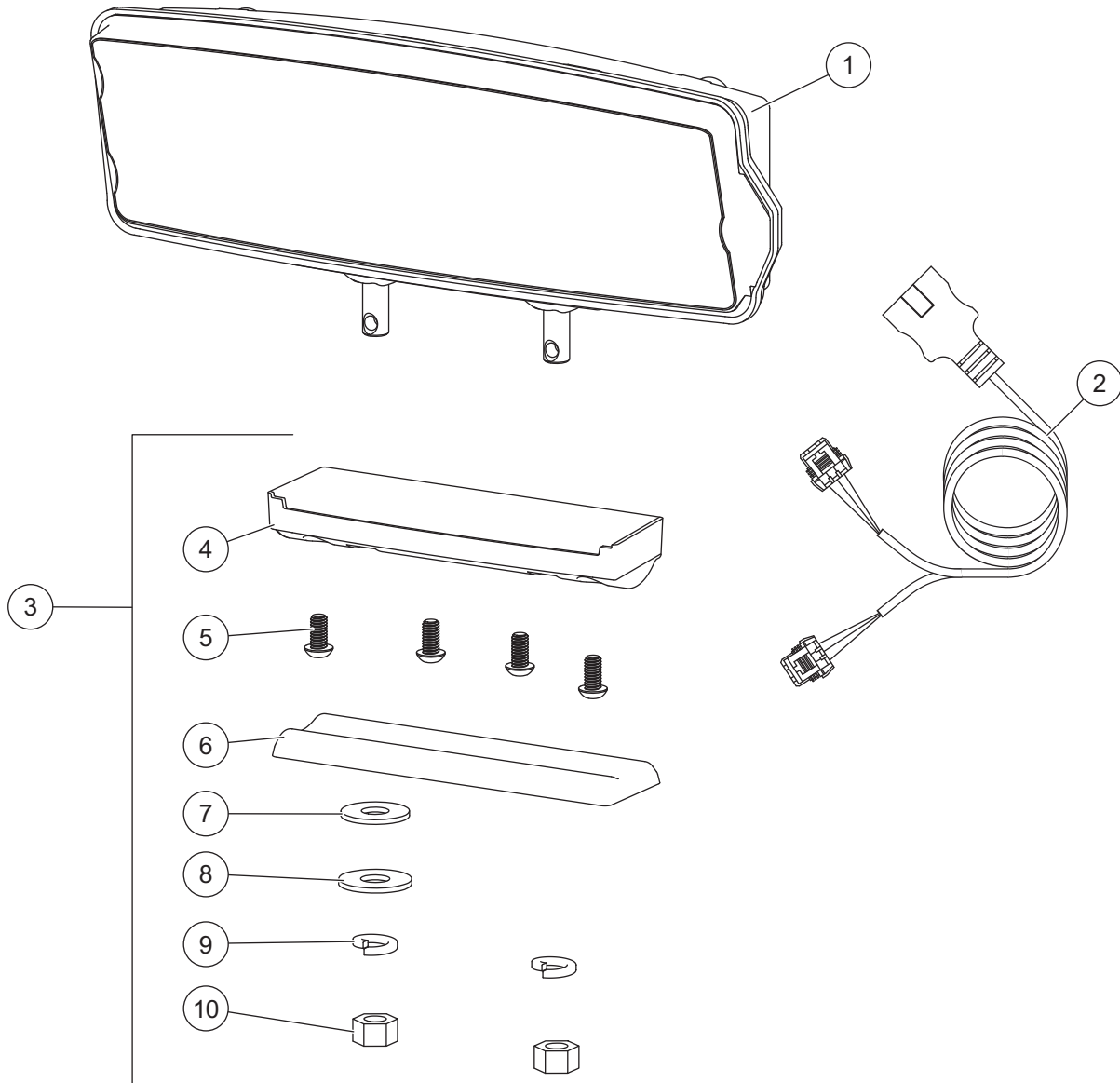


<b>38800 Headlamp Kit H9/H11 (pair)</b>							
Item	Part	Qty	Description	Item	Part	Qty	Description
1	38802	1	Headlamp Service Kit H9/H11 – PS	2	38807	1	Harness Service Kit H9/H11
ns	38801	1	Headlamp Service Kit H9/H11 – DS				
<b>Item 1</b>	<b>38801/38802 Headlamp Service Kit H9/H11 – PS/DS</b>						
3	38803	1	Rear Cover Kit H9/H11 – PS	6	38811	1	Headlamp Bulb Service Kit H11
ns	38812	1	Rear Cover Kit H9/H11 – DS	7	38809	1	Headlamp Bulb Service Kit H9
4	38804	1	Mounting Hardware Kit H9/H11	8	38808	1	Cover Screws Service Kit H9/H11 (pkg of 4)
5		1	Park/Turn Bulb (trade no. 4157NAK)				

ns = not shown

# HEADLAMPS

## Headlamp Kit – LED



Headlamp Kit LED							
Item	Part	Qty	Description	Item	Part	Qty	Description
1	39901	1	Headlamp Service Kit LED – DS	3	39903	1	Mounting Hardware Kit LED
ns	39902	1	Headlamp Service Kit LED – PS	ns	72512	1	LED Harness Connector Cover (pkg of 2)
2	72548	1	Harness Service Kit LED	<b>Item 3 39903 Mounting Hardware Kit LED</b>			
4		1	Plastic Casing	8		1	1/2 Flat Washer
5		4	1/4 Button Cap Screw	9		2	1/2 Lock Washer
6		1	Headlamp Swivel	10		2	1/2 Hex Nut
7		1	1/2 Rubber Washer	ns		1	Metal Insert

ns = not shown



TrynEx International, LLC  
531 Ajax Drive  
Madison Heights, MI 48071-2429  
[www.snowexproducts.com](http://www.snowexproducts.com)

 A DIVISION OF DOUGLAS DYNAMICS, LLC

Copyright © 2021 Douglas Dynamics, LLC. All rights reserved. This material may not be reproduced or copied, in whole or in part, in any printed, mechanical, electronic, film, or other distribution and storage media, without the written consent of TrynEx International, LLC. Authorization to photocopy items for internal or personal use by TrynEx International outlets or snowplow owner is granted.

TrynEx International reserves the right under its product improvement policy to change construction or design details and furnish equipment when so altered without reference to illustrations or specifications used. TrynEx International or the vehicle manufacturer may require or recommend optional equipment for snow removal. Do not exceed vehicle ratings with a snowplow. TrynEx International offers a limited warranty for all snowplows and accessories. See separately printed page for this important information. The following are registered (®) or unregistered (™) trademarks of Douglas Dynamics, LLC: Automatix®, Scrape Maxx™, SECURITY GUARD™, SnowEx®, SPEEDWING™.

**Printed in U.S.A.**