



Fisher Engineering

50 Gordon Drive, Rockland, Maine 04841-2139 • www.fisherplows.com

**78001, 78004
78007**

April 1, 2023
Lit. No. 94191, Rev. 15

Hopper Spreader Components

POLY-CASTER™ Hopper Spreader

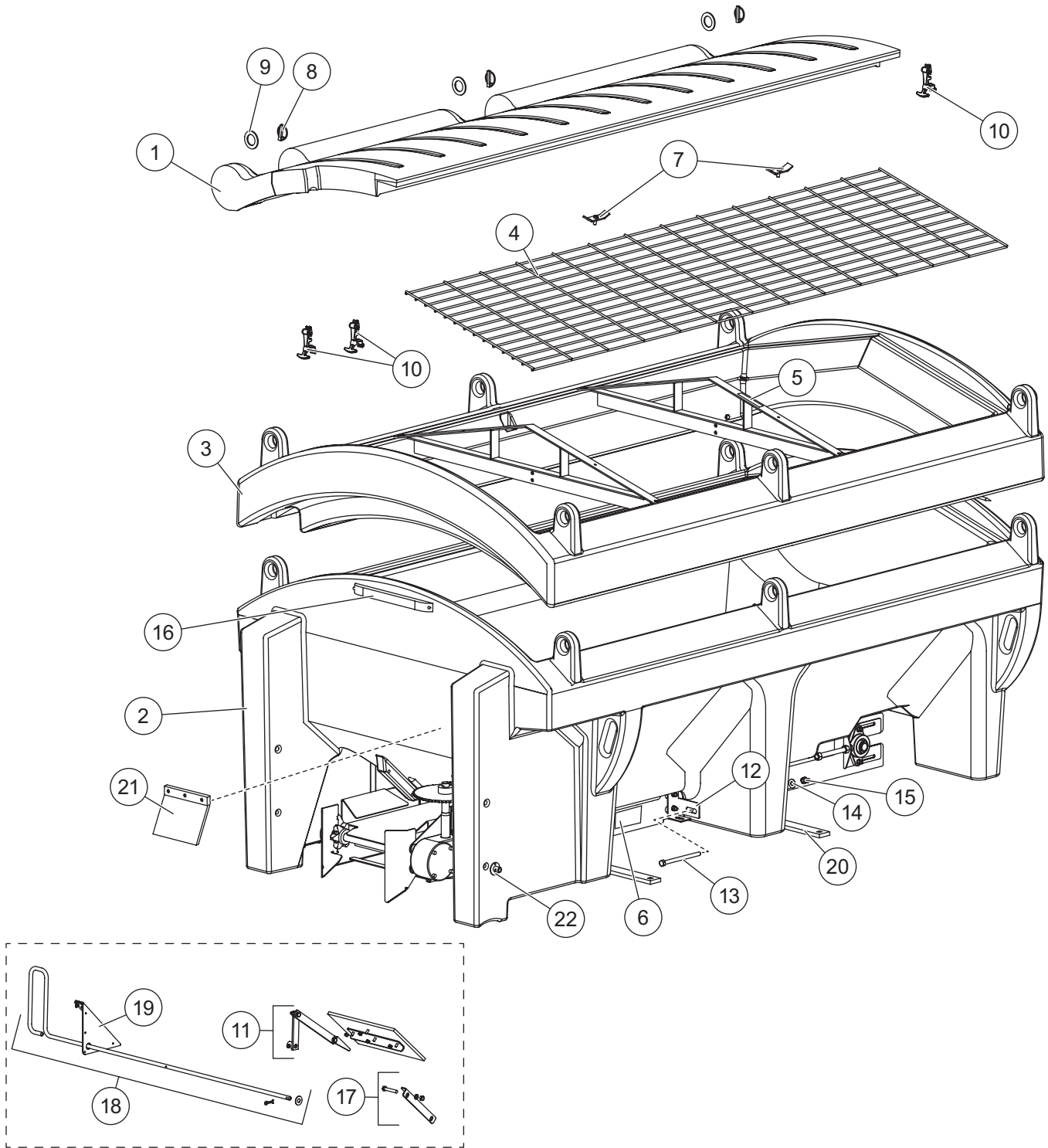
Parts List

This Parts List is for FISHER® POLY-CASTER hopper spreaders
with serial numbers beginning with 090528–120213.

A DIVISION OF FISHER, LLC

POLY-CASTER™ HOPPER SPREADER

HOPPER COMPONENTS

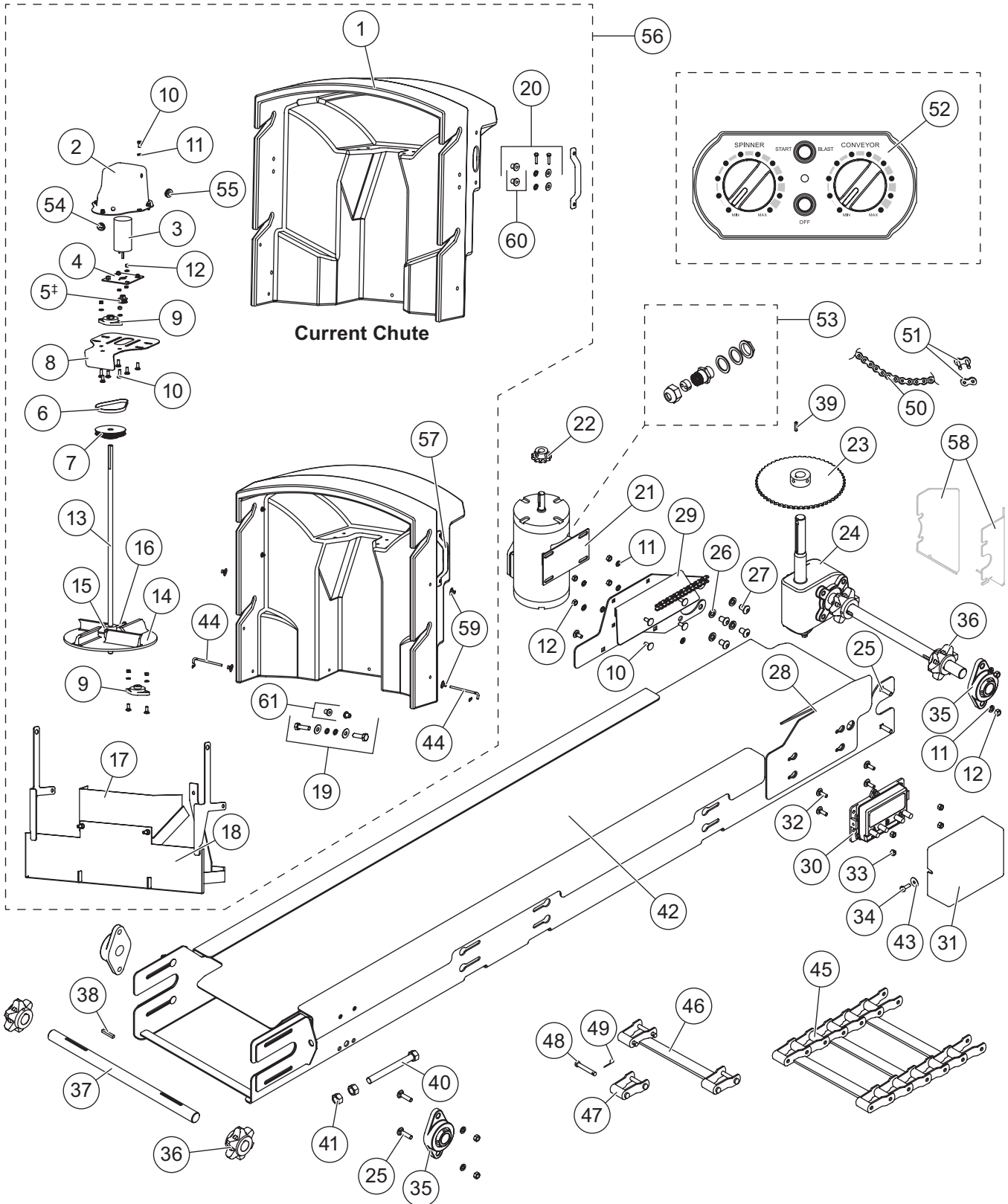


POLY-CASTER™ HOPPER SPREADER

Hopper Components							
Item	Part	Qty	Description	Item	Part	Qty	Description
1	78018	1	Poly Hopper Lid, 7' (DS)	12	78119	3	Hopper Mounting Bracket (PS)
	78019	1	Poly Hopper Lid, 8' (DS)	ns	78133	3	Hopper Mounting Bracket (DS)
ns	78020	1	Poly Hopper Lid, 7' (PS)	13	78203	4	1/2-13 x 7-1/2 Hex Cap Screw SS
	78021	1	Poly Hopper Lid, 8' (PS)	14	68109	4	1/2 Flat Washer SS
2	78010	1	Poly Hopper Body, 7'	15	95834	4	1/2-13 Hex Locknut SS
	78013	1	Poly Hopper Body, 8'	ns	90375	8	3/8-16 x 1 Carriage Bolt SS
3	78227	1	Poly Hopper, 8' Collar	ns	91282	8	3/8 Lock Washer SS
4	78115	2	Top Screen, 7' (painted)	ns	91431	8	3/8-16 Hex Nut SS
	78116	2	Top Screen, 8' (painted)	16	78048-1	1	CHMSL Kit (w/fasteners)
5	78279	2	Top Screen Brace w/Label (67272) Poly Hopper	17	78083	2	Feed Gate Guide with Fasteners Kit (incl. 94495 [2], 78047 [1], 91350 [2])
6	31594EN	2	Label – Warning/Caution, Spreaders	18	78094	1	Feed Gate Handle Kit (incl. 78029, 90601 [2], and item 14)
7	96038	4	Wing Bolt	19	78098	1	Feed Gate Detent Bracket (incl. 78028 w/fasteners)
8	93010	6	7/16 Linchpin	ns	66438	4	3/8-16 x 1-1/2 Hex Cap Screw
9	78097	6	2.5 OD x 1.53 ID Washer SS	20	78109	2	Mounting Bar (incl. 78056, 90380 [2], and items 14 [2], 15 [2])
10	65224	3	Strap, Rubber Hold-Down Assembly	ns	78242	1	Poly Hopper Collar Hardware Kit
ns	61246	1	Cable Boot	21	78177	1	Sprocket Shield Kit
ns	8289	1	Boot Bracket	22	78262	2	Chute Attachment Sleeve Kit
ns	96375	1	3/8 x 1 Sheet Metal Screw				
11	78118	1	Feed Gate Assembly Kit, Poly Hopper (incl. 78093, 90601)				
ns = not shown				SS = Stainless Steel			

POLY-CASTER™ HOPPER SPREADER

DRIVE COMPONENTS



POLY-CASTER™ HOPPER SPREADER

Drive Components							
Item	Part	Qty	Description	Item	Part	Qty	Description
1	78123	1	Chute Cover	39	65174	1	1/4 x 1-1/2 Machine Key
2	78099	1	Chute Motor Cover	40	65609	2	5/8-11 x 6 Take-Up Bolt SS
3	78300	1	Motor 12V DC 1/3 hp (incl. 76795)	41	91435	4	5/8-11 Hex Nut
4	78125	1	Chute Motor Mounting Plate Kit (incl. 68511 [2], 78068, and items 10 [4], 11 [4], 12 [4])	42	78192	1	Sill, 7'
5 [‡]	78106	1	10-Tooth Cogged Belt Pulley		78193	1	Sill, 8'
6	M1355	1	Gear Belt	43	67155	2	5/16 Flat Washer SS
7	76796	1	40-Tooth Cogged Belt Pulley 3/4 Bore	44	78031	1	Chute Attachment Pin Bag (pkg of 2)
8	78126	1	Chute Motor Base Plate Kit (incl. items 11 [4], 19 [4], 78065)	45	78076	1	Pintle Chain (99 links)
9	96167	2	Pillow Block Bearing 3/4 Bore	94898		1	Pintle Chain (108 links)
10	90375	28	3/8-16 x 1 Carriage Bolt SS	46	68492	AR	Conveyor Repair Bar w/Pins and Cotters
11	91282	39	3/8 Lock Washer SS	47	68475	AR	Conveyor Repair Link w/Pins and Cotters
12	91431	34	3/8-16 Hex Nut SS	48	41743	AR	Conveyor Chain Pin w/Cotter
13	78307	1	Spinner Shaft	49	91897	AR	3/32 x 1/2 Cotter Pin
14	94424	1	Spinner, Poly	50	78075	1	#40 Chain with Master Link
15	91430	1	5/16-18 Hex Nut SS	51	95894	AR	#40 Chain Master Link
16	94495	1	5/16-18 x 2-1/4 Hex Cap Screw SS	52	78102	1	Cab Control
17 [†]	78294	1	Deflector	53	78201	1	Seal Kit
18 [†]	78130-1	1	Spinner Guard	54	78107	1	Cap Plug for Motor Cover
19	78268	1	3/8 Well Nut Fastener Kit	55	66130	1	Grommet
20	78270	1	1/4 Well Nut Fastener Kit	56	78229-1	1	Full Chute Assembly
21	95755-2	1	Motor 12V DC 1/2 hp	57	78247	2	Chute Handle Kit
22	95777	1	Sprocket, #40 x 11T x 5/8	58 [*]		1	Sill Deflectors (PS and DS)
23	78057	1	Sprocket, #40 x 55T x 1	59	78262	4	Chute Attachment Sleeve Kit
24	95567	1	Gear Case 20:1	60	78269	1	1/4 Well Nut (pkg of 2)
25	68345	10	3/8-16 x 1-1/2 Carriage Bolt SS	61	78267	1	3/8 Well Nut (pkg of 2)
26	91284	4	1/2 Spring Lock Washer SS	ns	78199	1	CHMSL Harness Kit
27	68360	4	1/2-13 x 3/4 Button Cap Screw	ns	29217	1	Vehicle Power Cable
28	78131	1	Chain Guard (DS rear)	ns	48808	1	Spreader Power Cable
29	78132	1	Chain Guard (PS rear)	ns	29221	1	Vehicle-Side Control Harness
30	78178-1	1	Control Module – Dual Motor	ns	78103	1	Wiring – Module to Motor
31	78108	1	Module Cover	ns	78104	1	Wiring – Module to Spinner Connector
32	90556	4	5/16-18 x 1 Carriage Bolt	ns	78105	1	Wiring – Spinner Connector to Spinner Motor
33	91350	4	5/16-18 Hex Locknut GB SS	ns	95836	1	Fuse, 100A
34	90381	2	1/4-20 x 3/4 Hex Cap Screw SS	ns	95837	1	Fuse Holder
35	94536	3	1-1/8 Bearing, 2-Bolt Flange	ns	22511K	1	22" Battery Cable
36	65909	4	Drive Sprocket, 6T	ns	78246	1	Control Bracket Kit
37	94351	1	Idler Shaft	ns	61548K	1	Plug Cover Kit
38	95076	4	1/4 x 2-3/4 Machine Key	ns	78266	1	Chain Wiper Kit

ns = not shown

AR = As Required

SS = Stainless Steel

G = Grade

[†] = Initial installation requires 48970-1 (Chute Strut Kit)

[‡] = For use on motors with 5/16" shaft only.

* = Replaced by 78294 (Deflector) and 78130-1 (Spinner Guard)

See page 6 for Accessories parts list.

POLY-CASTER™ HOPPER SPREADER

Accessories							
Item	Part	Qty	Description	Item	Part	Qty	Description
ns	78197	1	License Plate Light Kit	ns	78204	1	Vehicle-Side Harness Kit
ns	78198	1	Work Light Kit	ns	78195	1	Vibrator Kit
ns	78120	1	Inverted V Kit, 8' Models	ns	78150	1	Inverted V Kit, 7' Models
ns = not shown							

Copyright © 2023 Douglas Dynamics, LLC. All rights reserved. This material may not be reproduced or copied, in whole or in part, in any printed, mechanical, electronic, film, or other distribution and storage media, without the written consent of Fisher Engineering. Authorization to photocopy items for internal or personal use by Fisher Engineering outlets or spreader owner is granted.

Fisher Engineering reserves the right under its product improvement policy to change construction or design details and furnish equipment when so altered without reference to illustrations or specifications used. Fisher Engineering or the vehicle manufacturer may require or recommend optional equipment for spreaders. Do not exceed vehicle ratings with a spreader. Fisher Engineering offers a limited warranty for all spreaders and accessories. See separately printed page for this important information. The following are registered (®) or unregistered (™) trademarks of Douglas Dynamics, LLC: FISHER®, POLY-CASTER™.

Printed in U.S.A.