

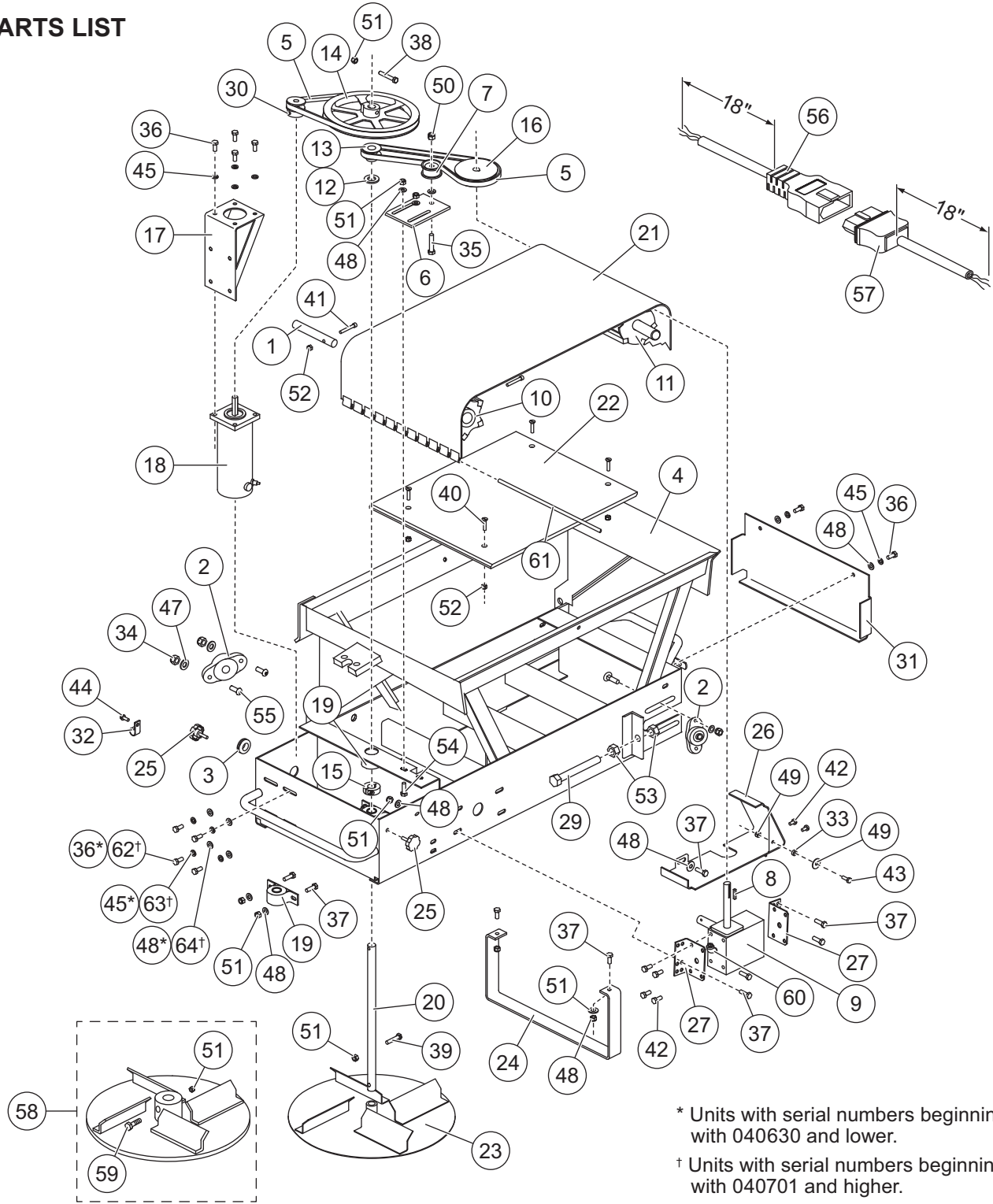


Western Products  
 PO Box 245038  
 Milwaukee, WI 53224-9538  
 www.westernplows.com

A DIVISION OF DOUGLAS DYNAMICS, LLC

**PRO-FLO™ 2 Tailgate  
 Spreaders**  
**DRIVE COMPONENTS**  
**Parts List**

**PARTS LIST**



\* Units with serial numbers beginning with 040630 and lower.  
 † Units with serial numbers beginning with 040701 and higher.

This Parts List is for WESTERN® PRO-FLO 2 Tailgate Spreaders with serial numbers beginning with 202650 and higher.

# PRO-FLO™ 2 TAILGATE SPREADER DRIVE COMPONENTS

PRO-FLO 2 Tailgate Spreader Drive Components							
Item	Part	Qty	Description	Item	Part	Qty	Description
1	65753	1	Stub Shaft – Conveyor Roller	36	93162	10	5/16-18 x 3/4 Hex Cap Screw SS
2	68619	3	Flange Bearing, 3/4 Bore	37	90551	12	5/16-18 x 1 Hex Cap Screw SS
3	67113	1	3/4 Rubber Grommet	38	90978	1	5/16-18 x 2 Hex Cap Screw SS
4	94412	1	Conveyor Frame with Labels	39	90977	1	5/16-18 x 1-1/2 Hex Cap Screw SS
5	65767	2	V-Belt, 4L330 Molded Cog	40	67074	4	1/4-20 x 1 Machine Screw
6	68838	1	Belt Tensioner Bracket	41	67075	2	1/4-20 x 1-3/4 Socket Cap Screw
7	65509	1	2" Idler Pulley	42	99249	8	M8 x 1.25 x 16 Hex Cap Screw SS
8	65195	1	3/16 Machine Key	43	68067	1	1/4-20 x 1 Hex Cap Screw SS
9	68803	1	Gear Box with Key	44	93148	3	1/4-14 x 3/4 Tapping Screw
10	68605	1	Conveyor Roller – Drive	45	91263	10	5/16 External Lock Washer SS
12	68606	1	Conveyor Roller – Idler	46	90315	2	3/8 Flat Washer
12	67114	1	.75 Thrust Washer	47	91282	6	3/8 Spring Lock Washer SS
13	65766	1	Pulley, 2 x 3/4 Bore	48	90980	19	5/16 Flat Washer SS
14	65406	1	Pulley, 9 x 3/4 Bore	49	67155	1	Round Flat Washer Special SS
15	65777	1	Locking Collar, .75 Bore	50	91351	1	3/8-16 Hex Locknut GB SS
16	65765	1	Pulley, 4-1/2 x 5/8 Bore	51	91350	15	5/16-18 Hex Locknut GB SS
17	65731	1	Motor Mount	52	67076	9	1/4-20 Hex Locknut GB SS
18	65416	1	Motor, 12 V DC	53	67295	4	1/2-13 Hex Nut
19	65776	2	Pillow Block Bearing, .75 Bore	54	90556	2	5/16-18 x 1 Carriage Bolt
20	65723	1	Spinner Shaft	55	68621	6	3/8-16 x 1-1/4 Carriage Bolt
21	65764	1	Conveyor Belt with Pin	56	63693	1	Spreader Harness End Kit, 3- or 4-Pin
22	65763	1	Floor	57	63692	1	Vehicle Harness End Kit, 3- or 4-Pin
23	67090	1	Spinner – Steel	58	94511	1	Poly Spinner Kit
24	67097	1	Stand	59	94495	1	5/16-18 x 2-1/4 Hex Cap Screw SS
25	67158	2	1/4-20 x 1 Thumb Screw SS	60	95557	1	Gear Box Breather
26	68635	1	Gear Box Cover	61	95624	1	Lacing Pin
27	95692	2	Gear Box Mounting Bracket	62	90381	4	1/4-20 x 3/4 Hex Cap Screw SS
29	68620	2	1/2-13 x 4 Take-Up Bolt SS	63	67083	4	1/4 External Lock Washer SS
30	69696	1	Pulley, 1-3/4 x 1/2 Bore	64	95698	4	1/4 Flat Washer, Thick SS
31	68640	1	Conveyor Guard	ns	63634	1	Spreader Harness 4-Pin
32	65546	3	Cable Clamp	ns	63633	1	Vehicle Harness 4-Pin
33	67159	1	3/16 Spacer	ns	65241	1	Motor Brush Kit
34	91431	6	3/8-16 Hex Nut	ns	65514	1	Parts Bag
35	67111	1	3/8-16 x 1-3/4 Hex Cap Screw SS				
<b>65514 Parts Bag</b>							
ns	61536	12	Cable Tie – Long	ns	61548K	1	Plug Cover (vehicle harness)
ns	56099	1	Dielectric Grease Tube				
ns = not shown		G = Grade		M = Metric		SS = Stainless Steel	

Copyright © 2019 Douglas Dynamics, LLC. All rights reserved. This material may not be reproduced or copied, in whole or in part, in any printed, mechanical, electronic, film, or other distribution and storage media, without the written consent of Western Products. Authorization to photocopy items for internal or personal use by Western Products outlets or spreader owner is granted.

Western Products reserves the right under its product improvement policy to change construction or design details and furnish equipment when so altered without reference to illustrations or specifications used. Western Products or the vehicle manufacturer may require or recommend optional equipment for spreaders. Do not exceed vehicle ratings with a spreader. Western Products offers a limited warranty for all spreaders and accessories. See separately printed page for this important information. The following are registered (®) or unregistered (™) trademarks of Douglas Dynamics, LLC: PRO-FLO™ 2, WESTERN®.

Printed in U.S.A.