



DEFENDER™

DEFENDER™ Compact Plow

Blade Assembly 85270/85275

Big Box Assembly 85260/85260-1/85260-3

Parts List

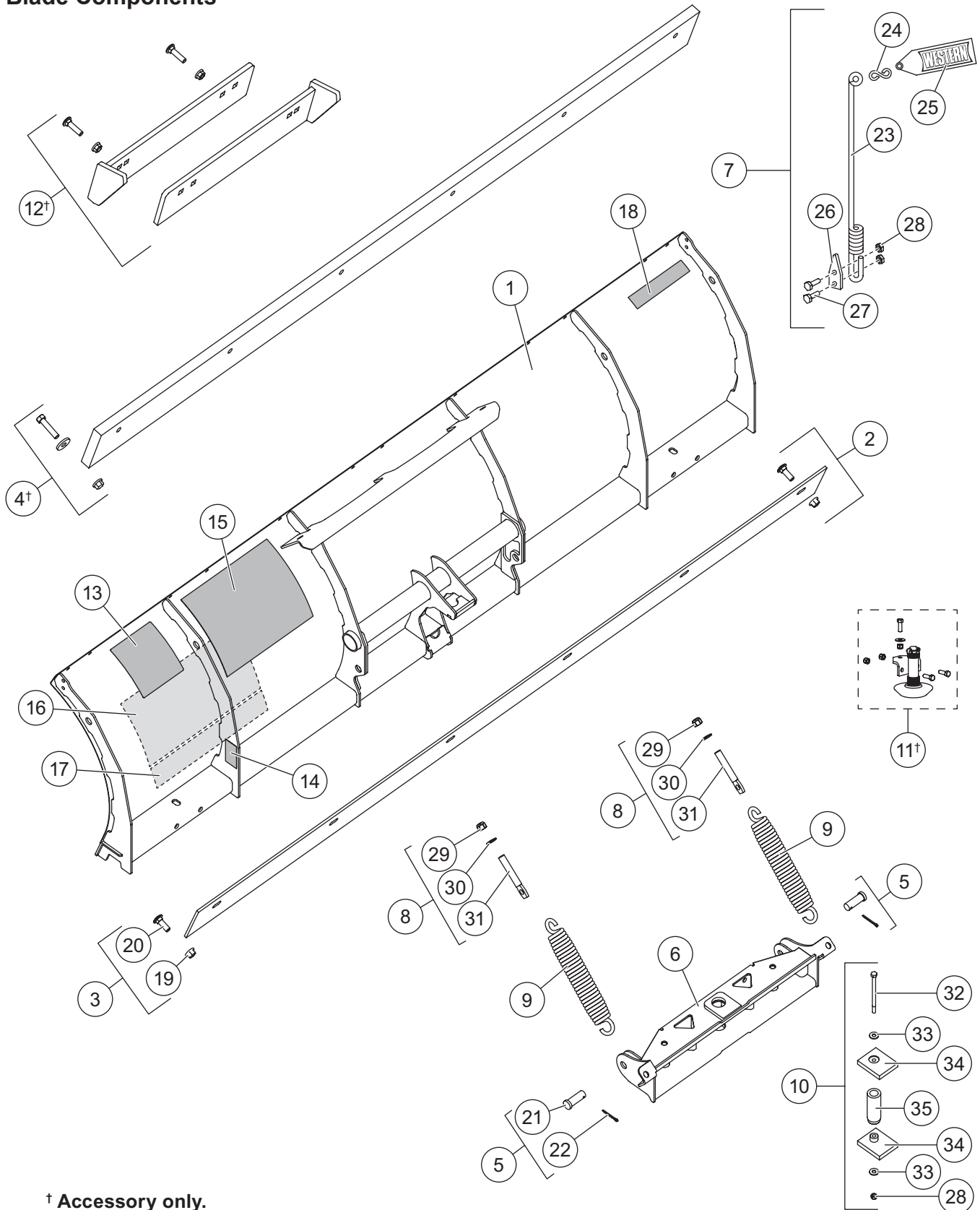


TABLE OF CONTENTS

COMPACT PLOW ASSEMBLY	4
HEADGEAR AND A-FRAME ASSEMBLY	6
HYDRAULIC COMPONENTS	8
Hydraulic Unit.....	8
Lift and Angle Rams	10
Hoses and Fittings	10
VEHICLE-SIDE HARNESS DIAGRAM	11
HEADLAMP KITS	12–13

DEFENDER™ COMPACT PLOW ASSEMBLY

Blade Components



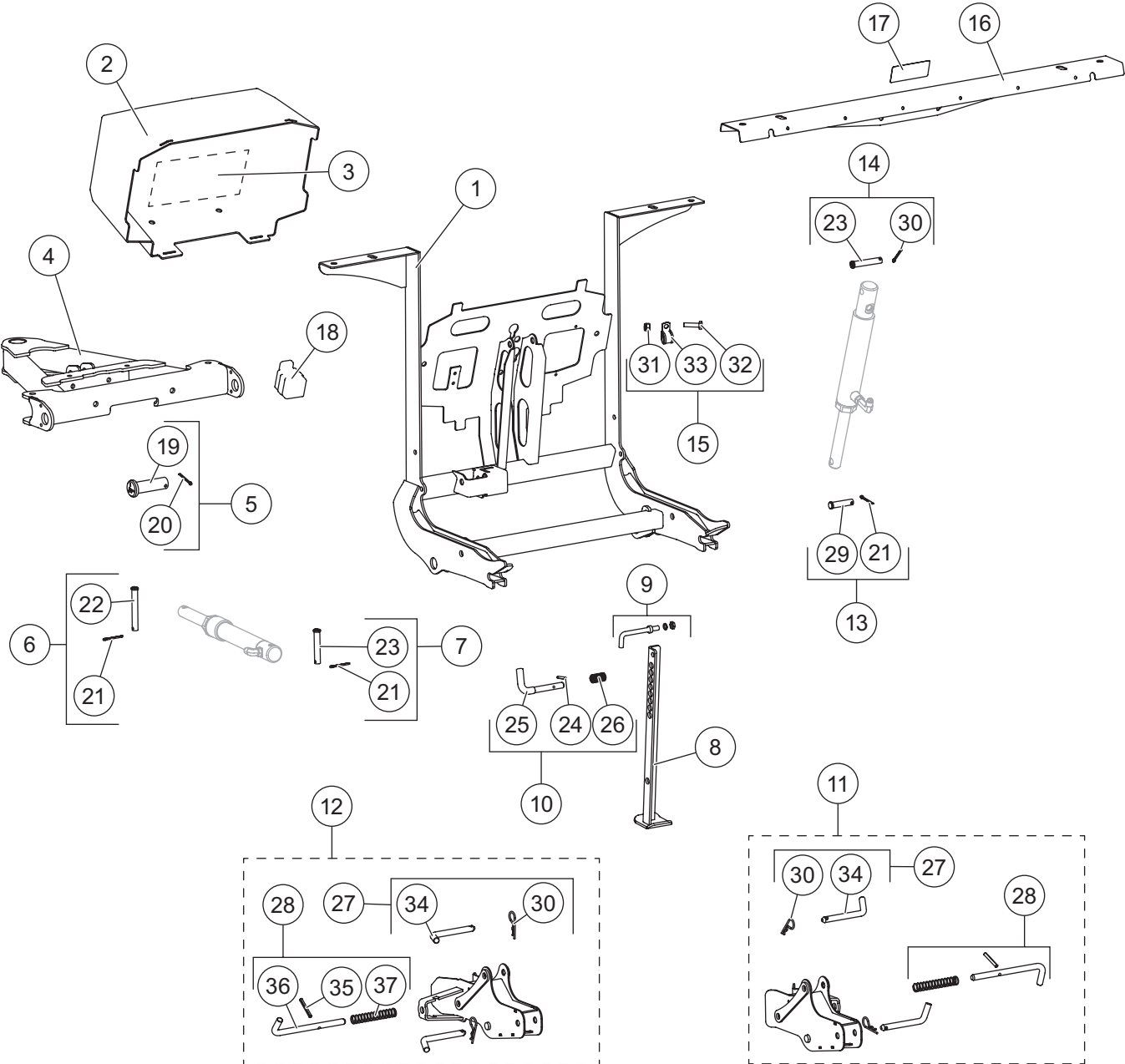
DEFENDER™ COMPACT PLOW ASSEMBLY

85270/85275 Blade Components							
Item	Part	Qty	Description	Item	Part	Qty	Description
1	85272	1	DEFENDER™ Blade w/ Labels, 6'8"	9	B61167	2	Trip Spring
	85273	1	DEFENDER Blade w/ Labels, 7'2"	10	84629	1	Center Pivot Bolt Kit
2	93668	1	1/4 Steel Cutting Edge Kit, 6'8"	11†	84506-1	1	Shoe Assembly Kit
	93669	1	1/4 Steel Cutting Edge Kit, 7'2"	12†	85332	1	Curb Guard Kit
	85287†	1	3/8 Steel Cutting Edge Kit, 6'8"	13	59900	1	Label – Warning/Caution, Snowplows
	85288†	1	3/8 Steel Cutting Edge Kit, 7'2"	14	29256	1	Label – Warning, Foot Crush
3	76512	1	Cutting Edge Bolt Bag	15	88339	1	Label – Information, Attach/Detach
4	76477†	1	Poly Cutting Edge Kit, 7'2"	16	69489	1	Label – Logo, WESTERN® Moldboard
	76476†	1	Poly Cutting Edge Kit, 6'8"	17	83838	1	Label – Logo, DEFENDER
5	84631	2	3/4 x 2 Clevis Pin Kit with Cotter	18	28404	1	Label – Logo, ULTRAFINISH™
6	84573	1	Quadrant	ns	85274	1	Blade Label Kit – DEFENDER
7	59700	1	24" Blade Guide & Flag Assembly Kit	ns	85264†	1	Rubber Deflector Kit
8	84702	2	Eyebolt Kit				
Item 2 93668/93669 1/4 Steel Cutting Edge Kit							
	1	1	1/4 Steel Cutting Edge	3	76512	1	Cutting Edge Bolt Bag
Item 3 76512 Cutting Edge Bolt Bag							
19	6	1/2-13 Hex Locknut GB		20	6	1/2-13 x 1-3/4 Carriage Bolt G8	
Item 5 84631 3/4 x 2 Clevis Pin Kit with Cotter							
21	2	3/4 x 2 Clevis Pin		22	2	5/32 x 1-1/2 Cotter Pin	
Item 7 59700 24" Blade Guide & Flag Assembly Kit							
23	59691	2	24" Blade Guide Rod	26	59946	2	Clamp
24	59696	2	S-Hook	27	68494	4	5/16-18 x 1 Hex Cap Screw G5
25	59694K	2	Blade Guide Flag	28	91332	4	5/16-18 Hex Locknut GB
Item 8 84702 Eyebolt Kit							
29	1	5/8-11 Hex Locknut GB		31	1	5/8-11 x 4 Eyebolt	
30	1	5/8 Hardened Flat Washer					
Item 10 84629 Center Pivot Bolt Kit							
28	1	5/16-18 Hex Locknut GB		34	27615	2	Bumper
32	1	5/16-18 x 5 Hex Cap Screw G5		35		1	Pivot Tube
33	2	5/16 Flat Washer Type A					
85274 Blade Label Kit – DEFENDER							
13	59900	1	Label – Warning/Caution, Snowplows	16	69489	1	Label – Logo, WESTERN Moldboard
14	29256	1	Label – Warning, Foot Crush	17	83838	1	Label – Logo, DEFENDER
15	88339	1	Label – Information, Attach/Detach	18	28404	1	Label – Logo, ULTRAFINISH
ns = not shown				G = Grade			

† Accessory only.

HEADGEAR AND A-FRAME ASSEMBLY

Headgear and A-Frame Components

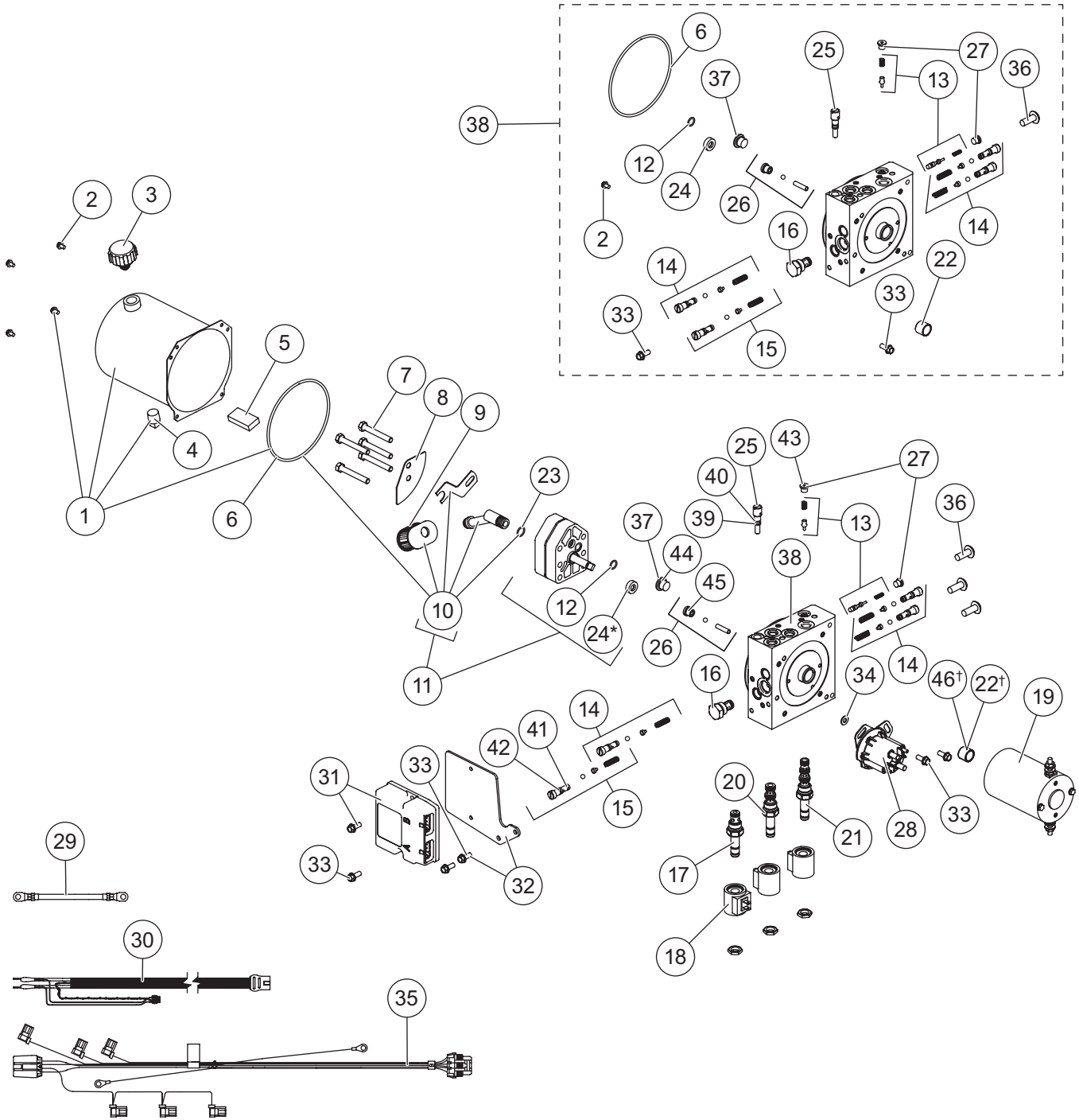


HEADGEAR AND A-FRAME ASSEMBLY

Compact Plow Headgear and A-Frame Components							
Item	Part	Qty	Description	Item	Part	Qty	Description
1	85323	1	Headgear	10	67844	1	Stand Pin Kit
2	85194	1	Hydraulic Cover (incl. item 3)	11	83792	1	Receiver Kit, PS
3	84963	1	Label – Information, Hydraulic	12	83791	1	Receiver Kit, DS
4	85324	1	A-Frame	13	84627	1	Lift Ram Rod Pin Kit
5	85329	1	A-Frame Pin Kit	14	85199	1	Lift Ram Base Pin Kit
6	83629	2	Angle Ram Rod Pin Kit	15	84778	1	Power Cable Clamp Loop Kit
7	85198	2	Angle Ram Base Pin Kit	16	85327	1	Light Bar (incl. item 17)
8	85328	1	Stand	17	44454	1	Label – Logo, WESTERN®
9	85330	1	Stand Handle	18	61246	1	Cable Boot
Item 5				85329 A-Frame Pin Kit			
19		1	1 x 3-5/16 Clevis Pin	20		1	1/4 x 1-1/2 Cotter Pin
Item 6				83629 Angle Ram Rod Pin Kit			
21		1	5/32 x 1-1/2 Cotter Pin	22		1	1/2 x 3-11/16 Clevis Pin HT
Item 7				85198 Angle Ram Base Pin Kit			
21		1	5/32 x 1-1/2 Cotter Pin	23		1	1/2 x 2-7/8 Clevis Pin HT
Item 10				67844 Stand Pin Kit			
24		1	3/16 x 1-1/4 Roll Pin BP	26		1	Spring Lock Pin Stand
25	67643-1	1	Pin Lock Stand				
Item 11				83792 Receiver Kit, PS			
		1	Receiver, PS	28	83886	1	Hitch Pin Kit
27	84610	2	Receiver Pin Kit				
Item 12				83791 Receiver Kit, DS			
		1	Receiver, DS	28	83886	1	Hitch Pin Kit
27	84610	2	Receiver Pin Kit				
Item 13				84627 Lift Ram Rod Pin Kit			
21		1	5/32 x 1-1/2 Cotter Pin	29		1	1/2 x 2-1/8 Clevis Pin HT
Item 14				85199 Lift Ram Base Pin Kit			
23		1	1/2 x 2-7/8 Clevis Pin HT	30		1	1/8 Hairpin Cotter
Item 15				84778 Power Cable Clamp Loop Kit			
31		1	1/4-20 Hex Locknut GB	33		1	#10 Clamp Loop
32		1	1/4-20 x 1 Hex Cap Screw G5				
Item 27				84610 Receiver Pin Kit			
30	91962	1	1/8 Hairpin Cotter	34	27599	1	1/2 x 4 Clevis Pin
Item 28				83886 Hitch Pin Kit			
35		1	1/4 x 2 Roll Pin BP	37	85253	1	0.72 OD x 4-1/4 Spring
36		1	Hitch Pin HT				
G = Grade				HT = Heat Treated			

HYDRAULIC COMPONENTS

Hydraulic Unit Components



Not drawn to scale.

HYDRAULIC COMPONENTS

84949 Hydraulic Unit							
Item	Part	Qty	Description	Item	Part	Qty	Description
1	48538	1	Reservoir Kit	25	48517	1	Quill
2	66607	4	#10-24 x 5/16 Slotted Hex Washer-Head Machine Screw	26	48518	1	Check Valve Assembly
3	21727-2K	1	Breather 3/8 NPT Kit	27	92960	2	3/8-24 O-Ring Boss Plug
4	92079	1	Plug 3/8 NPTF	28	52290	1	Motor Relay
5	73897	1	Magnet	29	29071	1	Cable Assembly, 8"
6	66519	1	O-Ring 2-250	30	42015	1	Cable Assembly, Plow
7	90073	5	5/16-18 x 2-1/4 Hex Cap Screw G5	31	49567	1	Plow Module
8	48464	1	Plate Baffle	32	84957	1	Module Plate w/Screws
9	56789-5	1	Suction Filter	33	44355	6	1/4-20 x 5/8 Hex Washer-Head Thread-Rolling Screw
10	66763-1	1	Inlet Fitting/Filter Kit	34	91119	1	3/16 Flat Washer Type A Special
11	27746	1	Hydraulic Pump Kit – IA	35	28581-1	1	Harness Plow Control 3-Solenoid
12	56274	1	O-Ring -013	36	98043	3	3/8-16 x 1 Button Head Cap Screw
13	49226K	1	Poppet Check Valve Kit	37	56532	1	Plug, -6 SAE O-Ring Boss
14	49138K-5	2	Relief Valve Kit (2 sets)	38	84950	1	Manifold Assy w/o Valves (incl. items 2, 6, 12–16, 22, 24–27, 33, 35, 36)
15	27792-1	1	Relief Valve Repair Kit	39	48239	1	O-Ring -106
16	44334-1	1	Check Valve CV08-20	40	48240	1	Back-up Ring -106
17	49227K-2	1	Valve 2-Way w/Nut	41	55371	4	O-Ring -008
18	49230K-2	3	Coil w/Spade Terminals	42	25731	4	O-Ring -010
19	48543-1	1	Motor Assembly, 3"	43	26784	2	O-Ring -903
20	66608-1	1	Cartridge Valve 3-Way w/Nut	44	56569	1	O-Ring -906
21	49229K-1	1	Cartridge Valve 4-Way w/Nut	45	44343	1	O-Ring -904
22†	56364*	1	Bearing, Sleeve	46†	64596-1	1	Sleeve Bearing and Shaft Seal Kit
23	56416	1	O-Ring -014				
24	66515**	1	Pump Shaft Seal				
O-Ring Service Kits							
ns	56657-6	–	O-Ring & Back-Up Ring Kit	ns	49259-2	–	Seal Kit Cartridge 3-Way and 4-Way Valve
ns	49258-2	–	Seal Kit 2-Way Valve				
ns = not shown				G = Grade			

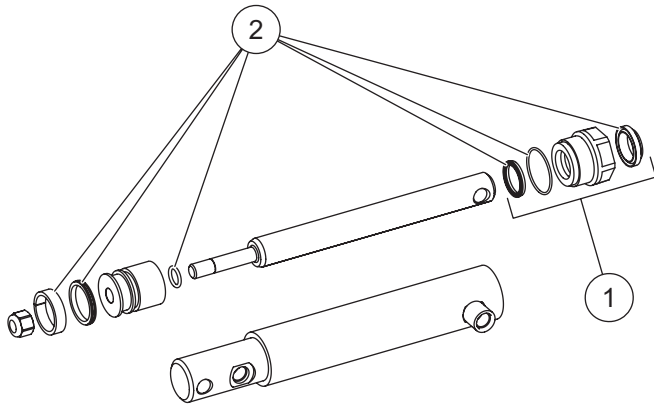
* Use 64589 tool to install (includes 56364).

** Use 28856 tool to install (includes 66515).

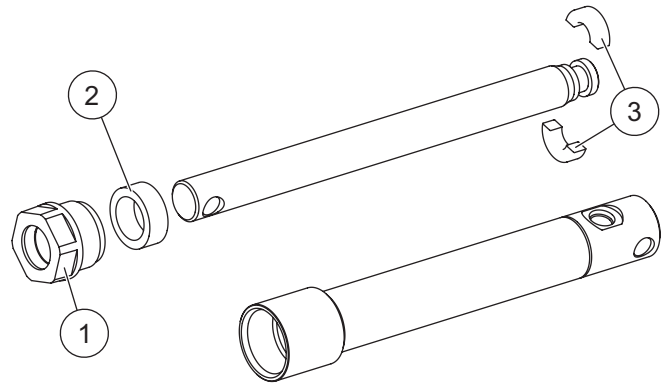
† Use 64589 tool for bearing sleeve replacement (includes 1 bearing).

HYDRAULIC COMPONENTS

Lift and Angle Ram Components

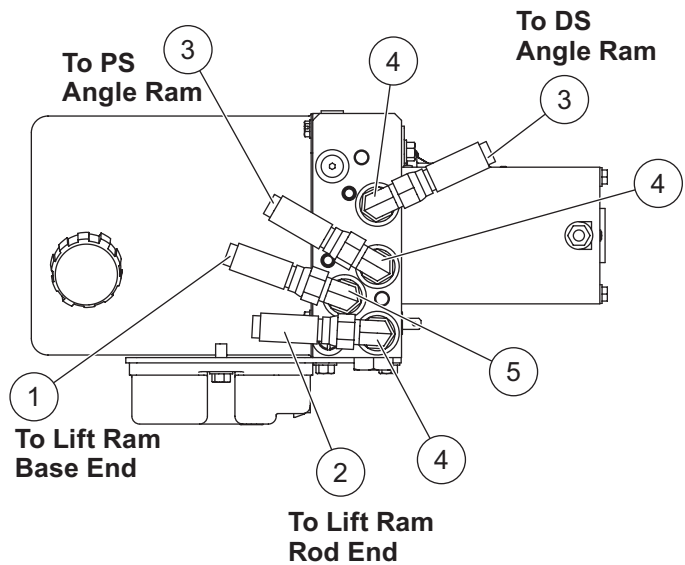
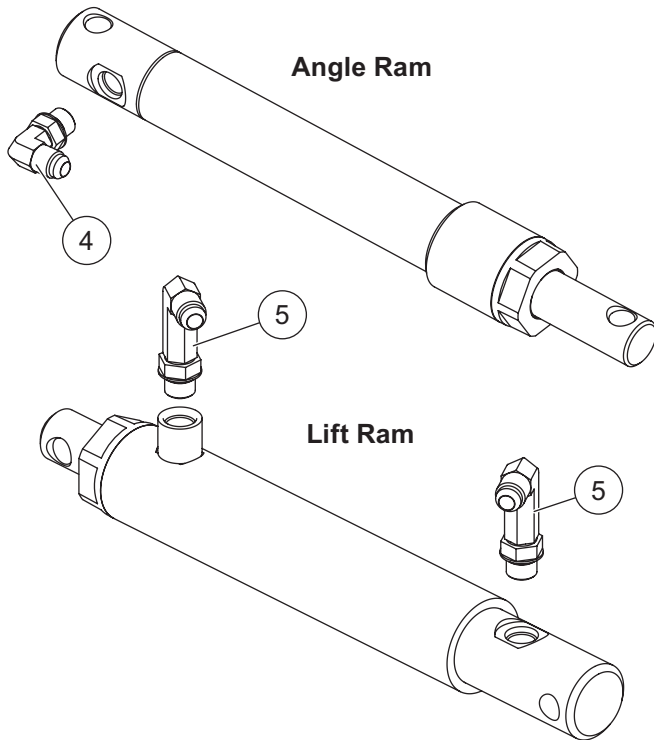


77484 Lift Ram Assembly 1-1/2 x 6 DA			
Item	Part	Qty	Description
1	52277	1	1" Gland Nut Assembly
2	27788-1	1	Seal Kit 1-1/2" DA Ram



77478 Angle Ram Assembly 1 x 7			
Item	Part	Qty	Description
1	52277	1	1" Gland Nut Assembly
2	56803	1	Spacer
3	52276	1	1" Split Bearing Kit

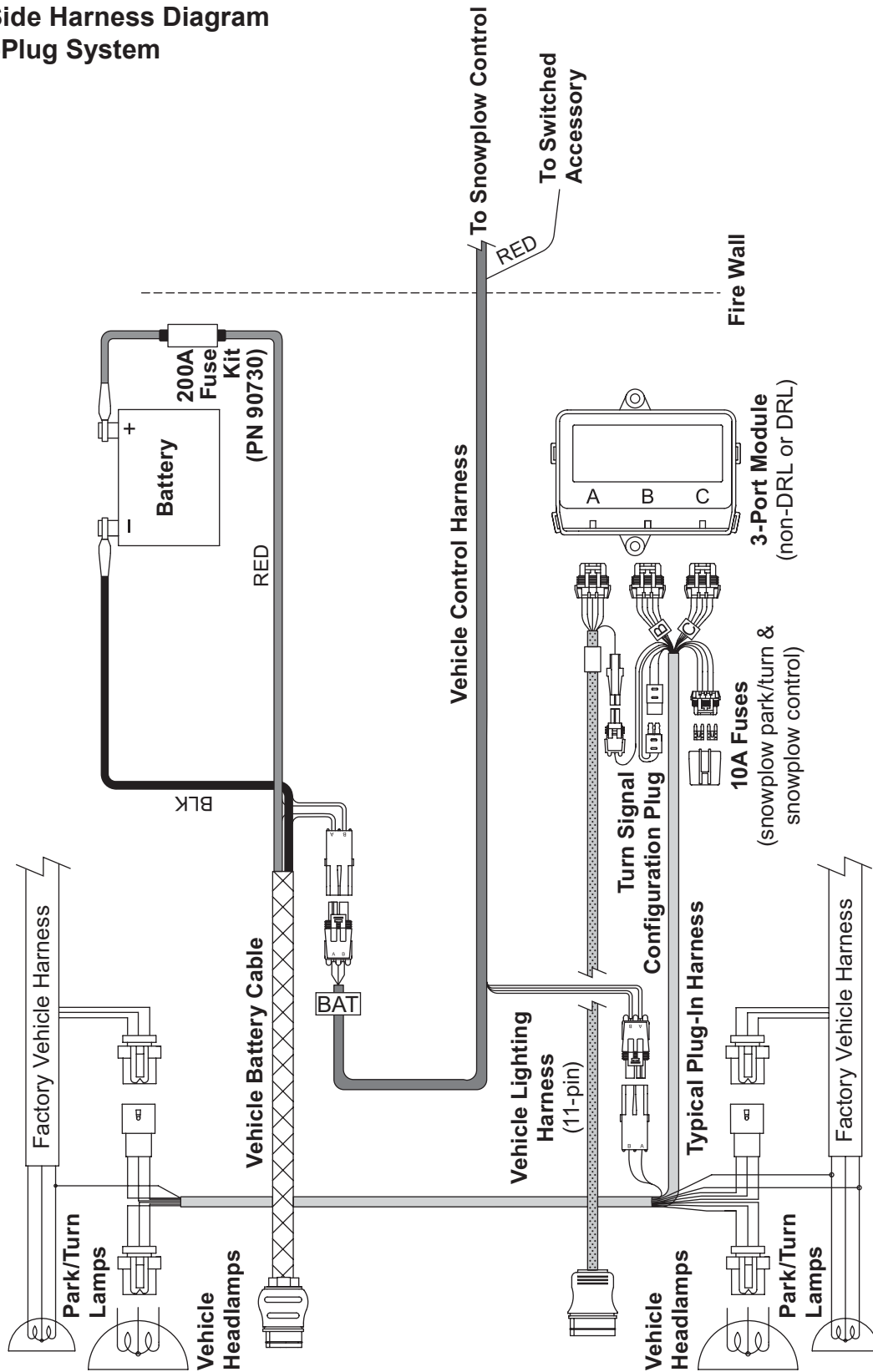
Hoses and Fittings



Hoses and Fittings							
Item	Part	Qty	Description	Item	Part	Qty	Description
1	84446	1	Hose, 1/4 x 14 w/F JIC Ends	5	64212-1	3	Elbow, Extra Long 90° -6 M JIC/-6 M ORB
2	56830	1	Hose, 1/4 x 22 w/F JIC Ends	ns	56823	1	Hose Wrap
3	48519	2	Hose, 1/4 x 32 w/F JIC Ends				
4	56615-1	5	Elbow, 90° -6 M JIC/-6 M ORB				
			F = Female			ns = not shown	M = Male

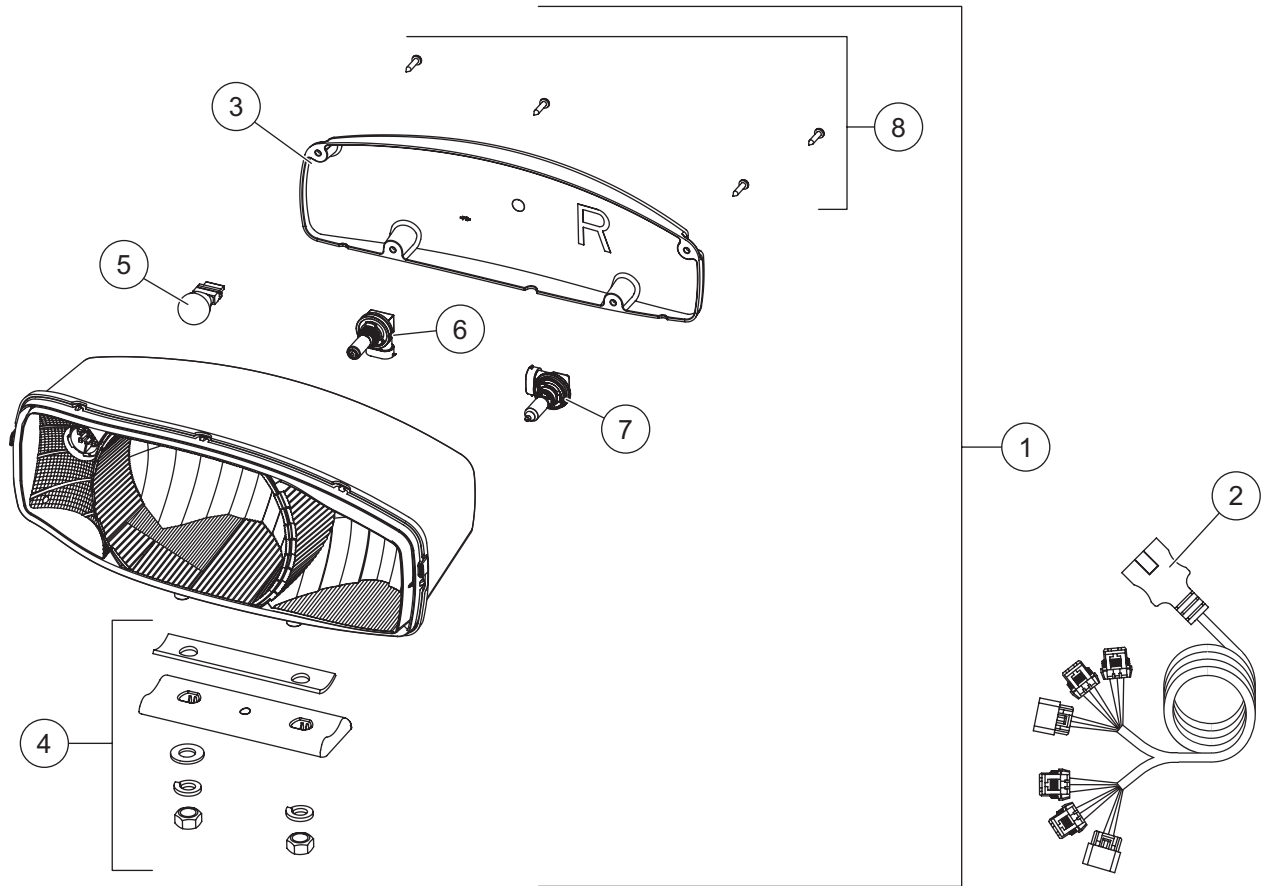
VEHICLE-SIDE HARNESS DIAGRAM

Vehicle-Side Harness Diagram 3-Port, 2-Plug System



HEADLAMP KIT DIAGRAM

Headlamp Kit – Halogen

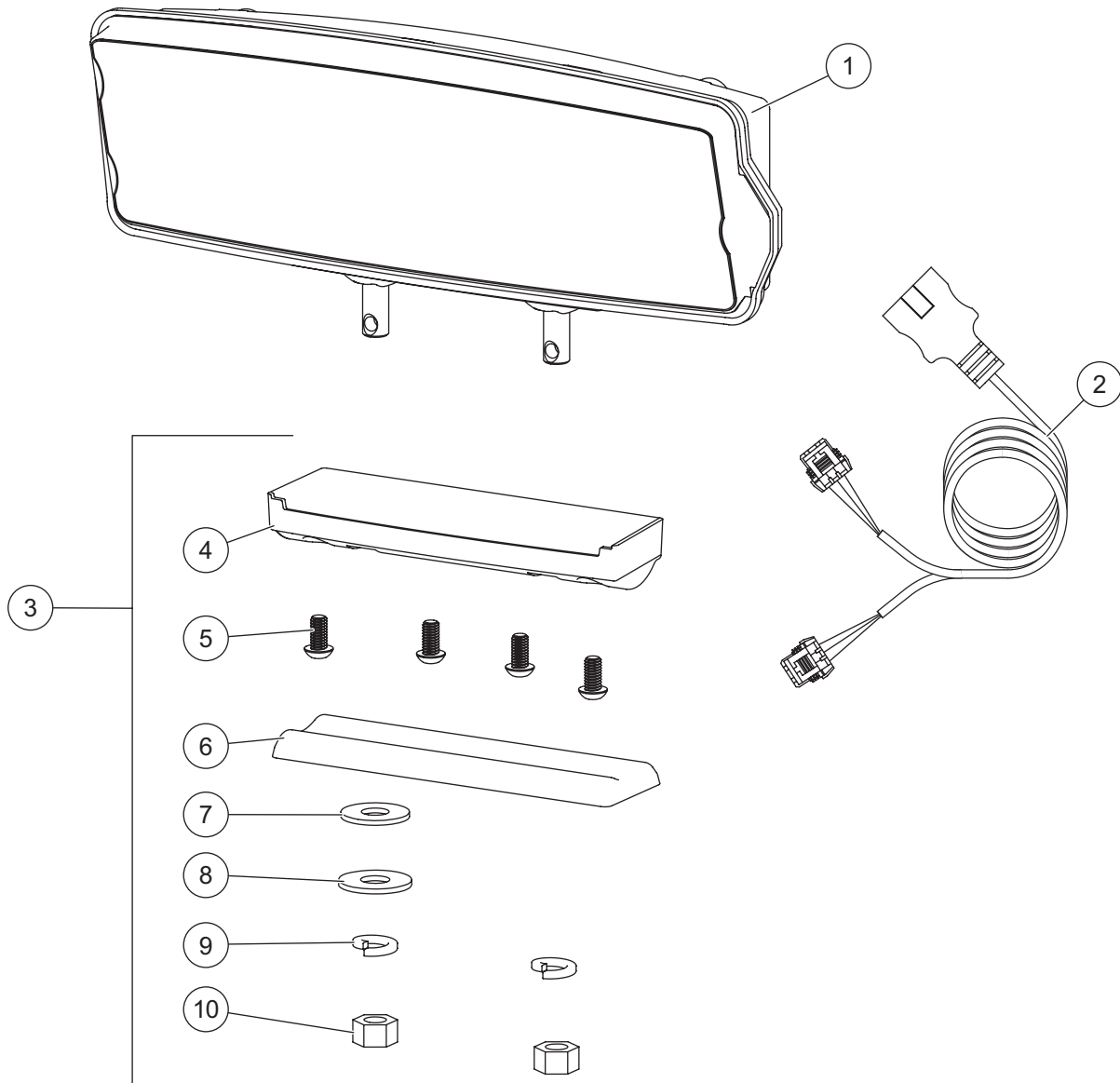


38800 Headlamp Kit H9/H11 (pair)							
Item	Part	Qty	Description	Item	Part	Qty	Description
1	38802	1	Headlamp Service Kit H9/H11 – PS	2	38807	1	Harness Service Kit H9/H11
ns	38801	1	Headlamp Service Kit H9/H11 – DS				
Item 1	38801/38802 Headlamp Service Kit H9/H11 – DS/PS						
3	38803	1	Rear Cover Kit H9/H11 – PS	6	38811	1	Headlamp Bulb Service Kit H11
ns	38812	1	Rear Cover Kit H9/H11 – DS	7	38809	1	Headlamp Bulb Service Kit H9
4	38804	1	Mounting Hardware Kit H9/H11	8	38808	1	Cover Screws Service Kit H9/H11 (pkg of 4)
5		1	Park/Turn Bulb (trade no. 4157NAK)				

ns = not shown

HEADLAMP KIT DIAGRAM

Headlamp Kit – LED



Headlamp Kit LED						
Item	Part	Qty	Description	Item	Part	Qty Description
1	39901	1	Headlamp Service Kit LED – DS	3	39903	1 Mounting Hardware Kit LED
ns	39902	1	Headlamp Service Kit LED – PS	ns	72512	1 LED Harness Connector Cover (pkg of 2)
2	72548	1	Harness Service Kit LED			
Item 3			39903 Mounting Hardware Kit LED			
4		1	Plastic Casing	8		1 1/2 Flat Washer
5		4	1/4 Button Cap Screw	9		2 1/2 Lock Washer
6		1	Headlamp Swivel	10		2 1/2 Hex Nut
7		1	1/2 Rubber Washer	ns		1 Metal Insert
ns = not shown						



Western Products
PO Box 245038
Milwaukee, WI 53224-9538
www.westernplows.com

 A DIVISION OF DOUGLAS DYNAMICS, LLC

Copyright © 2021 Douglas Dynamics, LLC. All rights reserved. This material May not be reproduced or copied, in whole or in part, in any printed, mechanical, electronic, film, or other distribution and storage media, without the written consent of Western Products. Authorization to photocopy items for internal or personal use by Western Products outlets or snowplow owner is granted.

Western Products reserves the right under its product improvement policy to change construction or design details and furnish equipment when so altered without reference to illustrations or specifications used. Western Products or the vehicle manufacturer May require or recommend optional equipment for snow removal. Do not exceed vehicle ratings with a snowplow. Western Products offers a limited warranty for all snowplows and accessories. See separately printed page for this important information. The following are registered (®) or unregistered (™) trademarks of Douglas Dynamics, LLC: DEFENDER™, ULTRAFINISH™, WESTERN®.

Printed in U.S.A.