



Fisher Engineering

50 Gordon Drive, Rockland, Maine 04841-2139 • www.fisherplows.com

February 15, 2013
Lit. No. 94637, Rev. 04

Drive Components

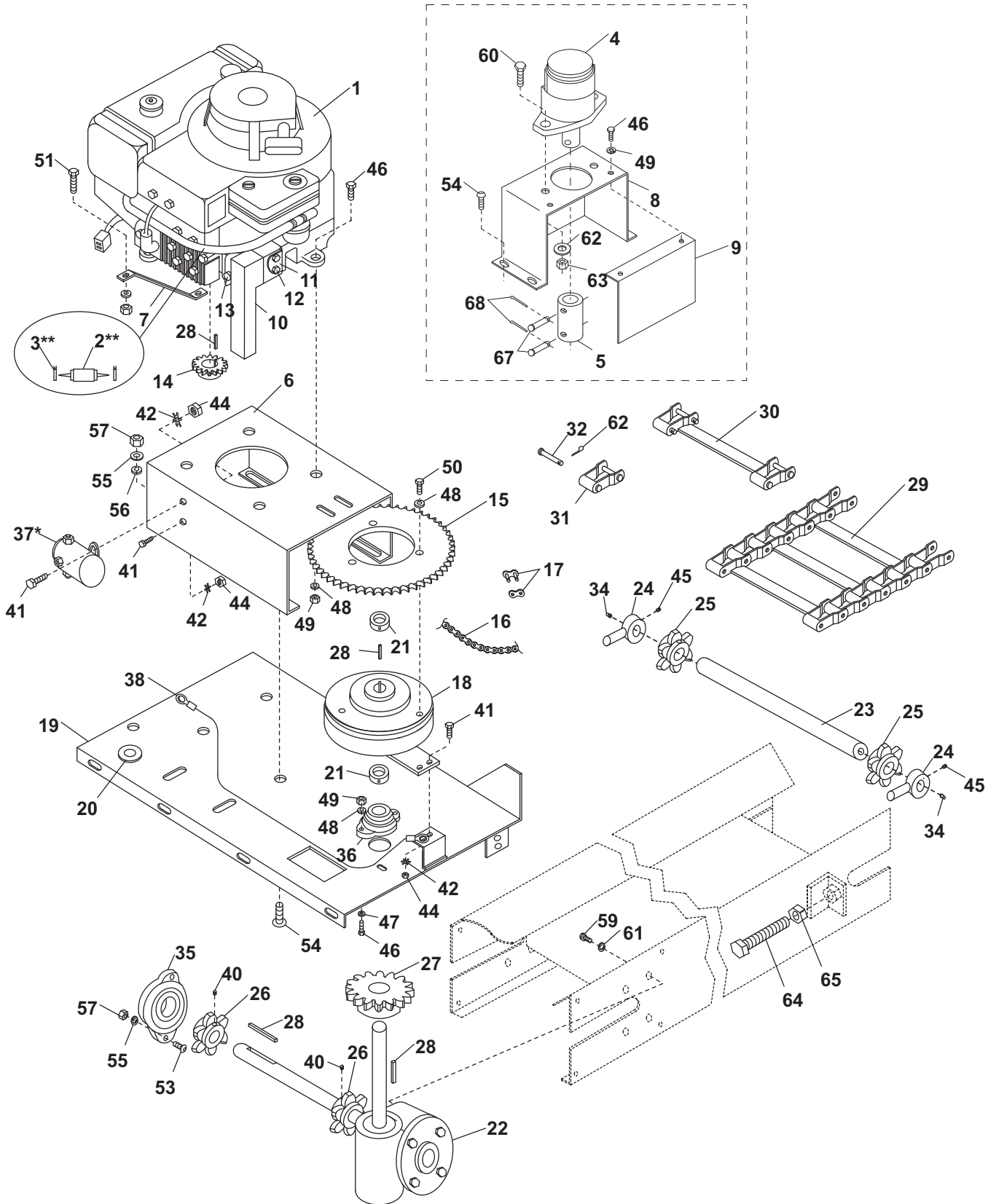
Hopper Spreader

Parts List

This Parts List is for FISHER® Hopper Spreaders with serial numbers 4809–7663.

HOPPER SPREADER

DRIVE COMPONENTS



HOPPER SPREADER

Drive Components							
Item	Part	Qty	Description	Item	Part	Qty	Description
1	68805	1	10 hp Tecumseh Engine	25	65189	2	Idler Sprocket 6T
2	**	1	Inline Fuel Filter	26	65909	2	Drive Sprocket 6T
3	**	2	Hose Clamp	27	65181	1	Sprocket, #40 x 16T x 1 ID
4	68396	1	Hydraulic Motor	28	65174	5	Machine Key, 1/4 sq x 1-1/2
5	68402	1	Coupler	29	68349	1	Conveyor Chain 8' Regular Capacity (123 links)
6	65356	1	Engine Mount		94462	1	Conveyor Chain 7' Regular Capacity (108 links)
7	68854	1	Engine Mount Brace		68474	1	Conveyor Chain 8' High Capacity (123 links)
8	68397	1	Mount – Hydraulic Motor		68435	1	Conveyor Chain 10' High Capacity (150 links)
9	68470	1	Motor Mount Front Cover				
10	68855	1	Muffler				
11	68847	1	Muffler Bolt Retainer				
12	68846	2	5/16-18 x 3 Hex Cap Screw G2				
13	68848	1	1/4-20 x 5/8 Hex Cap Screw G5	30	68375	AR	Conveyor Repair Bar Reg. Capacity w/Pins and Cotters
14	9209K	1	Sprocket #40 x 12T x 1 ID				
15	65209	1	Sprocket, Clutch, #40 x 52T		68492	AR	Conveyor Repair Bar High Capacity w/Pins and Cotters
16	68350	1	#40 Roller Chain 29.5" Regular Capacity w/Master Link				
	68417	1	#40 Roller Chain 36.5" High Capacity w/Master Link	31	68475	AR	Conveyor Repair Link w/Pins and Cotters
17	20353K	1	#40 Roller Chain Master Link	32	41743	AR	Conveyor Chain Pin w/Cotter
18	65212	1	Electric Clutch	34	20188	2	Grease Fitting – Straight
19	68347	1	Engine Base Regular Capacity MS	35	65171	1	1-1/8 Flange Bearing 2-Bolt
	68357	1	Engine Base Regular Capacity SS	36	65182	1	1" Flange Bearing 2-Bolt
19	68450	1	Engine Base High Capacity MS	37*	20136	1	Relay – Hopper Spreader
19	68876	1	Engine Base High Capacity SS	38	67241	1	Clutch Ground Wire
20	65216	1	Rubber Grommet 1" ID				
21	65211	2	Locking Collar 1" ID				
22	68374	1	Gear Case Regular Capacity				
	68384	1	Gear Case High Capacity				
	68412	1	Gear Case Reg. Capacity Hydraulic				
	68463	1	Gear Case High Capacity Hydraulic				
23	65191	1	Idler Shaft Regular Capacity				
	68434	1	Idler Shaft High Capacity				
24	65188	2	Rod End				

G = Grade

SS = Stainless Steel

MS = Mild Steel

AR = As Required

* Contained in Hopper Parts Kit.

** Not included on hoppers with serial numbers 6738 and higher. These items were included on spreaders with serial numbers 4583–6737. For service, use PN 94645 Tecumseh Engine Fuel Line.

See page 4 for hardware parts list.

HOPPER SPREADER

Drive Components – Hardware							
Item	Part	Qty	Description	Item	Part	Qty	Description
40	68480	2	1/4-20 x 3/8 Socket Head Set Screw SS	54	90375	6	3/8-16 x 1 Carriage Bolt SS
					90201	6	3/8-16 x 1 Carriage Bolt
41	90461	18	1/4-20 x 3/4 Hex Cap Screw	55	91203	12	3/8 Lock Washer
	90381	21	1/4-20 x 3/4 Hex Cap Screw SS		91282	12	3/8 Lock Washer SS
42	91262	4	1/4 External Tooth Lock Washer	56	90315	8	3/8 Plain Washer
	67083	4	1/4 External Tooth Lock Washer SS		91123	8	3/8 Plain Washer SS
43	91201	14	1/4 Lock Washer	57	91413	12	3/8-16 Hex Nut
	91281	14	1/4 Lock Washer SS		91431	12	3/8-16 Hex Nut SS
44	91411	18	1/4-20 Hex Nut	59	68360	4	1/2-13 x 3/4 Socket Button Head Cap Screw SS
	91429	21	1/4-20 Hex Nut SS				
45	91011	2	5/16-18 x 3/4 Socket Set Screw SS	60	90210	2	1/2-13 x 1-1/2 Hex Cap Screw
46	90018	2	5/16-18 x 5/8 Hex Cap Screw	61	91205	4	1/2 Lock Washer
47	66440	5	5/16-18 x 1-1/2 Hex Cap Screw G5		91284	4	1/2 Lock Washer SS
	90977	5	5/16-18 x 1-1/2 Hex Cap Screw SS	62	91105	2	1/2 Plain Washer
48	90980	12	5/16 Plain Washer SS	63	91335	2	1/2-13 Hex Locknut
NS	91276	8	5/16 Lock Washer SS	64	20150	2	5/8-11 x 6 Take-Up Bolt
	91202	2	5/16 Lock Washer		65609	2	5/8-11 x 6 Take-Up Bolt SS
49	91412	6	5/16-18 Hex Nut	65	91416	2	5/8-11 Hex Nut
	91430	6	5/16-18 Hex Nut SS		91435	2	5/8-11 Hex Nut SS
50	93162	7	5/16-18 x 3/4 Hex Cap Screw SS	66	91897	AR	3/32 x 1/2 Cotter Pin
51	68533	1	5/16-18 x 2 Hex Cap Screw	67	67147	2	3/8 x 2 Clevis Pin
53	67093	2	3/8-16 x 1-1/4 Socket Button Head Cap Screw SS	68	91962	2	1/8 Hairpin Cotter
G = Grade		SS = Stainless Steel		NS = Not Shown		AR = As Required	

Copyright © 2012 Douglas Dynamics, L.L.C. All rights reserved. This material may not be reproduced or copied, in whole or in part, in any printed, mechanical, electronic, film or other distribution and storage media, without the written consent of Fisher Engineering. Authorization to photocopy items for internal or personal use by Fisher Engineering outlets or spreader owner is granted.

Fisher Engineering reserves the right under its product improvement policy to change construction or design details and furnish equipment when so altered without reference to illustrations or specifications used. Fisher Engineering or the vehicle manufacturer may require or recommend optional equipment for spreaders. Do not exceed vehicle ratings with a spreader. Fisher Engineering offers a limited warranty for all spreaders and accessories. See separately printed page for this important information. The following are registered (®) or unregistered (™) trademarks of Douglas Dynamics, L.L.C.: FISHER®.

Printed in U.S.A.