



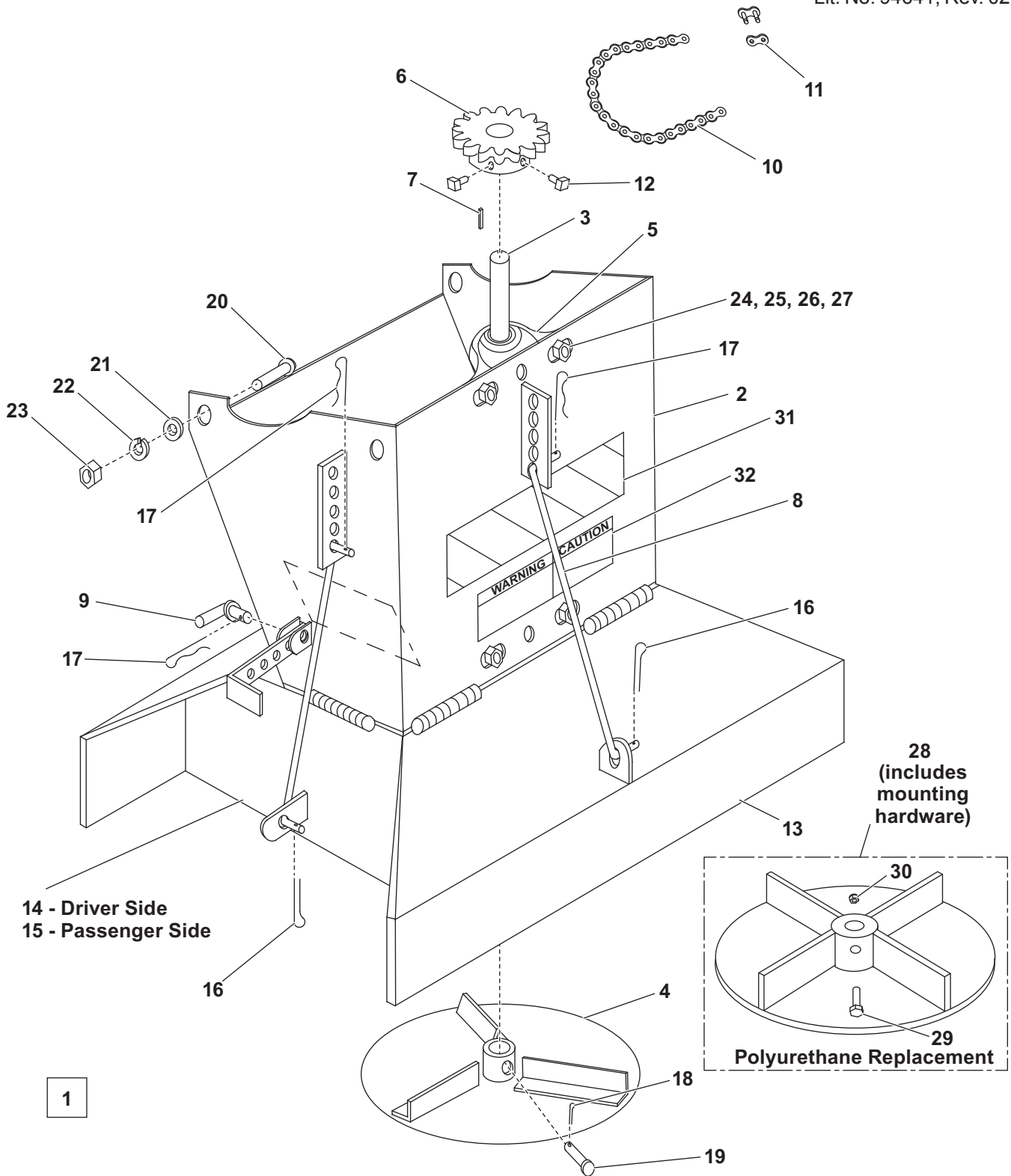
FISHER ENGINEERING

50 Gordon Drive, Rockland, ME 04841-2139 www.fisherplows.com

Regular Capacity Chute Assembly Parts List - 9031, 9032, 9189, 9194

March 1, 2013

Lit. No. 94641, Rev. 02



This parts list is for FISHER® Hopper Spreaders with serial numbers 4809 and higher.

Regular Capacity Chute Assembly Parts List - 9031, 9032, 9189, 9194

RC Chute Assembly Parts List							
Item	Part	Qty	Description	Item	Part	Qty	Description
1	9189	1	Chute Assembly – 14" RC MS	15	68874	1	Baffle Kit, Passenger Side MS
	9031	1	Chute Assembly – 14" RC SS		68875	1	Baffle Kit, Passenger Side SS
	9194	1	Chute Assembly – 26" RC MS	16	91004	3	1/8 x 3/4 Cotter Pin
	9032	1	Chute Assembly – 26" RC SS		9261	5	3/32 x 2-1/4 Hairpin Cotter
2	9298	1	Chute Housing Assembly – 14" RC MS	18	91022	1	1/16 x 1/2 Cotter Pin
	20092	1	Chute Housing Assembly – 14" RC SS	19	9265	1	1/4 x 1-1/2 Clevis Shear Pin
	9299	1	Chute Housing Assembly – 26" RC MS		20	90965	4
	20093	1	Chute Housing Assembly – 26" RC SS	91023	4	3/8-16 x 1 Carriage Bolt SS	
3	65196	1	Spinner Shaft RC 14" Chute	21	90315	4	3/8" Plain Washer
	65243	1	Spinner Shaft RC 26" Chute		91006	4	3/8" Plain Washer SS
4	9196	1	Spinner Disk, RC MS	22	90361	4	3/8" Lock Washer
	20095	1	Spinner Disk, RC SS		91007	4	3/8" Lock Washer SS
5	65197	2	3/4" Pillow Block Bearing	23	90334	4	3/8-16 Hex Nut
6	65193	1	Sprocket, #40 x 24T x 3/4 ID		91008	4	3/8-16 Hex Nut SS
7	9197	1	Machine Key, 3/16" Square x 1"	24	94321	4	7/16-14 x 1-1/2 Carriage Bolt
8	9195	3	Control Rod – 10"	25	94322	4	7/16 Plain Washer SS
9	65206	2	Adjustment Pin	26	94323	4	7/16 Lock Washer SS
10	68351	1	#40 Roller Chain, 26-1/2 w/Master Link	27	94324	4	7/16-14 Hex Nut SS
11	20353	1	#40 Roller Chain Master Link	28	94514	1	Spinner Kit (Polyurethane)
12	68843	1	Parts Bag – Spinner Set Screws	29	94498	1	1/4-20 x 2-1/4 Hex Cap Screw SS
13	68815	1	Baffle Kit, Rear – MS	30	67076	1	1/4-20 Hex Locknut SS
	68816	1	Baffle Kit, Rear – SS		31	68737	1
14	68900	1	Baffle Kit, Driver Side MS	32		68595	1
	68901	1	Baffle Kit, Driver Side SS				
SS = Stainless Steel				MS = Mild Steel			

Copyright © 2013 Douglas Dynamics, LLC. All rights reserved. This material may not be reproduced or copied, in whole or in part, in any printed, mechanical, electronic, film or other distribution and storage media, without the written consent of Fisher Engineering. Authorization to photocopy items for internal or personal use by Fisher Engineering outlets or spreader owner is granted.

Fisher Engineering reserves the right under its product improvement policy to change construction or design details and furnish equipment when so altered without reference to illustrations or specifications used. Fisher Engineering or the vehicle manufacturer may require or recommend optional equipment for spreaders. Fisher Engineering offers a limited warranty for all spreaders and accessories. See separately printed page for this important information. The following is a registered (®) trademark of Douglas Dynamics, LLC: FISHER®.

Printed in U.S.A.