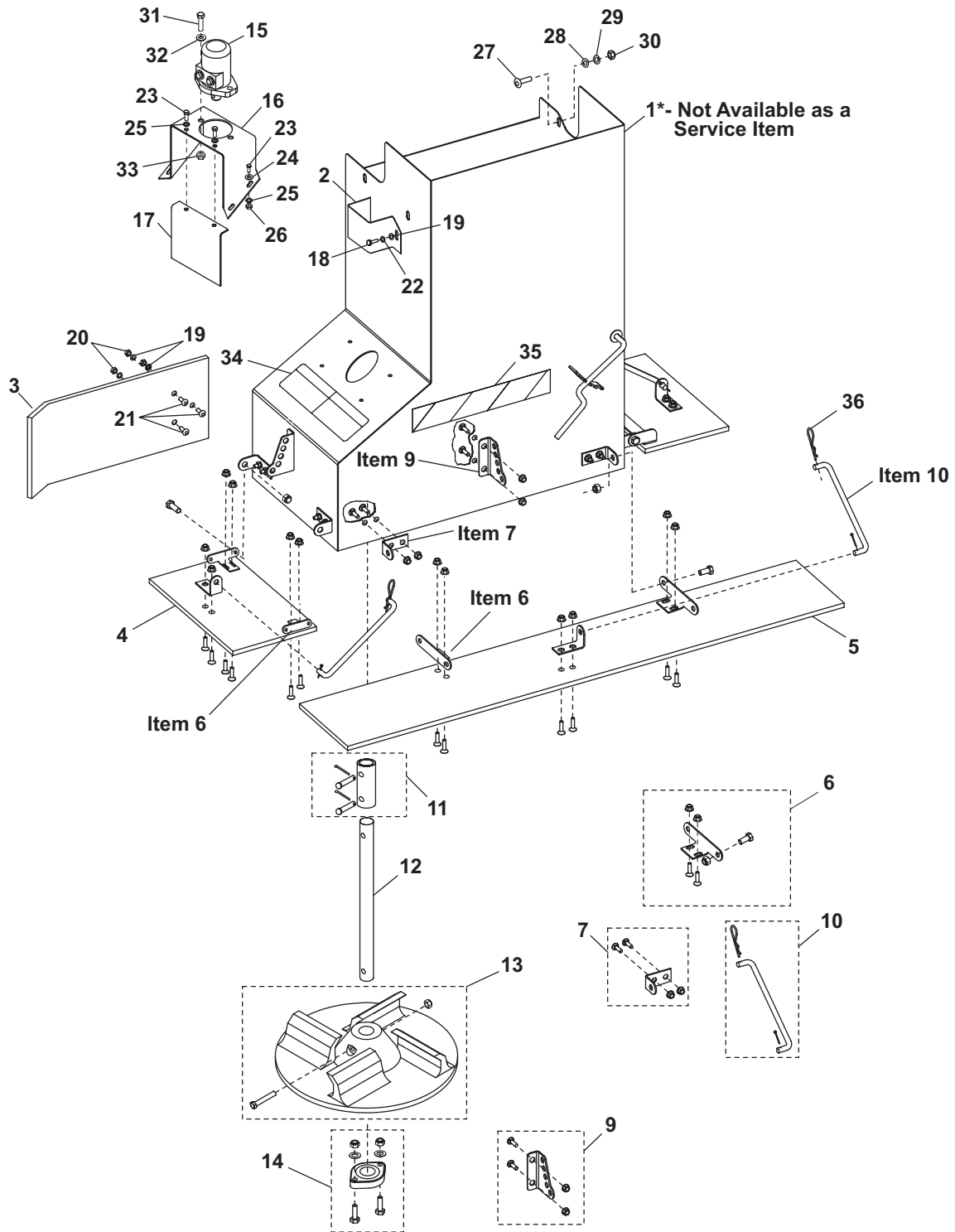




ICE BREAKER™ Dual Hydraulic Chute Parts List - 95224 and 95225

WESTERN PRODUCTS
P.O. Box 245038
Milwaukee, Wisconsin 53224-9538

March 1, 2002
Lit. No. 95242



This parts list is for WESTERN® ICEBREAKER™ Hopper Spreaders with serial numbers 0144 and higher.

- over -

ICE BREAKER™ Chute Assembly Parts List

ICE BREAKER™ Chute Assembly Part Numbers

Part	Description	Part	Description
95224	26" Dual Hydraulic, Mild Steel	95225	26" Dual Hydraulic, Stainless Steel

ICE BREAKER™ Chute Assembly Parts List

Item	Part	Qty	Description	Item	Part	Qty	Description
1*		1	Chute Housing				
2	95235	1	Output Guard, Mild Steel	20	67076	3	1/4"-20 Hex Locknut, Stainless Steel
2	95239	1	Output Guard, Stainless Steel	21	94580	3	1/4"-20 x 3/4" Carriage Bolt, Stainless Steel
3	94667	1	Deflector, Bolt-on				
4	94404	2	Baffle, Side External Poly	22	91281	2	1/4" Lock Washer, Stainless Steel
5	94401	1	Baffle, Rear External Poly	23	90951	6	5/16"-18 x 3/4" Hex Cap Screw, Stainless Steel
6	95234	6	Hinge Kit, Rear and Side Baffles	24	91099	4	5/16" Plain Washer, Stainless Steel
7	94888	9	Hinge Tab Kit	25	91276	6	5/16" Lock Washer, Stainless Steel
9	94887	3	Adjustment Bracket Kit	26	91430	4	5/16"-18 Hex Nut, Stainless Steel
10	94889	3	Baffle Adjustment Rod Kit	27	90375	4	3/8"-16 x 1" Carriage Bolt, Stainless Steel
11	95244	1	Hydraulic Motor Coupling Kit	28	91123	4	3/8" Plain Washer, Stainless Steel
12	94684	1	Shaft, Spinner – Dual Hydraulic	29	91282	4	3/8" Lock Washer, Stainless Steel
13	94884	1	Spinner Kit, 12" Poly	30	91431	4	3/8"-16 Hex Nut, Stainless Steel
14	94897	1	Spinner Bearing Kit	31	68108	2	1/2"-13 x 1-1/2" Hex Cap Screw, Stainless Steel
15	68396	1	Hydraulic Motor	32	68109	2	1/2" Plain Washer, Stainless Steel
16	94681	1	Hydraulic Motor Mount, Chute	33	91335	2	1/2" Hex Locknut
17	94683	1	Cover, Hydraulic Motor Mount, Chute	34	68595	1	Label – Information (Caution)
18	90381	2	1/4"-20 x 3/4" Hex Cap Screw, Stainless Steel	35	68737	1	Reflective Strip (Red/White)
19	91013	5	1/4" Plain Washer, Stainless Steel	36	91959	3	3/32" x 2-1/4" Hairpin Cotter

* = Not Available as a Service Item

Copyright© 2002 Douglas Dynamics, L.L.C. All rights reserved. This material may not be reproduced or copied, in whole or in part, in any printed, mechanical, electronic, film or other distribution and storage media, without the written consent of Western Products. Authorization to photocopy items for internal or personal use by Western Products outlets is granted.

Western Products reserves the right under its product improvement policy to change construction or design details and furnish equipment when so altered without reference to illustrations or specifications used herein. Western Products and the vehicle manufacturer may require and/or recommend optional equipment for hopper spreaders. Western Products offers a limited warranty for all hopper spreaders and accessories. See separately printed page for this important information. The following are registered® and unregistered™ trademarks of Douglas Dynamics, L.L.C.: WESTERN®, ICE BREAKER™.

Printed in USA