



**Fisher Engineering**

**96001**

50 Gordon Drive, Rockland, Maine 04841-2139 • [www.fisherplows.com](http://www.fisherplows.com)

December 1, 2022  
Lit. No. 95844, Rev. 11

# Hopper and Drive Components

## POLY-CASTER™ Hopper Spreader

### Parts List

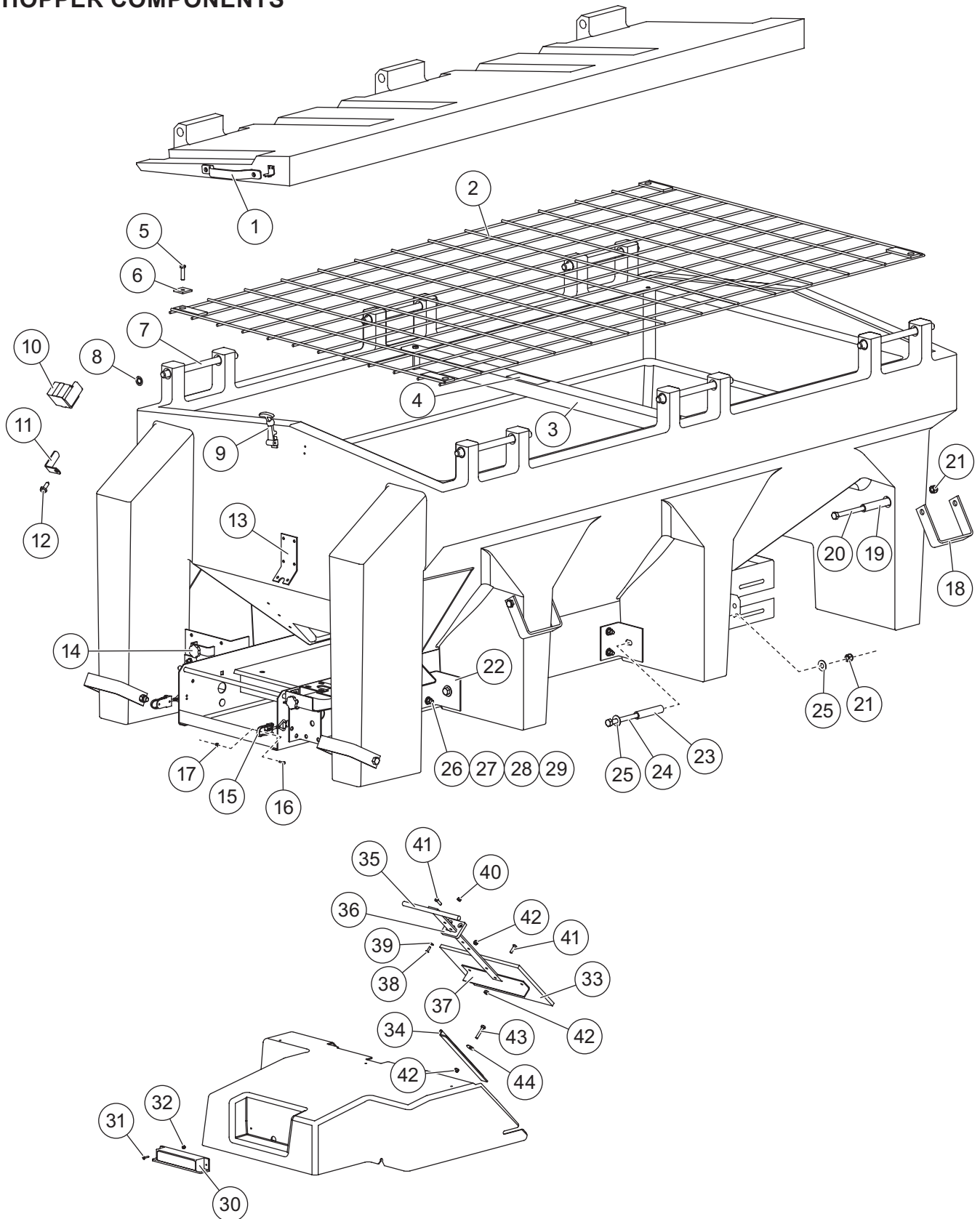
This Parts List is for FISHER® POLY-CASTER hopper spreaders with serial numbers beginning with 0606–0608.

---

**A DIVISION OF FISHER, LLC**

# POLY-CASTER™ HOPPER SPREADER

## HOPPER COMPONENTS

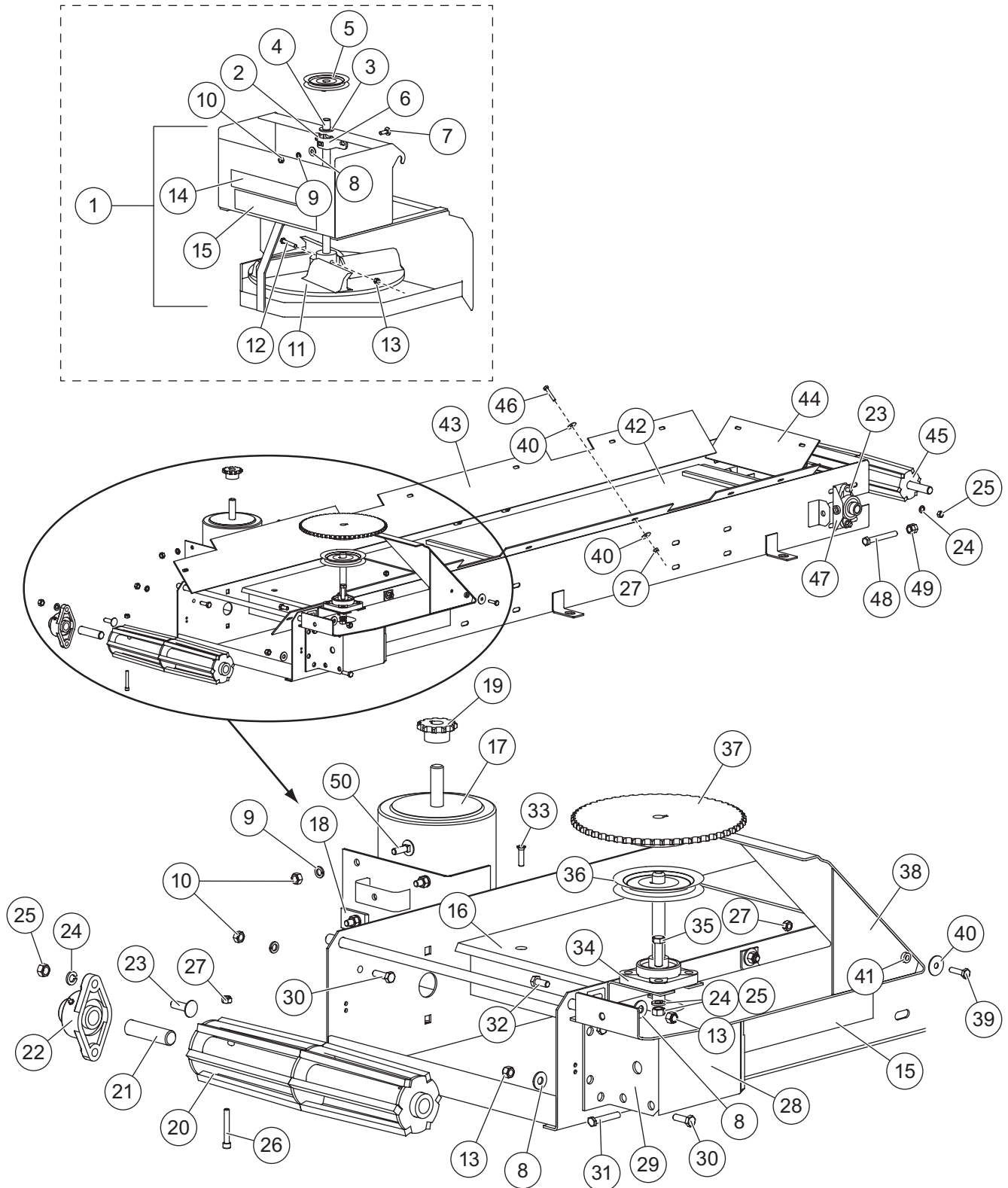


# POLY-CASTER™ HOPPER SPREADER

Hopper Components									
Item	Part	Qty	Description	Item	Part	Qty	Description		
1	99098	2	Plastic Handle Kit	24	95826	4	1/2-13 x 5-1/2 Hex Cap Screw SS		
2		1	Top Screen	25	68109	8	1/2 Flat Washer Wide SS		
3		1	Top Screen Brace with Label	26	90375	16	3/8-16 x 1 Carriage Bolt		
4	67272	1	Label – Caution, Do Not Lift	27	91123	16	3/8 Flat Washer Wide SS		
5	66438	4	3/8-16 x 1-1/2 Hex Cap Screw SS	28	91282	16	3/8 Lock Washer SS		
6	95831	4	Top Screen Washer	29	91431	16	3/8-16 Hex Nut		
7	95817	6	Hinge Pin	30		1	Center High Mounted Stoplight		
8	95818	12	Hinge Pin Retainer	31	90693	2	#6-32 x 3/4 Machine Screw		
9	P3045	2	Latch Kit	32	91398	2	#6-32 Hex Locknut GB SS		
10	8284K	1	Cable Boot	33	95772	1	Poly Feed Gate		
11	8289	1	Boot Bracket	34	95773	2	Feed Gate Guide		
12	96375	1	3/8 x 1 Sheet Metal Screw	35	95775	1	Feed Gate Handle		
13	95774	1	Feed Gate Bracket	36	68830	1	Feed Gate Handle Guide		
14	67158	2	1/4-20 x 1 Thumb Screw SS	37	95768	1	Feed Gate Stiffener		
15	95819	2	Draw Latch	38	68512	5	#10-32 x 5/8 Machine Screw SS		
16	98020	6	#8-32 x 1/2 Machine Screw	39	M2052	5	M5 Flat Washer		
17	91372	6	#8-32 Hex Locknut GB	40	68511	5	#10-32 Hex Locknut GB		
18	95848	6	Handle	41	67074	6	1/4-20 x 1 Machine Screw Phillips Head Countersunk		
19	95812	6	5" Sleeve	42	67076	10	1/4-20 Hex Locknut GB SS		
20	95825	6	1/2-13 x 6-1/2 Hex Cap Screw SS	43	96376	4	1/4-20 x 1-1/2 Hex Cap Screw SS		
21	95834	10	1/2-13 Hex Locknut SS	44	67155	4	1/4 Flat Washer SS		
22	95765	8	Hopper Mounting Bracket						
23	95830	4	4" Sleeve						
			SS = Stainless Steel				M = Metric		
							G = Grade		

# POLY-CASTER™ HOPPER SPREADER

## DRIVE COMPONENTS



# POLY-CASTER™ HOPPER SPREADER

Drive Components							
Item	Part	Qty	Description	Item	Part	Qty	Description
1	96379	1	Chute w/Labels	33	67074	8	1/4-20 x 1 Machine Screw Phillips Head Countersunk
2	65777	1	Locking Collar, 3/4 Bore				
3	67114	1	3/4 Thrust Washer	34	68662	1	4-Bolt Flange Bearing, 5/8 Bore
4	95795	1	Spinner Shaft	35	98378	4	3/8-16 x 1-1/4 Hex Cap Screw SS
5		1	Pulley, 4-1/2 x 3/4 Bore	36	65765	1	Pulley, 4-1/2 x 5/8 Bore
6	65776	2	Pillow Block Bearing, 3/4 Bore	37		1	55-Tooth Sprocket #40
7	90556	8	5/16-18 x 1 Carriage Bolt	38	95814	1	Gear Box Cover
8	90980	6	5/16 Flat Washer SS	39	68067	1	1/4-20 x 1 Hex Cap Screw SS
9	91276	8	5/16 Spring Lock Washer SS	40	67155	25	1/4 Flat Washer Special SS
10	91430	8	5/16-18 Hex Nut SS	41	67159	1	3/16 Spacer
11	94511	1	Poly Spinner Kit (incl. items 12 & 13)	42	95757-1	1	Cleated Conveyor Belt
12	94495	1	5/16-18 x 2-1/4 Hex Cap Screw SS	43	95770-1	2	Side Belt Guard
13	91350	3	5/16-18 Hex Locknut SS	44	95771	1	Front Belt Guard
14	68737	1	Reflective Strip, Red/White	45	68606	1	Conveyor Roller, Idler
15	31594EN	3	Label – Warning/Caution, Spreader	46	96376	12	1/4-20 x 1-1/2 Hex Cap Screw SS
16	95769	1	Poly Floor	47	95762	2	Bearing Plate
17	95755-2	1	1/2 hp Motor	48	68620	2	1/2-13 x 4 Take-Up Bolt SS
18	95730	1	Motor Brace	49	67295	2	1/2-13 Hex Nut SS
19	95777	1	11-Tooth Sprocket #40	50	95850	8	5/16-18 x 3/4 Carriage Bolt SS
20	68605	1	Conveyor Roller, Drive	ns	95929	1	Conveyor Belt Lacing Pin
21	65753	1	Stub Shaft – Conveyor Roller	ns	78178-1	1	Spreader Module
22	68619	3	Flange Bearing, 3/4 Bore	ns	29217	1	Vehicle Power Cable
23	68621	4	3/8-16 x 1-1/4 Carriage Bolt	ns	28585-1	1	Spreader Power Cable
24	91282	8	3/8 Spring Lock Washer SS	ns	29221	1	Vehicle-Side Control Harness
25	91431	8	3/8-16 Hex Nut SS	ns	78102	1	Cab Control
26	95926	2	1/4-20 x 2 Hex Cap Screw G8	ns	68794	1	CHMSL Harness Kit
27	67076	14	1/4-20 Hex Locknut GB SS	ns	29253	1	Motor Cable
28		1	Gear Box 20:1	ns	95778	1	Drive Chain #40
29	95809	2	Gear Box Mounting Bracket	ns	95836	1	100A Fuse
30	90551	5	5/16-18 x 1 Hex Cap Screw SS	ns	95837	1	Fuse Holder
31	99249	8	M8 x 1.25 x 16 Hex Cap Screw SS	ns	22511	1	22" Battery Cable
32	93162	2	5/16-18 x 3/4 Hex Cap Screw SS	ns	94691	1	V-Belt
<b>Item 1</b>	<b>96379 Chute with Labels</b>						
		1	Chute	15	31594EN	1	Label – Warning/Caution, Spreader
14	68737	1	Reflective Strip, Red/White				
		ns = not shown				SS = Stainless Steel	
						M = Metric	
						G = Grade	

# POLY-CASTER™ HOPPER SPREADER

---



Fisher Engineering  
50 Gordon Drive  
Rockland, ME 04841-2139  
[www.fisherplows.com](http://www.fisherplows.com)

**A DIVISION OF FISHER, LLC**

Copyright © 2022 Douglas Dynamics, LLC. All rights reserved. This material may not be reproduced or copied, in whole or in part, in any printed, mechanical, electronic, film, or other distribution and storage media, without the written consent of Fisher Engineering. Authorization to photocopy items for internal or personal use by Fisher Engineering outlets or spreader owner is granted.

Fisher Engineering reserves the right under its product improvement policy to change construction or design details and furnish equipment when so altered without reference to illustrations or specifications used. Fisher Engineering or the vehicle manufacturer may require or recommend optional equipment for spreaders. Do not exceed vehicle ratings with a spreader. Fisher Engineering offers a limited warranty for all spreaders and accessories. See separately printed page for this important information. The following are registered (®) or unregistered (™) trademarks of Douglas Dynamics, LLC: FISHER®, POLY-CASTER™.

**Printed in U.S.A.**