



Drive Components

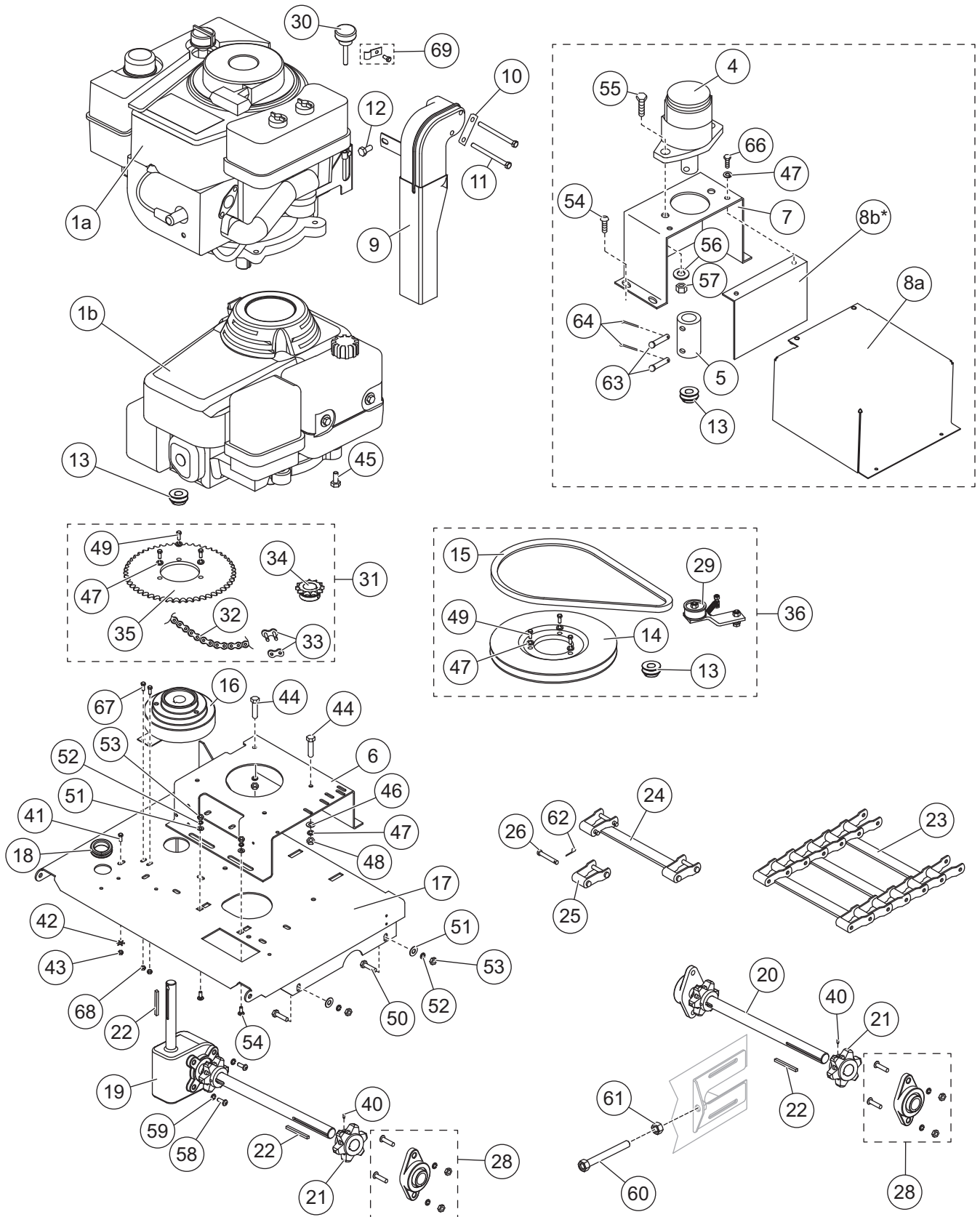
ICE BREAKER™ Hopper Spreader

Parts List

This Parts List is for WESTERN® ICE BREAKER Hopper Spreaders with serial numbers beginning with 0609-0805.

ICE BREAKER™ HOPPER SPREADER

DRIVE COMPONENTS



ICE BREAKER™ HOPPER SPREADER

Drive Components							
Item	Part	Qty	Description	Item	Part	Qty	Description
1a	68805	1	10 hp Tecumseh Engine	24	68492	AR	Conveyor Repair Bar w/Pins and Cotters
1b	94535	1	11 hp Honda Engine				
4	68396	1	Hydraulic Motor	25	68475	AR	Conveyor Repair Link w/Pins and Cotters
5	68402	1	Coupling				
6	68940-1	1	Engine Mount	26	41743	AR	Conveyor Chain Pin w/Cotter
7	68397	1	Mount, Hydraulic Motor	28	94953	3	Spreader Bearing Kit
8a	95472	1	Motor Mount Front Cover	30	95697	1	Choke Stop Assembly (Tecumseh)
8b*	68470	2	Motor Mount Front Cover	31	95736	1	Chain Drive Kit
9	68855	1	Muffler (Tecumseh)	32	96377	1	#40 Chain with Master Link
10	68847	1	Mufler Bolt Retainer	33	95894	AR	#40 Chain Master Link
11	68846	2	5/16-18 x 3 Hex Cap Screw G2	34	65214	1	Sprocket, #40 x 12T x 1.0 ID
12	68848	1	1/4-20 x 5/8 Hex Cap Screw G5	35	65209	1	Sprocket, Clutch, #40 x 52T
13	94669	1	Pulley, Engine	36	95737	1	Accessory Belt Drive Kit
16	65212	1	Electric Clutch				
17	68941-1	1	Engine Base MS				
	94918-1	1	Engine Base SS				
18	65216	1	Rubber Grommet 1"				
19	95567	1	Gear Case				
20	94351	1	Idler Shaft				
21	65909	4	Sprocket, 6T				
22	65174	5	Machine Key, 1/4 sq x 1-1/2				
23	94898	1	Conveyor Chain 7' (108 links)				
	68474	1	Conveyor Chain 8' (123 links)				
	95361	1	Conveyor Chain 9' (138 links)				
	68435	1	Conveyor Chain 10' (150 links)				
		G = Grade				SS = Stainless Steel	
						MS = Mild Steel	
						AR = As Required	

* For dual hydraulic chute drive.

See page 4 for hardware parts list.

Item 36				95737 Accessory Belt Drive Kit			
Item	Part	Qty	Description	Item	Part	Qty	Description
13	94669	1	Pulley, Engine	29	95568	1	Drive Belt Idler Kit
14	94670	1	Pulley, Clutch	47	91276	3	5/16 Spring Lock Washer
15	94691	1	V-Belt	49	93162	3	5/16-18 x 3/4 Hex Cap Screw

ICE BREAKER™ HOPPER SPREADER

Drive Components – Hardware							
Item	Part	Qty	Description	Item	Part	Qty	Description
40	68480	4	1/4-20 x 3/8 Socket Set Screw	54	90375	4	3/8-16 x 1 Carriage Bolt
41	90381	1	1/4-20 x 3/4 Hex Cap Screw	55	68108	2	1/2-13 x 1-1/2 Hex Cap Screw
42	67083	1	1/4 External Lock Washer	56	68109	2	1/2 Flat Washer
43	91429	1	1/4-20 Hex Nut	57	67295	2	1/2-13 Hex Nut
44	90977	*	5/16-18 x 1-1/2 Hex Cap Screw	58	68360	4	1/2-13 x 3/4 Button Cap Screw
45	94690	2	5/16-24 x 3/4 Hex Cap Screw (Honda engine only)	59	91284	4	1/2 Spring Lock Washer
46	90980	4	5/16 Flat Washer	60	65609	2	5/8-11 x 6 Take-Up Bolt SS
47	91276	7	5/16 Spring Lock Washer	61	91435	2	5/8-11 Hex Nut
48	91430	4	5/16-18 Hex Nut	62	91897	AR	3/32 x 1/2 Cotter Pin
49	93162	3	5/16-18 x 3/4 Hex Cap Screw	63	67147	2	3/8 x 2 Clevis Pin G5
50	91015	4	3/8-16 x 1 Hex Cap Screw	64	91902	2	1/8 Cotter Pin
51	91123	16	3/8 Flat Washer	66	80268	2	5/16-18 x 5/8 Hex Cap Screw
52	91282	8	3/8 Spring Lock Washer	67	67072	2	1/4-20 x 1-1/4 Hex Cap Screw
53	91431	8	3/8-16 Hex Nut	68	67076	2	1/4-20 Hex Locknut
				69	95734	1	Choke Stop Clip Kit (Tecumseh)
AR = As Required			SS = Stainless Steel			G = Grade	

* Tecumseh – 4; Honda – 2

Copyright © 2012 Douglas Dynamics, L.L.C. All rights reserved. This material may not be reproduced or copied, in whole or in part, in any printed, mechanical, electronic, film or other distribution and storage media, without the written consent of Western Products. Authorization to photocopy items for internal or personal use by Western Products outlets or spreader owner is granted.

Western Products reserves the right under its product improvement policy to change construction or design details and furnish equipment when so altered without reference to illustrations or specifications used. Western Products or the vehicle manufacturer may require or recommend optional equipment for spreaders. Do not exceed vehicle ratings with a spreader. Western Products offers a limited warranty for all spreaders and accessories. See separately printed page for this important information. The following are registered (®) or unregistered (™) trademarks of Douglas Dynamics, L.L.C.: ICE BREAKER™, WESTERN®.

Printed in U.S.A.