



Fisher Engineering

96050

50 Gordon Drive, Rockland, Maine 04841-2139 • www.fisherplows.com

March 1, 2013
Lit. No. 96076, Rev. 07

Hopper and Drive Components

Model 2500

Low-Profile Tailgate Spreader

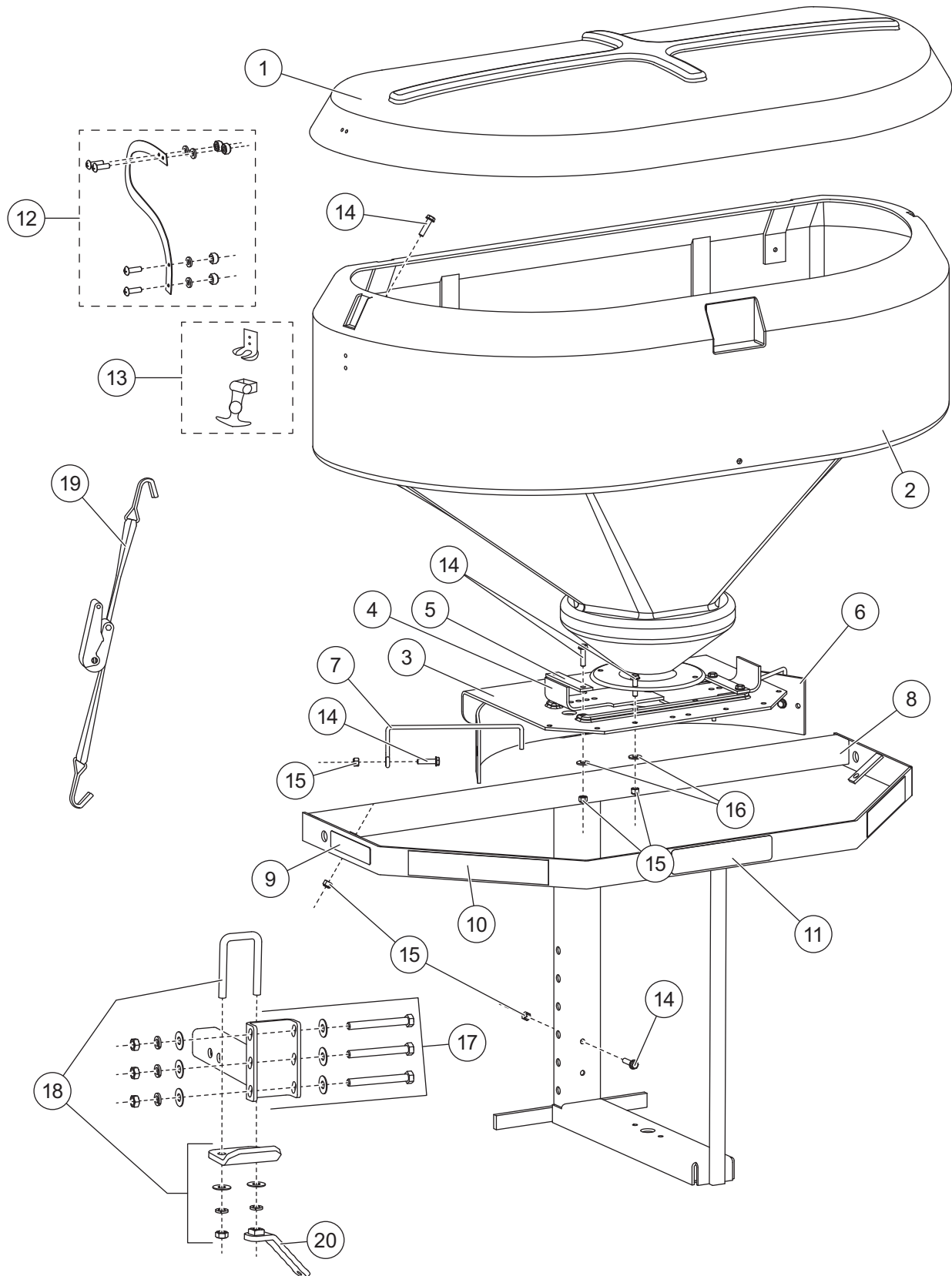
Parts List

This Parts List is for FISHER® Model 2500 Low-Profile Tailgate Spreaders with serial numbers beginning with 080602–101203.

A DIVISION OF FISHER, LLC

MODEL 2500 LOW-PROFILE TAILGATE SPREADER

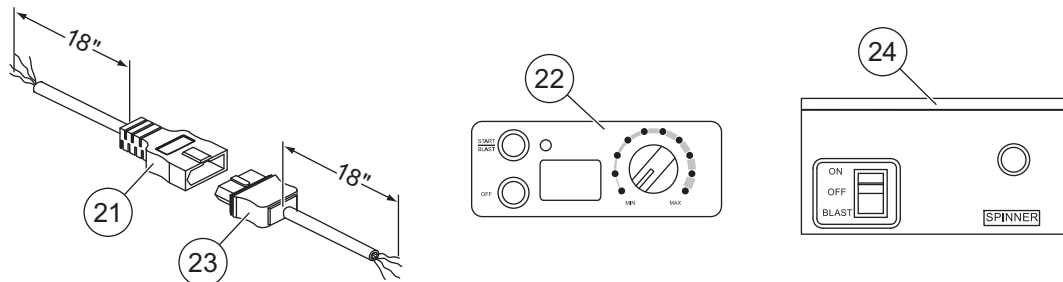
HOPPER COMPONENTS



MODEL 2500 LOW-PROFILE TAILGATE SPREADER

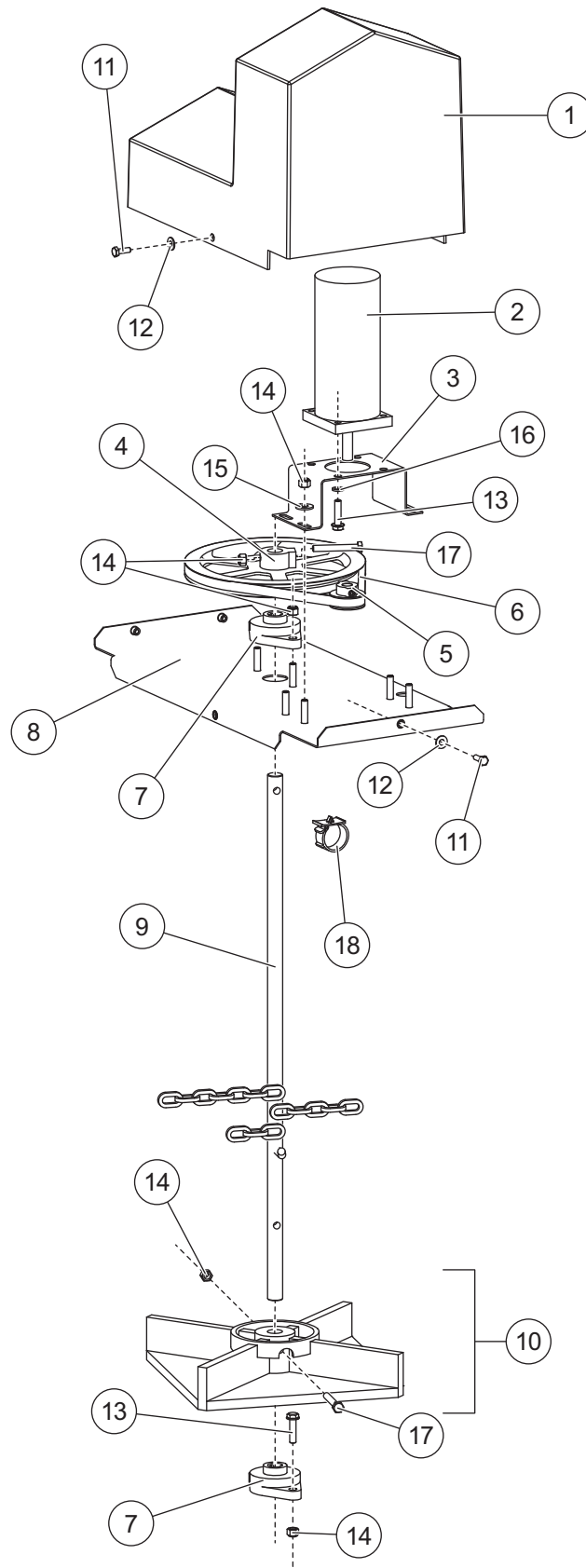
Hopper Components							
Item	Part	Qty	Description	Item	Part	Qty	Description
1	96059	1	Hopper Lid (No Hardware)	11	96140	1	Label, Identity Model 2500
ns	96142	1	Lid Kit (Includes Straps & Hardware)	12	94534	2	Nylon Strap Kit
2	96143	1	Hopper Assembly, Yellow	13	P3045	2	Lid Latch Kit
3	96082	1	Bottom Plate Model 2500, Yellow	14	96166	14	5/16-18 x 1-1/4 Flange Hex Cap Screw SS
4	65493-1	2	Gate	15	91350	14	5/16-18 Hex Locknut GB SS
5	96083	2	Control Strap w/Molded Button	16	90980	12	5/16 Flat Washer Narrow SS
6	95323-1	1	Deflector	17	95318-1	1	Hitch Insert w/Hardware
7	65479	2	Deflector Rod	18	48852	1	Receiver Clamp Kit
8	96053	1	Main Frame	19	68789	2	Ratchet Strap Assy
9	94426	2	Label, Information – Receiver Hitch	ns	76068	1	Label, "UP" Tailgate Spreader Hitch
10	68584	2	Label, Information (Warning)	ns†	48797	1	Top Screen Bag Splitter Kit
Item 17				95318-1 Hitch Insert w/Hardware			
		1	Hitch Insert			3	1/2" Lock Washer Spring SS
		3	1/2-13 x 4-1/2 Hex Cap Screw G5			3	1/2-13 Hex Nut SS
		6	1/2" Flat Washer Wide SS				
Item 18				48852 Receiver Clamp Kit			
		1	Clamp Plate			2	1/2" Lock Washer Spring SS
		1	1/2-13 U-Bolt SS			1	1/2-13 Hex Nut SS
		2	1/2" Flat Washer Wide SS	20	96263	1	1/2-13 Nut Handle
ns = not shown		SS = Stainless Steel		† = Accessory Only		G = Grade	

Hopper Electrical Components							
Item	Part	Qty	Description	Item	Part	Qty	Description
ns	63634	1	Harness, Spreader – 4-pin	ns	63633	1	Harness, Vehicle – 4-pin
21	63693	1	Harness, Spreader End Kit (use w/3- or 4-Pin Connectors)	23	63692	1	Harness, Vehicle End Kit (use w/3- or 4-Pin Connectors)
22	28867	1	Variable Speed (PWM) Control	24	9390	1	ON/OFF Control
ns = not shown							



MODEL 2500 LOW-PROFILE TAILGATE SPREADER

DRIVE COMPONENTS



MODEL 2500 LOW-PROFILE TAILGATE SPREADER

Drive Components							
Item	Part	Qty	Description	Item	Part	Qty	Description
1	96099	1	Motor Cover	10	94595	1	Spinner, Poly – Service Kit
2	9524	1	12V DC Motor	11	90381	5	1/4-20 x 3/4 Hex Cap Screw SS
3	96097	1	Motor Pedestal	12	91013	5	1/4 Flat Washer Narrow SS
4	65406	1	Pulley, 9 x 3/4 Bore	13	96166	6	5/16-18 x 1-1/4 Flange Hex Cap Screw SS
5	9514	1	Pulley, 1-1/2 x 1/2 Bore	14	91350	10	5/16-18 Hex Locknut GB
6	65767	1	V-Belt 4L330 Molded Cog	15	90980	12	5/16 Flat Washer Narrow SS
7	96167	2	3/4 2-Bolt Flange Bearing	16	91276	4	5/16 Spring Lock Washer SS
8	96169	1	Motor Base Plate Service	17	94495	2	5/16-18 x 2-1/4 Hex Cap Screw SS
9	96080	1	Spinner Shaft	18	96216	1	Push Mount Wire Clip
G = Grade				SS = Stainless Steel			

MODEL 2500 LOW-PROFILE TAILGATE SPREADER

Copyright © 2013 Douglas Dynamics, LLC. All rights reserved. This material may not be reproduced or copied, in whole or in part, in any printed, mechanical, electronic, film or other distribution and storage media, without the written consent of Fisher Engineering. Authorization to photocopy items for internal or personal use by Fisher Engineering outlets or spreader owner is granted.

Fisher Engineering reserves the right under its product improvement policy to change construction or design details and furnish equipment when so altered without reference to illustrations or specifications used. Fisher Engineering or the vehicle manufacturer may require or recommend optional equipment for spreaders. Do not exceed vehicle ratings with a spreader. Fisher Engineering offers a limited warranty for all spreaders and accessories. See separately printed page for this important information. The following is a registered (®) trademark of Douglas Dynamics, LLC: FISHER®.

Printed in U.S.A.
