



7'6", 8'6", and 9'6"

MVP PLUS™ Snowplows

Mild Steel Blades 44485-1, 44495-1

Poly Blades 44585-1, 44595-1

Center Assembly 75300-1, 75300-3

Center Assembly, Central Hydraulics 75310-1, 75310-3

Parts List

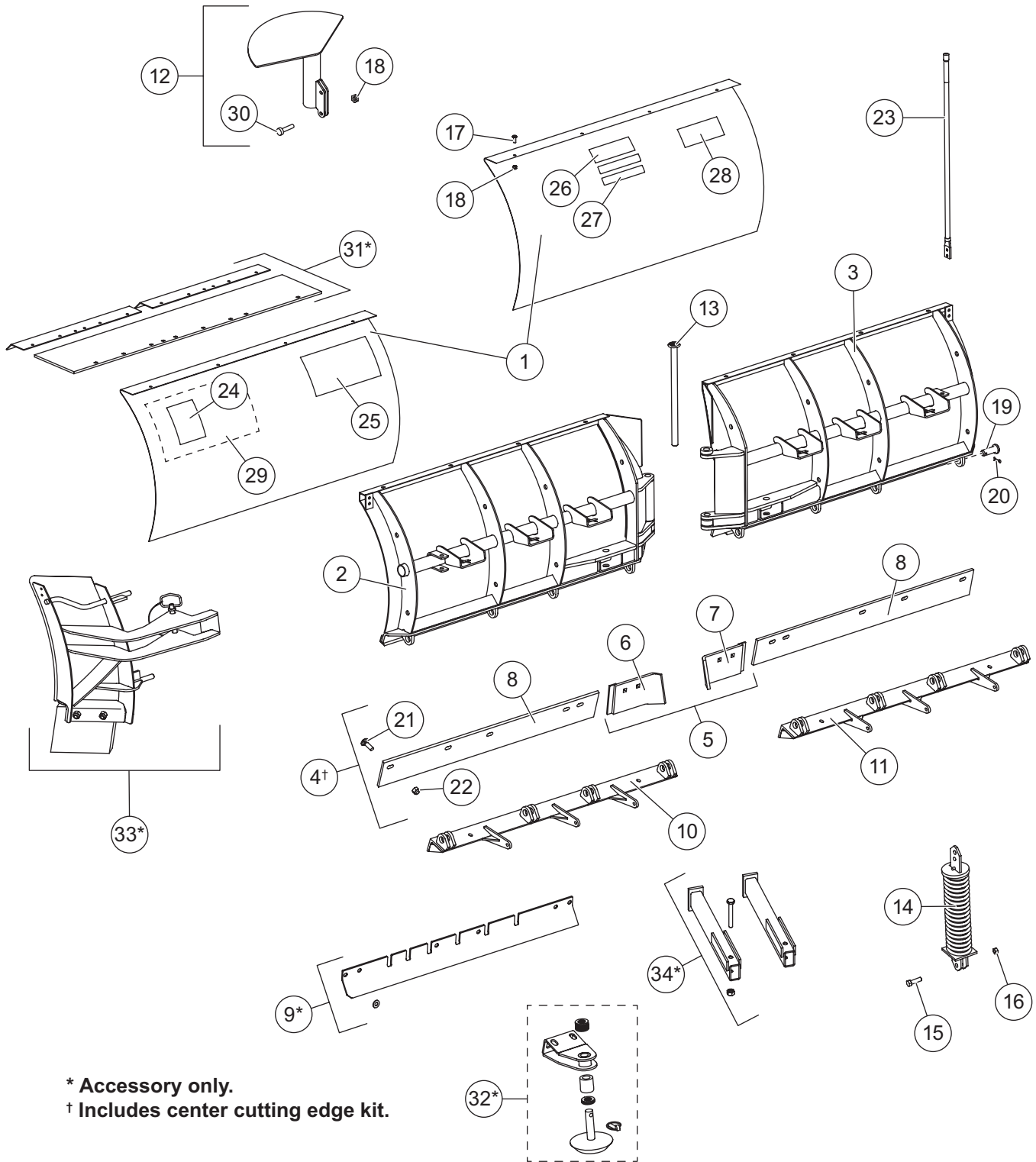


TABLE OF CONTENTS

MVP PLUS™ BLADES	4
MVP PLUS CENTER ASSEMBLY	6
Lift Frame and T-Frame Components.....	6
Hydraulic Unit Components	8
Hydraulic Unit Cover Assembly	10
Lift and Angle Ram Components.....	11
Hoses and Fittings	12
Electrical Components.....	13
Vehicle-Side Harness Diagram – 3-Port, 2-Plug System.....	14
Vehicle-Side Harness Diagram – Central Hydraulics.....	15
Headlamp Kits.....	16–17

MVP PLUS™ BLADES 44475-1/44485-1/44495-1/44575-1/44585-1/44595-1

Blade Components – 9'6" Shown



MVP PLUS™ BLADES 44475-1/44485-1/44495-1/44575-1/44585-1/44595-1

44475-1/44485-1/44495-1/44575-1/44585-1/44595-1 MVP PLUS Blade							
Item Description		Part Number					
		7'6"		8'6"		9'6"	
		MS	POLY	MS	POLY	MS	POLY
1	Moldboard Kit w/Fasteners & Labels	44715	44718	44716	44719	44717	44720
2	Frame, Base Angle & Spring Assembly – DS	44730		44731		44732	
3	Frame, Base Angle & Spring Assembly – PS	44733		44734		44735	
4†	Cutting Edge Kit (3/8)	44561-2		44564-2		n/a	
	Cutting Edge Kit (1/2)	44284-2*		44285-2*		44567-2	
	Cutting Edge Kit (5/8)	–		85358*		85359*	
5	Center Cutting Edge Kit	44894-1					
	Center Cutting Edge Kit (5/8)	85360*					
6	Center Cutting Edge – DS	44891-1					
	Center Cutting Edge (5/8) – DS	85351*					
7	Center Cutting Edge – PS	44890-1					
	Center Cutting Edge (5/8) – PS	85352*					
8	Cutting Edge (3/8) – One Side	44896-1		44897		n/a	
	Cutting Edge (1/2) – One Side	44996-1*		44997*		44898	
	Cutting Edge (5/8) – One Side	–		85355*		85356*	
9*	Back Drag Edge Kit	44281-3		44282-5		44283-5	
10	Base Angle – DS	44142		44144		44146	
11	Base Angle – PS	44143		44145		44147	
12	Center Snow Control Kit	44570				44571	

MS = Mild Steel

* Accessory only.

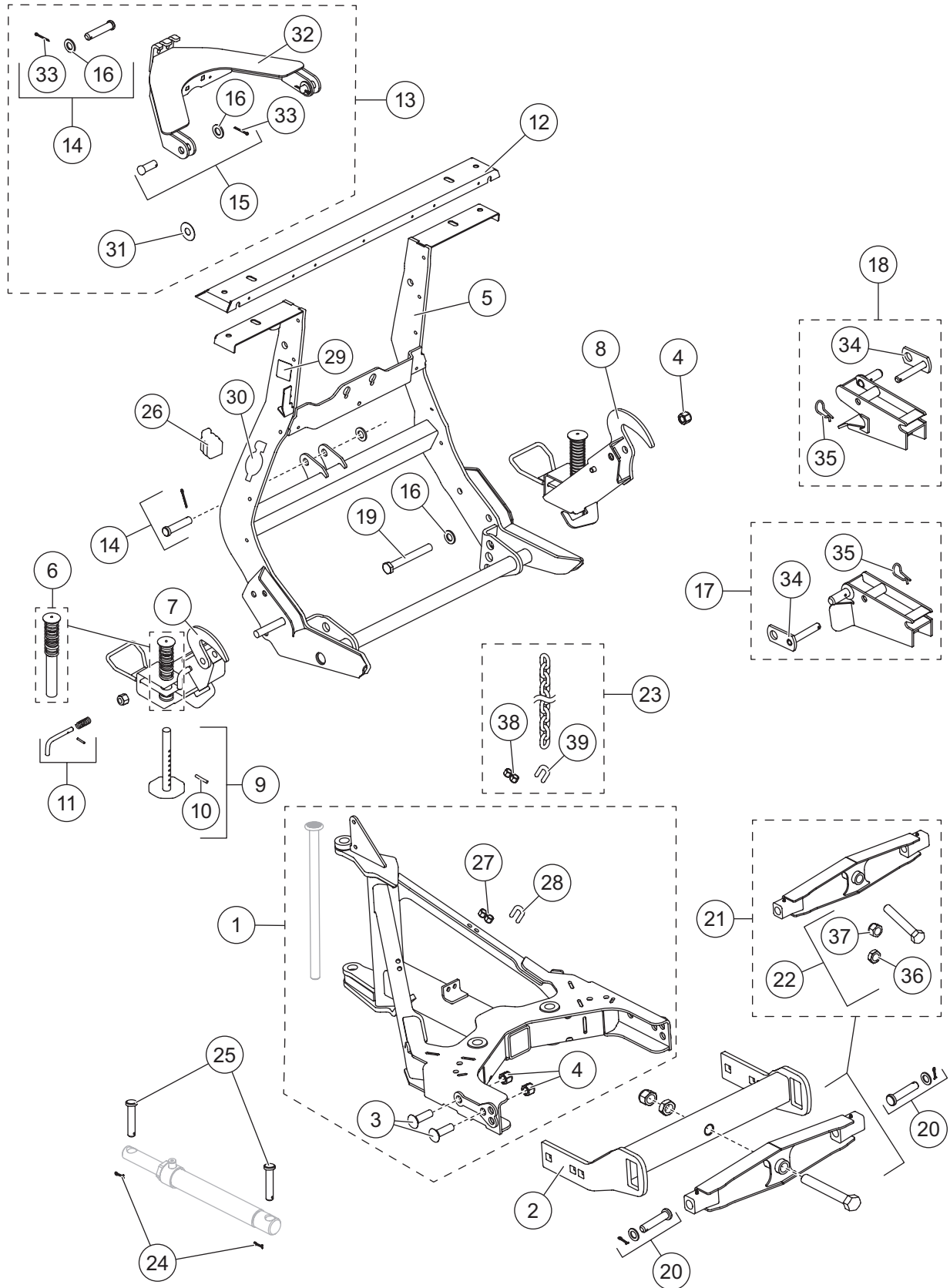
† Includes center cutting edge kit.

Blade Pins, Fasteners, Labels & Springs					
Item	Part	Description	Item	Part	Description
13	44028	Main Pivot Pin	24	59900	Label – Warning/Caution, Snowplows
14	21452	Removable Spring Assembly	25	43360	Label – Attach/Detach, UltraMount® 2
15		7/16-14 x 1/2 x 1-5/8 Shoulder Bolt	26	44453	Label – Logo, MVP PLUS
16		7/16-14 Hex Locknut GB	27	28404	Label – Logo, ULTRAFINISH™ (MS moldboards only)
17		3/8-16 x 1 Button Cap Screw	28	44451	Label – Logo, WESTERN® 8.31"
18		3/8-16 Hex Locknut GB	29	40986	Label – Logo, CONTRACTOR GRADE®
19		1 x 2-3/4 Clevis Pin	ns	44790	Bolt Bag, Rubber Deflector, V
20		1/4 x 1-1/2 Cotter Pin	ns	44763	Bolt Bag, Cutting Edge Kits (one side – 5 sets of fasteners)
21		5/8-11 x 2 Carriage Bolt G5			
22		5/8-11 Hex Locknut GB			
23	62595	Poly Blade Guide Kit			
Item 12 44570 / 44571 Center Snow Control Kit					
		Center Deflector	30		3/8-16 x 1-1/4 Hex Cap Screw G5
18		3/8-16 Hex Locknut GB			
Blade Accessories					
31*	44280	Deflector Kit (universal)	34*	44473	Blade Stop Kit
32*	44277-1	Shoe Kit (set of 2)	ns	43361*	Label Kit – UltraMount 2 Blade (contains items 24–29)
33*	44510-1	Blade Wing Extension Kit (8'6" & 9'6" blades only)			
ns = not shown		MS = Mild Steel		G = Grade	

* Accessory only.

MVP PLUS™ CENTER ASSEMBLY 75300-1/75310-1(CH)

Lift Frame and T-Frame Components



MVP PLUS™ CENTER ASSEMBLY 75300-1/75310-1(CH)

MVP PLUS Lift Frame and T-Frame Components							
Item	Part	Qty	Description	Item	Part	Qty	Description
1†	44546-2	1	T-Frame Service Kit	14	68740	1	3/4 x 3-1/2 Clevis Pin Kit
2	44557-2	1	Pushbeam	15	43351	2	3/4 x 2 Pin Kit
3		4	3/4-10 x 2-1/8 Carriage Bolt G5	16		4	3/4 Flat Washer
ns‡		4	3/4-10 x 2-1/2 Hex Cap Screw G5	17	76722	1	Receiver Kit – DS
4		6	3/4-10 Hex Locknut GB	18	76718	1	Receiver Kit – PS
5	78780	1	Lift Frame Kit	19		2	3/4-10 x 6 Hex Cap Screw G5
6	48523	1	Plunger w/Spring	20	49645	2	1 x 4-3/4 Clevis Pin Kit
7	72618	1	Stand Assembly – DS	21	67842-1	1	Pivot Bar Kit
8	72617	1	Stand Assembly – PS	22	67855	1	Pivot Bolt Kit
9	67847	2	Stand Shoe Kit (incl. item 10)	23	49033	2	1/4 Grade 43 Chain Assembly
10	67635	2	1/4 x 2 Roll Pin BP	24		4	1/4 x 1-1/2 Cotter Pin
11	67844	2	Stand Lock Pin Kit	25		4	1 x 4-3/4 Clevis Pin
12	43302	1	Light Channel	26	61246	1	Cable Boot
13	43304	1	Lift Arm Kit				
Item 1† 44546-2 T-Frame Service Kit							
		1	T-Frame	4		4	3/4-10 Hex Locknut GB
	44028	1	Pivot Pin (shown w/blade components)	27		4	3/8-16 Hex Locknut GB
	3	4	3/4-10 x 2-1/8 Carriage Bolt	28	90453	2	3/8-16 x 1-1/2 U-Bolt G5
Item 5 78780 Lift Frame Kit							
		1	Lift Frame	30	43358	2	Label – Logo, UltraMount® 2
	29†	69689	Label – Logo, SECURITY GUARD™	31		2	UHMW Round Flat Washer, Special
Item 13 43304 Lift Arm Kit							
	14	68740	3/4 x 3-1/2 Clevis Pin Kit	31		2	UHMW Round Flat Washer, Special
	15	43351	3/4 x 2 Pin Kit	32		1	Lift Arm
Item 14 68740 3/4 x 3-1/2 Clevis Pin Kit							
		1	3/4 x 3-1/2 Clevis Pin	33	91911K	1	5/32 x 1-1/2 Cotter Pin Kit (pkg of 4)
	16	1	3/4 Flat Washer				
Item 15 43351 3/4 x 2 Pin Kit							
		1	3/4 x 2 Clevis Pin	33	91911K	1	5/32 x 1-1/2 Cotter Pin Kit (pkg of 4)
	16	1	3/4 Flat Washer				
Item 17 76722 Receiver Kit – DS							
		1	Receiver – DS	35	91965K-1	1	5/32 Hairpin Cotter
	34	42498	Receiver Pin				
Item 18 76718 Receiver Kit – PS							
		1	Receiver – PS	35	91965K-1	1	5/32 Hairpin Cotter
	34	42498	Receiver Pin				
Item 21 67842-1 Pivot Bar Kit							
		1	Pivot Bar	22	67855	1	Pivot Bolt Kit
Item 22 67855 Pivot Bolt Kit							
		1	1-8 x 7 Hex Cap Screw G5	37	91340	1	1-8 Hex Locknut GB
	36	67748	1-8 Hex Jam Nut G5				
Item 23 49033 1/4 Grade 43 Chain Assembly (2 per snowplow)							
		1	1/4 x 42 Grade 43 Chain	39	90453	1	3/8-16 x 1-1/2 U-Bolt G5
	38	2	3/8-16 Hex Locknut GB	ns		1	Plastic Tube
ns = not shown				G = Grade			

† Not used for central hydraulics.

‡ Four 3/4-10 x 2-1/2 hex cap screws are required when pairing T-frame (PN 44546-2) with a pushbeam that has round holes instead of square holes.

MVP PLUS™ CENTER ASSEMBLY 75300-1

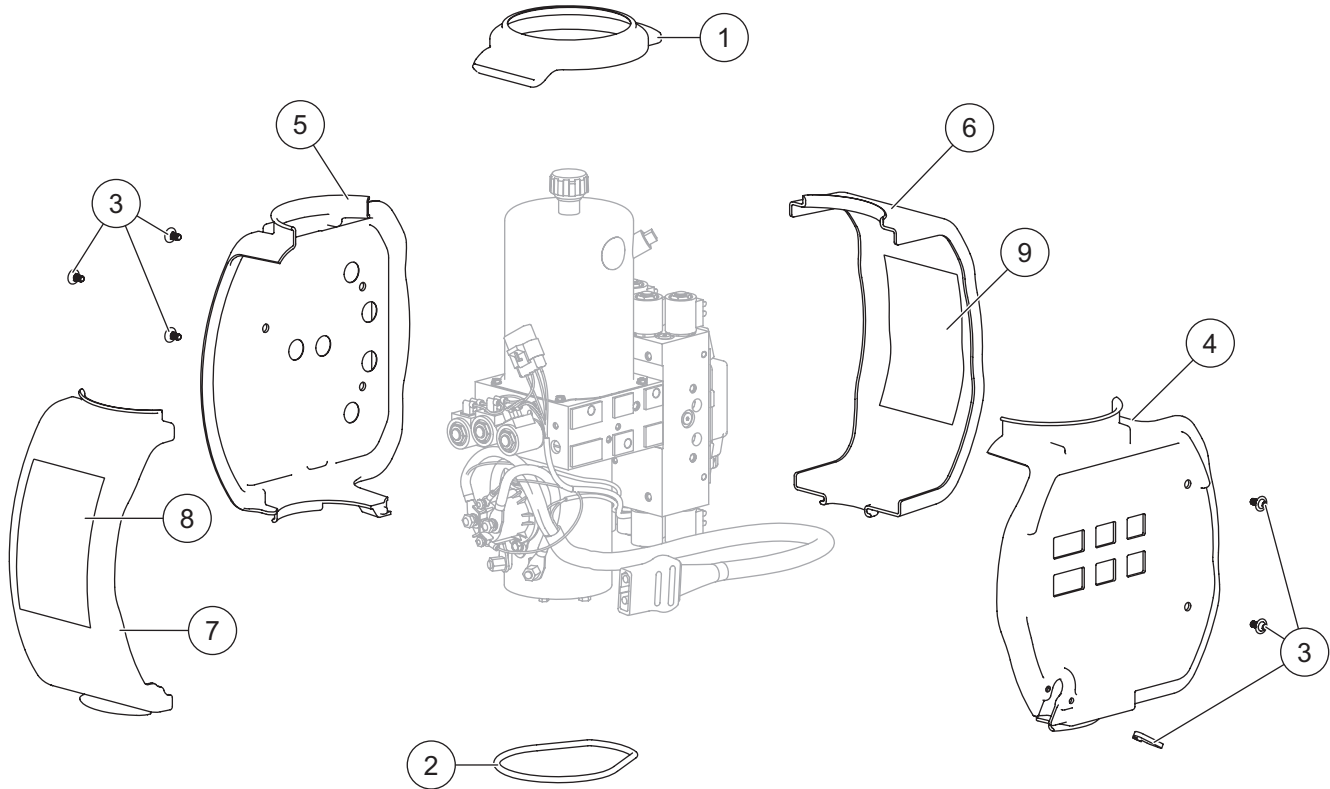
44320 Hydraulic Unit MVP PLUS							
48257* Hydraulic Unit Service Kit MVP PLUS							
(not used for central hydraulics)							
Item	Part	Qty	Description	Item	Part	Qty	Description
1	21727-2K	1	Breather Pressure Control	17	44369	4	Valve Lock Ring w/Screw
2	44327-3	1	Reservoir Kit	18		4	#8-18 x 3/8 Tapping Screw
3		4	#10-24 x 5/16 Machine Screw	19	48517	1	Quill Assembly 1/2-20 Thread
4	92079	1	Plug, Square 3/8 NPTF	20	44344	1	Plug, Hex Socket –4 M ORB
5	66519	1	O-Ring 2-250	21	49138K-5	1-1/2	Relief Valve Kit (2 sets)
6	73897	1	Magnet	22	44338	2	Relief Valve Kit (2 sets)
7		5	5/16-18 x 2-1/2 Hex Cap Screw G5	23	44334-1	4	Check Valve CV08-20
8	44328-2	1	Pump Kit	24	92960	4	Plug, Hex Socket –3 M ORB
9	56789-5	1	Suction Filter	25	29077	3	O-Ring -110
10	56274	1	O-Ring -013	26	29081	5	1/4-20 x 3 Socket Cap Screw
11	66515	1	Pump Shaft Seal	ns	29099	2	1/4-20 x 1/4 Hex Washer-Head Thread-Rolling Screw
12	21500-1	1	Motor Assembly, 4-1/2	ns	44326	1	1/4-20 x 1/2 6-Lobe Round Washer-Head Screw (pkg of 5)
13	49230K-2	11	Coil w/Spade Terminals	ns	44355	2	1/4-20 x 5/8 Hex Washer-Head Thread-Rolling Screw
14	44332	5	Valve SVCV08-20 w/Nut				
15	49227K-2	4	Valve SV08-2004 w/Nut				
16	44336	2	Valve SF08-2015 w/Nut				
O-Ring Service Kits							
–	56657-6**	–	Back-Up/O-Ring Kit	–	49259-2	–	Seal Kit – Valves SV08-30, -31, -33, -40, -43, and SVCV08-20
–	49258-2	–	Seal Kit – Valves SV08-2004, CV08-20, SF08-2015				
ns = not shown			M = Male			G = Grade	

* Includes 44320 hydraulic unit, 44325 cover assembly (page 10), and plow-side electrical components (page 12).

** Does not contain O-rings for cartridge valves.

MVP PLUS™ CENTER ASSEMBLY 75300-1

Hydraulic Unit Cover Assembly

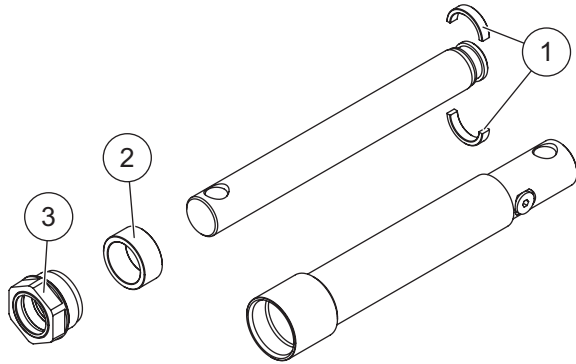


44325 Hydraulic Cover Assembly							
Item	Part	Qty	Description	Item	Part	Qty	Description
1	44352	1	Top Retainer Ring	6	44303	1	Cover, Side 3
2	44366	1	Bottom Retainer Ring	7	44304	1	Cover, Side 4
3	44326	1	1/4-20 x 1/2 6-Lobe Round Washer-Head Screw (pkg of 5) w/8" Cable Tie	8	44310	1	Label – Information (S1–S3)
4		1	Cover, Side 1	9	44319	1	Label – Information (S4–S11)
5		1	Cover, Side 2	ns	61536	1	Cable Tie 14"
				ns	44414	1	Label – Logo, MVP PLUS

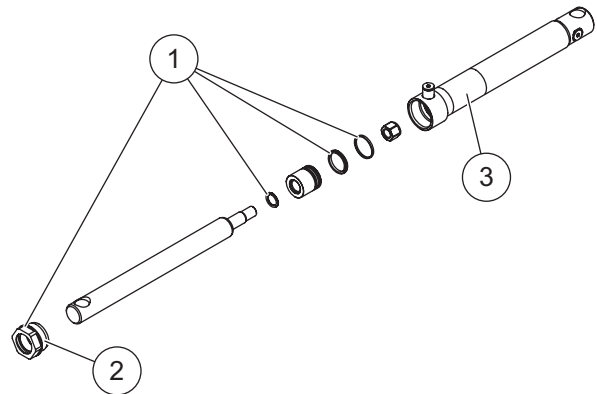
ns = not shown

MVP PLUS™ CENTER ASSEMBLY 75300-1/75310-1(CH)

Lift and Angle Ram Components



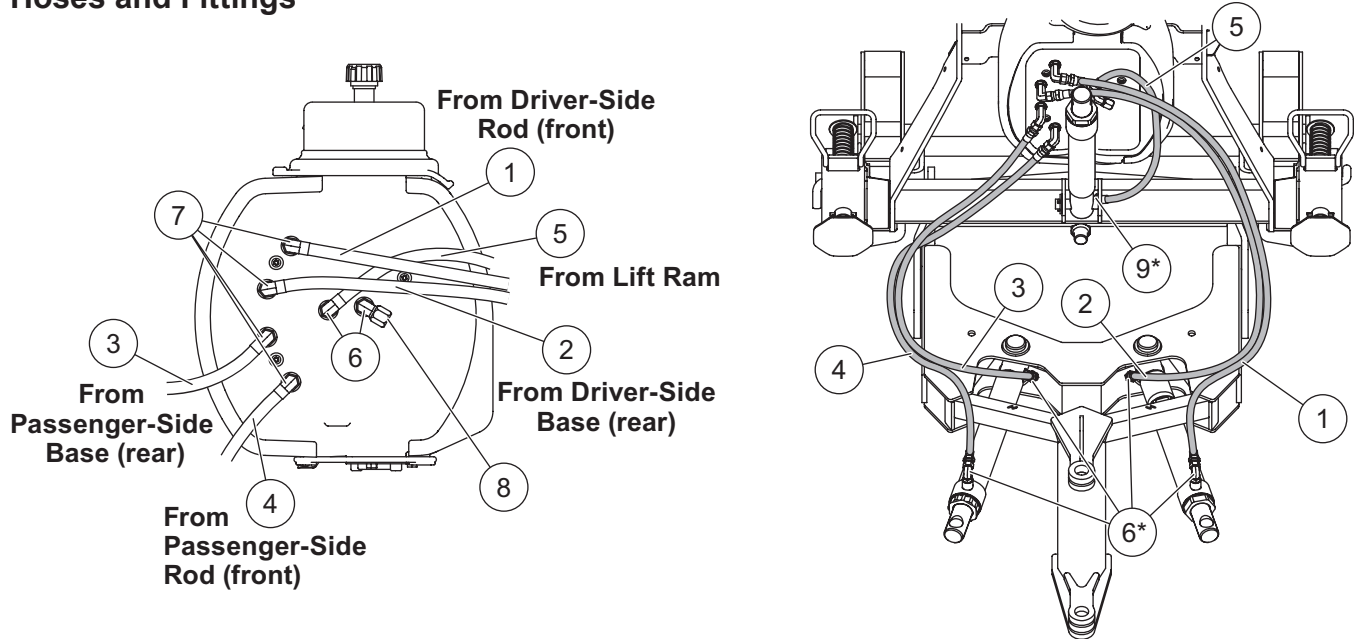
56538K Lift Ram Assembly 1-1/2 x 8			
Item	Part	Qty	Description
1	64650	1	Split Bearing Kit 1-1/2
2	56537	1	Spacer
3	48985	1	Gland Nut Assembly



44341 Angle Ram Assembly 1-3/4 x 11 DA			
Item	Part	Qty	Description
1	44342	1	Seal Kit 1-3/4 DA Ram
2	48985	1	Gland Nut Assembly
3	68675	1	Label – Logo, UltraLock Double-Acting Cylinder

MVP PLUS™ CENTER ASSEMBLY 75300-1/75310-1(CH)

Hoses and Fittings

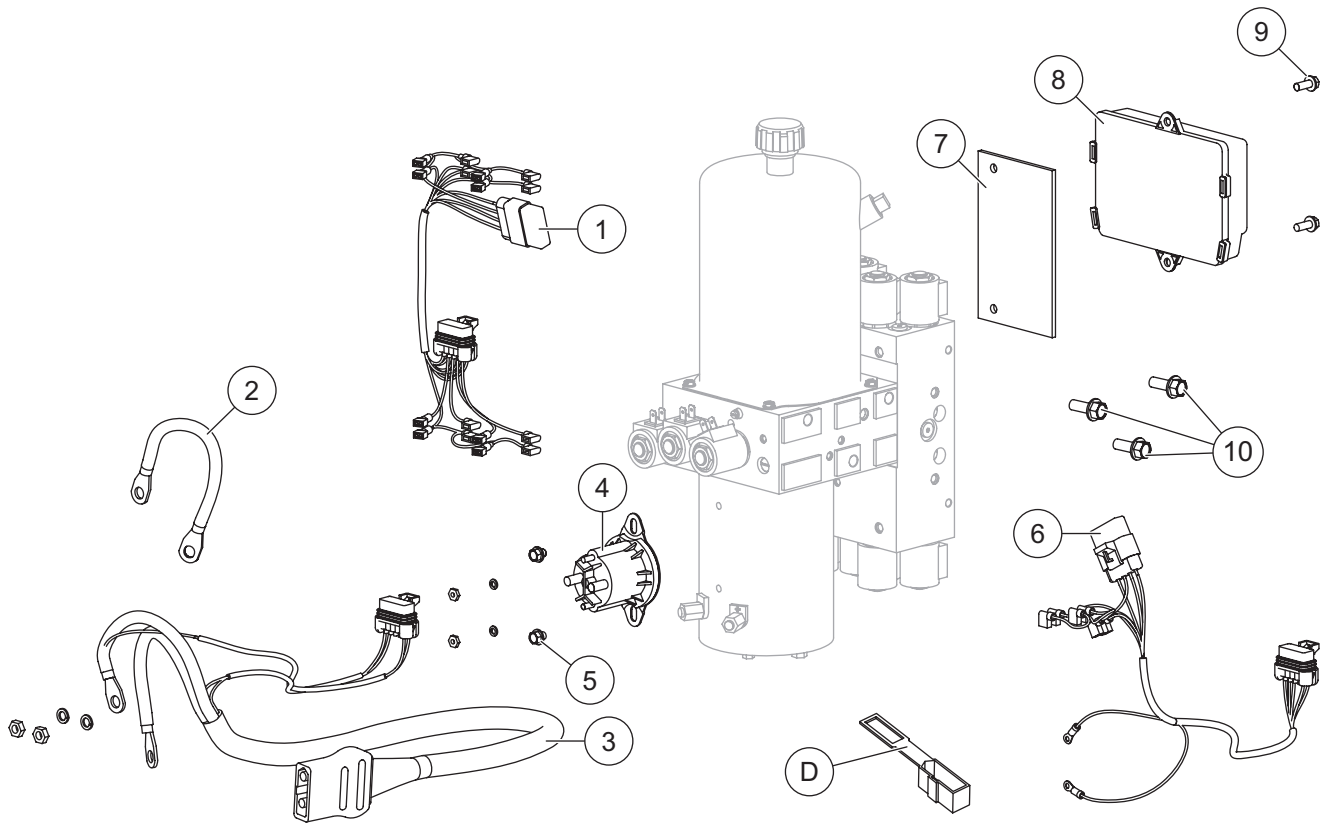


Hoses and Fittings						
Item	Part	Qty	Description	Item	Part	Qty Description
1	56616-1	1	Hose, 1/4 x 42 w/F JIC Ends	7	64212-1	4 Elbow, Extra Long 90° -6 M JIC/-6 M ORB
2	44350	1	Hose, 3/8 x 45 w/F JIC Ends	8	44346	1 Drain Cap -6 F JIC
3	44351	1	Hose, 3/8 x 38 w/F JIC Ends	9*	77929	1 Elbow, 90° -6 M JIC/-6 M ORB w/Screen
4	56599	1	Hose, 1/4 x 36 w/F JIC Ends	ns	56823	2 Hose Wrap, Polyethylene
5	56830	1	Hose, 1/4 x 22 w/F JIC Ends			
6*	56615-1	6	Elbow, 90° -6 M JIC/-6 M ORB			
			F = Female			ns = not shown
						M = Male

* Also used for central hydraulics.

MVP PLUS™ CENTER ASSEMBLY 75300-1/75310-1(CH)

Electrical Components



Plow-Side Electrical Components

Item	Part	Qty	Description	Item	Part	Qty	Description
1	28583	1	Harness Plow Control, 8-Solenoid	7	44308	1	Spacer Module
2	29071	1	Cable Assembly 8"	8	44354-3	1	Plow Module
3	42015	1	Snowplow Battery Cable	9	44355	2	1/4-20 x 5/8 Hex Washer-Head Thread-Rolling Screw
4	42902	1	Motor Relay Kit FLEET FLEX System	10	72384-1	1	3/8-16 x 1 Serrated Flange Hex Cap Screw (pkg of 3)
5	29099	2	1/4-20 x 1/4 Hex Washer-Head Thread-Rolling Screw	ns	56099	1	Dielectric Grease
6	28581-1	1	Harness Plow Control, 3-Solenoid				

ns = not shown

Vehicle-Side Electrical Components (diagrams on following pages)

A†	28587	1	Vehicle Control Harness	D	61548K	1	Plug Cover Kit (shown with plow-side electrical components)
B††	72527	1	Vehicle Battery Cable	E	29998	1	Fuse Cover (pkg of 5)
C**	26498	1	Vehicle Control Harness – Central Hydraulics				

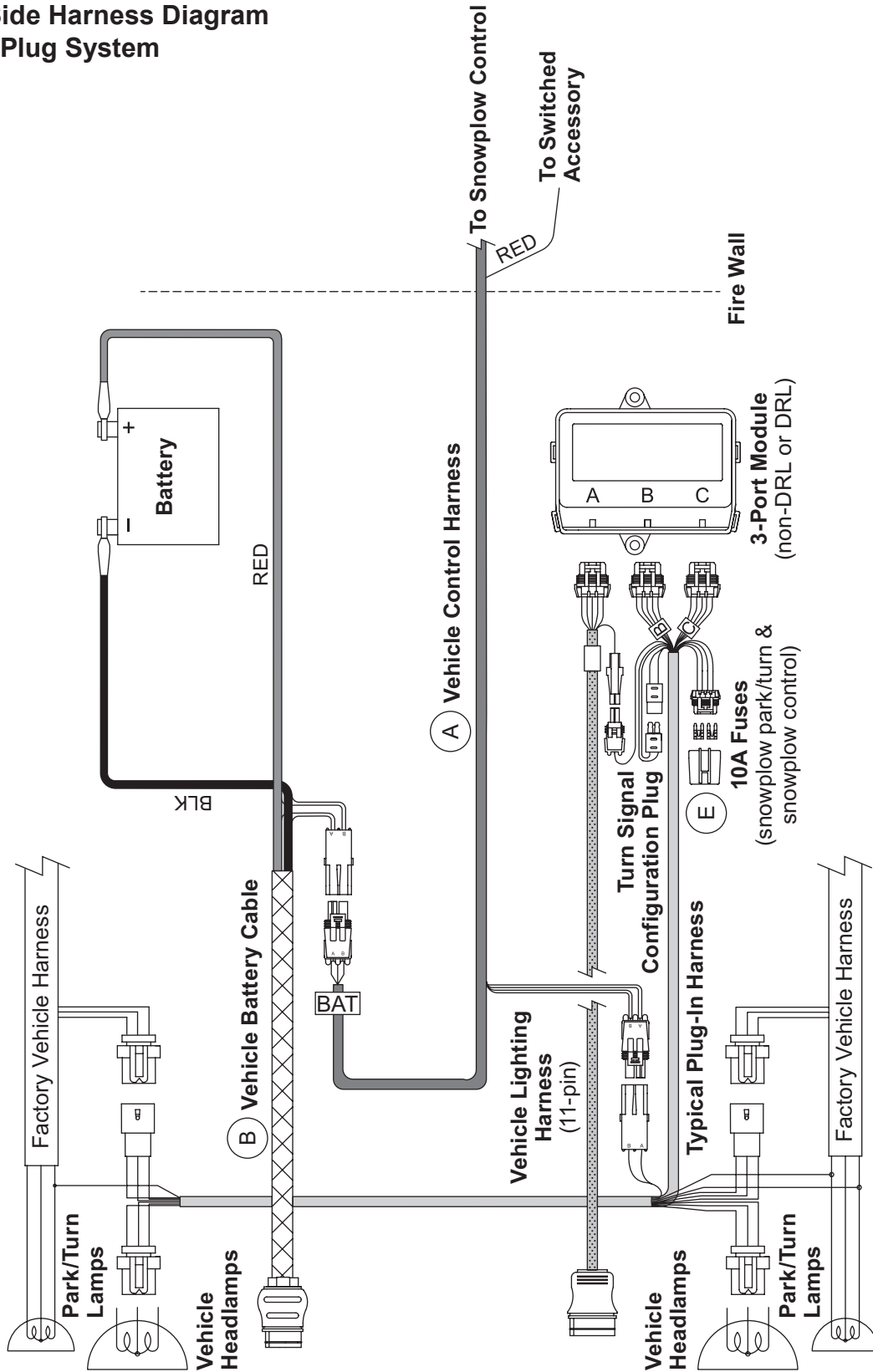
* For diagram, see Vehicle-Side Harness Diagram – 3-Port, 2-Plug System.

** For diagram, see Vehicle-Side Harness Diagram – Central Hydraulics.

† Not used for central hydraulics.

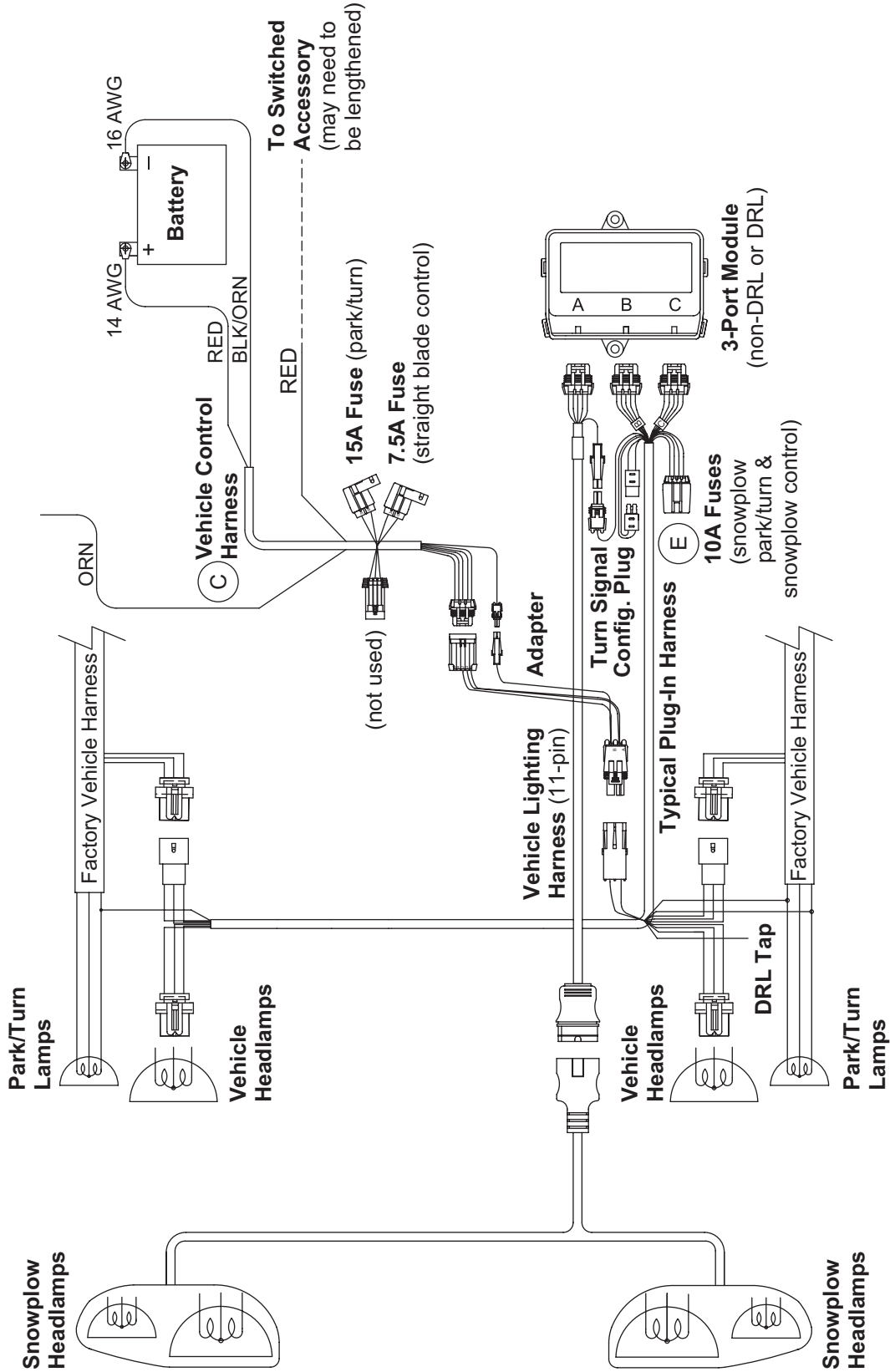
MVP PLUS™ CENTER ASSEMBLY 75300-1

Vehicle-Side Harness Diagram 3-Port, 2-Plug System



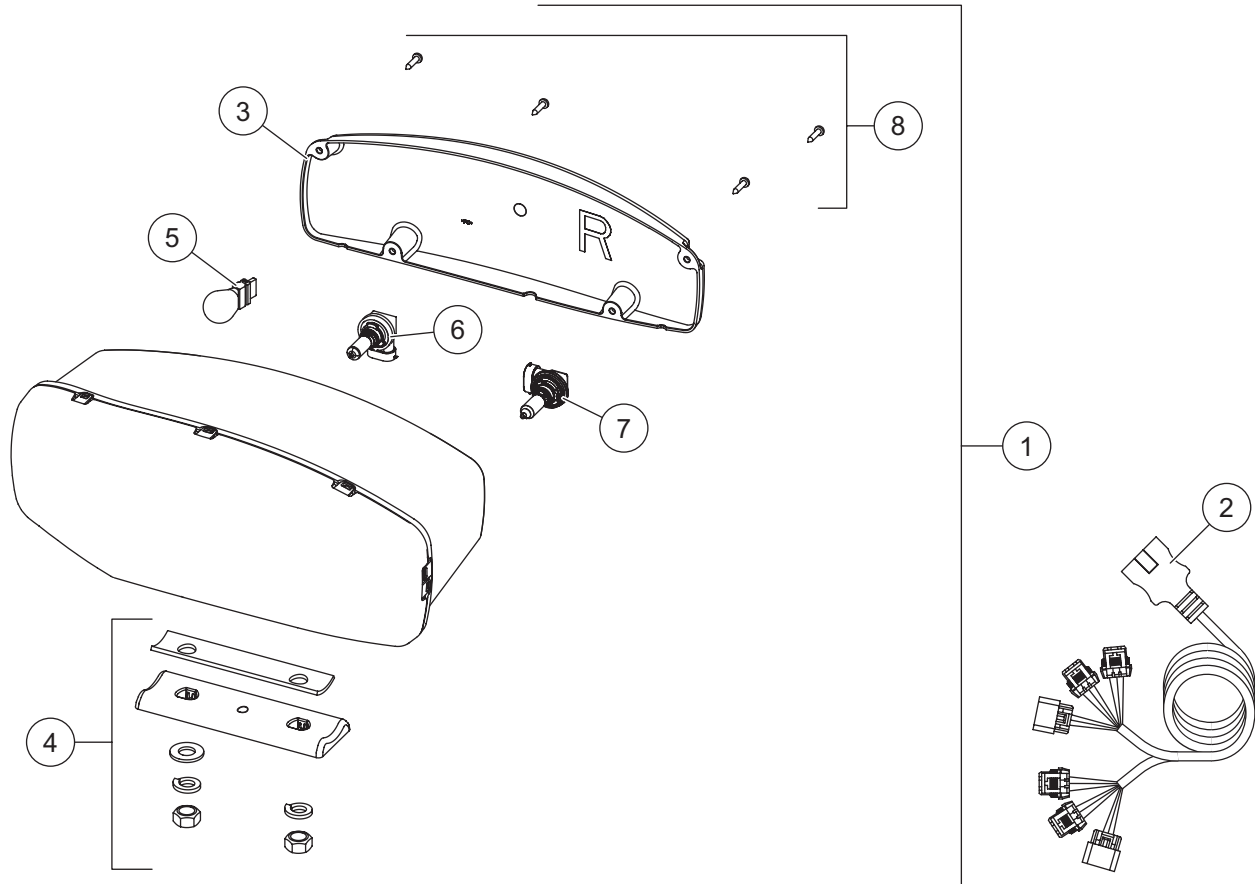
MVP PLUS™ CENTER ASSEMBLY 75310-1(CH)

Vehicle-Side Harness Diagram – Central Hydraulics



MVP PLUS™ CENTER ASSEMBLY 75300-1/75310-1(CH)

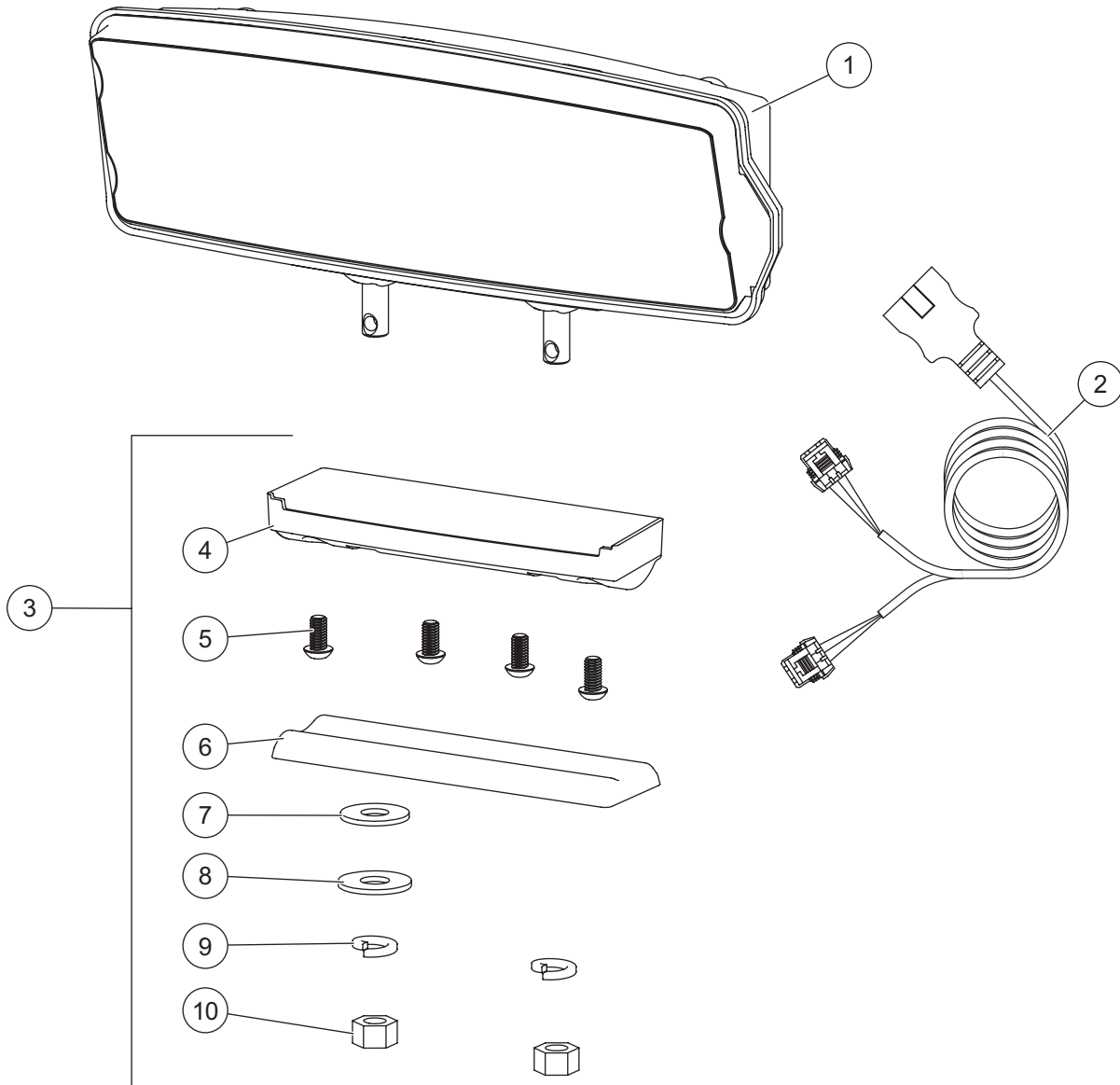
Headlamp Kit – Halogen



38800 Headlamp Kit H9/H11 (pair)							
Item	Part	Qty	Description	Item	Part	Qty	Description
1	38802	1	Headlamp Service Kit H9/H11 – PS	2	38807	1	Harness Service Kit H9/H11
ns	38801	1	Headlamp Service Kit H9/H11 – DS				
Item 1	38801/38802 Headlamp Service Kit H9/H11 – PS/DS						
3	38803	1	Rear Cover Kit H9/H11 – PS	6	38811	1	Headlamp Bulb Service Kit H11
ns	38812	1	Rear Cover Kit H9/H11 – DS	7	38809	1	Headlamp Bulb Service Kit H9
4	38804	1	Mounting Hardware Kit H9/H11	8	38808	1	Cover Screws Service Kit H9/H11 (pkg of 4)
5		1	Park/Turn Bulb (trade no. 4157NAK)				
ns = not shown							

MVP PLUS™ CENTER ASSEMBLY 75300-1/75310-1(CH)

Headlamp Kit – LED



Headlamp Kit LED							
Item	Part	Qty	Description	Item	Part	Qty	Description
1	39901	1	Headlamp Service Kit LED – DS	3	39903	1	Mounting Hardware Kit LED
ns	39902	1	Headlamp Service Kit LED – PS	ns	72512	1	LED Harness Connector Cover (pkg of 2)
2	72548	1	Harness Service Kit LED	Item 3 39903 Mounting Hardware Kit LED			
4		1	Plastic Casing	8		1	1/2 Flat Washer
5		4	1/4 Button Cap Screw	9		2	1/2 Lock Washer
6		1	Headlamp Swivel	10		2	1/2 Hex Nut
7		1	1/2 Rubber Washer	ns		1	Metal Insert

ns = not shown



Western Products
PO Box 245038
Milwaukee, WI 53224-9538
www.westernplows.com

 A DIVISION OF DOUGLAS DYNAMICS, LLC

Copyright © 2026 Douglas Dynamics, LLC. All rights reserved. This material may not be used, reproduced, or copied in any manner, in whole or in part, in any printed, mechanical, electronic, film, or other distribution and storage media, nor analyzed or manipulated in any manner for the purpose of training artificial intelligence technologies or systems, without the written consent of Western Products. In accordance with Article 4(3) of the Digital Single Market Directive 2019/790, Western Products expressly reserves this work from the text and data mining exception. Authorization to photocopy items for internal or personal use by Western Products outlets or equipment owner is granted.

Western Products reserves the right under its product improvement policy to change construction or design details and furnish equipment when so altered without reference to illustrations or specifications used. Western Products or the vehicle manufacturer may require or recommend optional equipment for snow removal. Do not exceed vehicle ratings with a snowplow. Western Products offers a limited warranty for all equipment and accessories. See separately printed page for this important information. The following are registered (®) or unregistered (™) trademarks of Douglas Dynamics, LLC: CONTRACTOR GRADE®, MVP PLUS™, SECURITY GUARD™, ULTRAFINISH™, UltraMount® 2, WESTERN®.

Printed in U.S.A.