



Fisher Engineering

96050-1

50 Gordon Drive, Rockland, Maine 04841-2139 • www.fisherplows.com

March 1, 2013
Lit. No. 96252, Rev. 03

Hopper and Drive Components

Model 2500

Low-Profile Tailgate Spreader

Parts List

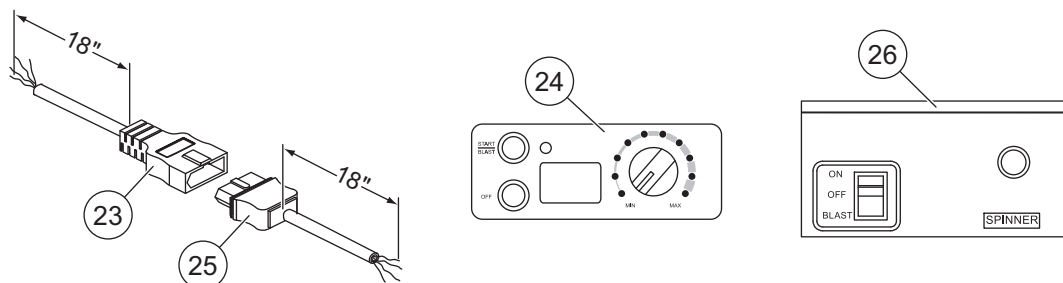
This Parts List is for FISHER® Model 2500 Low-Profile Tailgate Spreaders with serial numbers beginning with 101208–110331.

A DIVISION OF FISHER, LLC

MODEL 2500 LOW-PROFILE TAILGATE SPREADER

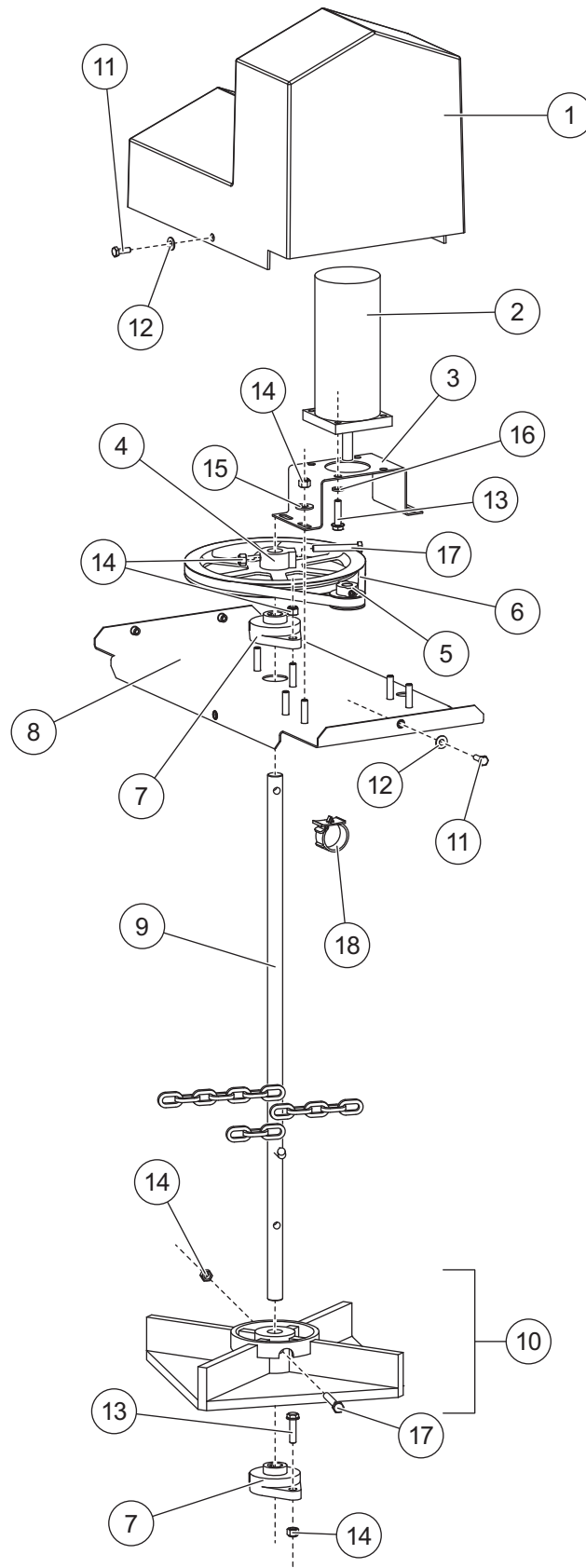
| Hopper Components | | | | | | | |
|--|-------|----------------------|--------------------------------------|-----------|---------|--------------------|---|
| Item | Part | Qty | Description | Item | Part | Qty | Description |
| 1 | 96059 | 1 | Hopper Lid (No Hardware) | 12 | 48859 | 2 | Control Knob Kit |
| ns | 96142 | 1 | Lid Kit (Includes Straps & Hardware) | 13 | 94534 | 2 | Nylon Strap Kit |
| 2 | 96143 | 1 | Hopper Assembly, Yellow | 14 | P3045 | 2 | Lid Latch Kit |
| 3 | 48854 | 1 | Bottom Plate Model 2500 | 15 | 96166 | 12 | 5/16-18 x 1-1/4 Flange Hex Cap Screw SS |
| 4 | 48855 | 2 | Gate | 16 | 91350 | 12 | 5/16-18 Hex Locknut GB SS |
| 5 | 48856 | 2 | Control Strap Poly | 17 | 90980 | 12 | 5/16 Flat Washer Narrow SS |
| 6 | 48861 | 2 | Lanyard w/Safety Pin | 18 | 95318-1 | 1 | Hitch Insert w/Hardware |
| 7 | 48872 | 2 | Deflector Pin Kit | 19 | 48852 | 1 | Receiver Clamp Kit |
| 8 | 96053 | 1 | Spreader Frame | 20 | 48857 | 2 | Weldnut Strap |
| 9 | 94426 | 2 | Label, Information – Receiver Hitch | 21 | 68789 | 2 | Ratchet Strap Assy |
| 10 | 68584 | 2 | Label, Information (Warning) | ns | 76068 | 1 | Label, "UP" Tailgate Spreader Hitch |
| 11 | 96140 | 1 | Label, Identity Model 2500 | ns† | 48797 | 1 | Top Screen Bag Splitter Kit |
| Item 7 48872 Deflector Pin Kit | | | | | | | |
| | | 1 | Deflector Pin | | | 1 | 5/16-18 x 1-1/4 Flange Hex Cap Screw SS |
| | | 2 | 5/16 Flat Washer Narrow SS | | | 1 | 5/16-18 Hex Locknut GB SS |
| Item 18 95318-1 Hitch Insert w/Hardware | | | | | | | |
| | | 1 | Hitch Insert | | | 3 | 1/2" Lock Washer Spring SS |
| | | 3 | 1/2-13 x 4-1/2 Hex Cap Screw G5 | | | 3 | 1/2-13 Hex Nut SS |
| | | 6 | 1/2" Flat Washer Wide SS | | | | |
| Item 19 48852 Receiver Clamp Kit | | | | | | | |
| | | 1 | Clamp Plate | | | 2 | 1/2" Lock Washer Spring SS |
| | | 1 | 1/2-13 U-Bolt SS | | | 1 | 1/2-13 Hex Nut SS |
| | | 2 | 1/2" Flat Washer Wide SS | 22 | 96263 | 1 | 1/2-13 Nut Handle |
| ns = not shown | | SS = Stainless Steel | | G = Grade | | † = Accessory Only | |

| Hopper Electrical Components | | | | | | | |
|------------------------------|-------|-----|---|------|-------|-----|--|
| Item | Part | Qty | Description | Item | Part | Qty | Description |
| ns | 63634 | 1 | Harness, Spreader – 4-Pin | ns | 63633 | 1 | Harness, Vehicle – 4-Pin |
| 23 | 63693 | 1 | Harness, Spreader End Kit (use w/3- or 4-Pin Connectors) | 25 | 63692 | 1 | Harness, Vehicle End Kit (use w/3- or 4-Pin Connectors) |
| 24 | 28867 | 1 | Variable Speed (PWM) Control | 26 | 9390 | 1 | ON/OFF Control |
| ns = not shown | | | | | | | |



MODEL 2500 LOW-PROFILE TAILGATE SPREADER

DRIVE COMPONENTS



MODEL 2500 LOW-PROFILE TAILGATE SPREADER

| Drive Components | | | | | | | |
|----------------------|-------|-----|---------------------------|-----------|-------|-----|---|
| Item | Part | Qty | Description | Item | Part | Qty | Description |
| 1 | 96099 | 1 | Motor Cover | 10 | 94595 | 1 | Spinner, Poly – Service Kit |
| 2 | 9524 | 1 | 12V DC Motor | 11 | 90381 | 5 | 1/4-20 x 3/4 Hex Cap Screw SS |
| 3 | 96097 | 1 | Motor Pedestal | 12 | 91013 | 5 | 1/4 Flat Washer Narrow SS |
| 4 | 65406 | 1 | Pulley, 9 x 3/4 Bore | 13 | 96166 | 6 | 5/16-18 x 1-1/4 Flange Hex Cap Screw SS |
| 5 | 9514 | 1 | Pulley, 1-1/2 x 1/2 Bore | 14 | 91350 | 10 | 5/16-18 Hex Locknut GB |
| 6 | 65767 | 1 | V-Belt 4L330 Molded Cog | 15 | 90980 | 12 | 5/16 Flat Washer Narrow SS |
| 7 | 96167 | 2 | 3/4 2-Bolt Flange Bearing | 16 | 91276 | 4 | 5/16 Spring Lock Washer SS |
| 8 | 96169 | 1 | Motor Base Plate Service | 17 | 94495 | 2 | 5/16-18 x 2-1/4 Hex Cap Screw SS |
| 9 | 96080 | 1 | Spinner Shaft | 18 | 96216 | 1 | Push Mount Wire Clip |
| SS = Stainless Steel | | | | G = Grade | | | |

MODEL 2500 LOW-PROFILE TAILGATE SPREADER

Copyright © 2013 Douglas Dynamics, LLC. All rights reserved. This material may not be reproduced or copied, in whole or in part, in any printed, mechanical, electronic, film or other distribution and storage media, without the written consent of Fisher Engineering. Authorization to photocopy items for internal or personal use by Fisher Engineering outlets or spreader owner is granted.

Fisher Engineering reserves the right under its product improvement policy to change construction or design details and furnish equipment when so altered without reference to illustrations or specifications used. Fisher Engineering or the vehicle manufacturer may require or recommend optional equipment for spreaders. Do not exceed vehicle ratings with a spreader. Fisher Engineering offers a limited warranty for all spreaders and accessories. See separately printed page for this important information. The following is a registered (®) trademark of Douglas Dynamics, LLC: FISHER®.

Printed in U.S.A.
