



FLEETFLEX
ELECTRICAL SYSTEM

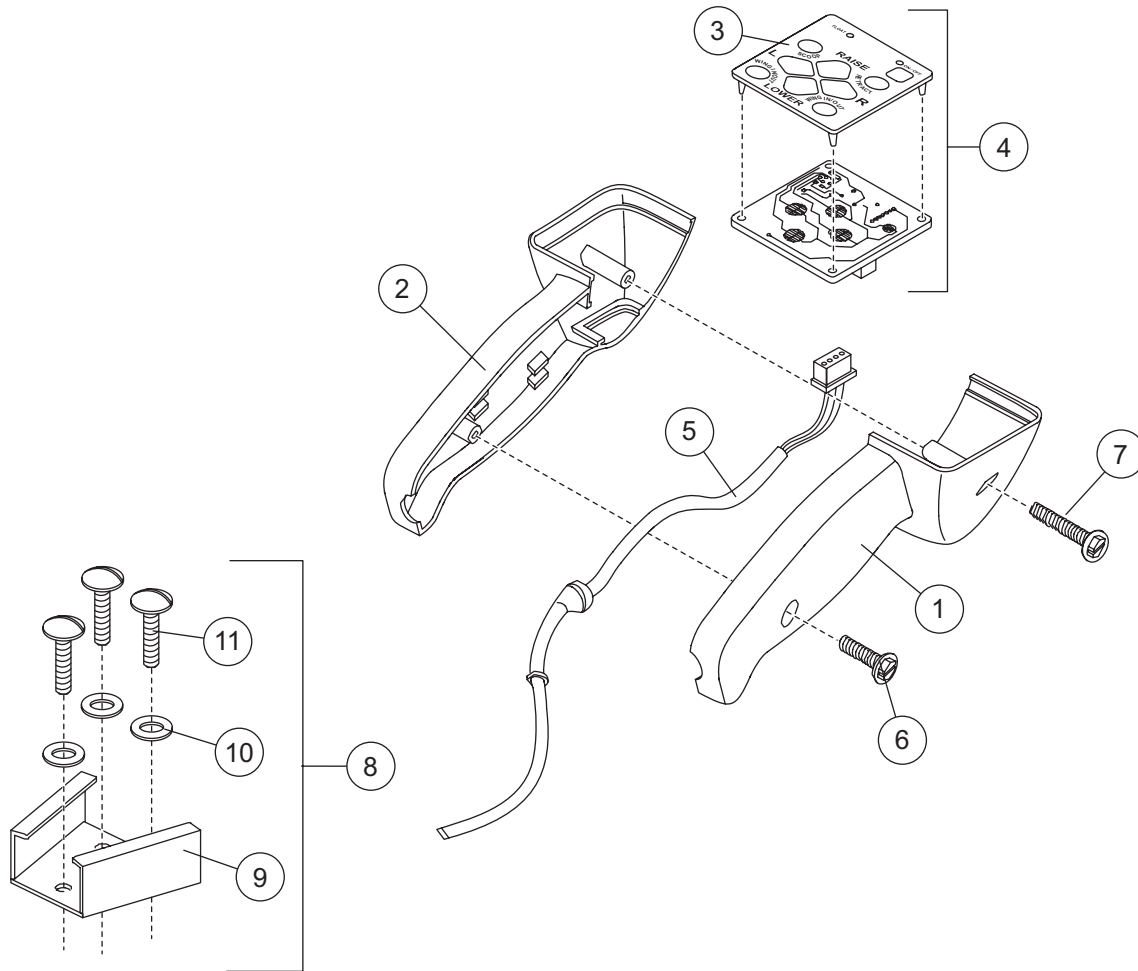
Western Products
PO Box 245038
Milwaukee, WI 53224-9538
www.westernplows.com

A DIVISION OF DOUGLAS DYNAMICS, LLC

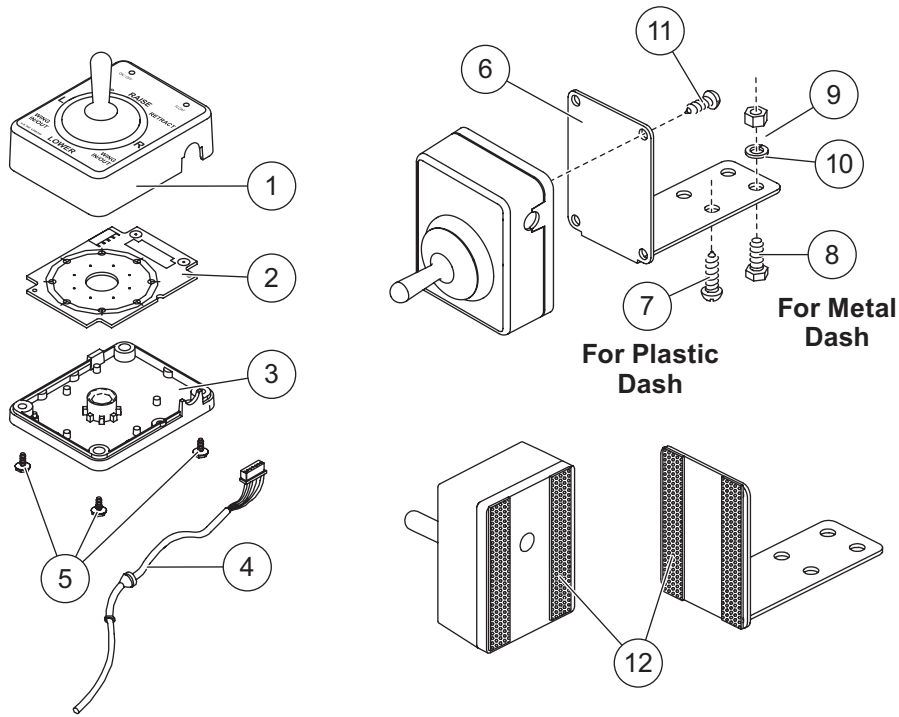
**96400, 96500 – CabCommand
HAND-HELD CONTROL and
JOYSTICK CONTROL**

Parts List

PARTS LIST



96500 CabCommand Hand-Held Control Kit							
Item	Part	Qty	Description	Item	Part	Qty	Description
1	96456	1	Control Body – Right	5	96464	1	Harness 9 - Button (4-Pin)
2	96457	1	Control Body – Left	6	93173	1	8-18 x 3/4 Tapping Screw
3	96461	1	Keypad– (9-Button) WP	7	93174	1	8-18 x 1-1/4 Tapping Screw
4	49472	1	PC Board & Keypad 9-Button (4-Pin)	8	64312	1	Parts Bag – Control Bracket
Item 8				64312 Parts Bag – Control Bracket			
9		1	Control Bracket	11		3	6-32 x 1 Tapping Screw
10		3	#6 Spring Lock Washer				



96400 Joystick Control Kit							
Item	Part	Qty	Description	Item	Part	Qty	Description
1	96368	1	Cover Assembly w/Actuator Spring and Label	4	96352	1	Harness (4-Pin)
2	96353	1	PC Board	5	96364	3	4 x 3/8 Tapping Screw
3	96366	1	Bottom Housing	ns	96363	1	Dash Bracket Parts Bag
ns 96363 Dash Bracket Parts Bag							
6	1	1	Control Bracket	10	2	2	1/4 Spring Lock Washer
7	4	4	12-14 x 3/4 Tapping Screw	11	2	2	8-18 x 5/8 Tapping Screw
8	2	2	1/4-20 x 3/4 Hex Cap Screw G5	12	49305K	1	PRO-GRIP Mounting Kit
9	2	2	1/4-20 Hex Nut G5				
ns = not shown				G = Grade			

Copyright © 2016 Douglas Dynamics, LLC. All rights reserved. This material may not be reproduced or copied, in whole or in part, in any printed, mechanical, electronic, film or other distribution and storage media, without the written consent of Western Products. Authorization to photocopy items for internal or personal use by Western Products outlets or snowplow owner is granted.

Western Products reserves the right under its product improvement policy to change construction or design details and furnish equipment when so altered without reference to illustrations or specifications used. Western Products or the vehicle manufacturer may require or recommend optional equipment for snow removal. Do not exceed vehicle ratings with a snowplow. Western Products offers a limited warranty for all snowplows and accessories. See separately printed page for this important information. The following are registered (®) or unregistered (™) trademarks of Douglas Dynamics, LLC: WESTERN®.

Printed in U.S.A.