

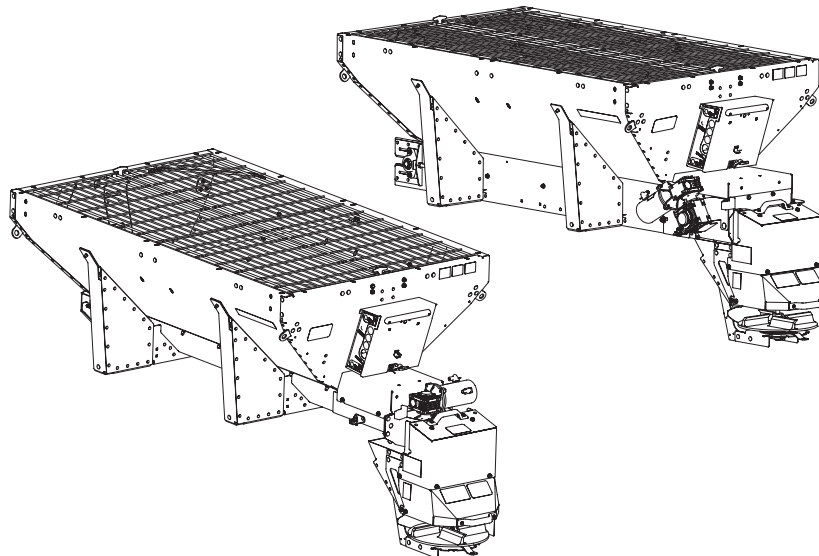


Renegade™ Stainless Steel Hopper Spreader

#S150A, S220A, S300A, S400A, S500A

S150C, S220C, S300C, S400C, S500C

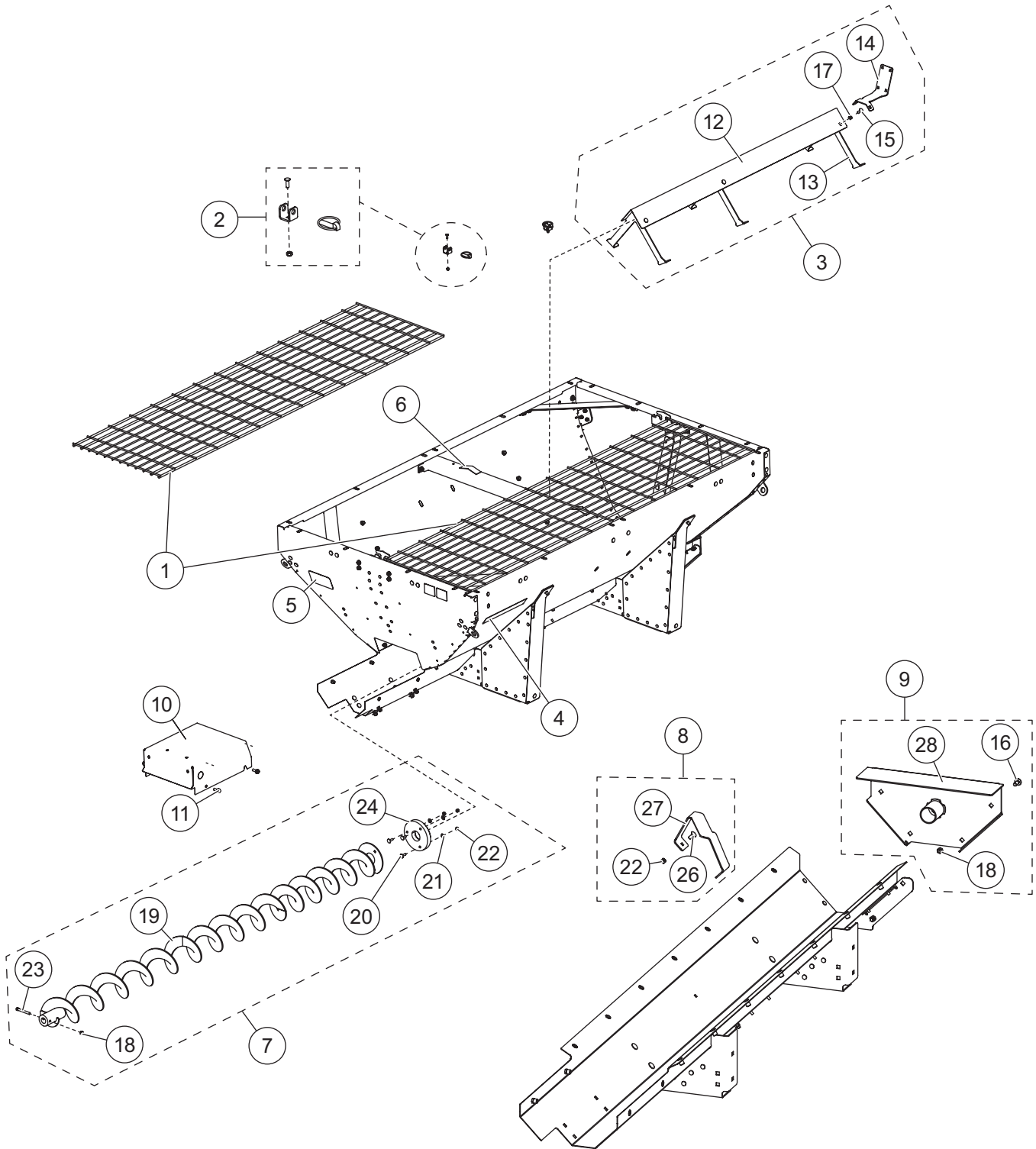
Parts List



This Parts List is for SnowEx® Renegade stainless steel hopper spreaders
with serial numbers beginning with 230301 and higher.

RENEGADE™ STAINLESS STEEL HOPPER SPREADERS

HOPPER ASSEMBLY



RENEGADE™ STAINLESS STEEL HOPPER SPREADERS

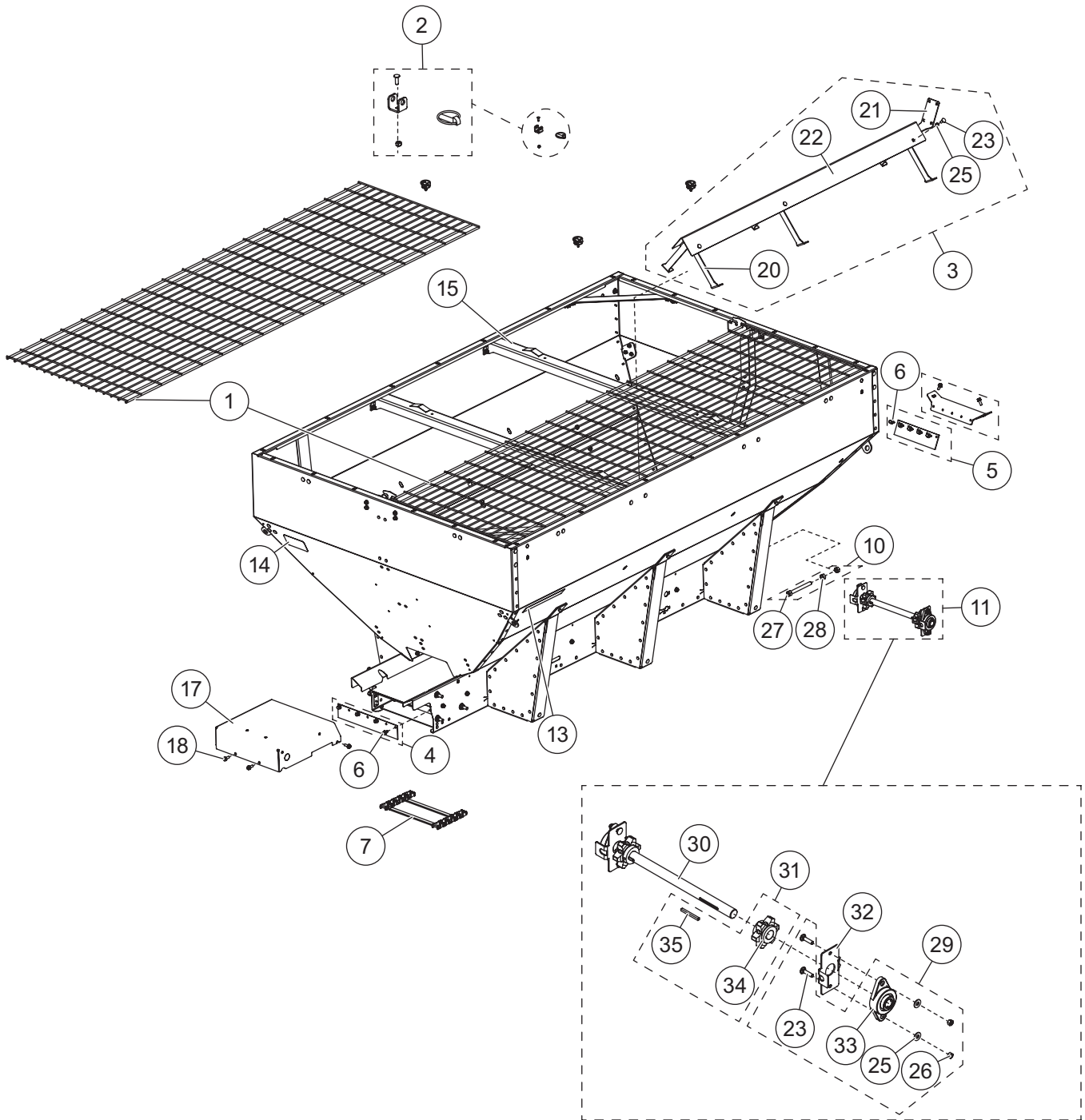
Hopper Assembly Components							
Item	Part	Qty	Description	Item	Part	Qty	Description
1	99515	2	Top Screen – S150	7	31849	1	Auger Kit, Short – S150A
ns	99516	2	Top Screen – S220	ns	31851	1	Auger Kit, Long – S220A/S300A/S400A/S500A
ns	80080	2	Top Screen – S300				
ns	99518	2	Top Screen – S400/S500	8	85422	2*	Auger Keeper Kit
2	99578	1	Screen Attachment Kit (set of 4)	9	31852	1	Cab-Side Trough Cap Kit
3	93990	1	Inverted V Kit – S150	10	31853	1	Extension Cover, Auger – S150A
ns	93995	1	Inverted V Kit – S220/S300/S400/S500	ns	31857	1	Extension Cover, Auger – S220A
				ns	31859	1	Extension Cover, Auger – S300A
4	31594EN	2	Label – Warning/Caution, Spreaders	ns	31900	1	Extension Cover, Auger – S400A/S500A
5	30916EN	1	Label – Warning Rotating Parts				
6	67272	4	Label – Caution, Do Not Lift	11	31983	1	Bolt Bag – Extension Cover
Item 3 93990 Inverted V Kit – S150							
12		1	Inverted V – Short	14		1	Bracket, Inverted V – S150
13		3	Inverted V Formed Leg	ns	31923	1	Bolt Bag – Inverted V
93995 Inverted V Kit – S220/S300/S400/S500							
13		3	Inverted V Formed Leg	ns		1	Bracket, Inverted V – S300
ns		1	Inverted V – Long	ns		1	Bracket, Inverted V – S400/S500
ns		1	Bracket, Inverted V – S220	ns	31923	1	Bolt Bag – Inverted V
31923 Bolt Bag – Inverted V							
15		4	3/8-16 x 1-1/2 Carriage Bolt SS	17		10	3/8 Flat Washer SS
16		6	3/8-16 x 1 Carriage Bolt SS	18		10	3/8-16 Hex Locknut SS
Item 7 31849 Auger Kit, Short – S150A							
18		1	3/8-16 Hex Locknut SS	22		3	5/16-18 Hex Locknut SS
19		1	82" Auger	23		1	3/8-16 x 3 Hex Cap Screw SS
20		3	5/16-18 x 1 Carriage Bolt SS	24	11888	1	Front Auger Bearing
21		3	5/16 Flat Washer SS				
31851 Auger Kit, Long – S220A/S300A/S400A/S500A							
18		1	3/8-16 Hex Locknut SS	23		1	3/8-16 x 3 Hex Cap Screw SS
20		3	5/16-18 x 1 Carriage Bolt SS	24	11888	1	Front Auger Bearing
21		3	5/16 Flat Washer SS	ns		1	90" Auger
22		3	5/16-18 Hex Locknut SS				
Item 8 85422 Auger Keeper Kit							
22		2	5/16-18 Hex Locknut SS	27		1	Auger Keeper
26		2	5/16-18 x 3/4 Carriage Bolt SS				
Item 9 31852 Cab-Side Trough Cap Kit							
16		5	3/8-16 x 1 Carriage Bolt SS	28		1	Cab-Side Trough Plate
18		5	3/8-16 Hex Locknut SS	ns		1	Auger Shaft Assembly
Item 11 31983 Bolt Bag – Extension Cover							
		4	3/8-16 x 1 Flanged Hex Cap Screw SS				
ns = not shown				SS = Stainless Steel			

* The S150A auger kit requires one auger keeper; S220A/S300A/S400A/S500A auger kit requires two auger keepers.

Labels – Renegade Hopper Spreaders					
Part	Qty	Description	Part	Qty	Description
30596	1	Label – Logo, SnowEx® Chute	31282	2	Label – Logo, Renegade S300A
30598	1	Label – Logo, HELIXX™	31281	2	Label – Logo, Renegade S300C
31278	2	Label – Logo, Renegade S150A	31284	2	Label – Logo, Renegade S400A
31277	2	Label – Logo, Renegade S150C	31285	2	Label – Logo, Renegade S400C
31280	2	Label – Logo, Renegade S220A	31286	2	Label – Logo, Renegade S500A
31279	2	Label – Logo, Renegade S220C	31287	2	Label – Logo, Renegade S500C

RENEGADE™ STAINLESS STEEL HOPPER SPREADERS

HOPPER ASSEMBLY

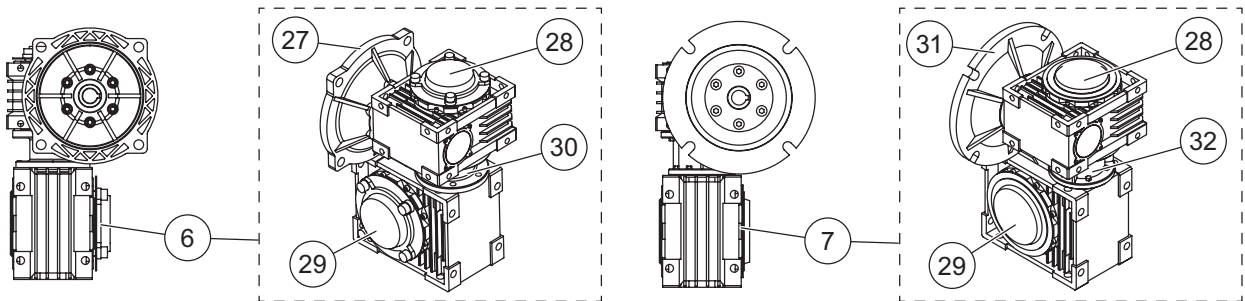
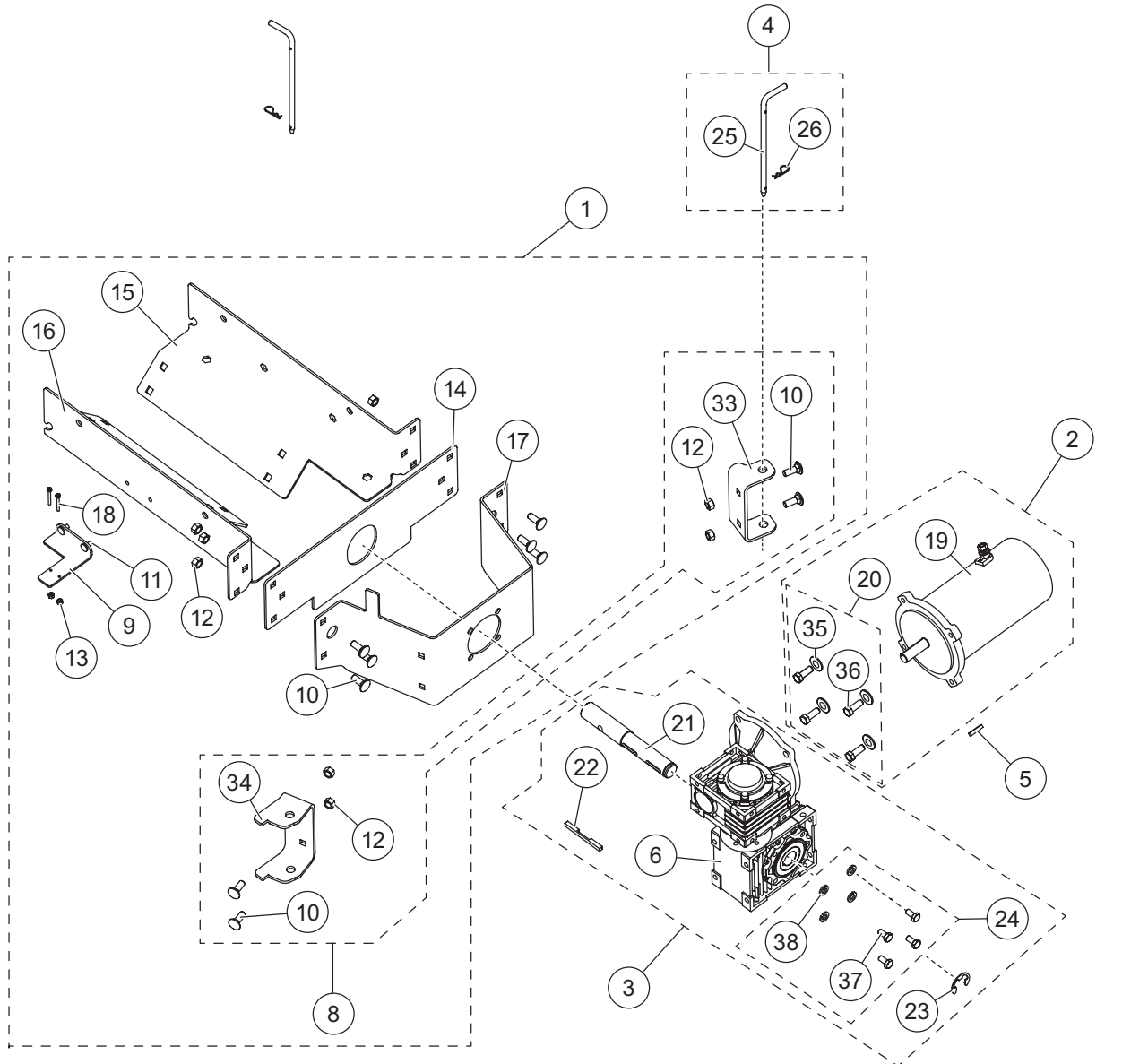


RENEGADE™ STAINLESS STEEL HOPPER SPREADERS

Hopper Assembly Components							
Item	Part	Qty	Description	Item	Part	Qty	Description
1	99515	2	Top Screen – S150	8	68492	1	Conveyor Repair Bar (w/Pins & Cotters)
ns	99516	2	Top Screen – S220	9	68475	1	Conveyor Repair Link (w/Pins & Cotters)
ns	80080	2	Top Screen – S300	10	99073	2	Tensioner Bolt Kit
ns	99518	2	Top Screen – S400/S500	11	99480	1	Idler Shaft Assembly Kit
2	99578	1	Screen Attachment Kit (set of 4)	12	94953	2	Spreader Bearing Kit
ns	93990	1	Inverted V Kit – S150	13	31594EN	2	Label – Warning/Caution, Spreaders
3	93995	1	Inverted V Kit – S220/S300/S400/S500	14	30916EN	1	Label – Warning Rotating Parts
4	78266	1	Wiper Replacement Kit	15	67272	4	Label – Caution, Do Not Lift
5	31848	1	Body Wiper Replacement Kit	16	31854	1	Extension Cover, Chain – S150C
6	99079	1	Rivet Kit, Wiper (pkg of 5)		31858	1	Extension Cover, Chain – S220C
ns	94898	1	Pintle Chain (108 links) – S150C		31875	1	Extension Cover, Chain – S300C
7	68474	1	Pintle Chain (123 links) – S220C/S300C/S400C/S500C	17	31922	1	Extension Cover, Chain – S400C/S500C
				18	31983	1	Bolt Bag – Extension Cover
93990 Inverted V Kit – S150							
19		1	Inverted V – Short	ns		1	Bracket, Inverted V – S150
20		3	Inverted V Formed Leg	ns	31923	1	Bolt Bag – Inverted V
Item 3 93995 Inverted V Kit – S220/S300/S400/S500							
20		3	Inverted V Formed Leg	ns		1	Bracket, Inverted V – S300
ns		1	Bracket, Inverted V – S400/S500	22		1	Inverted V – Long
21		1	Bracket, Inverted V – S220	ns	31923	1	Bolt Bag – Inverted V
31923 Bolt Bag – Inverted V							
23		4	3/8-16 x 1-1/2 Carriage Bolt SS	25		10	3/8 Flat Washer SS
24		6	3/8-16 x 1 Carriage Bolt SS	26		10	3/8-16 Hex Locknut SS
Item 10 99073 Tensioner Bolt Kit							
27		1	5/8-11 x 6 Take-Up Bolt	28		1	5/8-11 Hex Nut
Item 11 99480 Idler Shaft Assembly Kit							
29	94953	2	Spreader Bearing Kit	31	99479	2	6-Tooth Sprocket
30	94351	1	Idler Shaft	32	99765	2	Bearing Alignment Plate
Item 18 31983 Bolt Bag – Extension Cover							
		4	3/8-16 x 1 Flanged Hex Cap Screw SS				
Item 29 94953 Spreader Bearing Kit							
23		2	3/8-16 x 1-1/2 Carriage Bolt SS	26		2	3/8-16 Hex Locknut SS
25		2	3/8 Flat Washer SS	33	94536	1	2-Bolt Flanged Bearing, 1.125 ID
Item 31 99479 6-Tooth Sprocket							
34		1	Drive Sprocket 6T	35	95076	1	1/4 x 2-3/4 Machine Key
ns = not shown				SS = Stainless Steel			

RENEGADE™ STAINLESS STEEL HOPPER SPREADERS

POWERGROUP ASSEMBLY – AUGER DRIVE



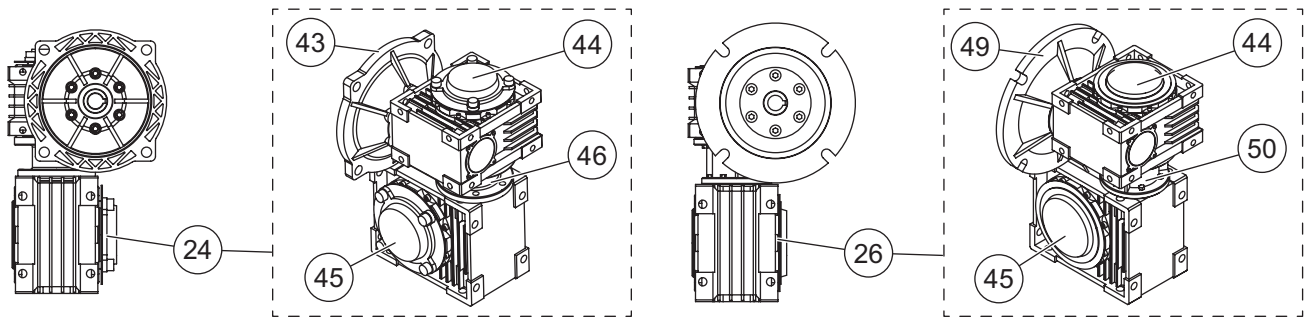
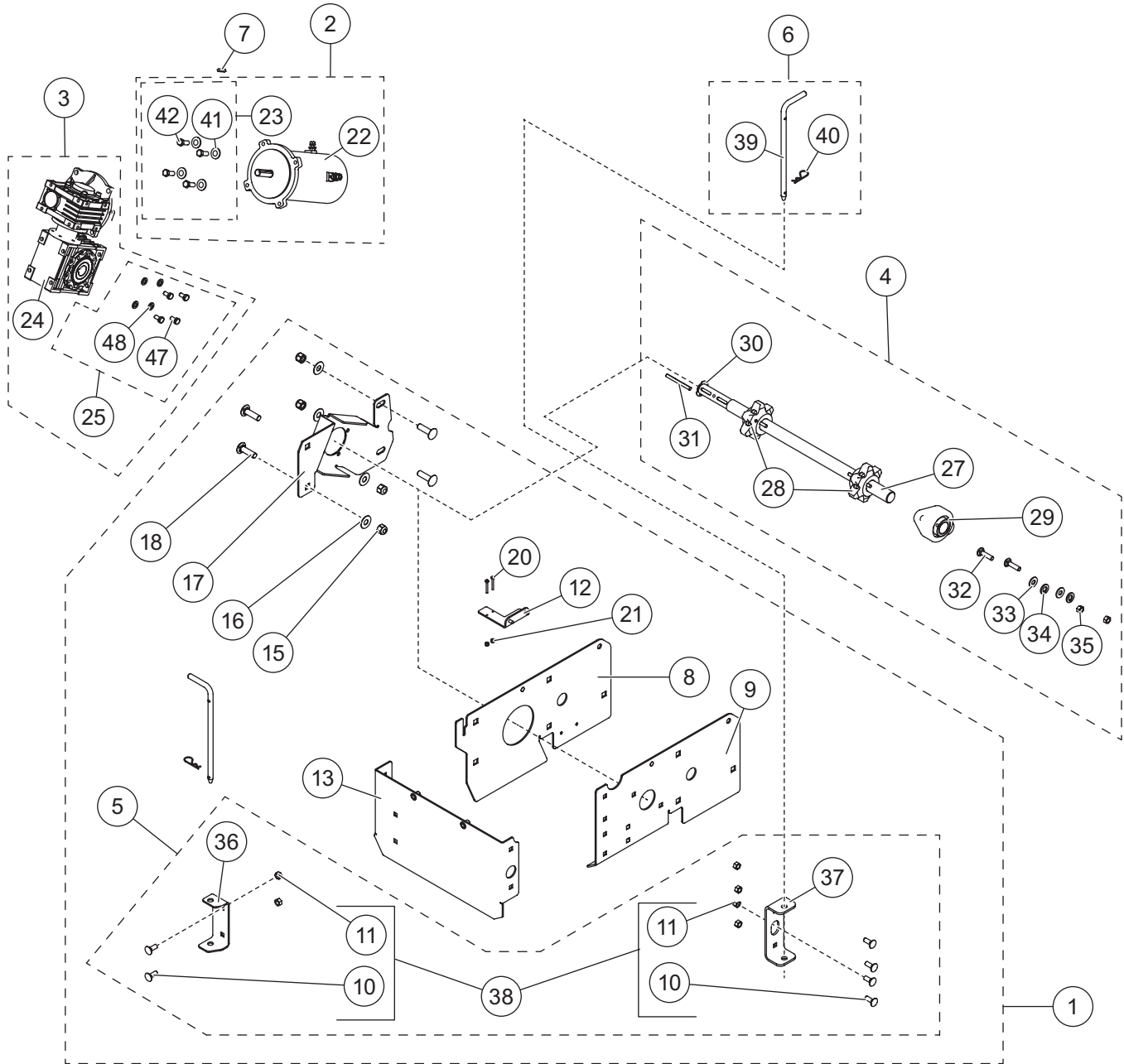
Gear boxes not to scale.

RENEGADE™ STAINLESS STEEL HOPPER SPREADERS

Auger Drive Assembly Components							
Item	Part	Qty	Description	Item	Part	Qty	Description
1	31929	1	Auger Powergroup – Mount Kit	5	65195	1	3/16 x 1 Machine Key
2	99085	1	Driveline Motor Kit	6	99067	1	Gear Box – Flange w/Holes
3	85431	1	Transmission Kit	7	31098	1	Gear Box – Flange w/Slots
4	78031	1	Chute Attachment Pin Kit				
Item 1 31929 Auger Powergroup – Mount Kit							
8	31930	1	Chute Attachment Kit – Auger	15		1	Powergroup Support – PS
9		1	Harness Bracket	16		1	Powergroup Support – DS
10		18	3/8-16 x 1 Carriage Bolt SS	ns	69916	1	8-Pin Cable Boot
11		2	1/4 Rivet SS	17		1	Auger Mount
12		18	3/8-16 Hex Locknut	18		2	#6-32 x 1-1/4 Hex Cap Screw SS
13		2	#6-32 Hex Locknut SS	ns		2	Motor Terminal Cover
14		1	Auger Mounting Plate	ns		4	3/8-16 x 1 Flanged Hex Cap Screw SS
Item 2 99085 Driveline Motor Kit							
19	D6825-1	1	Motor 1/2 HP, NEMA 56C	20	99086	1	Bolt Bag – Driveline Motor
Item 3 85431 Transmission Kit							
6	99067	1	Gear Box – Flange w/Holes	23	330	1	1" Retaining Ring
21	11892-1	1	Auger Drive Shaft	24	99088	1	Bolt Bag – Gear Box Kit
22	99572	1	Machine Key, 1/4 x 3				
Item 4 78031 Chute Attachment Pin Kit							
25		2	1/2 x 9 Chute Pin	26		2	3/32 x 2-1/4 Cotter Pin
Item 6 99067 Gear Box – Flange w/Holes							
27	30456	1	Motor Flange (with holes)	29	86799	1	Gear Box Cover Kit, Secondary
28	86792	1	Gear Box Cover Kit, Primary	30	30017	1	Connector Flange
Item 7 31098 Gear Box – Flange w/Slots							
31	31101	1	Motor Flange (with slots)	29	86799	1	Gear Box Cover Kit, Secondary
28	86792	1	Gear Box Cover Kit, Primary	32	31102	1	Connector Flange
Item 8 31930 Chute Attachment Kit – Auger							
33		1	Auger Chute Bracket	ns	31928	1	Bolt Bag – Chute Attachment Kit
34		1	Auger Chute Bracket Locking				
Item 20 99086 Bolt Bag – Driveline Motor							
35		4	3/8 Flat Washer SS	36		4	3/8-16 x 3/4 Hex Cap Screw SS
Item 24 99088 Bolt Bag – Gear Box Kit							
37		4	M8-1.25 x 16 Hex Cap Screw SS	38		4	M8 Lock Washer SS
31928 Bolt Bag – Chute Attachment Kit							
10		4	3/8-16 x 1 Carriage Bolt SS	35		4	3/8 Flat Washer SS
12		4	3/8-16 Locknut SS				
		M = Metric	ns = not shown			SS = Stainless Steel	

RENEGADE™ STAINLESS STEEL HOPPER SPREADERS

POWERGROUP ASSEMBLY – CHAIN DRIVE



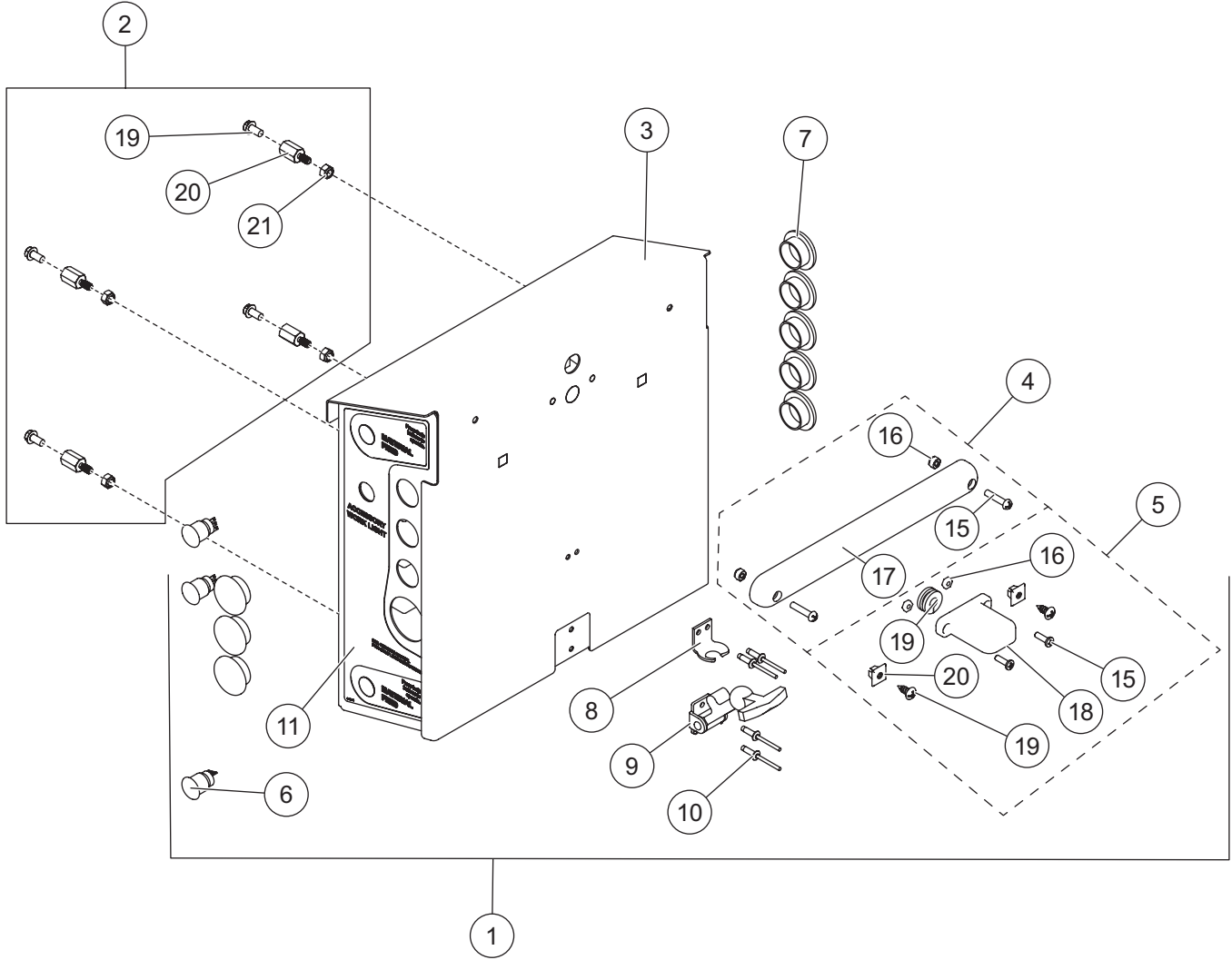
Gear boxes not to scale.

RENEGADE™ STAINLESS STEEL HOPPER SPREADERS

Drivetrain Assembly Components							
Item	Part	Qty	Description	Item	Part	Qty	Description
1	31926	1	Chain Powergroup – Mount Kit	5	31927	1	Chute Attachment Kit – Chain
2	99085	1	Driveline Motor Kit	6	78031	1	Chute Attachment Pin Kit
3	99087	1	Gear Box Kit – Flange w/Holes	7	65195	1	3/16 x 1 Machine Key
ns	31549	1	Gear Box Kit – Flange w/Slots				
4	99094	1	Drive Shaft Kit				
Item 1 31926 Chain Powergroup – Mount Kit							
8		1	Powergroup Side Plate DS	16		2	1/2 Flat Washer SS
9		1	Powergroup Side Plate PS	17		1	Gear Box Mount Bracket
10		6	3/8-16 x 1 Carriage Bolt	18		2	1/2-13 x 1-3/4 Carriage Bolt
11		6	3/8-16 Locknut SS	ns	69916	1	8-Pin Cable Boot
12		1	Chain Chute Side Bracket	ns		2	Motor Terminal Cover
13		1	Powergroup Brace	19		1	Harness Bracket
14		1	Chain Chute Front Bracket	20		2	#6-32 x 1-1/4 Hex Cap Screw SS
15		2	1/2-13 Hex Locknut SS	21		2	#6-32 Hex Locknut SS
Item 2 99085 Driveline Motor Kit							
22	D6825-1	1	Motor 1/2 HP, NEMA 56C	23	99086	1	Bolt Bag – Driveline Motor
Item 3 99087 Gear Box Kit – Flange w/Holes							
24	99067	1	Gear Box – Flange w/Holes	25	99088	1	Bolt Bag – Gear Box Kit
 31549 Gear Box Kit – Flange w/Slots							
26	31098	1	Gear Box – Flange w/Slots	25	99088	1	Bolt Bag – Gear Box Kit
Item 4 99094 Drive Shaft Kit							
27		1	Drive Shaft	32		2	3/8-16 x 1-1/2 Carriage Bolt SS
28	99479	2	6-Tooth Sprocket Kit	33		2	3/8 Flat Washer SS
29	94536	1	Bearing, 1.125 ID 2-Bolt Flange	34		2	3/8 Lock Washer SS
30	330	1	1" Retaining Ring	35		2	3/8-16 Hex Nut SS
31	99572	1	1/4 x 3 Machine Key				
Item 5 31927 Chute Attachment Kit – Chain							
36		1	Chain Chute Front Bracket	38	31928	1	Bolt Bag – Chute Attachment Kit
37		1	Chain Chute Side Bracket				
Item 6 78031 Chute Attachment Pin Kit							
39		2	1/2 x 9 Chute Pin	40		2	3/32 x 2-1/4 Cotter Pin
Item 23 99086 Bolt Bag – Driveline Motor							
41		4	3/8 Flat Washer SS	42		4	3/8-16 x 3/4 Hex Cap Screw SS
Item 24 99067 Gear Box – Flange w/Holes							
43	30456	1	Motor Flange (with holes)	45	86799	1	Gear Box Cover Kit, Secondary
44	86792	1	Gear Box Cover Kit, Primary	46	30017	1	Connector Flange
Item 25 99088 Bolt Bag – Gear Box Kit							
47		4	M8-1.25 x 16 Hex Cap Screw SS	48		4	M8 Lock Washer SS
Item 26 31098 Gear Box – Flange w/Slots							
49	31101	1	Motor Flange (with slots)	45	86799	1	Gear Box Cover Kit, Secondary
44	86792	1	Gear Box Cover Kit, Primary	50	31102	1	Connector Flange
Item 38 31928 Bolt Bag – Chute Attachment Kit							
10		4	3/8-16 x 1 Carriage Bolt SS	41		4	3/8 Flat Washer SS
11		4	3/8-16 Locknut SS				
ns = not shown			G = Grade	SS = Stainless Steel		M = Metric	

RENEGADE™ STAINLESS STEEL HOPPER SPREADERS

ELECTRICAL BOX ASSEMBLY

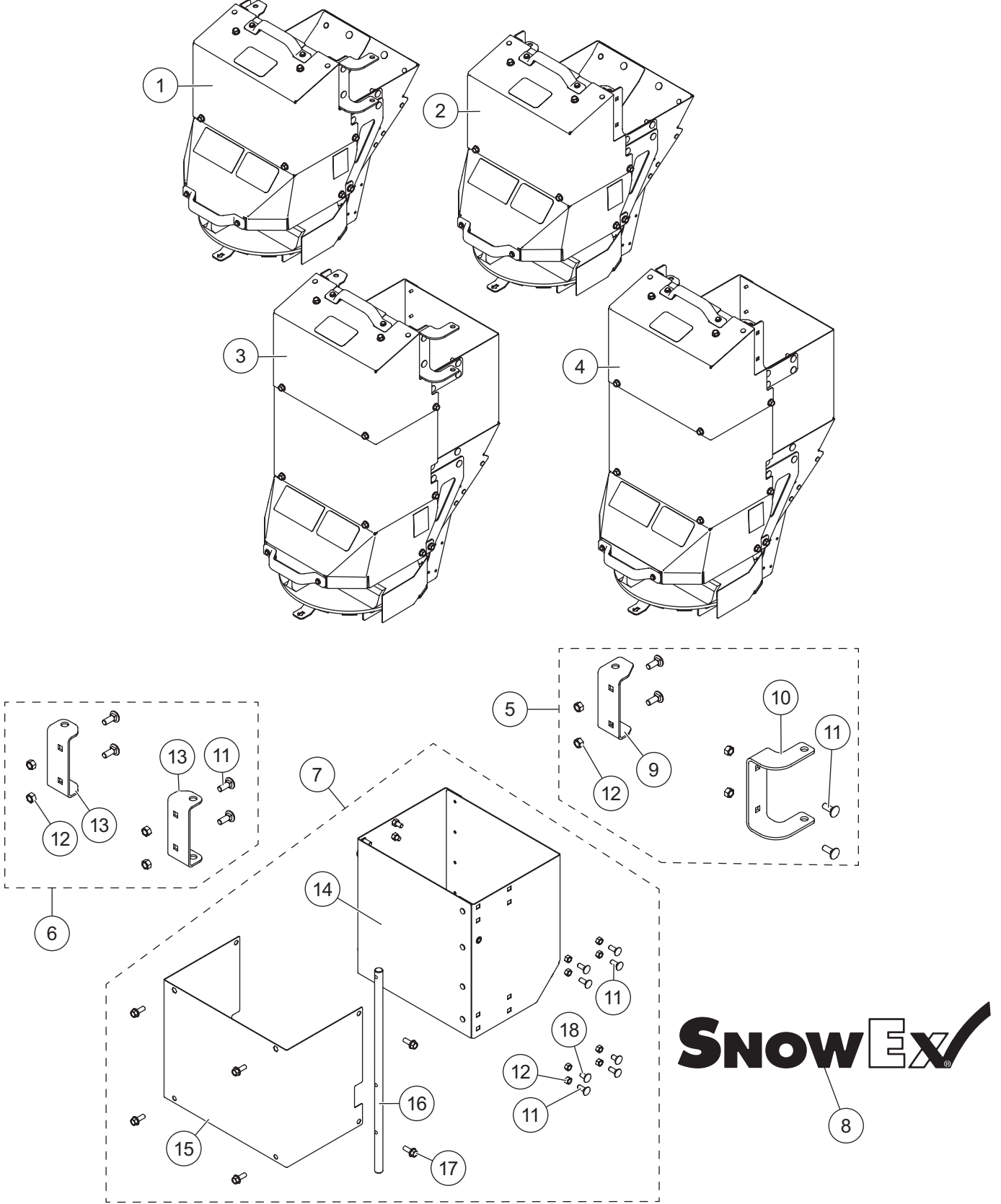


RENEGADE™ STAINLESS STEEL HOPPER SPREADERS

Electrical Box Components							
Item	Part	Qty	Description	Item	Part	Qty	Description
1	31931	1	Electrical Box Assembly	2	31932	1	Electrical Box Mounting Hardware
Item 1				31931 Electrical Box Assembly			
3	31941	1	Electrical Box	8		1	Keeper
4	99080	1	CHMSL Kit	9		1	Latch Assembly
5	31933	1	License Plate Kit	10		4	3/16 Pop Rivet
6	99254	3	Switch, Push Button	11	31155	1	Label – Control, Spreader Chute
7	99195	8	Break-Thru Plug				
Item 2				31932 Electrical Box Mounting Hardware			
12		4	1/4-20 x 1/2 Hex Cap Screw SS	14		4	1/4-20 Hex Locknut SS
13		4	1/4-20 Standoff				
Item 4				99080 Center High-Mounted Stoplight (CHMSL) Kit			
15		2	#10-32 x 1" Machine Screw	17		1	CHMSL w/8" Lead
16		2	#10-32 Hex Locknut SS				
Item 5				31933 License Plate Kit			
15		2	#10-32 x 1" Machine Screw	19	66130	1	Rubber Grommet
16		2	#10-32 Hex Locknut SS	20		2	License Plate Nut
18		1	License Plate Lamp	21		2	License Plate Screw
SS = Stainless Steel							

RENEGADE™ STAINLESS STEEL HOPPER SPREADERS

CHUTE ASSEMBLIES

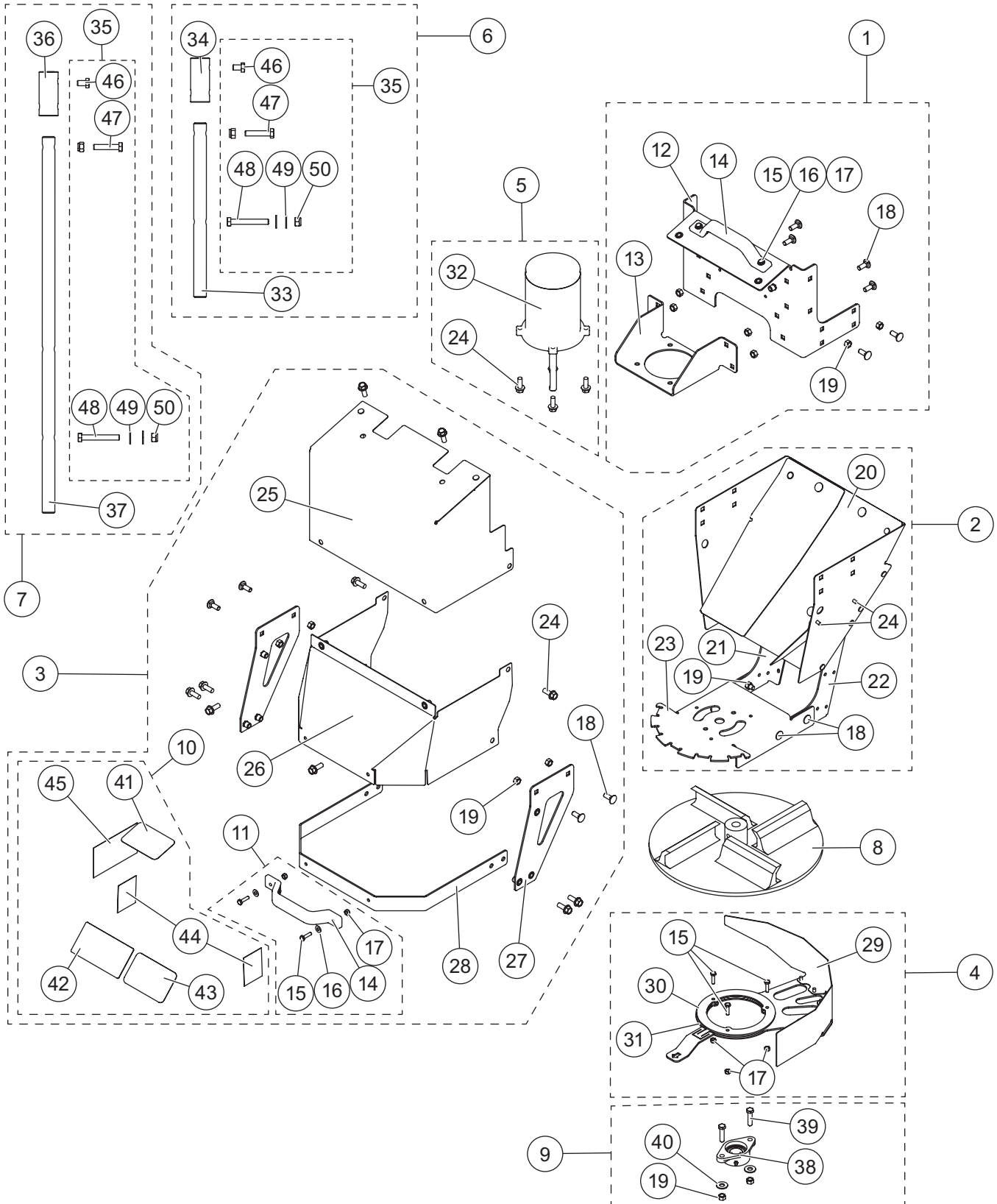


RENEGADE™ STAINLESS STEEL HOPPER SPREADERS

Chute Assembly Components							
Item	Part	Qty	Description	Item	Part	Qty	Description
1	31942	1	Short Chute – Chain	5	31934	1	Chute Attachment Kit – Chain
2	31943	1	Short Chute – Auger	6	31935	1	Chute Attachment Kit – Auger
3	31944	1	Long Chute – Chain	7	31936	1	Chute Extension Kit
4	31946	1	Long Chute – Auger	8	30596	1	Label – Logo, SnowEx® Chute
Item 5 31934 Chute Attachment Kit – Chain							
9		1	Chain Chute Bracket	ns	31928	1	Bolt Bag – Chute Attachment Kit
10		1	Chain Chute Bracket Wrap				
Item 6 31935 Chute Attachment Kit – Auger							
13		2	Auger Chute Bracket	ns	31928	1	Bolt Bag – Chute Attachment Kit
Item 7 31936 Chute Extension Kit							
14		1	12" Chute Extension	16		1	Chute Shaft – Long
15	31938	1	Chute Extension Cover	ns	31939	1	Bolt Bag – Chute Extension Kit
31928 Bolt Bag – Chute Attachment Kit							
11	90375	4	3/8-16 x 1 Carriage Bolt SS	12	91351	4	3/8-16 Locknut SS
31939 Bolt Bag – Chute Extension Kit							
11		13	3/8-16 x 1 Carriage Bolt SS	17		4	3/8-16 x 1 Flanged Hex Cap Screw SS
12		17	3/8-16 Locknut SS	18		4	3/8-16 x 3/4 Carriage Bolt SS
						ns = not shown	
						SS = Stainless Steel	

RENEGADE™ STAINLESS STEEL HOPPER SPREADERS

CHUTE ASSEMBLIES



RENEGADE™ STAINLESS STEEL HOPPER SPREADERS

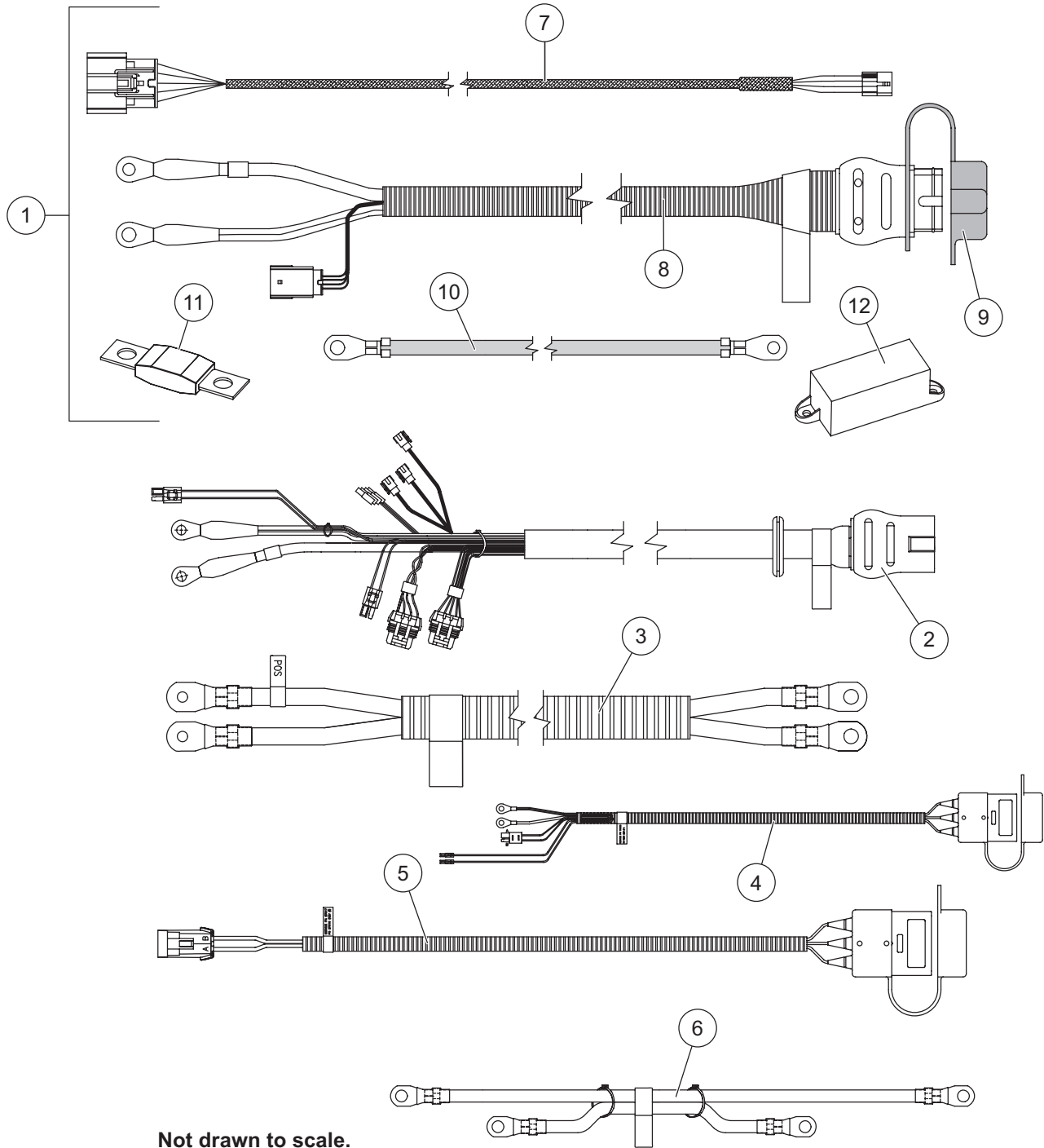
Chute Assembly Components							
Item	Part	Qty	Description	Item	Part	Qty	Description
1	31947	1	Chute Mounting Kit	7	31964	1	Chute Spinner Shaft Kit – Long
2	31948	1	Chute Body Kit	8	94424	1	Spinner, Black Poly – CCW Rotation
3	31949	1	Chute Cover Kit	9	31965	1	Bearing Kit
4	31961	1	Chute Shutter Kit	10	31970	1	Chute Label Kit
5	31962	1	Chute Motor Kit	11	99098	1	Handle Kit, SH
6	31963	1	Chute Spinner Shaft Kit – Short				
Item 1				31947 Chute Mounting Kit			
12		1	Chute Hanger	16		2	1/4 Flat Washer SS
13		1	Chute Motor Mount	17		2	1/4-20 Hex Locknut SS
14		1	Plastic Handle	18		12	3/8-16 x 1 Carriage Bolt SS
15		2	1/4-20 x 1 Hex Cap Screw SS	19		12	3/8-16 Locknut SS
Item 2				31948 Chute Body Kit			
18		8	3/8-16 x 1 Carriage Bolt SS	22		1	Chute Support – PS
19		8	3/8-16 Locknut SS	23		1	Chute Shutter Mount
20		1	Chute Body	ns		1	Chute Cross Brace
21		1	Chute Support – DS	24		4	3/8-16 x 1 Flanged Hex Cap Screw SS
Item 3				31949 Chute Cover Kit			
10	31970	1	Chute Label Kit	27		2	Chute Guard Bracket
14		1	Plastic Handle	28		1	Chute Guard
25		1	Chute Cover – Top	ns	31981	1	Bolt Bag – Chute Cover Kit
26		1	Chute Cover – Bottom				
Item 4				31961 Chute Shutter Kit			
15		3	1/4-20 x 1 Hex Cap Screw SS	30		2	Deflector Ring
17		3	1/4-20 Hex Locknut SS	31		1	Centering Ring
29		1	Adjustable Deflector				
Item 5				31962 Chute Motor Kit			
24		4	3/8-16 x 1 Flanged Hex Cap Screw SS	32	D6887	1	Spinner Motor, Direct Drive
Item 6				31963 Chute Spinner Shaft Kit – Short			
33		1	Spinner Shaft Coupler	35	31982	1	Bolt Bag – Chute Spinner Shaft Kit
34		1	Spinner Shaft – Short				
Item 7				31964 Chute Spinner Shaft Kit – Long			
35	31982	1	Bolt Bag – Chute Spinner Shaft Kit	37		1	Spinner Shaft – Long
36		1	Spinner Shaft Coupler				
Item 9				31965 Bearing Kit			
19		2	3/8-16 Locknut SS	39		2	3/8-16 x 1-1/2 Hex Cap Screw SS
38	96167	1	Pillow Block Bearing 3/4 Bore	40		2	3/8 Flat Washer SS
Item 10				31970 Chute Label Kit			
41	30917EN	1	Label – No Step	44	32593EN	2	Label – Warning, Multiple Pinch Points
42	11100	1	Label – Warning, Rear Camera	45	92969	1	Label – Chute Disconnect
43	30918EN	1	Label – Warning, GVWR/Loading				
Item 11				99098 Handle Kit – SH			
14		1	Plastic Handle	ns	99099	1	Bolt Bag – Handle Kit SH
Item 35				31982 Bolt Bag – Chute Spinner Shaft Kit			
46		1	5/16-18 x 1/2 Hex Cap Screw SS	49		2	5/16 Flat Washer SS
47		1	5/16-18 x 1-1/2 Hex Cap Screw SS	50		2	5/16-18 Locknut SS
48		1	5/16-18 x 2-1/4 Hex Cap Screw SS				
Item 35				31981 Bolt Bag – Chute Cover Kit			
15		2	1/4-20 x 1 Hex Cap Screw SS	18		4	3/8-16 x 1 Carriage Bolt SS
16		2	1/4 Flat Washer SS	19		4	3/8-16 Locknut SS
17		2	1/4-20 Hex Locknut SS	24		10	3/8-16 x 1 Flanged Hex Cap Screw SS

ns = not shown

SS = Stainless Steel

RENEGADE™ STAINLESS STEEL HOPPER SPREADERS

CONTROL & ELECTRICAL COMPONENTS



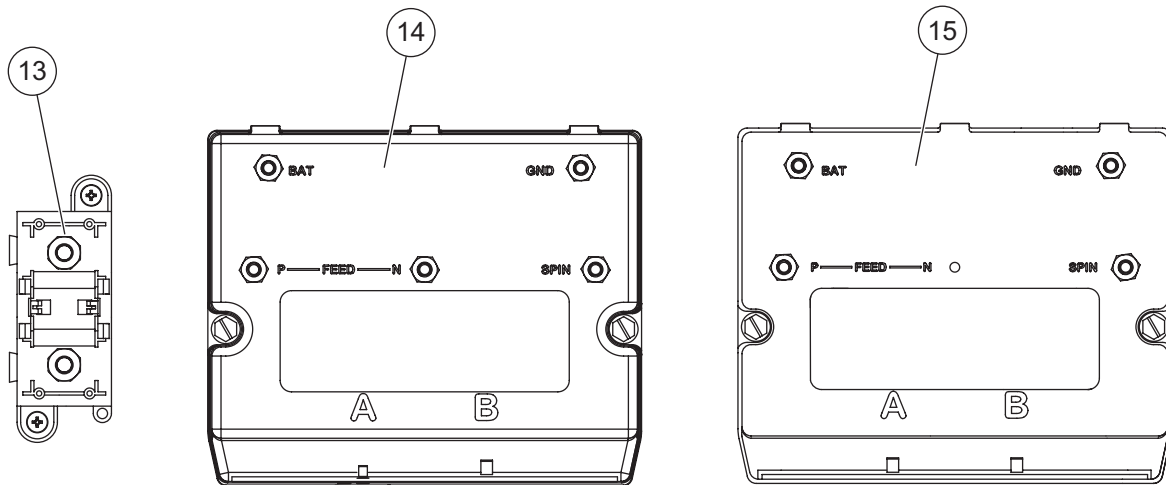
RENEGADE™ STAINLESS STEEL HOPPER SPREADERS

CONTROL & ELECTRICAL COMPONENTS

Cables & Harnessing / Electrical Enclosure Assembly							
Item	Part	Qty	Description	Item	Part	Qty	Description
1	83695*	1	Vehicle-Side Harness – 330" Kit	4	87632	1	Chute Module Side Cable Assembly
	78402**	1	Vehicle-Side Harness – 300" Kit	5	87617	1	Chute Motor Side Cable Assembly
2	83688	1	Hopper Cable Assembly	6	78385	1	Module to Isolated Stud Cable Assy
3	78987	1	Module to Auger Motor Cable Assy				
Item 1 83695* Vehicle-Side Harness Kit – 330"							
7	69902	1	Vehicle Control Harness	11	95836	1	Fuse, 100A
8	83690	1	Vehicle Harness Assy (incl. item 9)	12	31179	1	Fuse Holder/Isolated Stud Block
9	99759	1	Plug Cover	ns		6	Cable Tie, HD
10	22511	1	22" Battery Cable – Red	ns		10	Cable Tie, 14" Black
Item 1 78402** Vehicle-Side Harness Kit – 300"							
7	69902	1	Vehicle Control Harness	11	95836	1	Fuse, 100A
8	76057	1	Vehicle Harness Assy (incl. item 9)	12	31179	1	Fuse Holder/Isolated Stud Block
9	99759	1	Plug Cover	ns		6	Cable Tie, HD
10	22511	1	22" Battery Cable – Red	ns		10	Cable Tie, 14" Black
Electrical Box Components – Auger Spreader							
13	31179	1	Fuse Holder/Isolated Stud Block	14	52375	1	Spreader Module, 5-Post
Electrical Box Components – Chain Spreader							
13	31179	1	Fuse Holder/Isolated Stud Block	15	52385	1	Spreader Module, 4-Post
ns = not shown				G = Grade		SS = Stainless Steel	

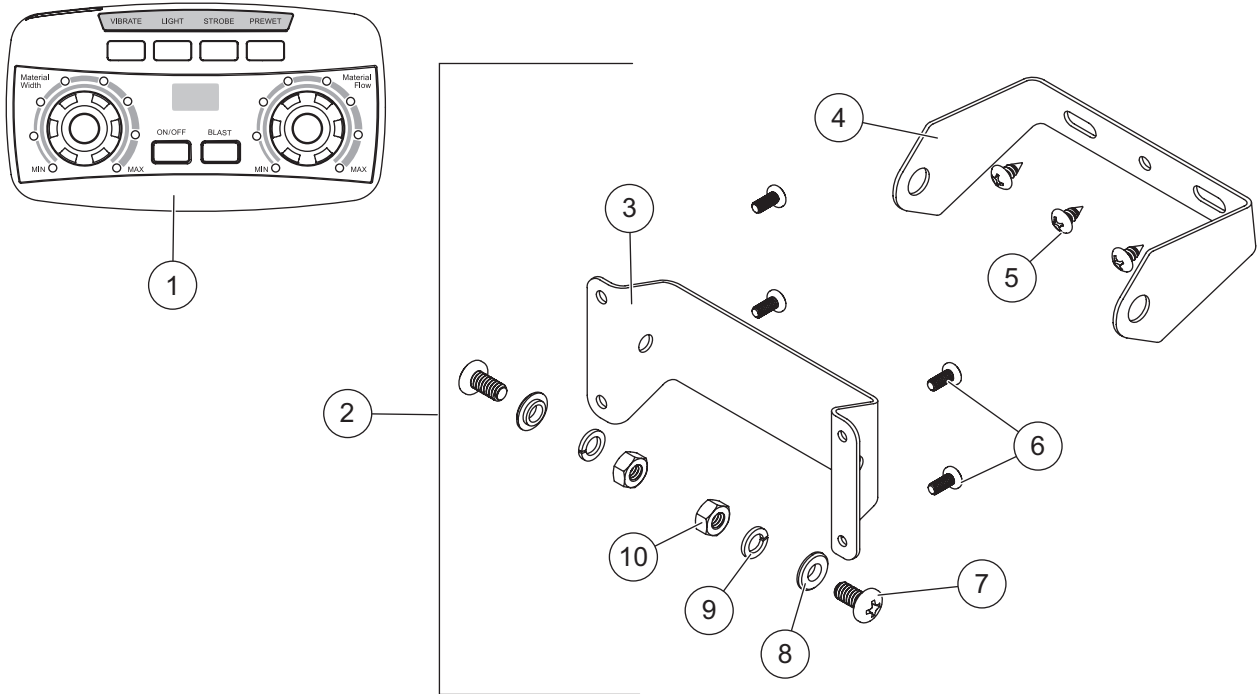
* For 3.0, 4.0, and 5.0 yd³ spreaders.

** For 1.5 and 2.2 yd³ spreaders.



RENEGADE™ STAINLESS STEEL HOPPER SPREADERS

CONTROL & ELECTRICAL COMPONENTS



Cab Control Kit							
Item	Part	Qty	Description	Item	Part	Qty	Description
1	52432	1	Cab Control 2-Knob	2	52345	1	Cab Control Bracket Kit
Item 2				52345 Cab Control Bracket Kit			
3		1	Bracket, Control Inner	7		2	1/4-20 x 5/8 Pan Head Machine Screw SS
4		1	Bracket, Control Outer	8		2	1/4 Shoulder Washer – Black
5		3	#10 x 3/8 Pan Head Tapping Screw SS	9		2	1/4 Lock Washer SS
6		4	#8-32 x 3/8 Phillips Pan Head Machine Screw	10		2	1/4-20 Hex Nut SS
SS = Stainless Steel				G = Grade			

RENEGADE™ STAINLESS STEEL HOPPER SPREADERS

ACCESSORIES

Part	Description	Part	Description
93265	Triple Threat, 50 gallon – S150 & S220	93521	Pullover Tarp Kit – S150
93270	Triple Threat, 200 gallon – S300/S400/S500	93522	Pullover Tarp Kit – S220
93275	Triple Threat, 100 gallon expansion – S300/ S400/S500	68790	Ratchet Tie-Down Kit
31210	Rearview Material Monitoring Camera	99690	Tie-Down Kit, SH Chain
93980	50" Side Extension Kit – S150 & S220	76668-1	Vibrator Kit
93985	70" Side Ext. Kit – S300/S400/S500	93990	Inverted V – S150 chain models
93970	50" Spill Guard Kit – S150 & S220	93995	Inverted V – S220 chain models
93975	70" Spill Guard Kit – S300/S400/S500	99505-1	LED Work Light Kit
11763-1	Central Point Grease Kit	99732-1	LED Work Light Kit (auxiliary)
		99494-1	LED Strobe Light Kit



TrynEx International, LLC
531 Ajax Drive
Madison Heights, MI 48071-2429
www.snowexproducts.com

 A DIVISION OF DOUGLAS DYNAMICS, LLC

Copyright © 2024 Douglas Dynamics, LLC. All rights reserved. This material may not be reproduced or copied, in whole or in part, in any printed, mechanical, electronic, film, or other distribution and storage media, without the written consent of TrynEx International, LLC. Authorization to photocopy items for internal or personal use by TrynEx International outlets or spreader owner is granted.

TrynEx International reserves the right under its product improvement policy to change construction or design details and furnish equipment when so altered without reference to illustrations or specifications used. TrynEx International or the vehicle manufacturer may require or recommend optional equipment for spreaders. Do not exceed vehicle ratings with a spreader. TrynEx International offers a limited warranty for all spreaders and accessories. See separately printed page for this important information. The following are registered (®) or unregistered (™) trademarks of Douglas Dynamics, LLC: HELIXX™, Renegade™, SnowEx®.

Printed in U.S.A.