

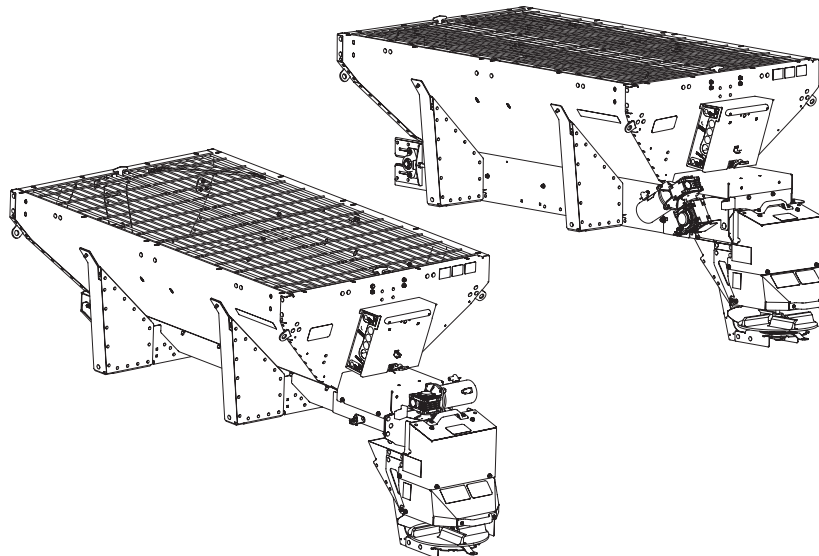


Renegade™ Stainless Steel Hopper Spreader

#S150A, S220A, S300A, S400A, S500A

S150C, S220C, S300C, S400C, S500C

Parts List



This Parts List is for SnowEx® Renegade stainless steel hopper spreaders
with serial numbers beginning with 230301 and higher.

RENEGADE™ STAINLESS STEEL HOPPER SPREADERS

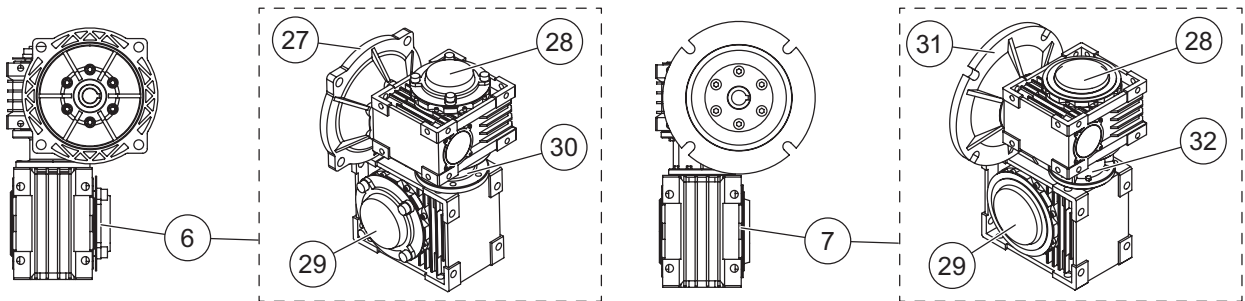
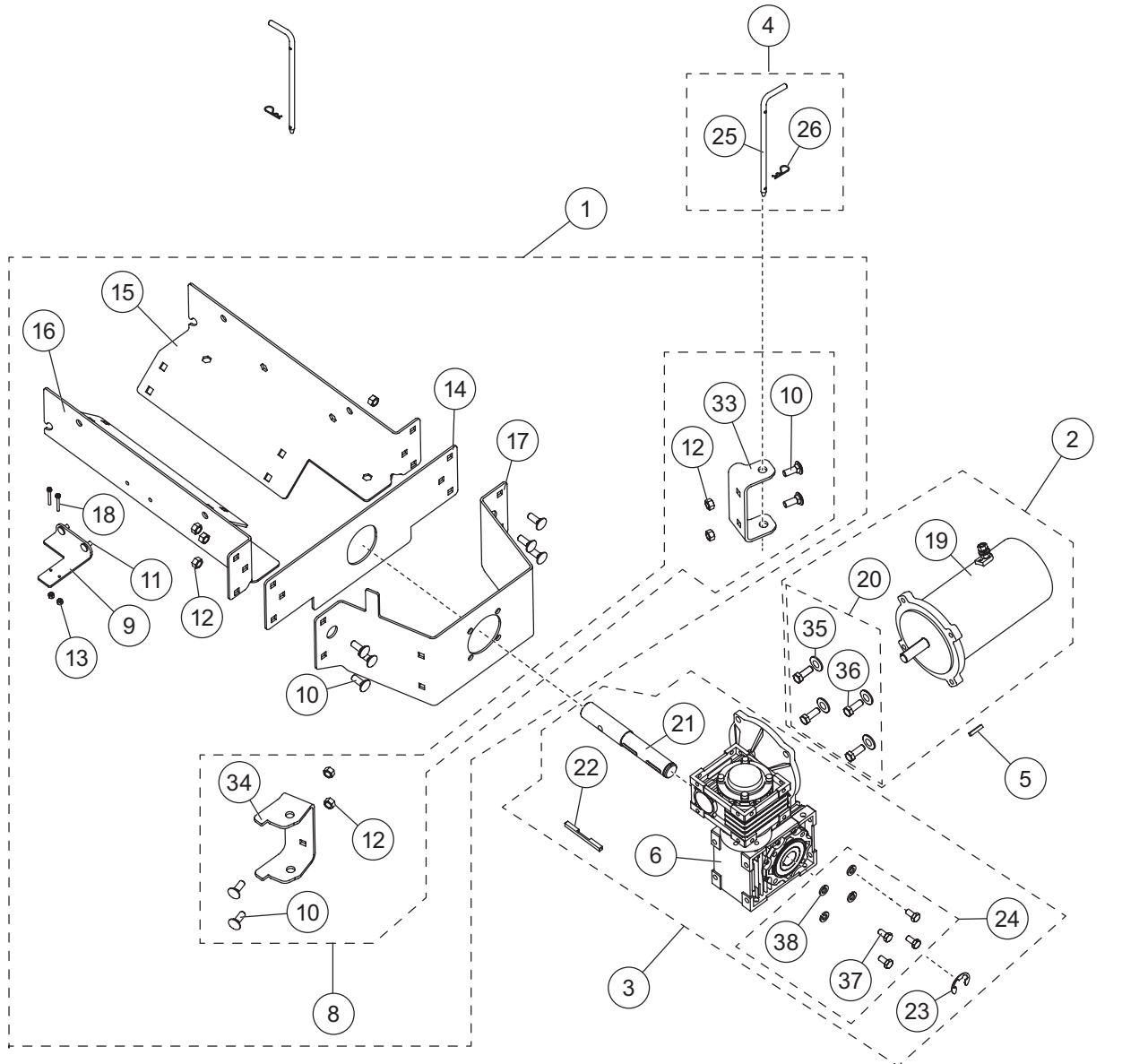
Hopper Assembly Components							
Item	Part	Qty	Description	Item	Part	Qty	Description
1	99515	2	Top Screen – S150	7	31849	1	Auger Kit, Short – S150A
ns	99516	2	Top Screen – S220	ns	31851	1	Auger Kit, Long – S220A/S300A/S400A/S500A
ns	80080	2	Top Screen – S300				
ns	99518	2	Top Screen – S400/S500	8	85422	2*	Auger Keeper Kit
2	99578	1	Screen Attachment Kit (set of 4)	9	31852	1	Cab-Side Trough Cap Kit
3	93990	1	Inverted V Kit – S150	10	31853	1	Extension Cover, Auger – S150A
ns	93995	1	Inverted V Kit – S220/S300/S400/S500	ns	31857	1	Extension Cover, Auger – S220A
				ns	31859	1	Extension Cover, Auger – S300A
4	31594EN	2	Label – Warning/Caution, Spreaders	ns	31900	1	Extension Cover, Auger – S400A/S500A
5	30916EN	1	Label – Warning Rotating Parts				
6	67272	4	Label – Caution, Do Not Lift	11	31983	1	Bolt Bag – Extension Cover
Item 3				93990 Inverted V Kit – S150			
12		1	Inverted V – Short	14		1	Bracket, Inverted V – S150
13		3	Inverted V Formed Leg	ns	31923	1	Bolt Bag – Inverted V
				93995 Inverted V Kit – S220/S300/S400/S500			
13		3	Inverted V Formed Leg	ns		1	Bracket, Inverted V – S300
ns		1	Inverted V – Long	ns		1	Bracket, Inverted V – S400/S500
ns		1	Bracket, Inverted V – S220	ns	31923	1	Bolt Bag – Inverted V
				31923 Bolt Bag – Inverted V			
15		4	3/8-16 x 1-1/2 Carriage Bolt SS	17		10	3/8 Flat Washer SS
16		6	3/8-16 x 1 Carriage Bolt SS	18		10	3/8-16 Hex Locknut SS
Item 7				31849 Auger Kit, Short – S150A			
18		1	3/8-16 Hex Locknut SS	22		3	5/16-18 Hex Locknut SS
19		1	90" Auger	23		1	3/8-16 x 3 Hex Cap Screw SS
20		3	5/16-18 x 1 Carriage Bolt SS	24	11888	1	Front Auger Bearing
21		3	5/16 Flat Washer SS				
				31851 Auger Kit, Long – S220A/S300A/S400A/S500A			
18		1	3/8-16 Hex Locknut SS	23		1	3/8-16 x 3 Hex Cap Screw SS
20		3	5/16-18 x 1 Carriage Bolt SS	24	11888	1	Front Auger Bearing
21		3	5/16 Flat Washer SS	ns		1	101" Auger
22		3	5/16-18 Hex Locknut SS				
Item 8				85422 Auger Keeper Kit			
22		2	5/16-18 Hex Locknut SS	27		1	Auger Keeper
26		2	5/16-18 x 3/4 Carriage Bolt SS				
Item 9				31852 Cab-Side Trough Cap Kit			
16		5	3/8-16 x 1 Carriage Bolt SS	28		1	Cab-Side Trough Plate
18		5	3/8-16 Hex Locknut SS	ns		1	Auger Shaft Assembly
Item 11				31983 Bolt Bag – Extension Cover			
		4	3/8-16 x 1 Flanged Hex Cap Screw SS				
ns = not shown				SS = Stainless Steel			

* The S150A auger kit requires one auger keeper; S220A/S300A/S400A/S500A auger kit requires two auger keepers.

Labels – Renegade Hopper Spreaders					
Part	Qty	Description	Part	Qty	Description
30596	1	Label – Logo, SnowEx® Chute	31282	2	Label – Logo, Renegade S300A
30598	1	Label – Logo, HELIXX™	31281	2	Label – Logo, Renegade S300C
31278	2	Label – Logo, Renegade S150A	31284	2	Label – Logo, Renegade S400A
31277	2	Label – Logo, Renegade S150C	31285	2	Label – Logo, Renegade S400C
31280	2	Label – Logo, Renegade S220A	31286	2	Label – Logo, Renegade S500A
31279	2	Label – Logo, Renegade S220C	31287	2	Label – Logo, Renegade S500C

RENEGADE™ STAINLESS STEEL HOPPER SPREADERS

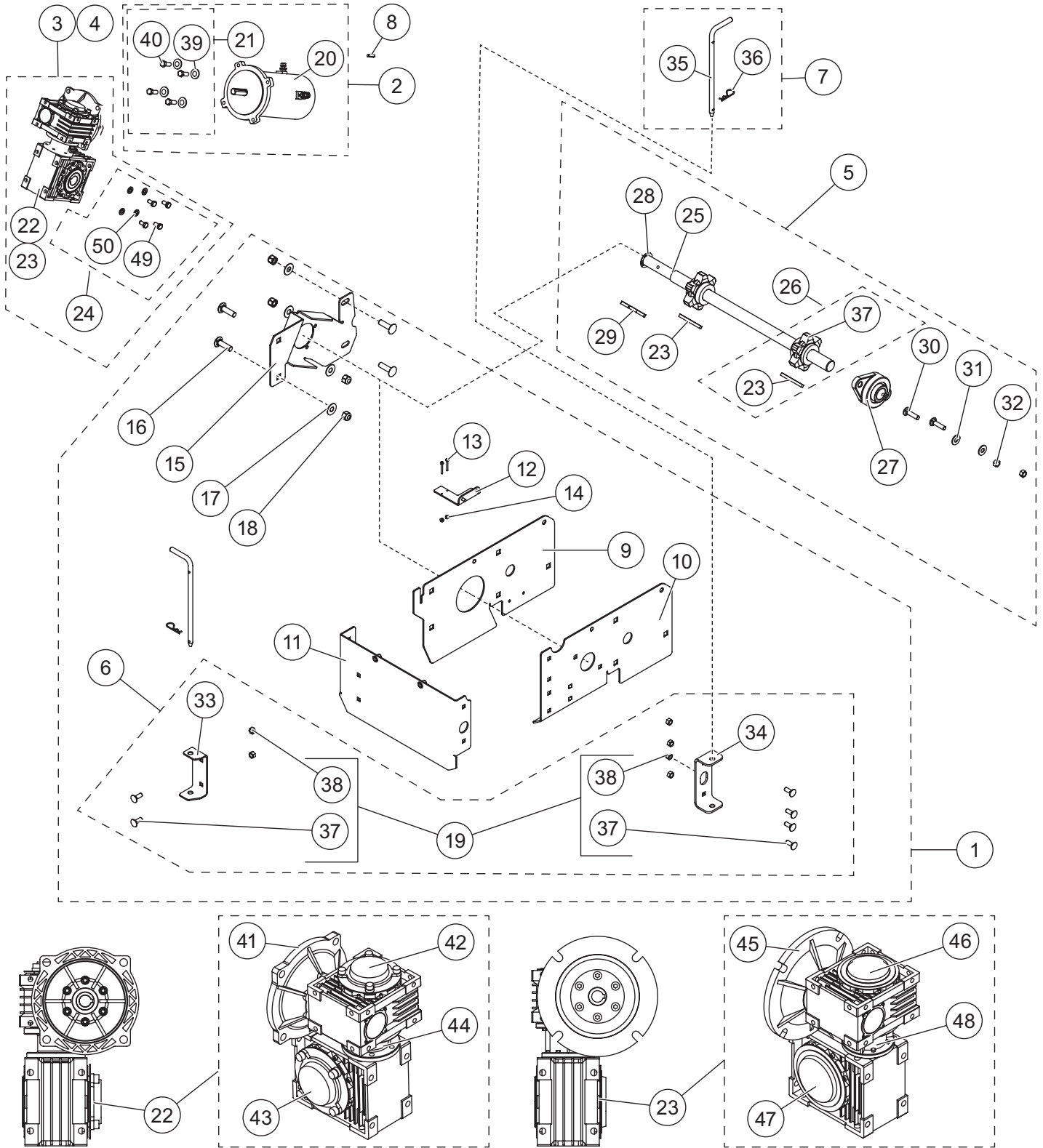
POWERGROUP ASSEMBLY – AUGER DRIVE



Gear boxes not to scale.

RENEGADE™ STAINLESS STEEL HOPPER SPREADERS

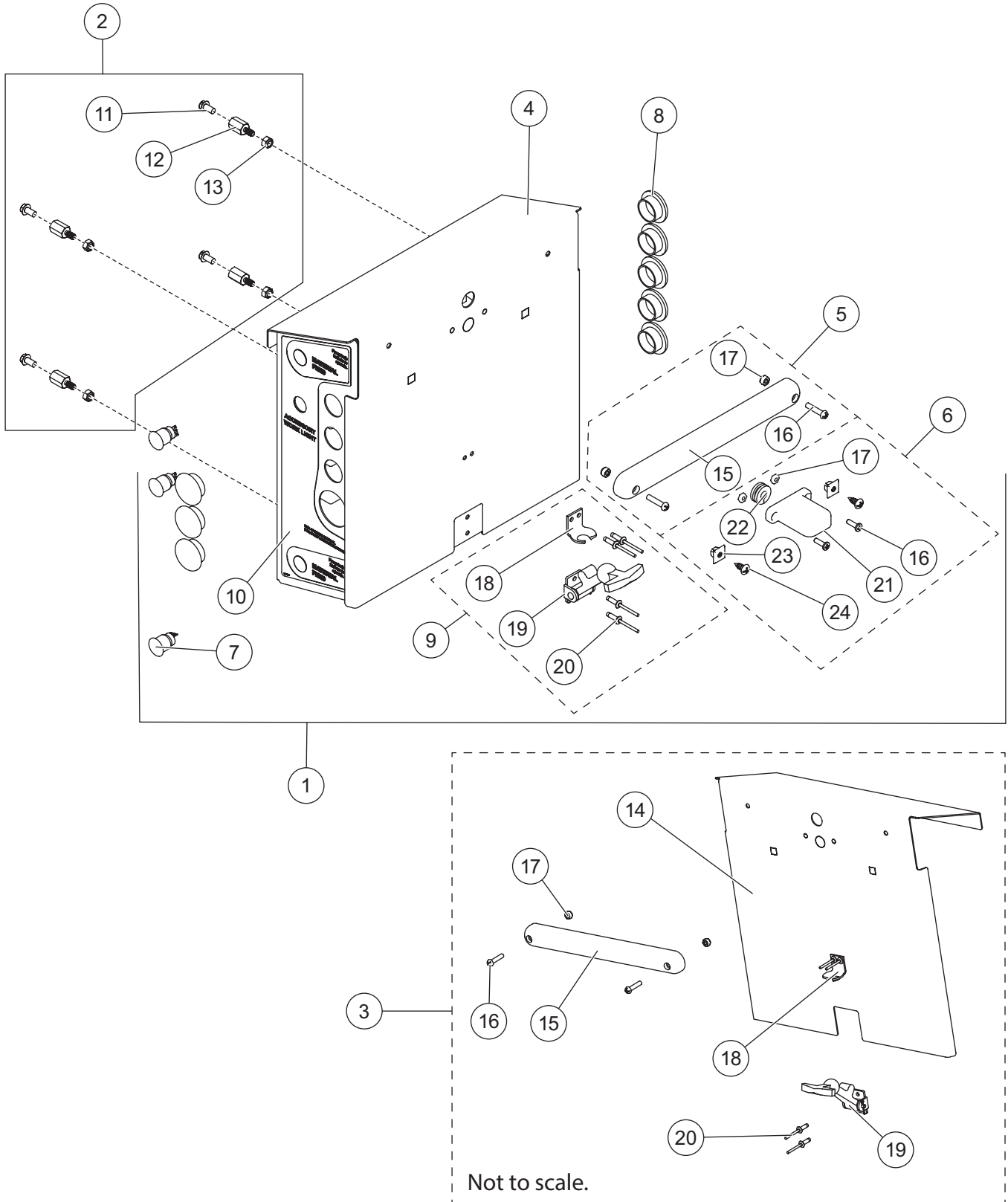
POWERGROUP ASSEMBLY – CHAIN DRIVE



Gear boxes not to scale.

RENEGADE™ STAINLESS STEEL HOPPER SPREADERS

ELECTRICAL BOX ASSEMBLY

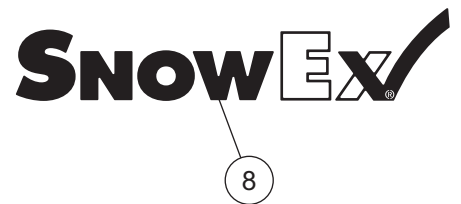
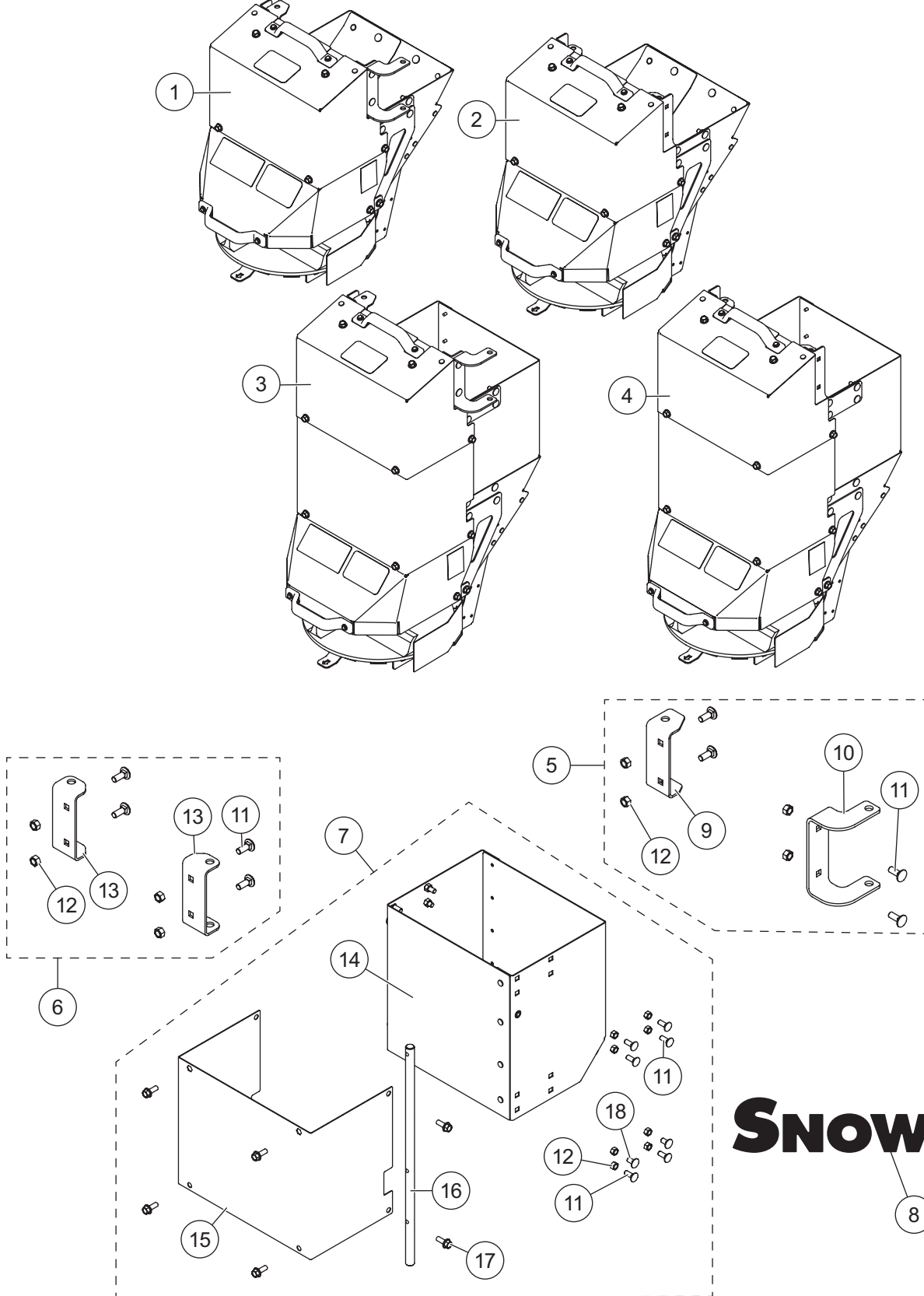


RENEGADE™ STAINLESS STEEL HOPPER SPREADERS

Electrical Box Components							
Item	Part	Qty	Description	Item	Part	Qty	Description
1	31931	1	Electrical Box Assembly	3	85870	1	Electrical Box Cover Service Kit
2	31932	1	Electrical Box Mounting Hardware				
Item 1				31931 Electrical Box Assembly			
4	31941	1	Electrical Box	8	99195	8	Break-Thru Plug
5	99080	1	CHMSL Kit	9	65224	1	Electrical Box Strap Assembly
6	31933	1	License Plate Kit	10	31155	1	Label – Control, Spreader Chute
7	99254	3	Switch, Push Button				
Item 2				31932 Electrical Box Mounting Hardware			
11		4	1/4-20 x 1/2 Hex Cap Screw SS	13		4	1/4-20 Hex Locknut SS
12		4	1/4-20 Standoff				
Item 3				85870 Electrical Box Cover Service Kit			
14		1	Electrical Enclosure Cover	18		1	Keeper
15		1	CHMSL w/8" Lead	19		1	Rubber Hold-Down Strap
16		2	#10-32 x 1" Machine Screw	20		4	3/16 Pop Rivet
17		2	#10-32 Hex Locknut SS				
Item 5				99080 Center High-Mounted Stoptlight (CHMSL) Kit			
15		1	CHMSL w/8" Lead	17		2	#10-32 Hex Locknut SS
16		2	#10-32 x 1" Machine Screw				
Item 6				31933 License Plate Kit			
16		2	#10-32 x 1" Machine Screw	22	66130	1	Rubber Grommet
17		2	#10-32 Hex Locknut SS	23		2	License Plate Nut
21		1	License Plate Lamp	24		2	License Plate Screw
Item 9				65224 Electrical Box Strap Assembly			
18		1	Keeper	20		4	3/16 Pop Rivet
19		1	Rubber Hold-Down Strap				
SS = Stainless Steel							

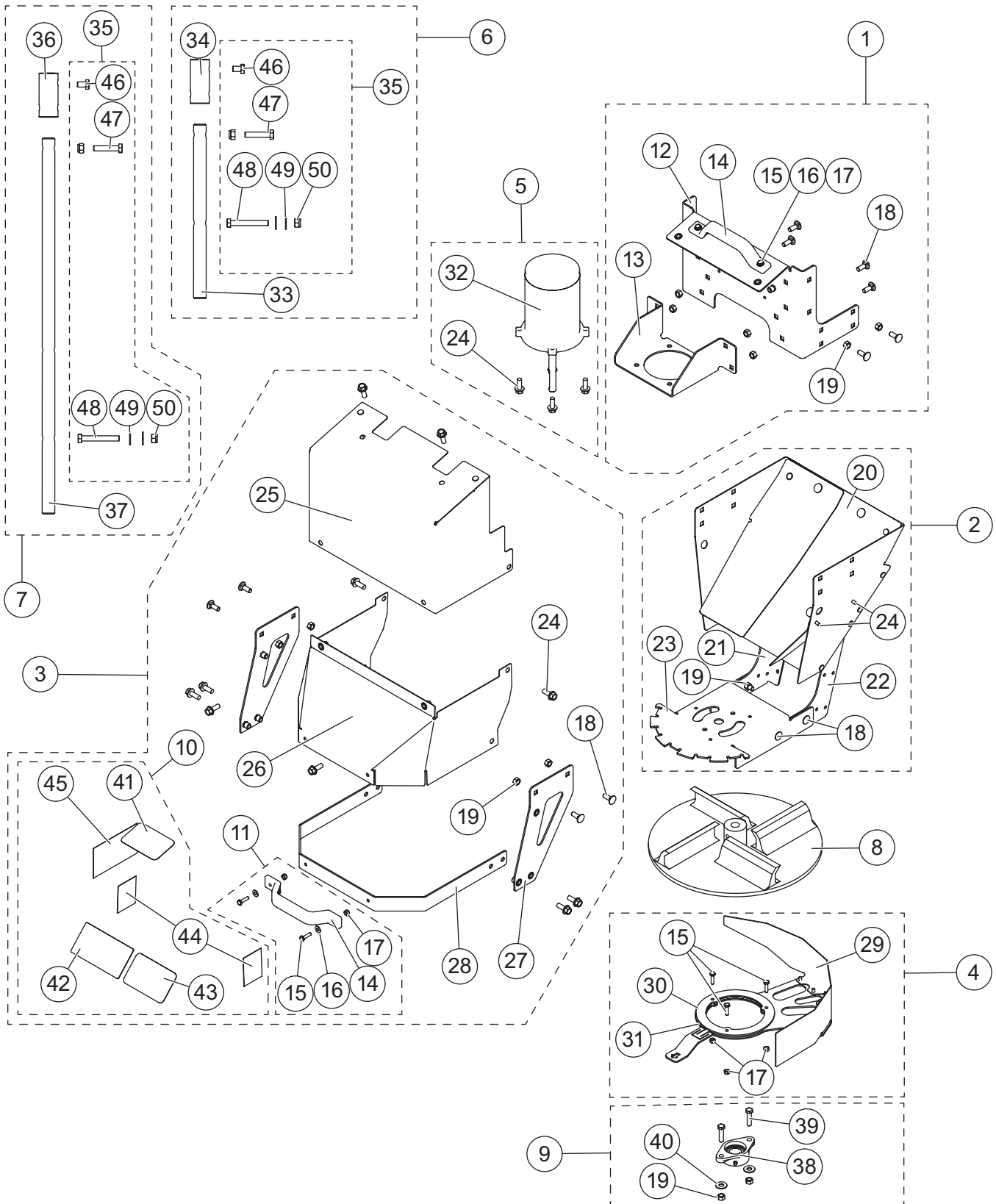
RENEGADE™ STAINLESS STEEL HOPPER SPREADERS

CHUTE ASSEMBLIES



RENEGADE™ STAINLESS STEEL HOPPER SPREADERS

CHUTE ASSEMBLIES

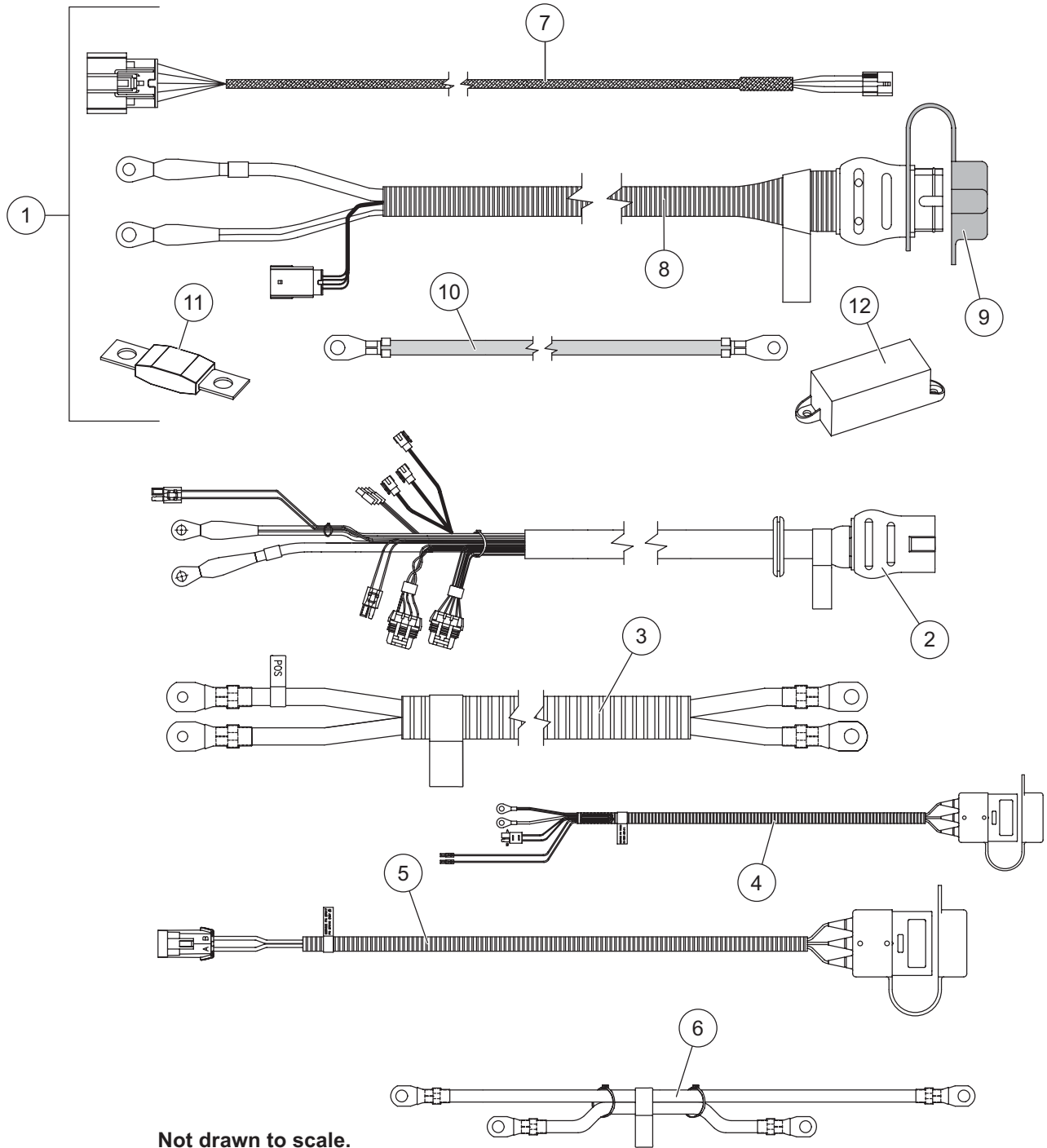


RENEGADE™ STAINLESS STEEL HOPPER SPREADERS

Chute Assembly Components							
Item	Part	Qty	Description	Item	Part	Qty	Description
1	31947	1	Chute Mounting Kit	7	31964	1	Chute Spinner Shaft Kit – Long
2	31948	1	Chute Body Kit	8	94424	1	Spinner, Black Poly – CCW Rotation
3	31949	1	Chute Cover Kit	9	31965	1	Bearing Kit
4	31961	1	Chute Shutter Kit	10	31970	1	Chute Label Kit
5	31962	1	Chute Motor Kit	11	99098	1	Handle Kit, SH
6	31963	1	Chute Spinner Shaft Kit – Short				
Item 1				31947 Chute Mounting Kit			
12		1	Chute Hanger	16		2	1/4 Flat Washer SS
13		1	Chute Motor Mount	17		2	1/4-20 Hex Locknut SS
14		1	Plastic Handle	18		12	3/8-16 x 1 Carriage Bolt SS
15		2	1/4-20 x 1 Hex Cap Screw SS	19		12	3/8-16 Locknut SS
Item 2				31948 Chute Body Kit			
18		8	3/8-16 x 1 Carriage Bolt SS	22		1	Chute Support – PS
19		8	3/8-16 Locknut SS	23		1	Chute Shutter Mount
20		1	Chute Body	ns		1	Chute Cross Brace
21		1	Chute Support – DS	24		4	3/8-16 x 1 Flanged Hex Cap Screw SS
Item 3				31949 Chute Cover Kit			
10	31970	1	Chute Label Kit	27		2	Chute Guard Bracket
14		1	Plastic Handle	28		1	Chute Guard
25		1	Chute Cover – Top	ns	31981	1	Bolt Bag – Chute Cover Kit
26		1	Chute Cover – Bottom				
Item 4				31961 Chute Shutter Kit			
15		3	1/4-20 x 1 Hex Cap Screw SS	30		2	Deflector Ring
17		3	1/4-20 Hex Locknut SS	31		1	Centering Ring
29		1	Adjustable Deflector				
Item 5				31962 Chute Motor Kit			
24		4	3/8-16 x 1 Flanged Hex Cap Screw SS	32	D6887	1	Spinner Motor, Direct Drive
Item 6				31963 Chute Spinner Shaft Kit – Short			
33		1	Spinner Shaft Coupler	35	31982	1	Bolt Bag – Chute Spinner Shaft Kit
34		1	Spinner Shaft – Short				
Item 7				31964 Chute Spinner Shaft Kit – Long			
35	31982	1	Bolt Bag – Chute Spinner Shaft Kit	37		1	Spinner Shaft – Long
36		1	Spinner Shaft Coupler				
Item 9				31965 Bearing Kit			
19		2	3/8-16 Locknut SS	39		2	3/8-16 x 1-1/2 Hex Cap Screw SS
38	96167	1	Pillow Block Bearing 3/4 Bore	40		2	3/8 Flat Washer SS
Item 10				31970 Chute Label Kit			
41	30917EN	1	Label – No Step	44	32593EN	2	Label – Warning, Multiple Pinch Points
42	11100	1	Label – Warning, Rear Camera	45	92969	1	Label – Chute Disconnect
43	30918EN	1	Label – Warning, GVWR/Loading				
Item 11				99098 Handle Kit – SH			
14		1	Plastic Handle	ns	99099	1	Bolt Bag – Handle Kit SH
Item 35				31982 Bolt Bag – Chute Spinner Shaft Kit			
46		1	5/16-18 x 1/2 Hex Cap Screw SS	49		2	5/16 Flat Washer SS
47		1	5/16-18 x 1-1/2 Hex Cap Screw SS	50		2	5/16-18 Locknut SS
48		1	5/16-18 x 2-1/4 Hex Cap Screw SS				
Item 35				31981 Bolt Bag – Chute Cover Kit			
15		2	1/4-20 x 1 Hex Cap Screw SS	18		4	3/8-16 x 1 Carriage Bolt SS
16		2	1/4 Flat Washer SS	19		4	3/8-16 Locknut SS
17		2	1/4-20 Hex Locknut SS	24		10	3/8-16 x 1 Flanged Hex Cap Screw SS
ns = not shown				SS = Stainless Steel			

RENEGADE™ STAINLESS STEEL HOPPER SPREADERS

CONTROL & ELECTRICAL COMPONENTS



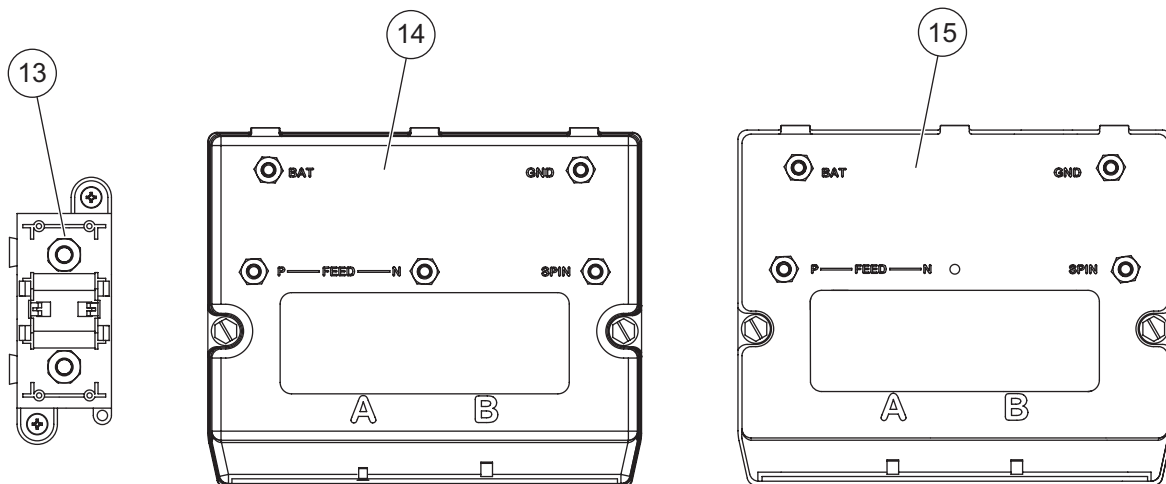
RENEGADE™ STAINLESS STEEL HOPPER SPREADERS

CONTROL & ELECTRICAL COMPONENTS

Cables & Harnessing / Electrical Enclosure Assembly							
Item	Part	Qty	Description	Item	Part	Qty	Description
1	83695*	1	Vehicle-Side Harness – 330" Kit	4	87632	1	Chute Module Side Cable Assembly
	78402**	1	Vehicle-Side Harness – 300" Kit	5	87617	1	Chute Motor Side Cable Assembly
2	83688	1	Hopper Cable Assembly	6	78385	1	Module to Isolated Stud Cable Assy
3	78987	1	Module to Auger Motor Cable Assy				
Item 1 83695* Vehicle-Side Harness Kit – 330"							
7	69902	1	Vehicle Control Harness	11	95836	1	Fuse, 100A
8	83690	1	Vehicle Harness Assy (incl. item 9)	12	31179	1	Fuse Holder/Isolated Stud Block
9	99759	1	Plug Cover	ns		6	Cable Tie, HD
10	22511	1	22" Battery Cable – Red	ns		10	Cable Tie, 14" Black
Item 1 78402** Vehicle-Side Harness Kit – 300"							
7	69902	1	Vehicle Control Harness	11	95836	1	Fuse, 100A
8	76057	1	Vehicle Harness Assy (incl. item 9)	12	31179	1	Fuse Holder/Isolated Stud Block
9	99759	1	Plug Cover	ns		6	Cable Tie, HD
10	22511	1	22" Battery Cable – Red	ns		10	Cable Tie, 14" Black
Electrical Box Components – Auger Spreader							
13	31179	1	Fuse Holder/Isolated Stud Block	14	52375	1	Spreader Module, 5-Post
Electrical Box Components – Chain Spreader							
13	31179	1	Fuse Holder/Isolated Stud Block	15	52385	1	Spreader Module, 4-Post
ns = not shown				G = Grade		SS = Stainless Steel	

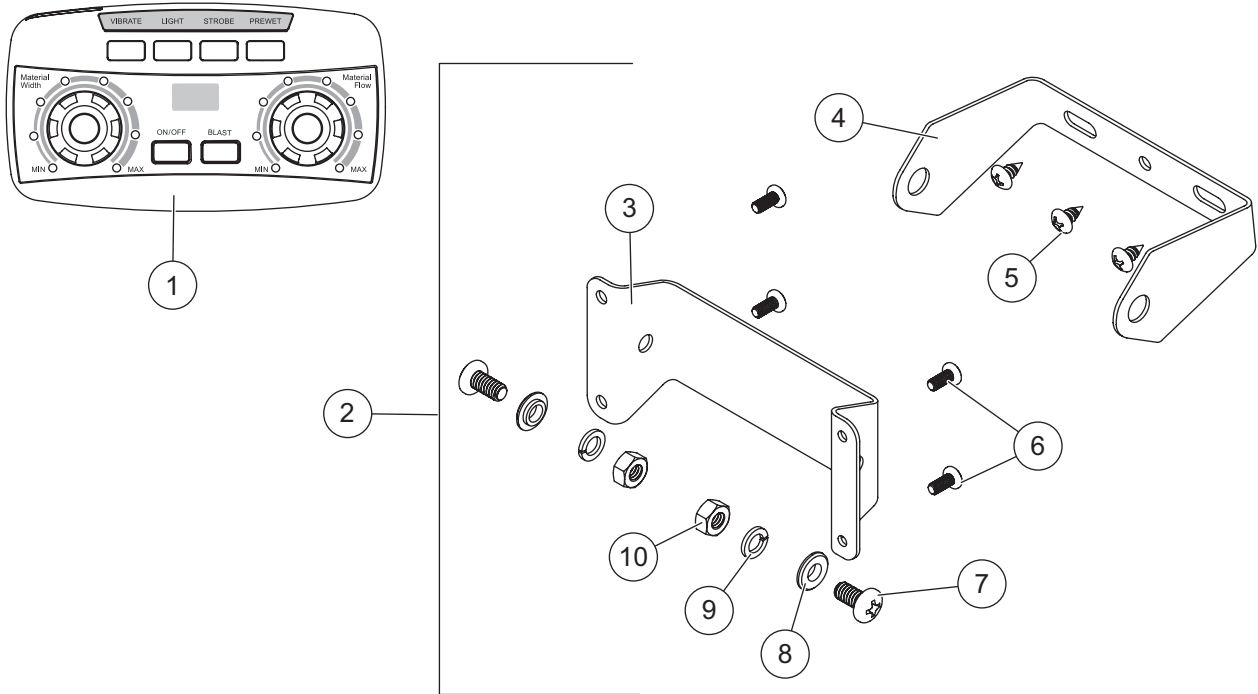
* For 3.0, 4.0, and 5.0 yd³ spreaders.

** For 1.5 and 2.2 yd³ spreaders.



RENEGADE™ STAINLESS STEEL HOPPER SPREADERS

CONTROL & ELECTRICAL COMPONENTS



52430 Cab Control Kit							
Item	Part	Qty	Description	Item	Part	Qty	Description
1	52432	1	Cab Control 2-Knob	2	52345	1	Cab Control Bracket Kit
Item 2				52345 Cab Control Bracket Kit			
3		1	Bracket, Control Inner	7		2	1/4-20 x 5/8 Pan Head Machine Screw SS
4		1	Bracket, Control Outer	8		2	1/4 Shoulder Washer – Black
5		3	#10 x 3/8 Pan Head Tapping Screw SS	9		2	1/4 Lock Washer SS
6		4	#8-32 x 3/8 Phillips Pan Head Machine Screw	10		2	1/4-20 Hex Nut SS
SS = Stainless Steel				G = Grade			

RENEGADE™ STAINLESS STEEL HOPPER SPREADERS

ACCESSORIES

Part	Description	Part	Description
93265-1	Triple Threat, 50 gallon – S150 & S220	93521	Pullover Tarp Kit – S150
93270	Triple Threat, 200 gallon – S300/S400/S500	93522	Pullover Tarp Kit – S220
93275	Triple Threat, 100 gallon expansion – S300/ S400/S500	68790	Ratchet Tie-Down Kit
31210	Rearview Material Monitoring Camera	99690	Tie-Down Kit, SH Chain
93980	50" Side Extension Kit – S150 & S220	76668-1	Vibrator Kit
93985	70" Side Ext. Kit – S300/S400/S500	93990	Inverted V – S150 chain models
93970	50" Spill Guard Kit – S150 & S220	93995	Inverted V – S220 chain models
93975	70" Spill Guard Kit – S300/S400/S500	99505-2	LED Work Light Kit
11763-1	Central Point Grease Kit	99732-2	LED Work Light Kit (auxiliary)
		99494-1	LED Strobe Light Kit

RENEGADE™ STAINLESS STEEL HOPPER SPREADERS



TrynEx International, LLC
531 Ajax Drive
Madison Heights, MI 48071-2429
www.snowexproducts.com

 A DIVISION OF DOUGLAS DYNAMICS, LLC

Copyright © 2026 Douglas Dynamics, LLC. All rights reserved. This material may not be used, reproduced, or copied in any manner, in whole or in part, in any printed, mechanical, electronic, film, or other distribution and storage media, nor analyzed or manipulated in any manner for the purpose of training artificial intelligence technologies or systems, without the written consent of TrynEx International, LLC. In accordance with Article 4(3) of the Digital Single Market Directive 2019/790, TrynEx International expressly reserves this work from the text and data mining exception. Authorization to photocopy items for internal or personal use by TrynEx International outlets or equipment owner is granted.

TrynEx International reserves the right under its product improvement policy to change construction or design details and furnish equipment when so altered without reference to illustrations or specifications used. TrynEx International or the vehicle manufacturer may require or recommend optional equipment for spreaders. Do not exceed vehicle ratings with a spreader. TrynEx International offers a limited warranty for all equipment and accessories. See separately printed page for this important information. The following are registered (®) or unregistered (™) trademarks of Douglas Dynamics, LLC: HELIXX™, Renegade™, SnowEx®.

Printed in U.S.A.