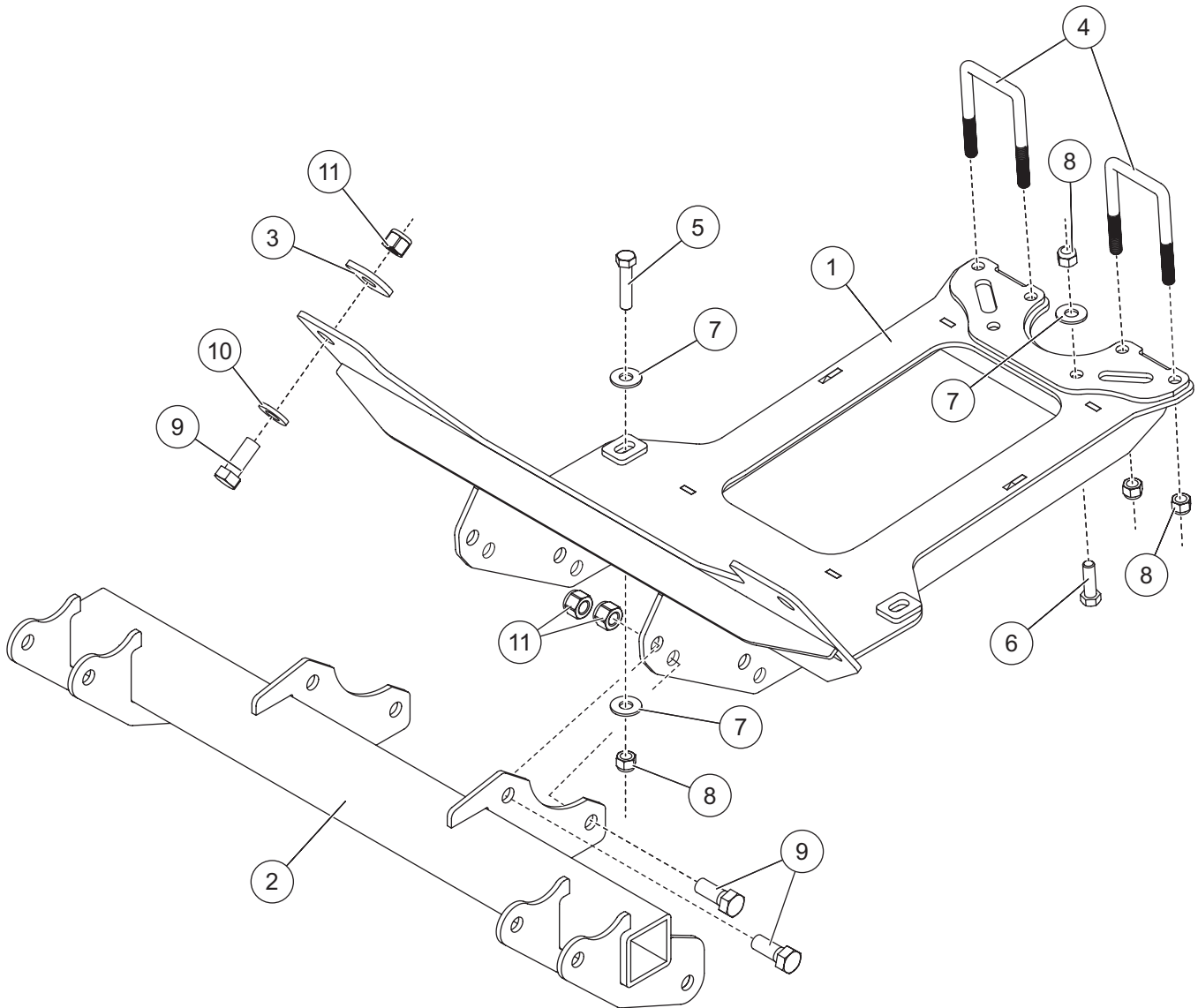


**Mount Kit – Personal Plow
Polaris Ranger 1000 2021–__**

35166

December 15, 2023
Lit. No. 77946, Rev. 01

PARTS LIST



35166 Mount Kit							
Item	Part	Qty	Description	Item	Part	Qty	Description
1	77940	1	Skid Plate Assembly	ns	52565	1	Vehicle Cable Assembly, Long
2	41912	1	Mount Beam	ns	52596	1	Vehicle Control Harness, UTV
3	26284	4	Spacer	ns	61548K	1	Plug Cover Kit
ns	77945	1	Bolt Bag	ns	90730	1	Fuse Kit, 200A
77945 Bolt Bag							
4		2	3/8-16 x 2 x 3-1/2 Square U-Bolt	8		8	3/8-16 Hex Locknut GB
5		2	3/8-16 x 1-3/4 Hex Cap Screw G5	9		8	1/2-13 x 1-1/4 Hex Cap Screw G5
6		2	3/8-16 x 1-1/4 Hex Cap Screw G5	10		4	1/2 Flat Washer Hardened Type 1
7		6	3/8 Flat Washer Type A Wide	11		8	1/2-13 Hex Locknut GB
ns = not shown				G = Grade			

Copyright © 2023 Douglas Dynamics, LLC. All rights reserved. This material may not be reproduced or copied, in whole or in part, in any printed, mechanical, electronic, film, or other distribution and storage media, without the written consent of the company. Authorization to photocopy items for internal or personal use by the company's outlets or snowplow owner is granted.

The company reserves the right under its product improvement policy to change construction or design details and furnish equipment when so altered without reference to illustrations or specifications used. This equipment manufacturer or the vehicle manufacturer may require or recommend optional equipment for snow removal. Do not exceed vehicle ratings with a snowplow. The company offers a limited warranty for all snowplows and accessories. See separately printed page for this important information.

Printed in U.S.A.
