



10'6"

MVP 3™ Snowplows

Mild Steel Blades 74499

Stainless Steel Blades 74699

**Center Assembly 74500-3, 74500-4, 74500-5,
74600-3, 74600-4, 74600-5**

**Center Assembly, Central Hydraulics 74510-3,
74510-4, 74510-5**

Parts List

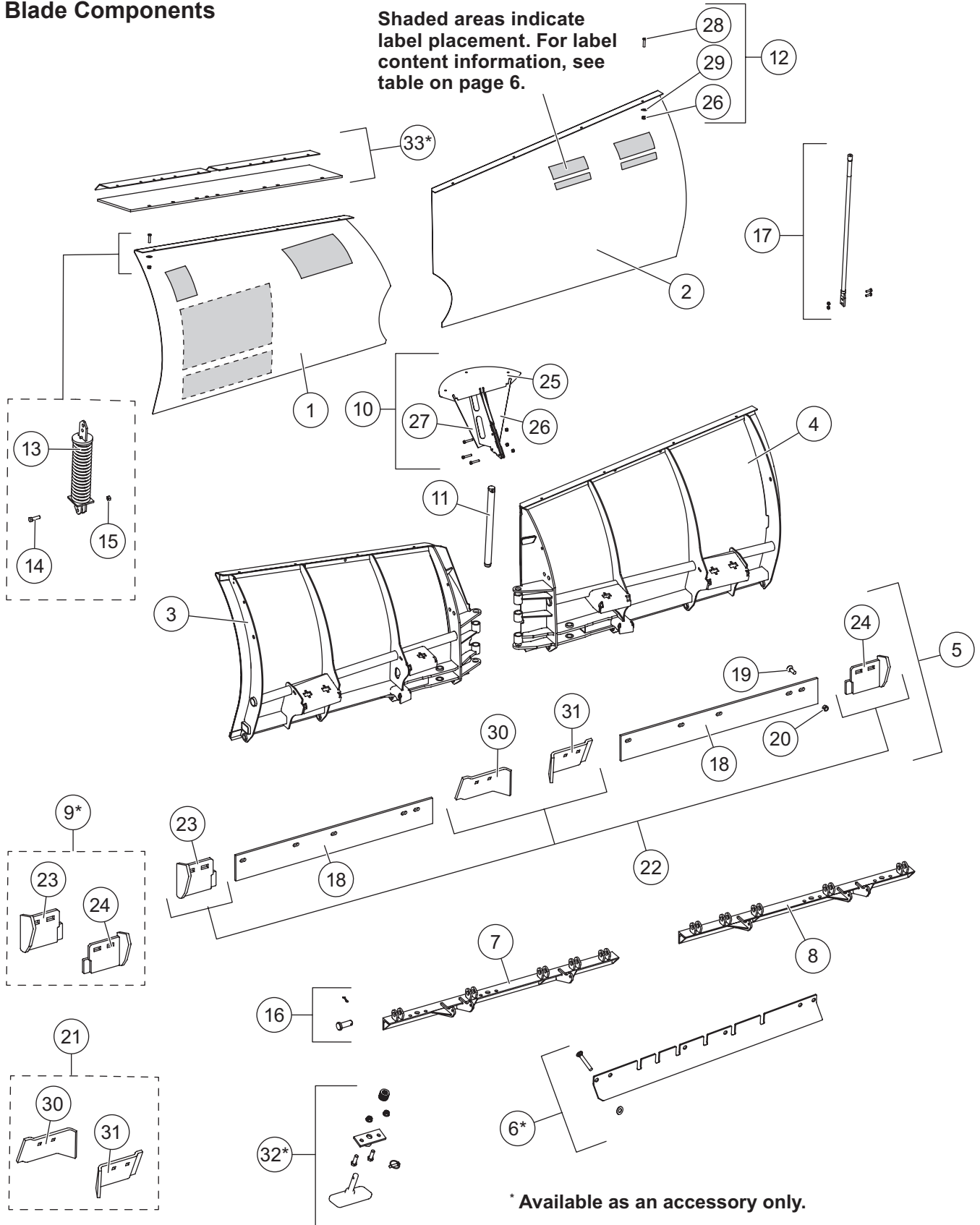


TABLE OF CONTENTS

MVP 3™ BLADE COMPONENTS	4
MVP 3 CENTER ASSEMBLY	7
Lift Frame and T-Frame Components.....	7
Hydraulic Unit Components	9
Hydraulic Unit Cover Assembly	11
Lift and Angle Ram Components.....	12
Hoses and Fittings	13
Electrical Components.....	14
Vehicle-Side Wiring Diagram – 3-Port, 2-Plug System.....	15
Vehicle-Side Wiring Diagram – Central Hydraulics	16
Headlamp Kits.....	17–18

MVP 3™ BLADES 74499/74699

Blade Components



* Available as an accessory only.

MVP 3™ BLADES 74499/74699

74499 / 74699 MVP 3 Blade							
Item	Part	Qty	Description	Item	Part	Qty	Description
1	85680	1	Moldboard Kit (MS) w/Fasteners & Labels ‡ – DS	8	85667	1	Base Angle – PS
	85681	1	Moldboard Kit (SS) w/Fasteners & Labels ‡ – DS	9*	80295	1	Cutting Edge/Curb Guard Kit
2	85682	1	Moldboard Kit (MS) w/Fasteners & Labels ‡ – PS	10	85670	1	Center Snow Control Kit
	85683	1	Moldboard Kit (SS) w/Fasteners & Labels ‡ – PS	11	49844	1	Main Pivot Pin
3	85684	1	Frame Base Angle & Spring Assy – DS	12	43890	1	Moldboard (MS) Fasteners Kit
4	85685	1	Frame Base Angle & Spring Assy – PS		43289	1	Moldboard (SS) Fasteners Kit
5	85535	1	1/2 Cutting Edge Kit	13	21452	1	Removable Spring Assembly
5*†	86892	1	5/8 Cutting Edge Kit	14	91000	2	7/16-14 x 1/2 x 1-5/8 Shoulder Bolt
6*	44283-4	1	Back Drag Edge Kit	15	90353	2	7/16-14 Hex Locknut GB
7	85666	1	Base Angle – DS	16	43745	10	1 x 2-3/4 Clevis Pin Kit
				17	62595	1	Blade Guide Kit
				ns	80298	1	Bolt Bag, Cutting Edge/Curb Guard
				ns	44763	2	Bolt Bag – Cutting Edge Kits (1 side)
Item 5†				85535 1/2 Cutting Edge Kit			
18	44898	2	1/2 Cutting Edge	21		1	1/2 Center Cutting Edge Kit
19		10	5/8-11 x 2 Carriage Bolt G5	22	85533	1	Center Edge/Curb Guard Kit
20		10	5/8-11 Hex Locknut GB				
Item 5*†				86892 5/8 Cutting Edge Kit			
ns	85356	2	5/8 Cutting Edge	20		10	5/8-11 Hex Locknut GB
9*	80295	1	Cutting Edge/Curb Guard Kit	ns	85357	1	5/8 Center Cutting Edge Kit
19		10	5/8-11 x 2 Carriage Bolt G5				
Item 9*				80295 Cutting Edge/Curb Guard Kit			
23	86663	1	Curb Guard – DS	24		1	Curb Guard – PS
Item 10				85670 Center Snow Control Kit			
25		1	Center Deflector	27		3	3/8-16 x 2 Hex Cap Screw G5
26		3	3/8-16 Hex Locknut GB				
Item 12				43890 Moldboard (MS) Fasteners Kit			
26		8	3/8-16 Hex Locknut GB	29		8	3/8 Hardened Washer
28		8	3/8-16 x 1 Button Cap Screw				
Item 12				43289 Moldboard (SS) Fasteners Kit			
ns		8	3/8-16 x 1 Button Cap Screw SS	29		8	3/8 Hardened Washer
ns		8	3/8-16 Hex Locknut Brass				
Item 21				44894-1 1/2 Center Cutting Edge Kit			
ns		4	5/8-11 x 2 Carriage Bolt G5	30	44891-1	1	Center Cutting Edge – DS
ns		4	5/8-11 Hex Locknut GB	31	44890-1	1	Center Cutting Edge – PS
Item 22				85533 1/2 Center Edge/Curb Guard Kit			
9	80295	1	Cutting Edge/Curb Guard Kit	21		1	1/2 Center Cutting Edge Kit
				85357* 5/8 Center Cutting Edge Kit			
ns	85351	1	5/8 Center Cutting Edge – DS	ns		4	5/8-11 x 2 Carriage Bolt G5
ns	85352	1	5/8 Center Cutting Edge – PS	ns	91337	4	5/8-11 Hex Locknut GB
Blade Accessories							
32*	43088	–	Standard Shoe Kit (set of 2)	ns	43620*	–	Bolt Bag – Rubber Deflector
ns	86871*	–	High Wear Shoe (set of 2)	ns	31479*	–	Label Kit – Complete Blade, SS
33	98705	–	Rubber Deflector Kit – 10"	ns	86897*	–	Carbide Cutting Edge Kit
ns	98735*	–	Rubber Deflector Kit – 18"	ns	97190*	–	Poly Cutting Edge Kit
MS = Mild Steel		SS = Stainless Steel		G = Grade		ns = not shown	

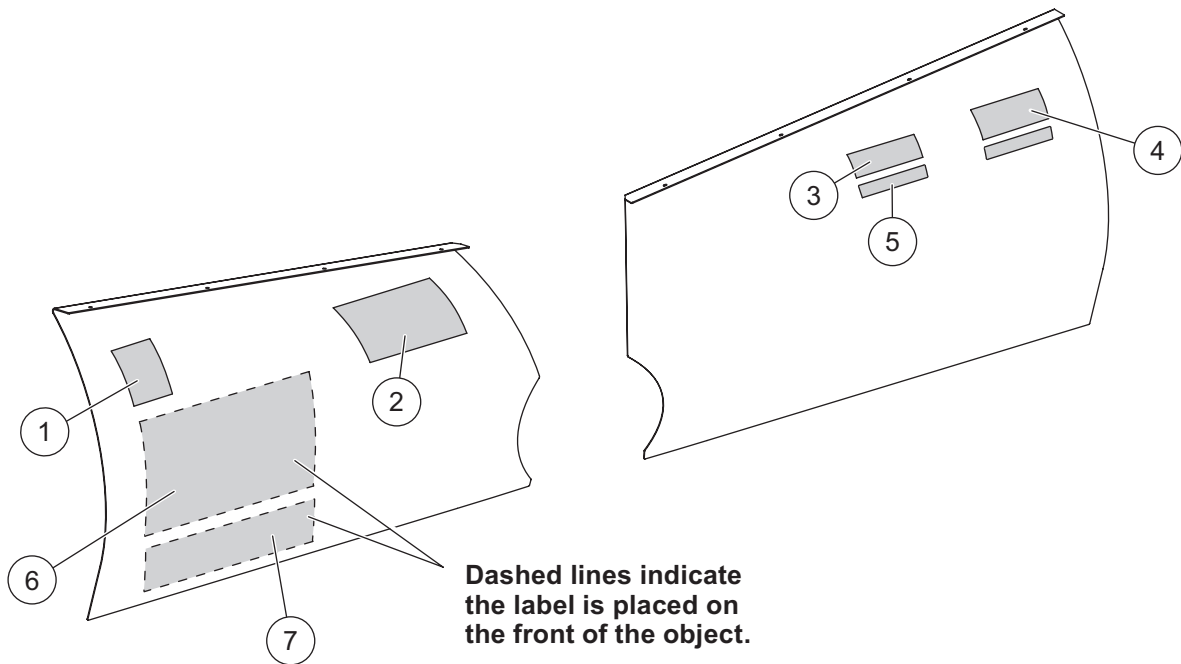
* Available as an accessory only.

† Includes Curb Guard Kit.

‡ See page 6 for label information.

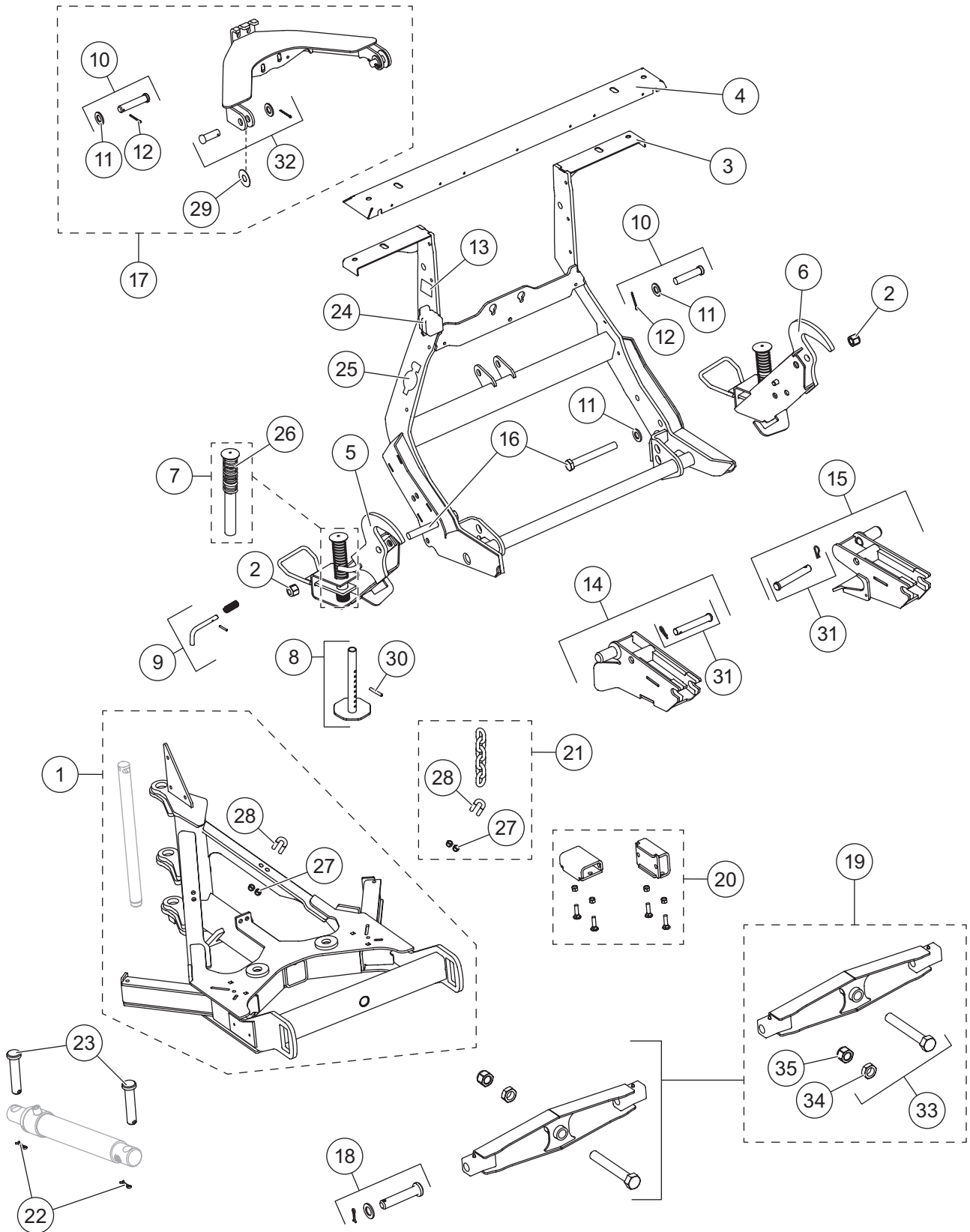
MVP 3™ BLADES 74499/74699

Labels							
Item	Part	Qty	Description	Item	Part	Qty	Description
1	59900	1	Label – Warning/Caution, Snowplows	6	40986	1	Label – Logo, CONTRACTOR GRADE®
2	43360	1	Label – Attach/Detach, UltraMount® 2	7	43899	1	Label – Logo, Clear (SS moldboard) CONTRACTOR GRADE
3	41696	1	Label – Logo, MVP 3	8	94570	1	Label – Logo, MVP 3 (MS Moldboard)
4	44451	1	Label – Logo, WESTERN® 8.31"	9	99795	1	Label – Logo, MVP 3 (SS Moldboard)
5	28404	1	Label – Logo, ULTRAFINISH™ (MS)				



**MVP 3™ CENTER ASSY 74500-3/74500-4/74500-5/74510-3(CH)/
74510-4(CH)/74510-5(CH)/74600-3/74600-4/74600-5**

Lift Frame and T-Frame Components



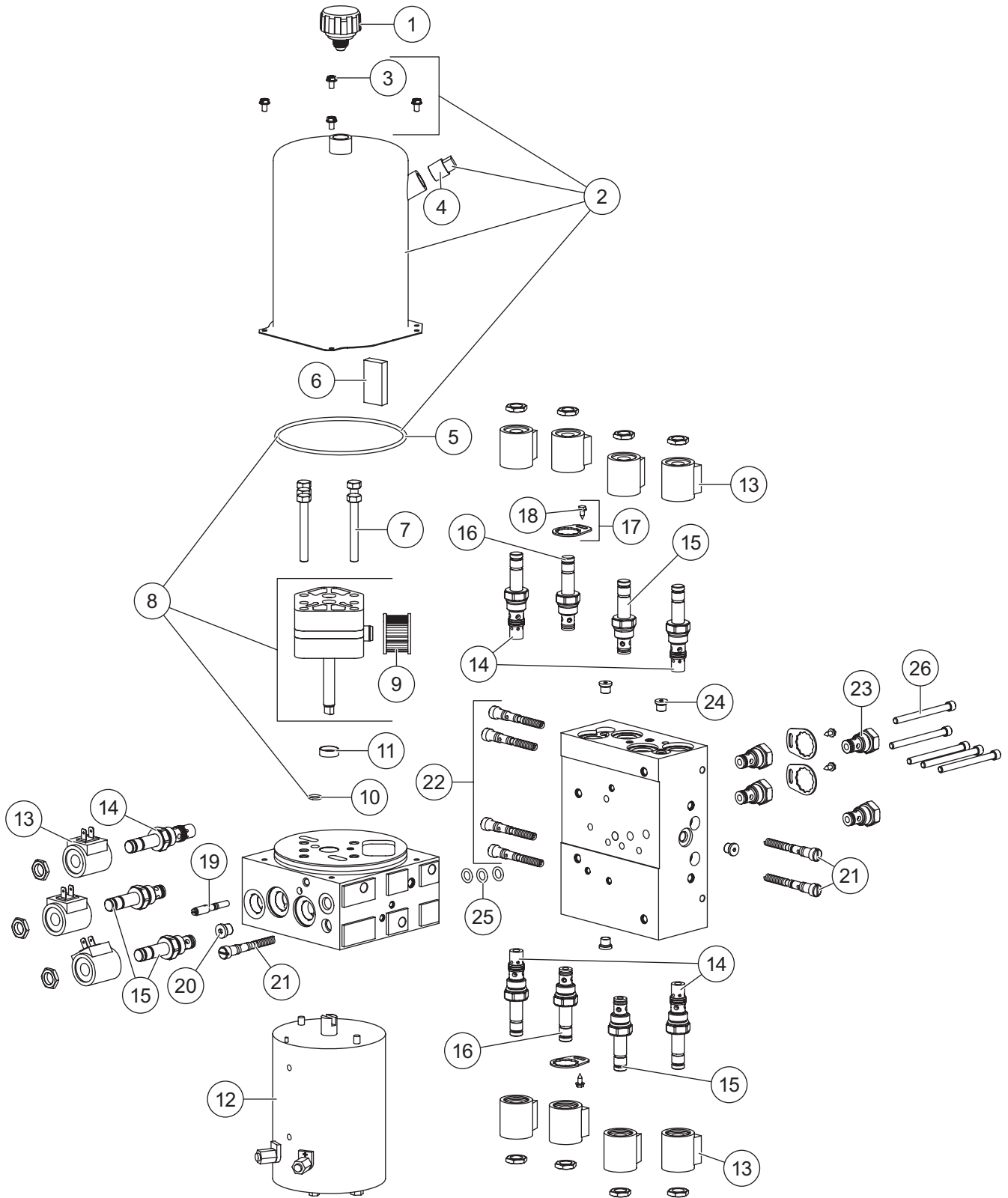
**MVP 3™ CENTER ASSY 74500-3/74500-4/74500-5/74510-3(CH)/
74510-4(CH)/74510-5(CH)/74600-3/74600-4/74600-5**

MVP 3 Lift Frame and T-Frame Components							
Item	Part	Qty	Description	Item	Part	Qty	Description
1	85686-1	1	T-Frame Service Kit	13**	69689	1	Label – Logo, SECURITY GUARD™
2	91338	2	3/4-10 Hex Locknut GB	14	96294	1	Receiver Kit, Heavy Duty – DS
3	85687	1	Lift Frame Service Kit	15	96295	1	Receiver Kit, Heavy Duty – PS
4	43302	1	Light Channel, Red	16	66451	2	3/4-10 x 6 Hex Cap Screw G5
	74401	1	Light Channel, Silver	17	43304	1	Lift Arm Kit
5	92124	1	Stand Assembly, Heavy Duty – DS (incl. item 7)	18	49645	2	1 x 4-3/4 Clevis Pin Kit
6	92125	1	Stand Assembly, Heavy Duty – PS (incl. item 7)	19	67842-1	1	Pivot Bar Kit
7	48523	1	Plunger w/Spring	20	43153	1	Stacking Stop Kit
8	67847	2	Stand Shoe Kit	21	49033	2	1/4 Grade 43 Chain Assembly
9	67844	2	Stand Lock Pin Kit	22	90601	4	1/4 x 1-1/2 Cotter Pin
10	68740	1	3/4 x 3-1/2 Clevis Pin Kit	23	22260	4	1 x 4-3/4 Clevis Pin
11	91147	6	3/4 Flat Washer	24	61246	1	Cable Boot
12	91911K	4	5/32 x 1-1/2 Cotter Pin	25	43358	2	Label – Logo, UltraMount® 2
				26	67636	2	Spring Lock Stand
Item 1 85686-1 T-Frame Service Kit							
		1	T-Frame	27	91333	4	3/8-16 Hex Locknut GB
	49844	1	Pivot Pin (shown w/blade components)	28	90453	2	3/8-16 x 1-1/2 U-Bolt G5
Item 3 85687 Lift Frame Service Kit							
		1	Lift Frame	25	43358	2	Label – Logo, UltraMount 2
13**	69689	1	Label – Logo, SECURITY GUARD	29		2	UHMW Round Flat Washer, Special
Item 8 67847 Stand Shoe Kit							
		1	Stand Shoe	30	67635	1	1/4 x 2 Roll Pin BP
Item 10 68740 3/4 x 3-1/2 Clevis Pin Kit							
		1	3/4 x 3-1/2 Clevis Pin	12	91911K	1	5/32 x 1-1/2 Cotter Pin
11	91147	1	3/4 Flat Washer				
Item 14 96294 Receiver Kit, Heavy Duty – DS							
		1	Receiver – DS	31	84611	1	Receiver Pin Kit
Item 15 96295 Receiver Kit, Heavy Duty – PS							
		1	Receiver – PS	31	84611	1	Receiver Pin Kit
Item 17 43304 Lift Arm Kit							
		1	Lift Arm	29		2	UHMW Round Flat Washer, Special
10	68740	1	3/4 x 3-1/2 Clevis Pin Kit	32	43351	2	3/4 x 2 Clevis Pin Kit
Item 19 67842-1 Pivot Bar Kit							
		1	Pivot Bar	33	67855	1	Pivot Bolt Kit
Item 21 49033 1/4 Grade 43 Chain Assembly (2 per snowplow)							
		1	1/4 x 42 Grade 43 Chain	28	90453	1	3/8-16 x 1-1/2 U-Bolt G5
27	91333	2	3/8-16 Hex Locknut GB	ns		1	Plastic Tube
Item 31 84611 Receiver Pin Kit							
		1	R-Pin Cotter			1	3/4 Clevis Pin
Item 33 67855 Pivot Bolt Kit							
		1	1-8 x 7 Hex Cap Screw G5	35		1	1-8 Hex Locknut GB
34		1	1-8 Hex Jam Nut G5				
ns = not shown				G = Grade			

** Not used for central hydraulics.

MVP 3™ CENTER ASSEMBLY

Hydraulic Unit Components



MVP 3™ CENTER ASSEMBLY

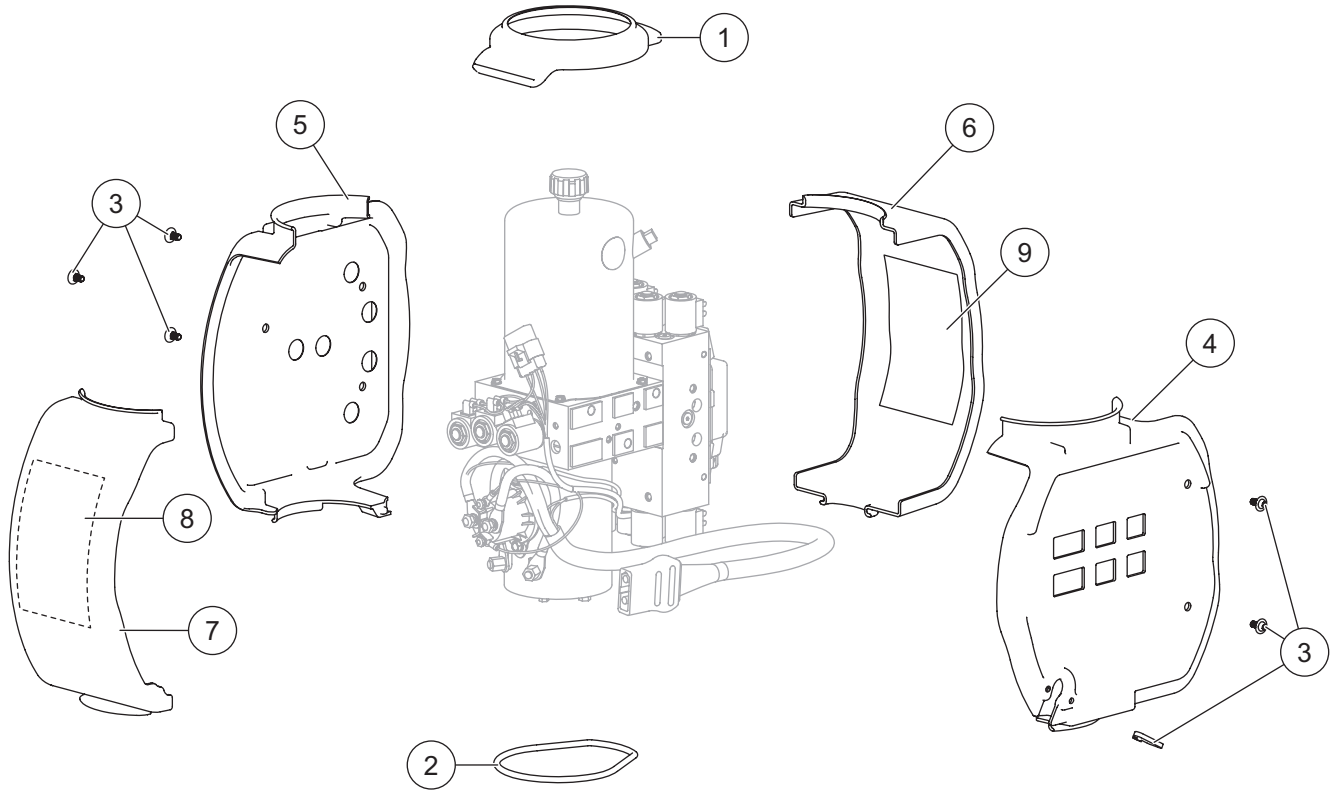
44320† MVP 3 Hydraulic Unit Components 48257‡ Hydraulic Unit Service Kit (not used for central hydraulics)							
Item	Part	Qty	Description	Item	Part	Qty	Description
1	21727-2K	1	Breather Pressure Control	17	44369	4	Valve Lock Ring w/Screw
2	44327-3	1	Reservoir Kit (incl. items 3–5)	18	63943	4	#8-18 x 3/8 Tapping Screw
3	66607	4	#10-24 x 5/16 Machine Screw	19	48517	1	Quill Assembly, 1/2-20 Thread
4	92079	1	Plug, Square 3/8 NPTF	20	44344	1	Plug, Hex Socket –4 M ORB
5	66519	1	O-Ring 2-250	21	49138K-5	1-1/2	Relief Valve Kit (2 sets)
6	73897	1	Magnet	22	44338	2	Relief Valve Kit (2 sets)
7	90080	5	5/16-18 x 2-1/2 Hex Cap Screw G5	23	44334-1	4	Check Valve CV08-20
8	44328-2	1	Pump Kit (incl. items 5, 9, and 10)	24	92960	4	Plug, Hex Socket –3 M ORB
9	56789-5	1	Suction Filter	25	29077	3	O-Ring -110
10	56274	1	O-Ring -013	26	29081	5	1/4-20 x 3 Socket Cap Screw
11	66515	1	Pump Shaft Seal	ns	29099	2	1/4-20 x 1/4 Hex Washer-Head Thread-Rolling Screw
12	21500-1	1	Motor Assembly, 4-1/2	ns	44326	1	1/4-20 x 1/2 6-Lobe Round Washer-Head Screw (pkg of 5)
13	49230K-2	11	Coil w/Spade Terminals	ns	44355	2	1/4-20 x 5/8 Hex Washer-Head Thread-Rolling Screw
14	44332	5	Valve SVCV08-20 w/Nut				
15	49227K-2	4	Valve SV08-2004 w/Nut				
16	44336	2	Valve SF08-2015 w/Nut				
O-Ring Service Kits							
–	56657-6‡	–	Back-Up/O-Ring Kit	–	49259-2	–	Seal Kit – Valves SV08-30, -31, -33, -40, -43, and SVCV08-20
–	49258-2	–	Seal Kit – Valves SV08-2004, CV08-20, SF08-2015				
ns = not shown		M = Male		G = Grade			

† Includes 48175 hydraulic unit cover assembly (p. 11), and plow-side electrical components (p. 14).

‡ Does not contain O-rings for cartridge valves.

MVP 3™ CENTER ASSEMBLY

Hydraulic Unit Cover Assembly

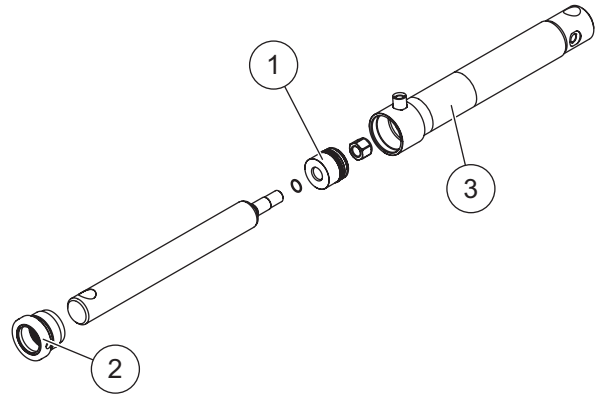
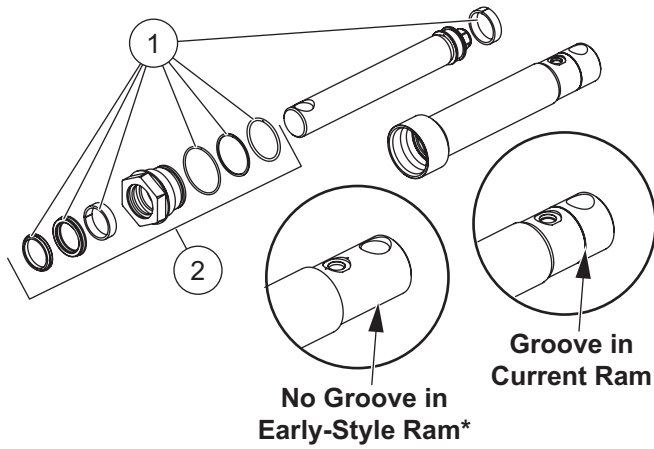


48175 Hydraulic Unit Cover Assembly							
Item	Part	Qty	Description	Item	Part	Qty	Description
1	44352	1	Top Retainer Ring	7	44304	1	Cover, Side 4
2	44366	1	Bottom Retainer Ring	8	44310	1	Label – Information (S1–S3)
3	44326	1	1/4-20 x 1/2 6-Lobe Round Washer-Head Screw (pkg of 5) w/8" Cable Tie	9	44319	1	Label – Information (S4–S11)
4		1	Cover, Side 1	ns	61536	1	Cable Tie 14"
5		1	Cover, Side 2	ns	43223	1	Label – Information, MVP 3 Hydraulic Unit
6	44303	1	Cover, Side 3				

ns = not shown

**MVP 3™ CENTER ASSY 74500-3/74500-4/74500-5/74510-3(CH)/
74510-4(CH)/74510-5(CH)/74600-3/74600-4/74600-5**

Lift and Angle Ram Components



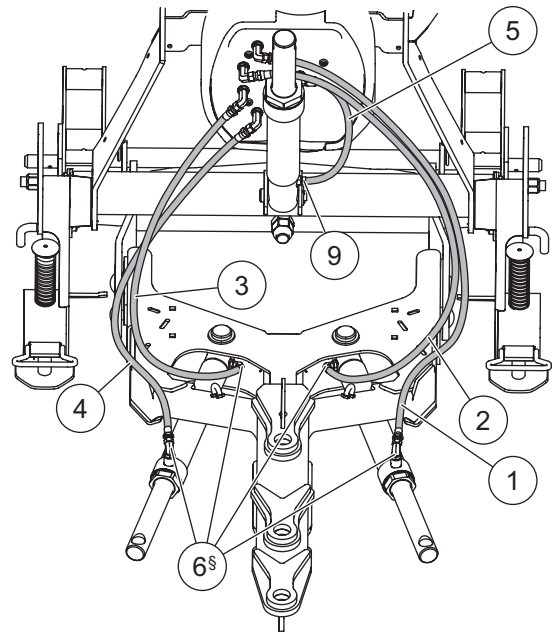
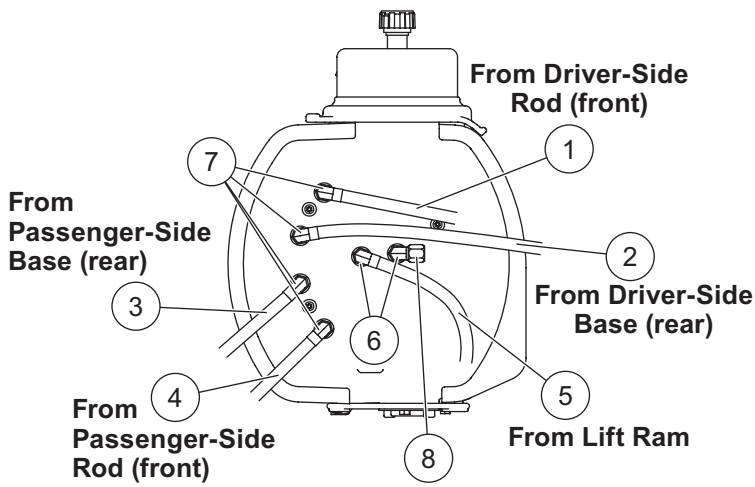
43149-1 Lift Ram Assembly 1-3/4 x 8			
Item	Part	Qty	Description
1	77924	1	Seal Kit
2	43135	1	Gland Nut Assembly

* Early-style lift rams are obsolete and should be replaced with current-style lift ram.

89361 Angle Ram Assembly 2 x 11 DA			
Item	Part	Qty	Description
1	81877	1	Piston Assembly
2	81871	1	Gland Nut Assembly
3	68675	1	Label – Logo, UltraLock Double-Acting Cylinder

**MVP 3™ CENTER ASSY 74500-3/74500-4/74500-5/74510-3(CH)/
74510-4(CH)/74510-5(CH)/74600-3/74600-4/74600-5**

Hoses and Fittings

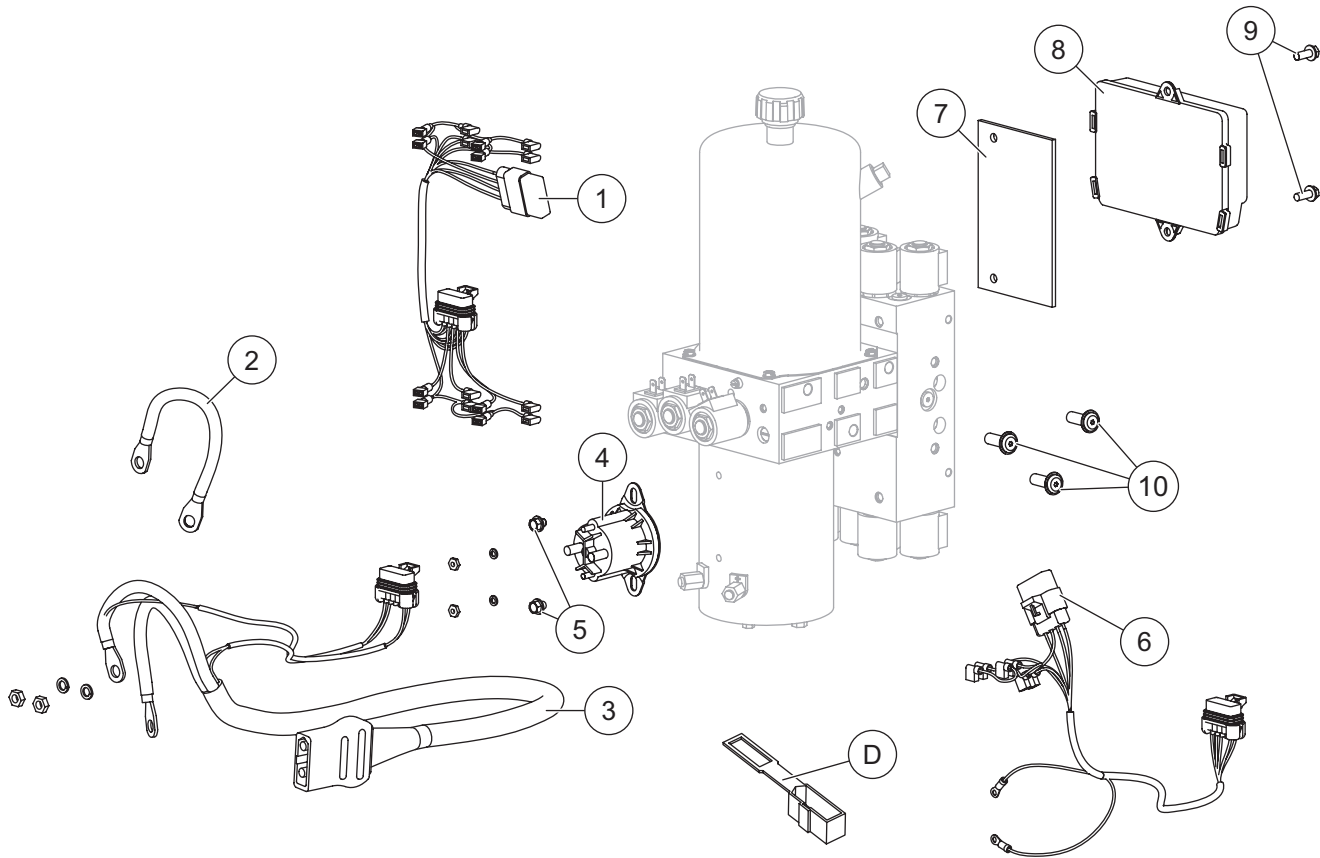


Hoses and Fittings							
Item	Part	Qty	Description	Item	Part	Qty	Description
1	56616-1	1	Hose, 1/4 x 42 w/F JIC Ends	7	64212-1	4	Elbow, Extra Long 90° -6 M JIC/ -6 M ORB
2	44350	1	Hose, 3/8 x 45 w/F JIC Ends	8	44346	1	Drain Cap, -6 F JIC
3	44351	1	Hose, 3/8 x 38 w/F JIC Ends	9	43750	1	Connector, Short -6 M JIC/-6 M ORB
4	56599	1	Hose, 1/4 x 36 w/F JIC Ends	ns	56823	2	Hose Wrap, Polyethylene
5	41094	1	Hose, 1/4 x 18 w/F JIC Ends	ns	98043	3	3/8-16 x 1 Button Cap Screw
6§	56615-1	6	Elbow, 90° -6 M JIC/-6 M ORB				
			F = Female			ns = not shown	M = Male

§ Also used for central hydraulics, qty 5.

MVP 3™ CENTER ASSY 74500-3/74500-4/74500-5/74510-3(CH)/ 74510-4(CH)/74510-5(CH)/74600-3/74600-4/74600-5

Electrical Components



Plow-Side Electrical Components							
Item	Part	Qty	Description	Item	Part	Qty	Description
1	28583	1	Harness Plow Control, 8-Solenoid	8	44354-3	1	Plow Module
2	29071	1	Cable Assembly 8"	9	44355	2	1/4-20 x 5/8 Hex Washer-Head Thread-Rolling Screw
3	42015	1	Snowplow Battery Cable	10	98043	3	3/8-16 x 1 Button Cap Screw
4	42902	1	Motor Relay Kit FLEET FLEX System	ns	56099	1	Dielectric Grease
5	29099	2	1/4-20 x 1/4 Hex Washer-Head Thread-Rolling Screw	ns		4	Fuse, 4A Mini Automotive-Style (for items 1 and 6)
6	28581-1	1	Harness Plow Control, 3-Solenoid				
7	44308	1	Spacer Module				

ns = not shown

Vehicle-Side Electrical Components (Diagrams on following pages.)							
Item	Part	Qty	Description	Item	Part	Qty	Description
A*†	72527	1	Vehicle Battery Cable	D	61548K	1	Plug Cover Kit (shown w/plow-side electrical components)
B*	28587	1	Vehicle Control Harness	E	29998	1	Fuse Cover (pkg of 5)
C§	26498	1	Vehicle Control Harness – Central Hydraulics	F*§	90730	1	200A Fuse Kit

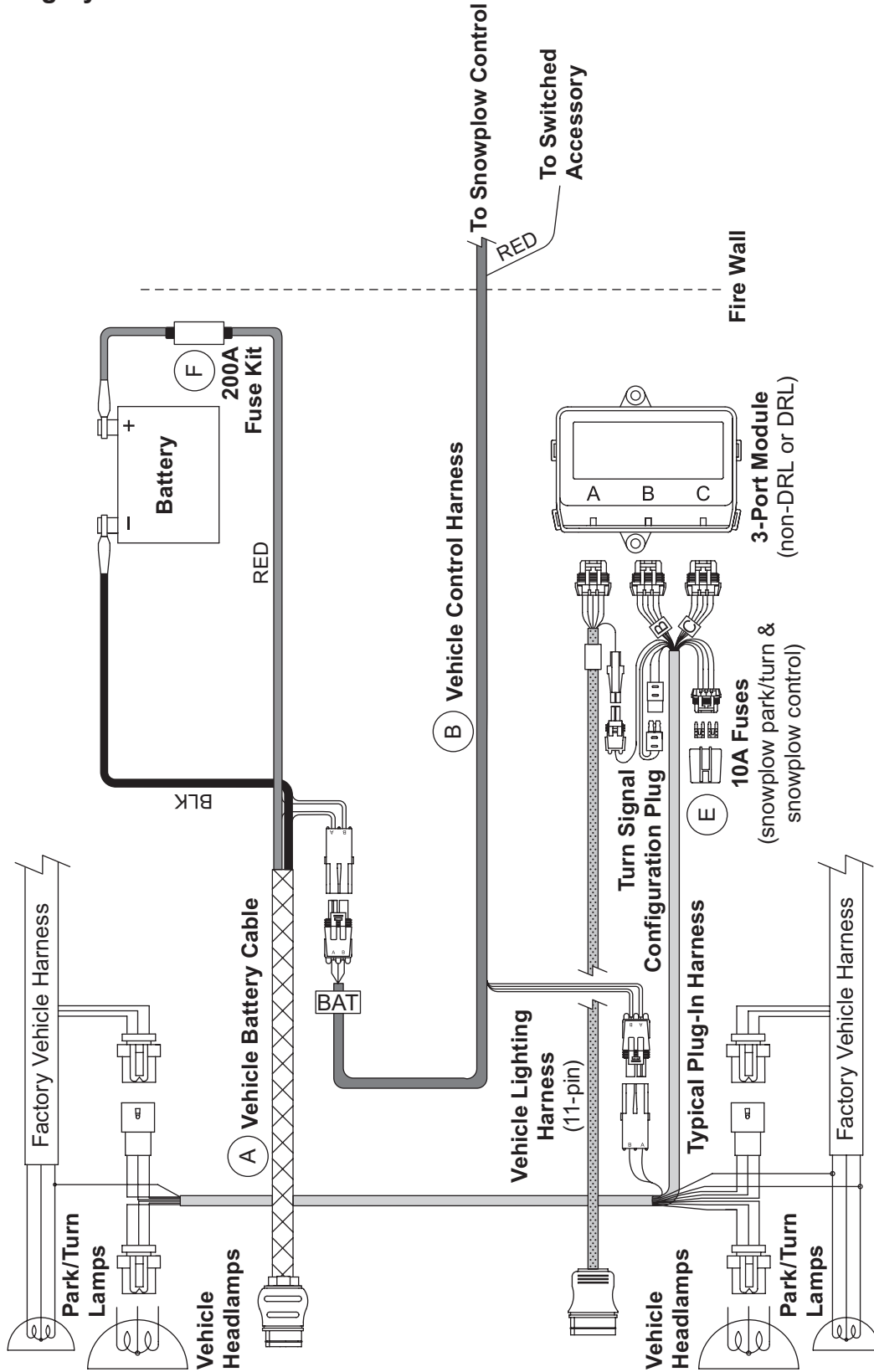
* See Vehicle-Side Harness Diagram – 3-Port, 2-Plug System.

§ See Vehicle-Side Harness Diagram – Central Hydraulics.

† Not used for central hydraulics.

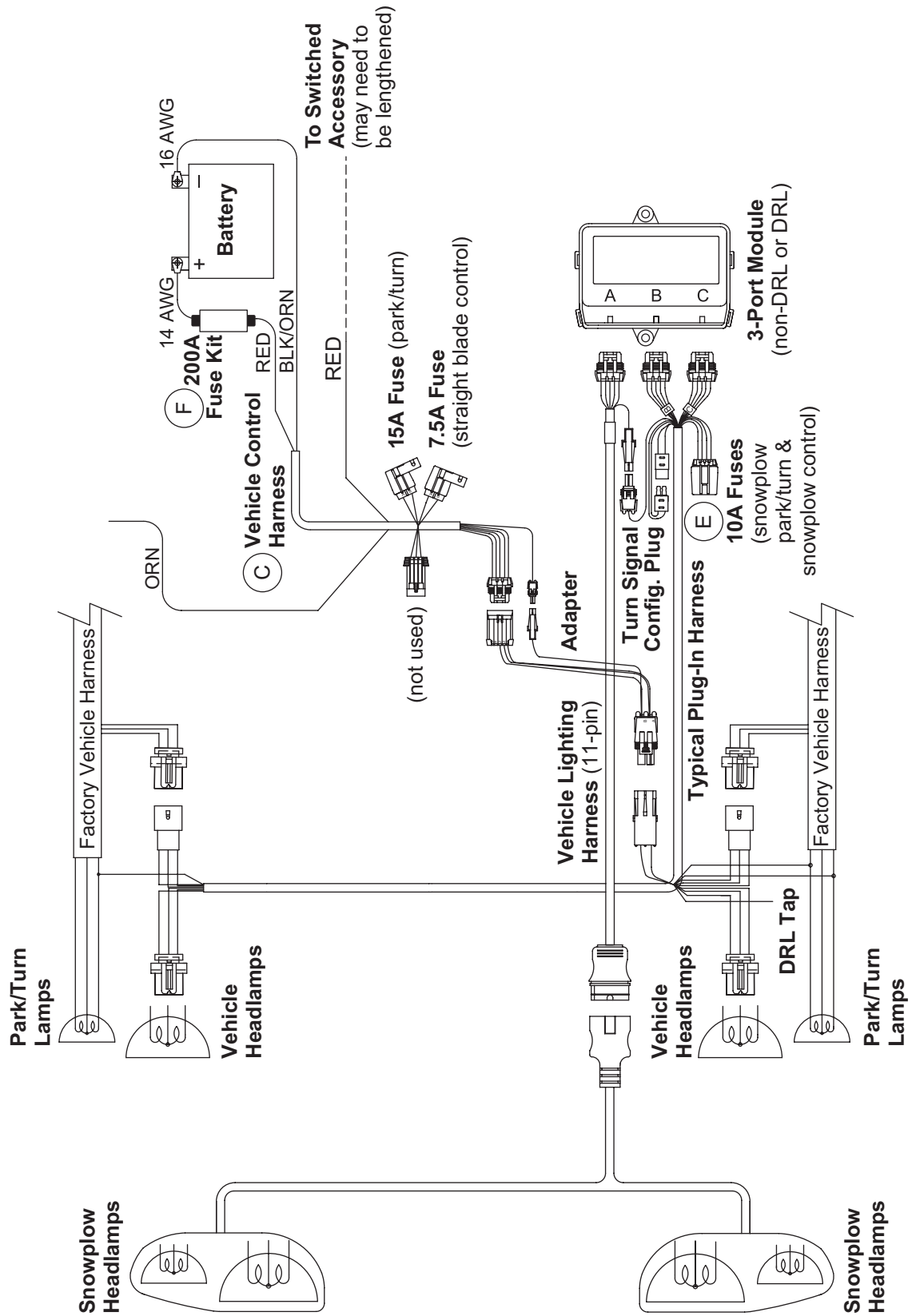
MVP 3™ CENTER ASSEMBLY

Vehicle-Side Harness Diagram 3-Port, 2-Plug System



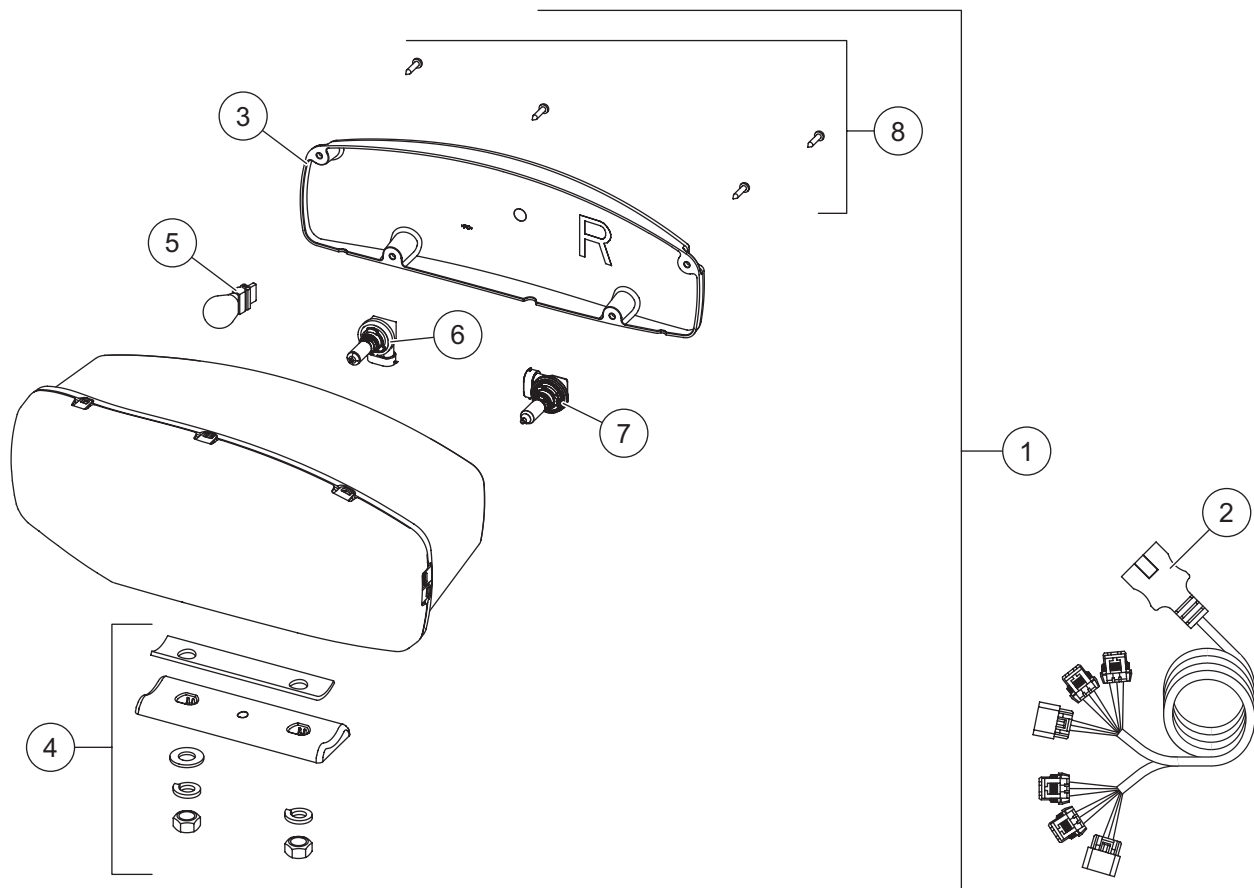
MVP 3™ CENTER ASSEMBLY

Vehicle-Side Harness Diagram – Central Hydraulics



MVP 3™ CENTER ASSEMBLY 74500-3/74510-3/74600-3

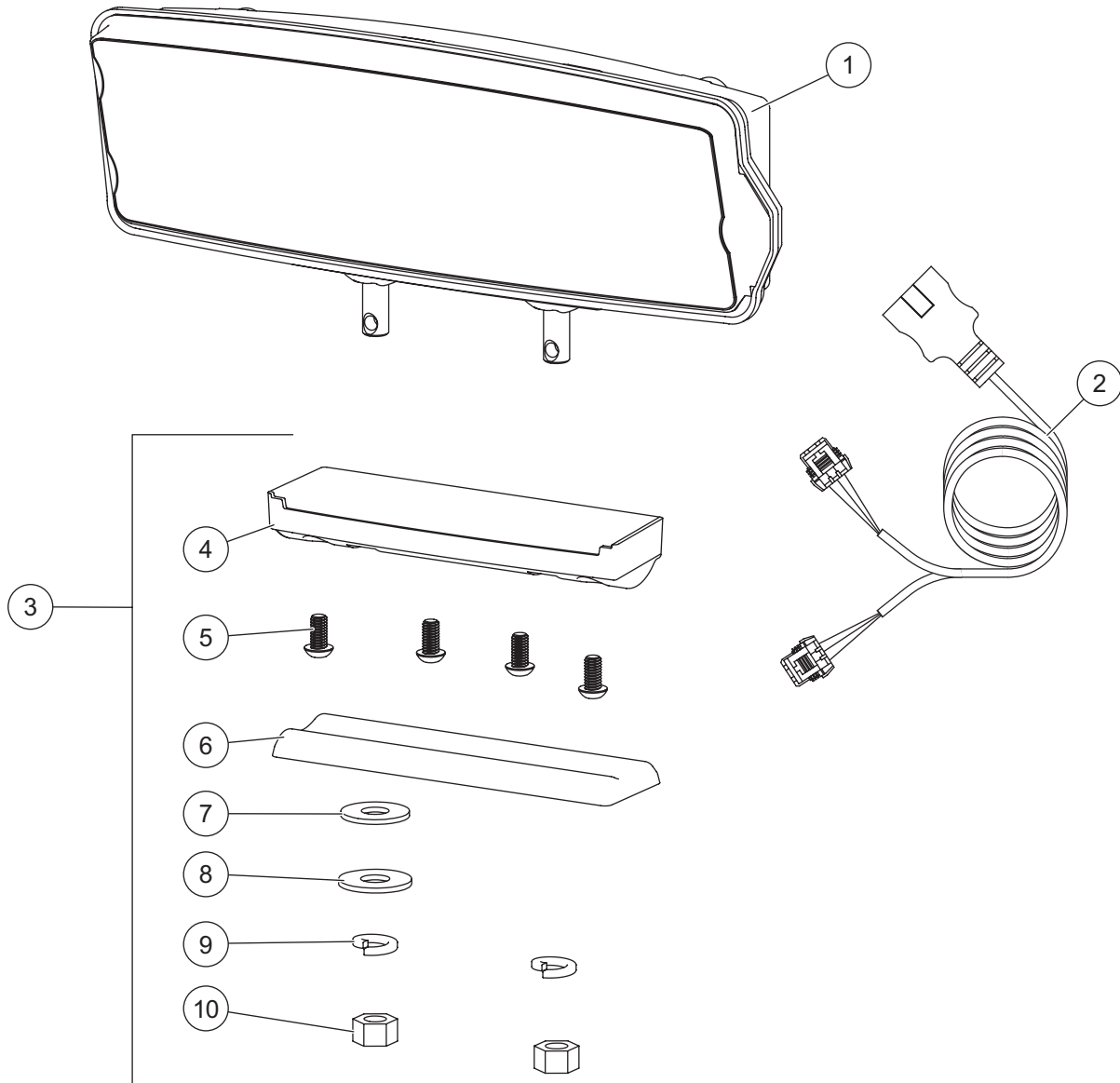
Headlamp Kit – Halogen



38800 Headlamp Kit H9/H11 (pair)							
Item	Part	Qty	Description	Item	Part	Qty	Description
1	38802	1	Headlamp Service Kit H9/H11 – PS	2	38807	1	Harness Service Kit H9/H11
ns	38801	1	Headlamp Service Kit H9/H11 – DS				
Item 1	38801/38802 Headlamp Service Kit H9/H11 – PS/DS						
3	38803	1	Rear Cover Kit H9/H11 – PS	6	38811	1	Headlamp Bulb Service Kit H11
ns	38812	1	Rear Cover Kit H9/H11 – DS	7	38809	1	Headlamp Bulb Service Kit H9
4	38804	1	Mounting Hardware Kit H9/H11	8	38808	1	Cover Screws Service Kit H9/H11 (pkg of 4)
5		1	Park/Turn Bulb (trade no. 4157NAK)				
ns = not shown							

MVP 3™ CENTER ASSEMBLY 74500-3/74510-3/74600-3

Headlamp Kit – LED



Headlamp Kit LED							
Item	Part	Qty	Description	Item	Part	Qty	Description
1	39901	1	Headlamp Service Kit LED – DS	3	39903	1	Mounting Hardware Kit LED
ns	39902	1	Headlamp Service Kit LED – PS	ns	72512	1	LED Harness Connector Cover (pkg of 2)
2	72548	1	Harness Service Kit LED				
Item 3				39903 Mounting Hardware Kit LED			
4		1	Plastic Casing	8		1	1/2 Flat Washer
5		4	1/4 Button Cap Screw	9		2	1/2 Lock Washer
6		1	Headlamp Swivel	10		2	1/2 Hex Nut
7		1	1/2 Rubber Washer	ns		1	Metal Insert

ns = not shown



Western Products
PO Box 245038
Milwaukee, WI 53224-9538
www.westernplows.com

 A DIVISION OF DOUGLAS DYNAMICS, LLC

Copyright © 2024 Douglas Dynamics, LLC. All rights reserved. This material may not be reproduced or copied, in whole or in part, in any printed, mechanical, electronic, film, or other distribution and storage media, without the written consent of Western Products. Authorization to photocopy items for internal or personal use by Western Products outlets or snowplow owner is granted.

Western Products reserves the right under its product improvement policy to change construction or design details and furnish equipment when so altered without reference to illustrations or specifications used. Western Products or the vehicle manufacturer may require or recommend optional equipment for snow removal. Do not exceed vehicle ratings with a snowplow. Western Products offers a limited warranty for all snowplows and accessories. See separately printed page for this important information. The following are registered (®) or unregistered (™) trademarks of Douglas Dynamics, LLC: CONTRACTOR GRADE®, MVP 3™, SECURITY GUARD™, ULTRAFINISH™, UltraMount® 2, WESTERN®.

Printed in U.S.A.