



Fisher Engineering

86400, 86600-3, 86600-4, 86600-5, 86610-3(CH),
86610-4(CH), 86100-5(CH), 87400,
87600-3, 87600-4, 87600-5

50 Gordon Drive, Rockland, Maine 04841-2139 • www.fisherplows.com

January 15, 2024

Lit. No. 86019, Rev. 16



Blade and Off-Truck Kit

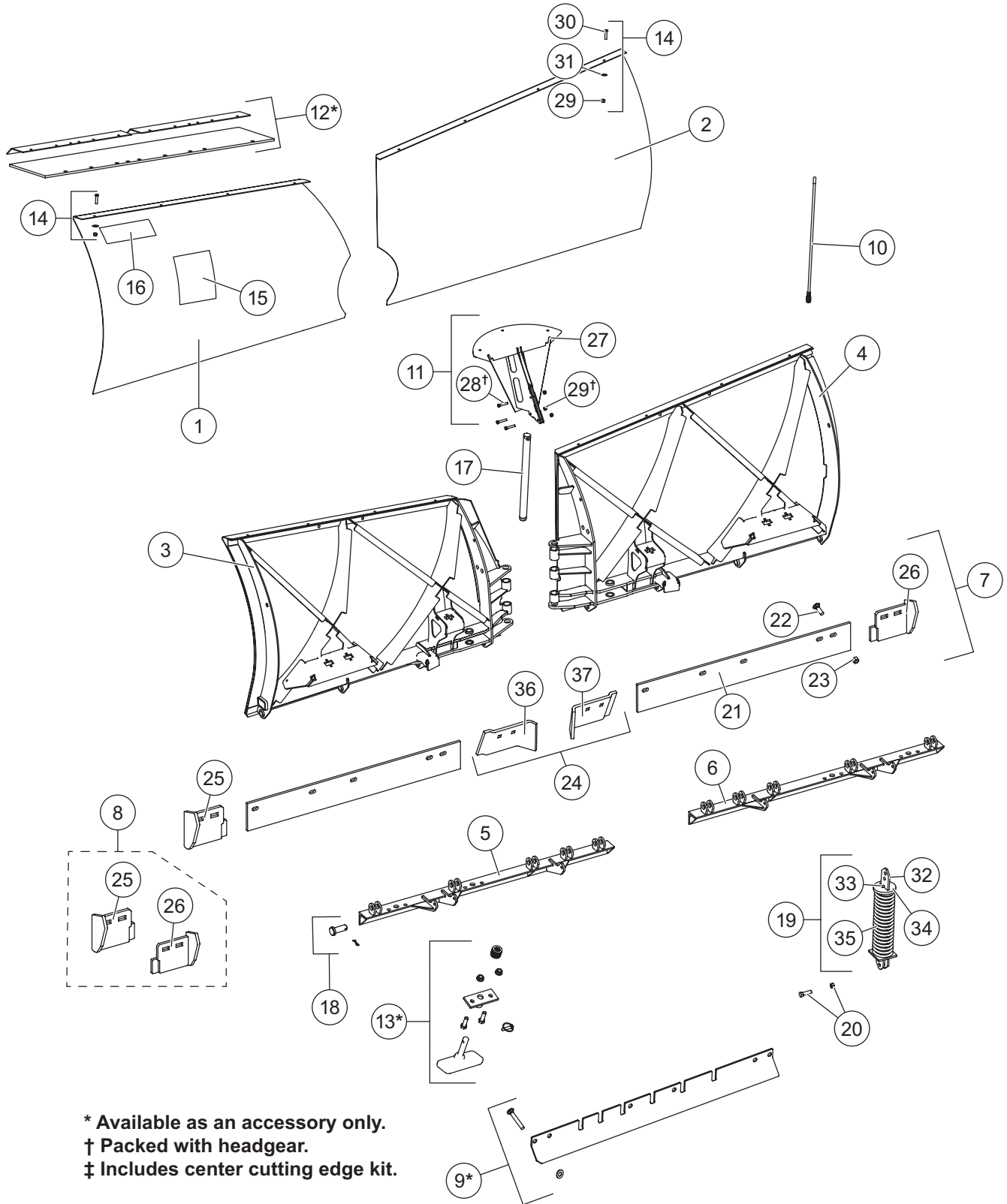
10'6" XV2™ Snowplow

Includes Central Hydraulics Applications

Parts List

XV2™ BLADE COMPONENTS	4
XV2 OFF-TRUCK KITS	6
Headgear and T-Frame Components	6
Hydraulic Unit Components	8
Hydraulic Unit Cover Assembly	10
Lift and Angle Ram Components	11
Hoses and Fittings	12
Electrical Components	13
Vehicle-Side Harness Diagrams	14
Headlamp Kits	16–17

Blade Components



* Available as an accessory only.
 † Packed with headgear.
 ‡ Includes center cutting edge kit.

**86400, 86600-3, 86600-4, 86600-5, 86610-3(CH), 86610-4(CH), 86100-5(CH)
87400, 87600-3, 87600-4, 87600-5**

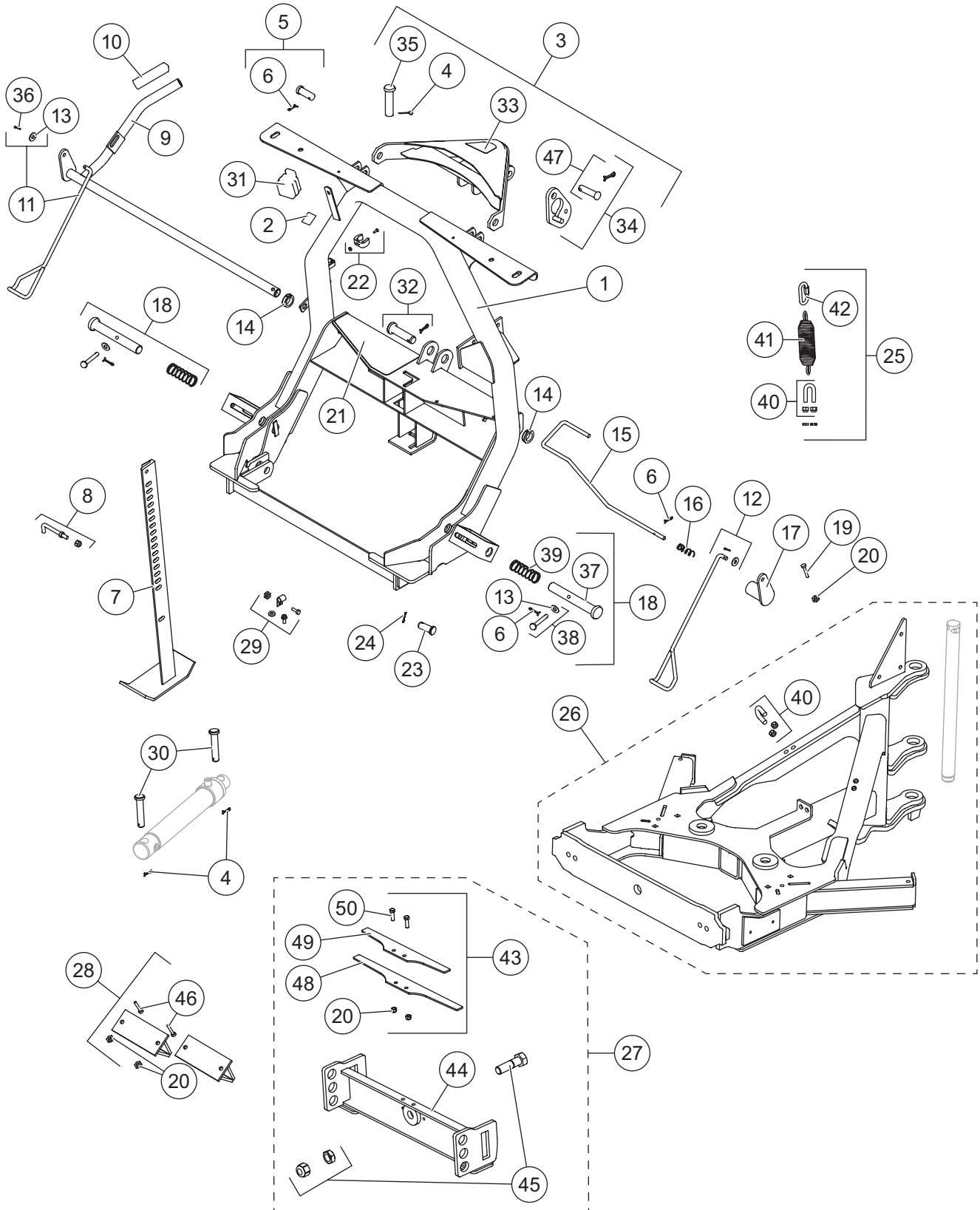
86400/87400 XV2™ Blade Components							
Item	Part	Qty	Description	Item	Part	Qty	Description
1	85660	1	Moldboard Kit (MS) – DS	14	43890	1	Moldboard (MS) Fasteners Kit
	85661	1	Moldboard Kit (SS) – DS		43289	1	Moldboard (SS) Fasteners Kit
2	85662	1	Moldboard Kit (MS) – PS	15	59900	1	Label – Warning/Caution, Snowplows
	85663	1	Moldboard Kit (SS) – PS	16	26211	1	Label – Logo, STORM GUARD™ (MS)
3	85664	1	Frame, Base Angle & Springs – DS	ns	90257	1	Label – Logo, FISHER® Splatter
4	85665	1	Frame, Base Angle & Springs – PS	ns	43224	2	Label – Logo, XV2
5	85666	1	Base Angle – DS	ns	42490	2	Label Replacement Kit – V-Plows
6	85667	1	Base Angle – PS	ns	86876*	1	Poly Cutting Edge Kit
7†	85536	1	1/2 Cutting Edge Kit w/Fasteners	ns	86870*	2	High Wear Shoe Kit
	86891*	1	5/8 Cutting Edge Kit w/Fasteners	ns	86896*	1	Carbide Cutting Edge Kit
8	80297	1	Curb Guard Cutting Edge Kit	17	49844	1	Pivot Pin
9*	44283-4	1	Back Drag Edge Kit	18	27241	10	1 x 2-3/4 Clevis Pin Kit
10	26530K	1	Flexible Blade Guide Set	19	21452	6	Removable Spring Assembly
11	85670	1	Center Snow Control Kit	20	40905	6	Shoulder Bolt w/Locknut
12*	86872	1	Rubber Deflector Kit – 10"	ns	44763	2	Bolt Bag – Cutting Edge Kits (one side – 5 sets of fasteners)
ns	86874*	1	Rubber Deflector Kit – 18"				
13*	50700	2	Shoe Kit	ns	43620*	1	Bolt Bag – Rubber Deflector
Item 7‡ 85536 1/2 Cutting Edge Kit w/Fasteners							
8	80297	1	Curb Guard Cutting Edge Kit	23		10	5/8-11 Hex Locknut GB
21	44898	2	1/2 Cutting Edge	24	44894-1	1	Center Cutting Edge Kit w/Fasteners
22		10	5/8-11 x 2 Carriage Bolt G5				
Item 7*†‡ 86891 5/8 Cutting Edge Kit w/Fasteners							
8	80297	1	Curb Guard Cutting Edge Kit	23		10	5/8-11 Hex Locknut GB
ns	85356	2	5/8 Cutting Edge	ns	85357*	1	5/8 Center Cutting Edge Kit w/Fasteners
22		10	5/8-11 x 2 Carriage Bolt G5				
Item 8 80297 Curb Guard Cutting Edge Kit							
25	86663	1	Curb Guard, DS	ns		1	Bolt Bag, Curb Guard Cutting Edge
26	86664	1	Curb Guard, PS				
Item 11 85670 Center Snow Control Kit							
27		1	Center Deflector	29†		3	3/8-16 Hex Locknut GB
28†		3	3/8-16 x 2 Hex Cap Screw G5				
Item 14 43890 Moldboard (MS) Fasteners Kit							
29†		8	3/8-16 Hex Locknut GB	31		8	3/8 Hardened Washer
30		8	3/8-16 x 1 Button Cap Screw				
Item 14 43289 Moldboard (SS) Fasteners Kit							
		8	3/8-16 x 1 Button Cap Screw SS	31		8	3/8 Hardened Washer
		8	3/8-16 Hex Locknut Brass				
Item 19 21452 Removable Spring Assembly							
32	21450	1	Removable Spring Bar	34	20191	1	Removable Spring Disc
33	20181	1	1/4 x 1-1/4 Pin	35	5323	1	Trip Spring
Item 24 44894-1 1/2 Center Cutting Edge Kit w/Fasteners							
22		5	5/8-11 x 2 Carriage Bolt G5	36	44891-1	1	1/2 Center Cutting Edge – DS
23		5	5/8-11 Hex Locknut GB	37	44890-1	1	1/2 Center Cutting Edge – PS
NS 85357* 5/8 Center Cutting Edge Kit w/Fasteners							
ns	85351	1	5/8 Center Cutting Edge – DS	22		5	5/8-11 x 2 Carriage Bolt G5
ns	85352	1	5/8 Center Cutting Edge – PS	23		5	5/8-11 Hex Locknut GB
	MS = Mild Steel		SS = Stainless Steel		G = Grade		ns = not shown

* Accessory only.

†Packed w/headgear.

‡Includes center cutting edge kit.

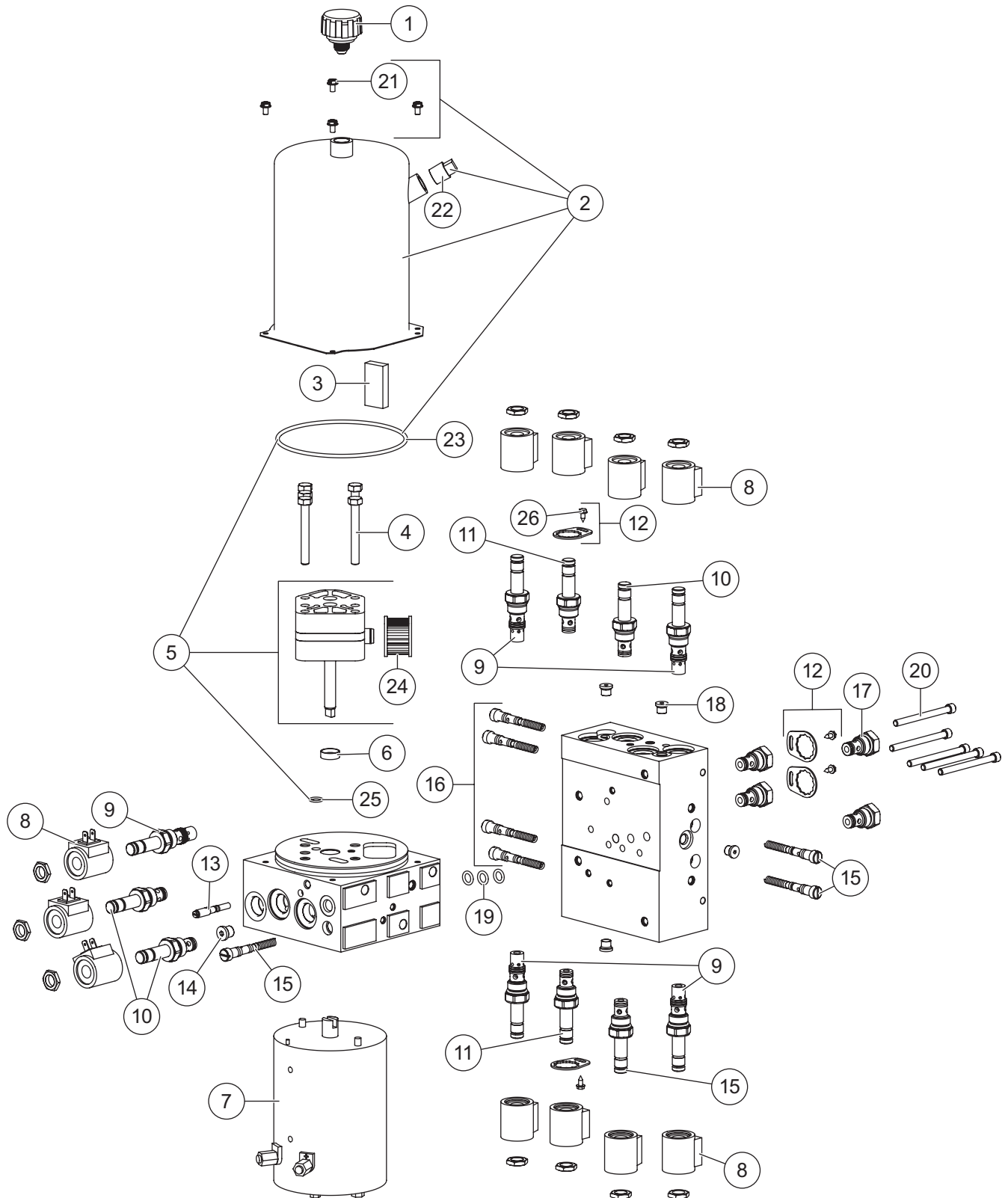
Headgear and T-Frame Components



**86400, 86600-3, 86600-4, 86600-5, 86610-3(CH), 86610-4(CH), 86100-5(CH)
87400, 87600-3, 87600-4, 87600-5**

XV2™ Headgear and T-Frame Components							
Item	Part	Qty	Description	Item	Part	Qty	Description
1	85669	1	Headgear	17	27465	1	Link Arm
2†	69689	1	Label – Logo, SECURITY GUARD™	18	27168K	2	Connecting Pin Kit
3	28350-2	1	Lift Arm Kit (yellow)	19	90043	1	3/8-16 x 2 Hex Cap Screw G5
	27560-2	1	Lift Arm Kit (silver)	20	91333	7	3/8-16 Hex Locknut GB
4	90601	4	1/4 x 1-1/2 Cotter Pin	21	27451	1	Label – Attach/Detach, Minute Mount® 2
5	4289K	2	3/4 x 2 Machine Pin Packet	22	27162K-1	1	Stop Clip Kit
6	90658	5	5/32 x 1-1/4 Cotter Pin	23	26164	2	1-1/4 x 3-1/16 Pin
7	26172	1	Jack	24	90013	2	1/4 x 2 Cotter Pin
8	27164K	1	Handle Kit	25	49521	1	Spring/U-Bolt/Link Kit
9	27468	1	Handle, Link Arm Assembly	26	85668-1	1	T-Frame Service Kit
10	27535	1	Handle Cover	27	72195	1	Pivot Beam Kit
11	27166K	1	Wire Cam Kit – DS	28	81761	1	Stacking Stop Kit – Short (shown)
12	27167K	1	Wire Cam Kit – PS		81760	1	Stacking Stop Kit – Long (not shown)
13	90315	4	3/8 Flat Washer Type A Wide	29	27172K	1	Clamp Loop Kit
14	27163K	1	Bushing Kit (pkg of 2)	30	22260	4	1 x 4-3/4 Clevis Pin
15	27478	1	Jack Lock	31	8284K	1	Cable Boot
16	27461	1	3/4 OD x 3-1/2 Compression Spring	32	43603	1	1 x 3-3/4 Clevis Pin Kit
Item 3	28350-2 (yellow) / 27560-2 (silver) Lift Arm Kit						
4	90601	1	1/4 x 1-1/2 Cotter Pin	34	28991	1	Stop Link Kit
33	26777	1	Label – Nameplate, Minute Mount 2	35	95720	1	1 x 3-5/16 Clevis Pin HT
Item 5	4289K 3/4 x 2 Machine Pin Packet						
	1	3/4 x 2 Pin		6	90658	1	5/32 x 1-1/4 Cotter Pin
Item 11	27166K Wire Cam Kit – DS						
	1	Wire Cam – DS		36	91902	1	1/8 x 1 Cotter Pin
13	1	3/8 Flat Washer Type A Wide					
Item 12	27167K Wire Cam Kit – PS						
	1	Wire Cam – PS		36	91902	1	1/8 x 1 Cotter Pin
13	1	3/8 Flat Washer Type A Wide					
Item 18	27168K Connecting Pin Kit						
37	26833	1	1 x 6-15/16 Pin	39	821	1	1 ID x 3-1/2 Compression Spring
38	26219	1	Clevis Pin Kit				
Item 25	49521 Spring/U-Bolt/Link Kit						
40	A6148K	1	U-Bolt Assembly Packet	42	68340	1	Quick Link
41	27074	1	Spring				
Item 26	85668-1 T-Frame Service Kit						
	1	T-Frame		49844	1	Pivot Pin (shown w/blade)	
40	A6148K	2	U-Bolt Assembly Packet	ns	28351-1	1	3/8 Grade 43 Chain Bag
Item 27	72195 Pivot Beam Kit						
43	51130	1	Leaf Spring Kit	45	52621	1	Pivot Beam Fastener Kit
44	85700	1	Pivot Beam				
Item 28	81761 (short) / 81760 (long) Stacking Stop Kit						
	2	Stacking Stop		46	4	3/8-16 x 1 Carriage Bolt G5	
20	4	3/8-16 Hex Locknut GB					
Item 34	28991 Stop Link Kit						
	1	Stop Link		47	29037	1	5/8 x 2-5/8 Clevis Pin G8 w/Cotter
Item 43	51130 Leaf Spring Kit						
20		2	3/8-16 Hex Locknut GB	49	51976	1	Upper Leaf Spring
48	51403	1	Lower Leaf Spring	50		2	3/8-16 x 1-1/4 Hex Cap Screw G5
† Not used for central hydraulics.		ns = not shown		HT = Heat Treated		G = Grade	

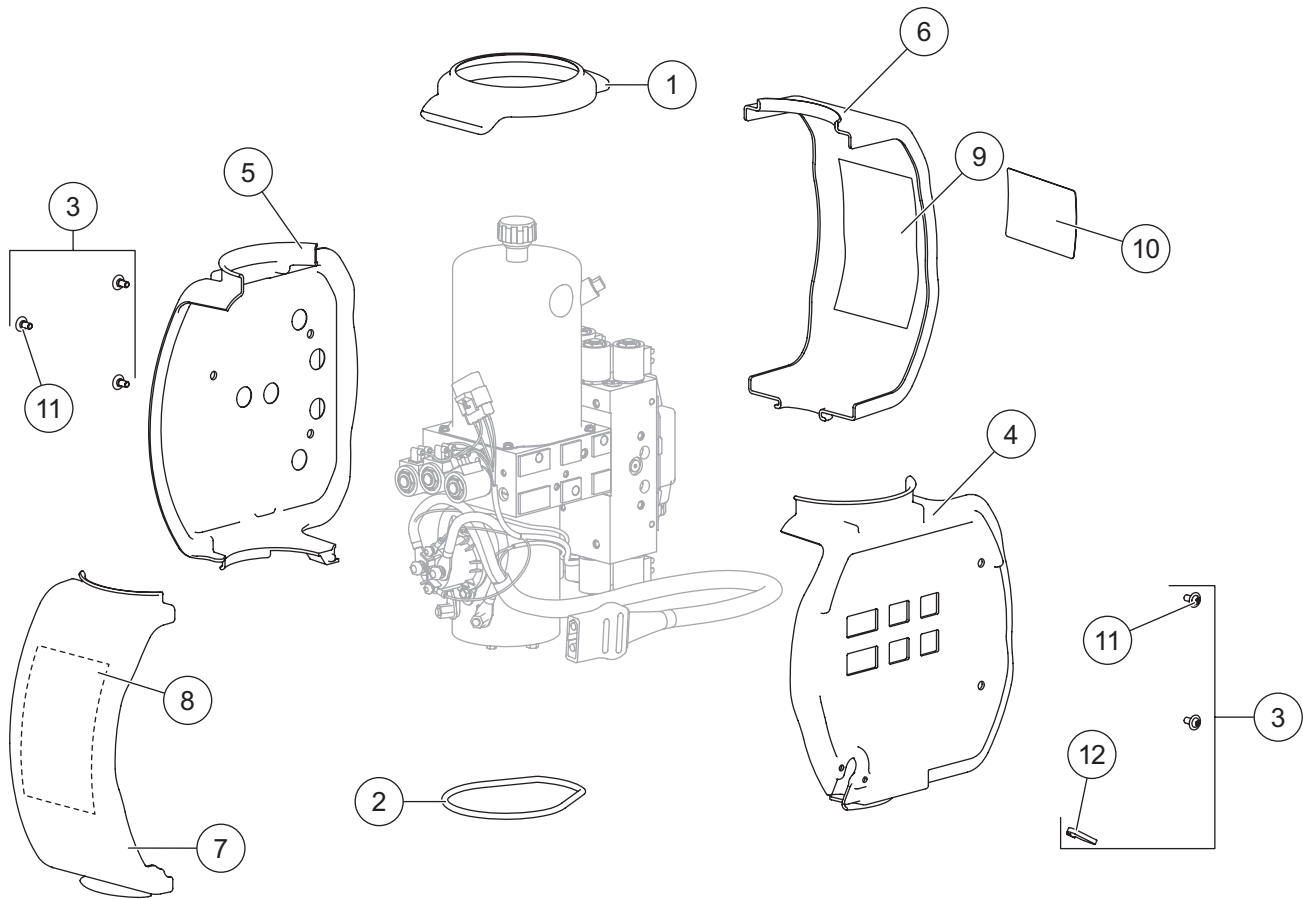
Hydraulic Unit Components



**86400, 86600-3, 86600-4, 86600-5, 86610-3(CH), 86610-4(CH), 86100-5(CH)
87400, 87600-3, 87600-4, 87600-5**

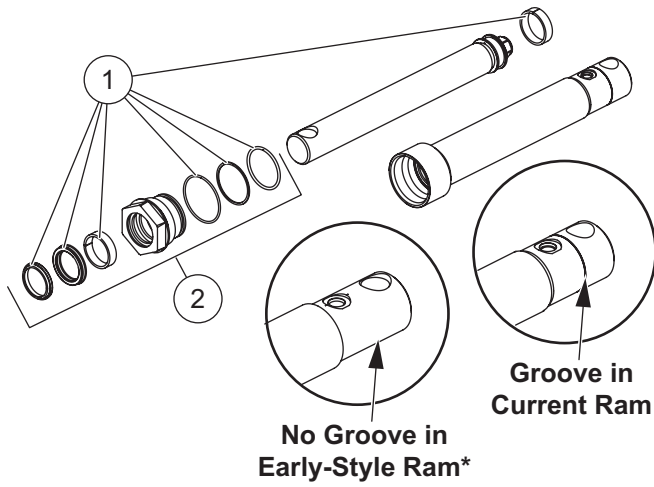
72362 XV2™ Hydraulic Unit (not applicable to central hydraulics)							
Item	Part	Qty	Description	Item	Part	Qty	Description
1	21727-2	1	Breather Pressure Control	14	44344	1	Plug, Hex Socket –4 M ORB
2	44327-3	1	Reservoir Kit	15	7629K-4	1-1/2	Relief Valve Kit (2 sets)
3	73897	1	Magnet	16	44337	2	Relief Valve Kit (2 sets)
4	90080	5	5/16-18 x 2-1/2 Hex Cap Screw G5	17	44333-1	4	Check Valve CV08-20
5	44329-2	1	Pump Kit	18	92960	4	Plug, Hex Socket –3 M ORB
6	66515	1	Pump Shaft Seal	19	29077	3	O-Ring -110
7	21500K-1	1	Motor Assembly 4-1/2	20	29081	5	1/4-20 x 3 Socket Cap Screw
8	7639K-2	11	Coil with Spade Terminals	ns	29099	2	1/4-20 x 1/4 Hex Washer-Head Thread-Rolling Screw
9	44331	5	Valve SVCV08-20 w/Nut	ns	44326	1	1/4-20 x 1/2 6-Lobe Round Washer-Head Screw (pkg of 5)
10	7634K-2	4	Valve SV08-2004 w/Nut	ns	44355	2	1/4-20 x 5/8 Hex Washer-Head Thread-Rolling Screw
11	44335	2	Valve SF08-2015 w/Nut				
12	44369	4	Valve Lock Ring w/Screw				
13	48517	1	Quill Assembly 1/2-20 Thread				
Item 2				44327-3 Reservoir Kit			
21	66607	4	#10-24 x 5/16 Machine Screw	23	66519	1	O-Ring 2-250
22	92079	1	Plug, Square 3/8 NPTF			1	Reservoir
Item 5				44329-2 Pump Kit			
23	66519	1	O-Ring 2-250	25	56274	1	O-Ring -013
24	26781-4	1	Suction Filter			1	Hydraulic Pump
Item 12				44369 Valve Lock Ring w/Screw			
		1	Valve Lock Ring	26	63943	1	#8-18 x 3/8 Tapping Screw
O-Ring Service Kits							
–	7632K-5	–	Back-Up/O-Ring Kit	–	49259-2	–	Seal Kit, Valves SV08-30, -31, -33, -40, -43, and SVCV 08-20
–	49258-2	–	Seal Kit, Valves SV08-2004, CV08-20, SF08-2015				
ns = not shown				G = Grade		M = Male	

Hydraulic Unit Cover Assembly



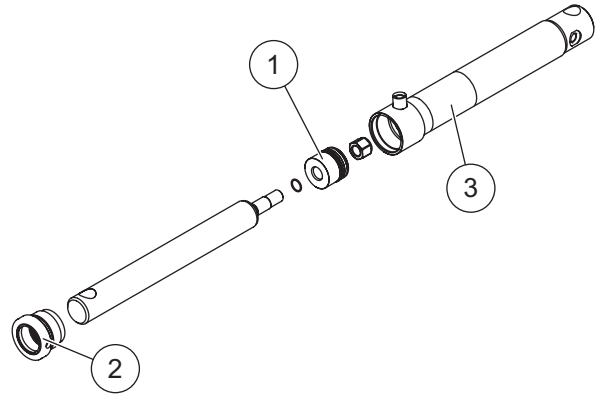
43867 Hydraulic Unit Cover Assembly							
Item	Part	Qty	Description	Item	Part	Qty	Description
1	44352	1	Top Retainer Ring	6	44303	1	Cover, Side 3
2	44366	1	Bottom Retainer Ring	7	44304	1	Cover, Side 4
3	44326	1	1/4-20 x 1/2 6-Lobe Round Washer-Head Screw (pkg of 5) w/8" Cable Tie	8	44310	1	Label - Information (S1-S3)
4		1	Cover, Side 1	9	44319	1	Label - Information (S4-S11)
5		1	Cover, Side 2	10	43222	1	Label - Logo, XV2™ Hydraulic Unit
Item 3	44326		1/4-20 x 1/2 6-Lobe Round Washer-Head Screw (pkg of 5) w/8" Cable Tie				
11		5	1/4-20 x 1/2 6-Lobe Round Washer-Head Screw	12	59223	1	Cable Tie 8"
				ns	61536	1	Cable Tie 14"
ns = not shown							

Lift and Angle Ram Components



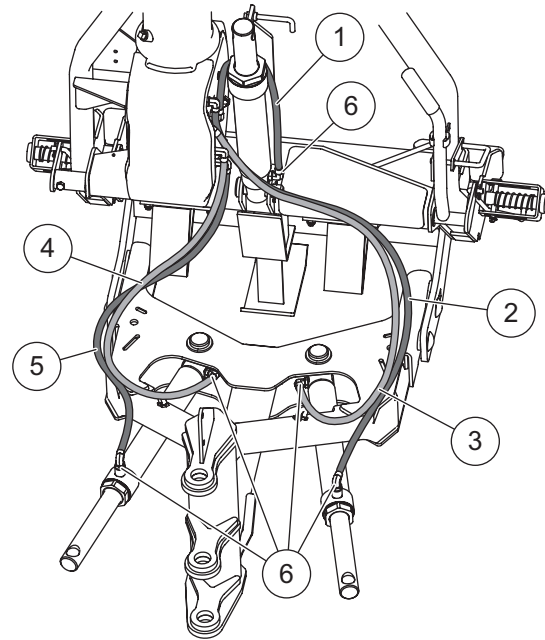
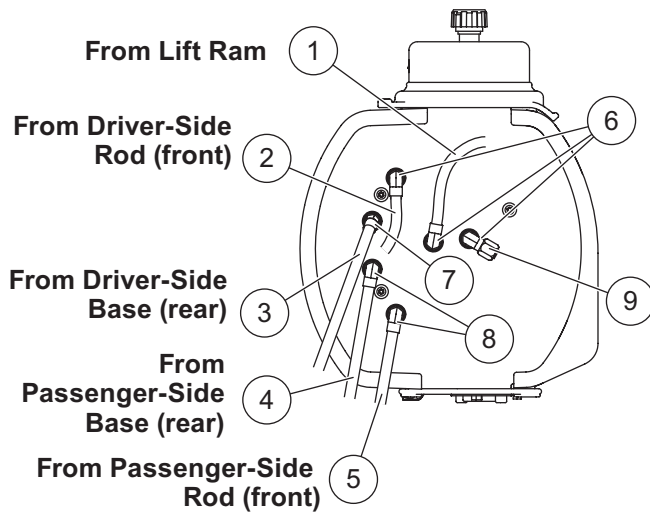
43132-1 Lift Ram Assembly 1-3/4 x 10			
Item	Part	Qty	Description
1	77924	1	Seal Kit
2	43135	1	Gland Nut Assembly

* Early-style lift rams are obsolete and should be replaced with current-style lift ram.



89362 Angle Ram Assembly 2 x 11 DA			
Item	Part	Qty	Description
1	81877	1	Piston Assembly
2	81871	1	Gland Nut Assembly
3	48847	1	Label – Logo, InstaLock Double-Acting Cylinder

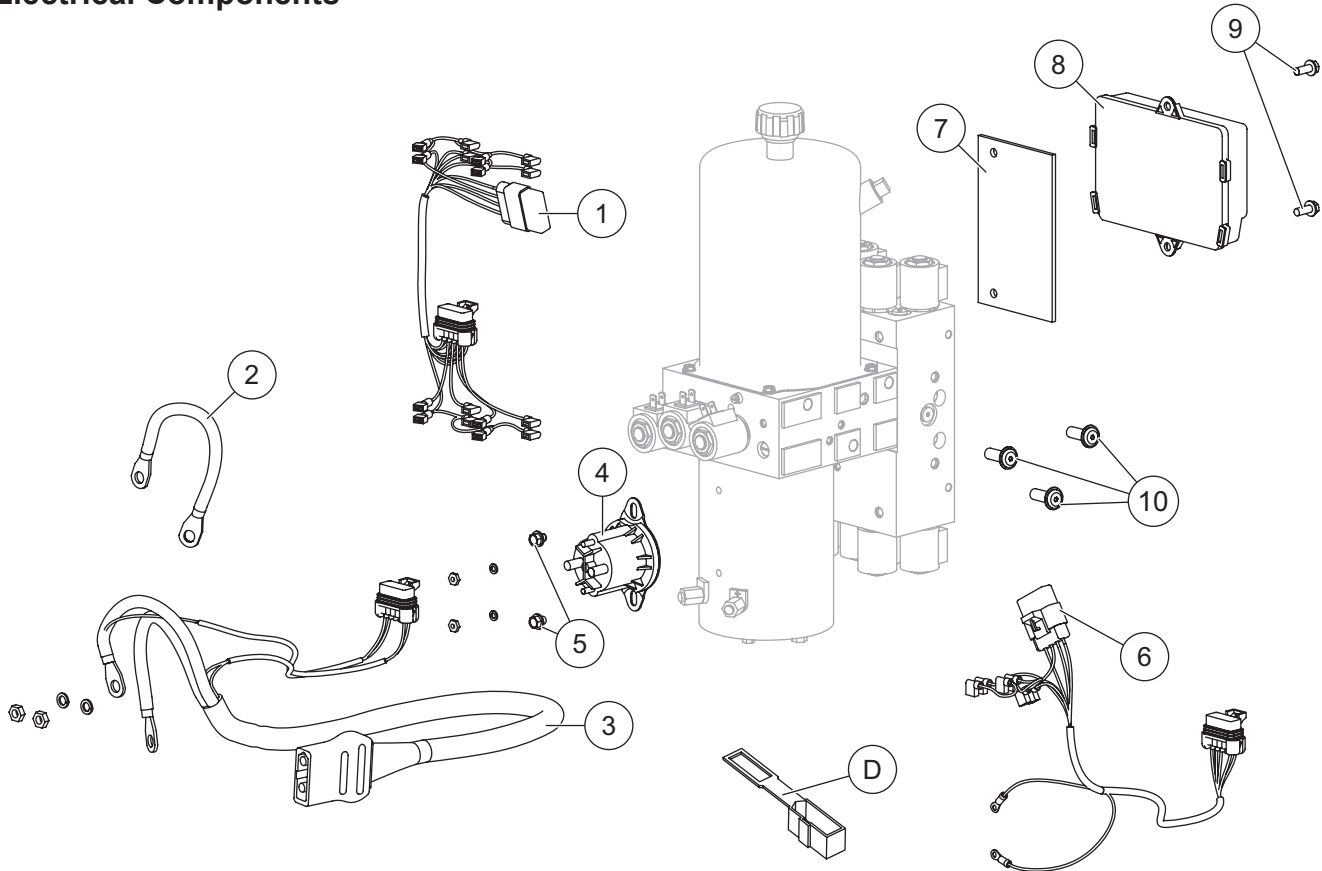
Hoses and Fittings



Hoses and Fittings							
Item	Part	Qty	Description	Item	Part	Qty	Description
1	56592	1	Hose, 1/4 x 16 w/F JIC Ends	7	56726	1	Elbow, 45° -6 M JIC/-6 M ORB
2	56591	1	Hose, 1/4 x 42 w/F JIC Ends	8	44361	2	Elbow, Extra Long 90° -6 M JIC/-6 M ORB
3	44348	1	Hose, 3/8 x 42 w/F JIC Ends	9	44345	1	Drain Cap, -6 F JIC
4	44315	1	Hose, 3/8 x 38 w/F JIC Ends	ns	56823	2	Hose Wrap, Polyethylene
5	56599	1	Hose, 1/4 x 36 w/F JIC Ends	ns	98043	3	3/8-16 x 1 Button Cap Screw
6 [‡]	56725	8	Elbow, 90° -6 M JIC/-6 M ORB				
			F = Female			ns = not shown	
						M = Male	

[‡] Also used for central hydraulics, qty 5.

Electrical Components



Plow-Side Electrical Components							
Item	Part	Qty	Description	Item	Part	Qty	Description
1	28583	1	Harness Snowplow Control, 8-Solenoid	7	44308	1	Spacer Module
2	29071	1	Cable Assembly 8"	8	44354-3	1	Plow Module
3	42015	1	Snowplow Battery Cable	9	44355	2	1/4-20 x 5/8 Hex Washer-Head Thread-Rolling Screw
4	42901	1	Motor Relay Kit FLEET FLEX System	10	98043	3	3/8-16 x 1 Button Cap Screw
5	29099	2	1/4-20 x 1/4 Hex Washer-Head Thread-Rolling Screw	ns	8329K	2	Dielectric Grease (pkg of 2)
6	28581-1	1	Harness Snowplow Control, 3-Solenoid	ns		4	Fuse, 4A Mini Automotive-Style (for items 1 and 6)

ns = not shown

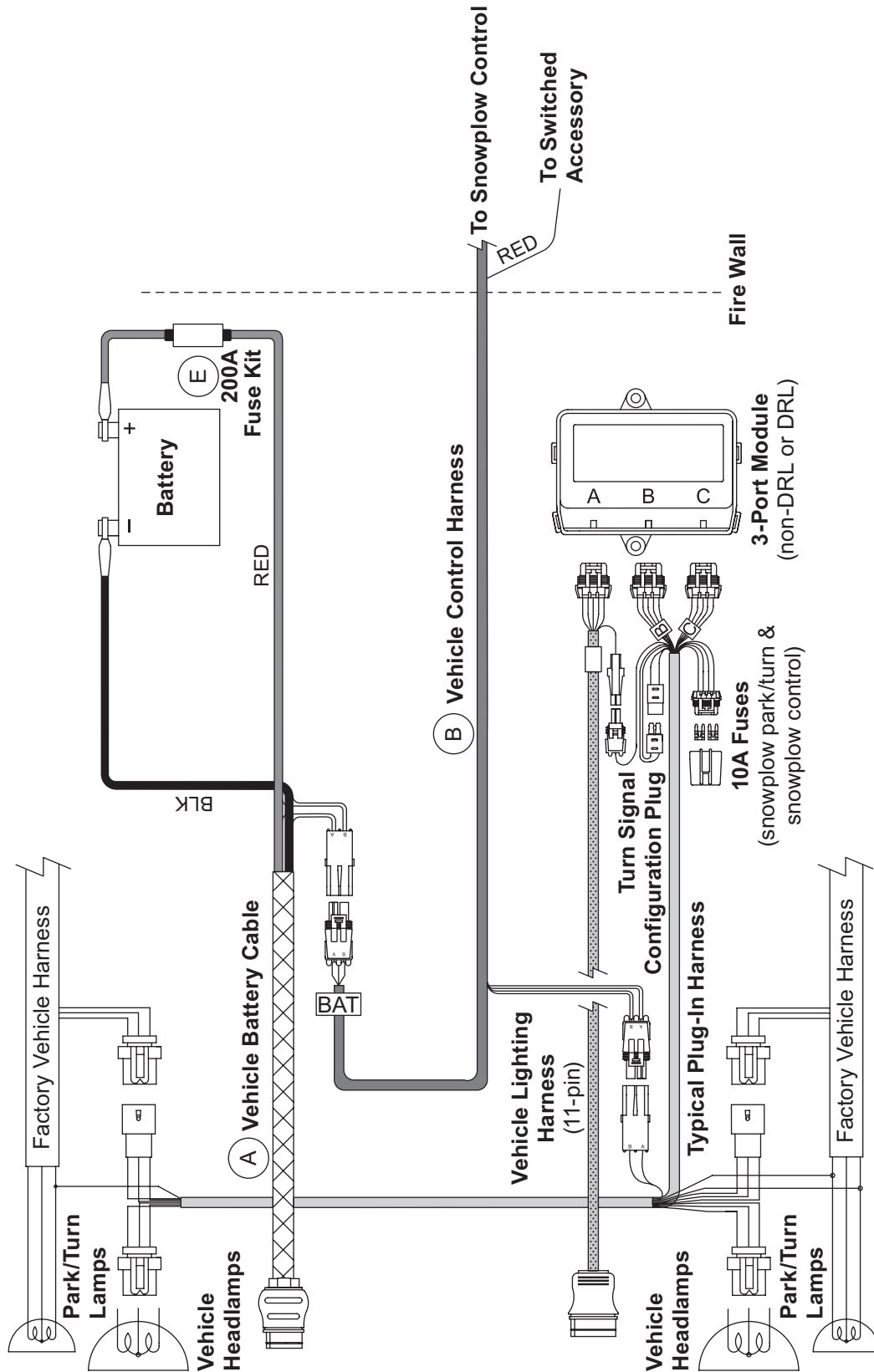
Vehicle-Side Electrical Components (diagrams on following pages)							
Item	Part	Qty	Description	Item	Part	Qty	Description
A [†]	72527	1	Vehicle Battery Cable	D	61548K	1	Plug Cover Kit (shown with plow-side electrical components)
B [*]	28587	1	Vehicle Control Harness	E ^{*§}	90730	1	200A Fuse Kit
C [§]	26498	1	Vehicle Control Harness – Central Hydraulics				

* See Vehicle-Side Harness Diagram.

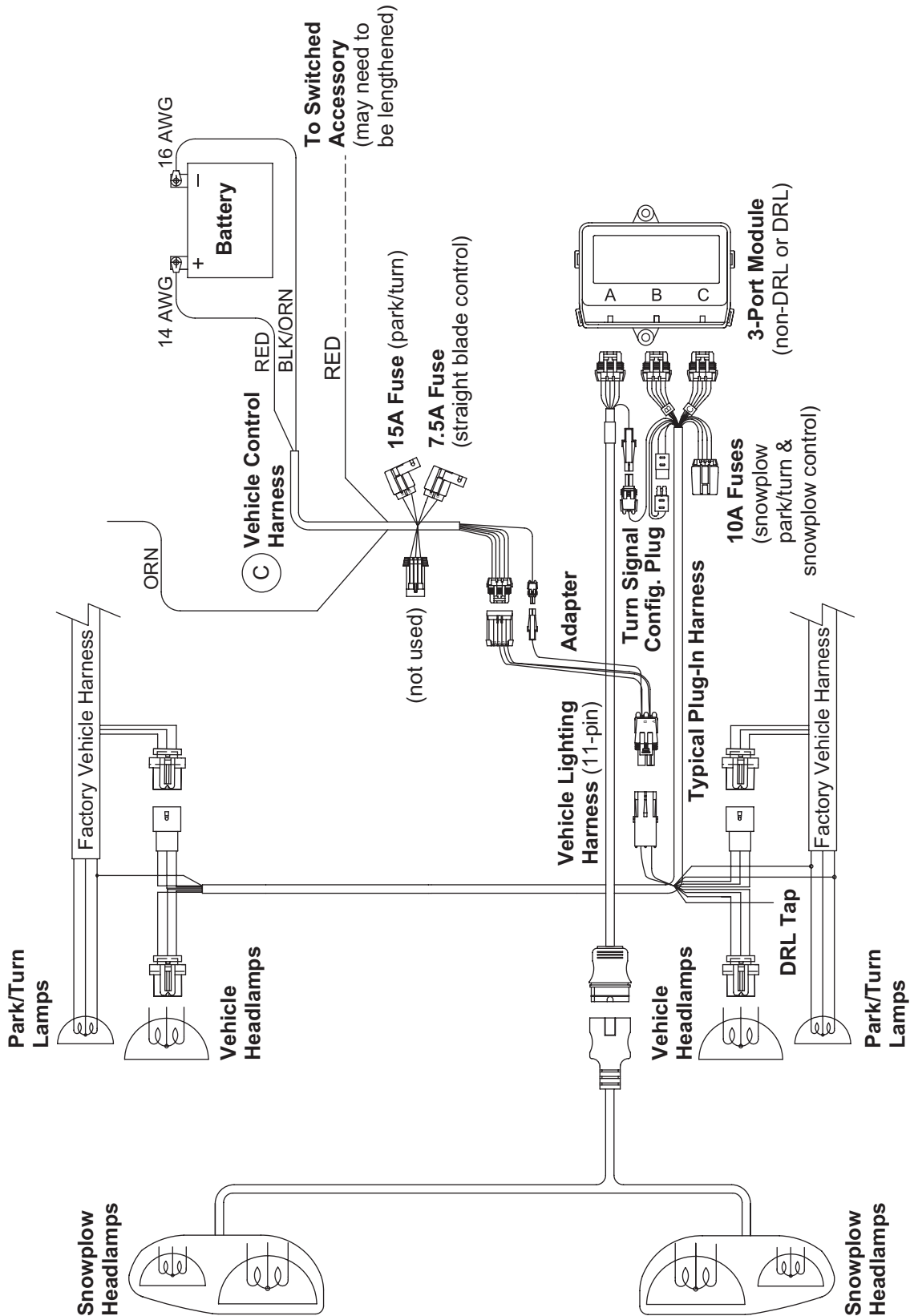
§ See Vehicle-Side Harness Diagram – Central Hydraulics.

† Not used for central hydraulics.

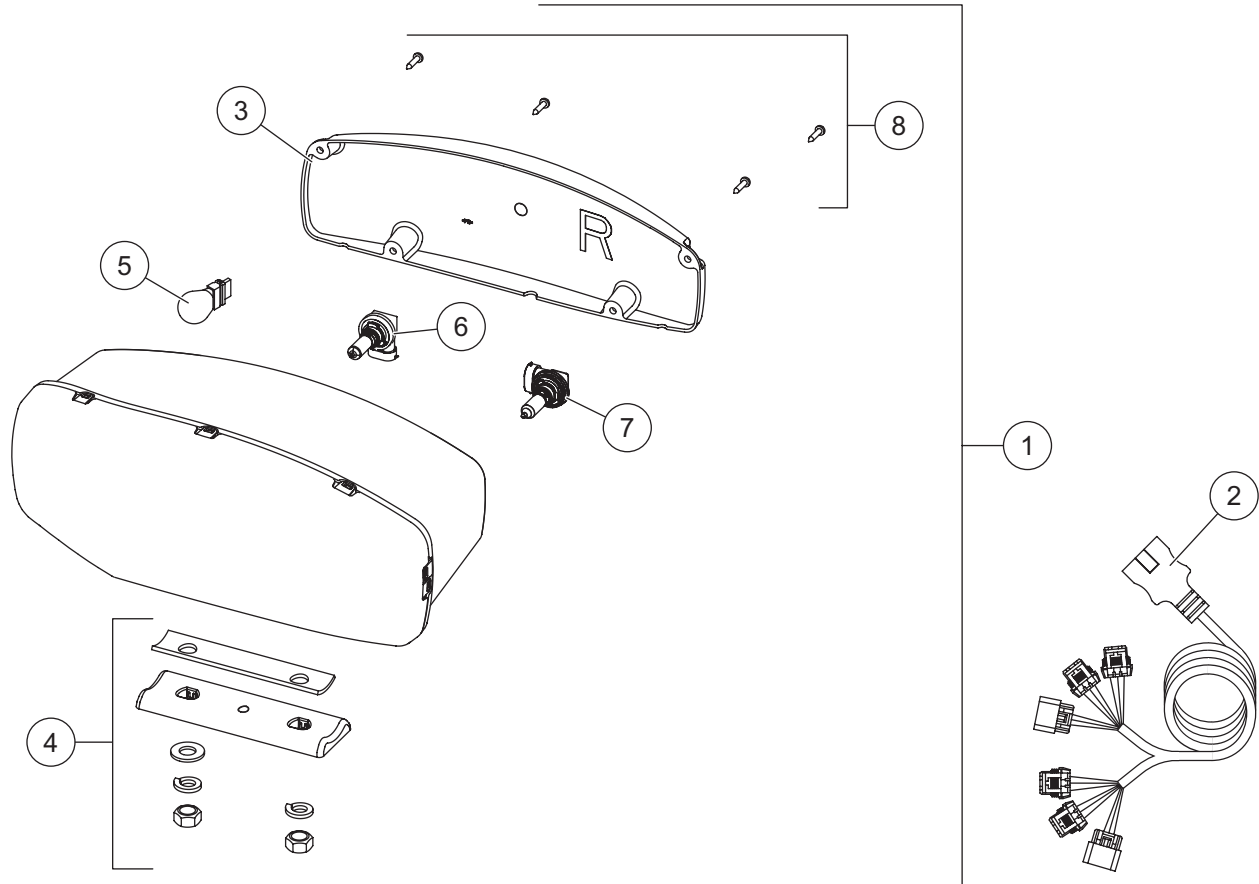
Vehicle-Side Harness Diagram



Vehicle-Side Harness Diagram – Central Hydraulics



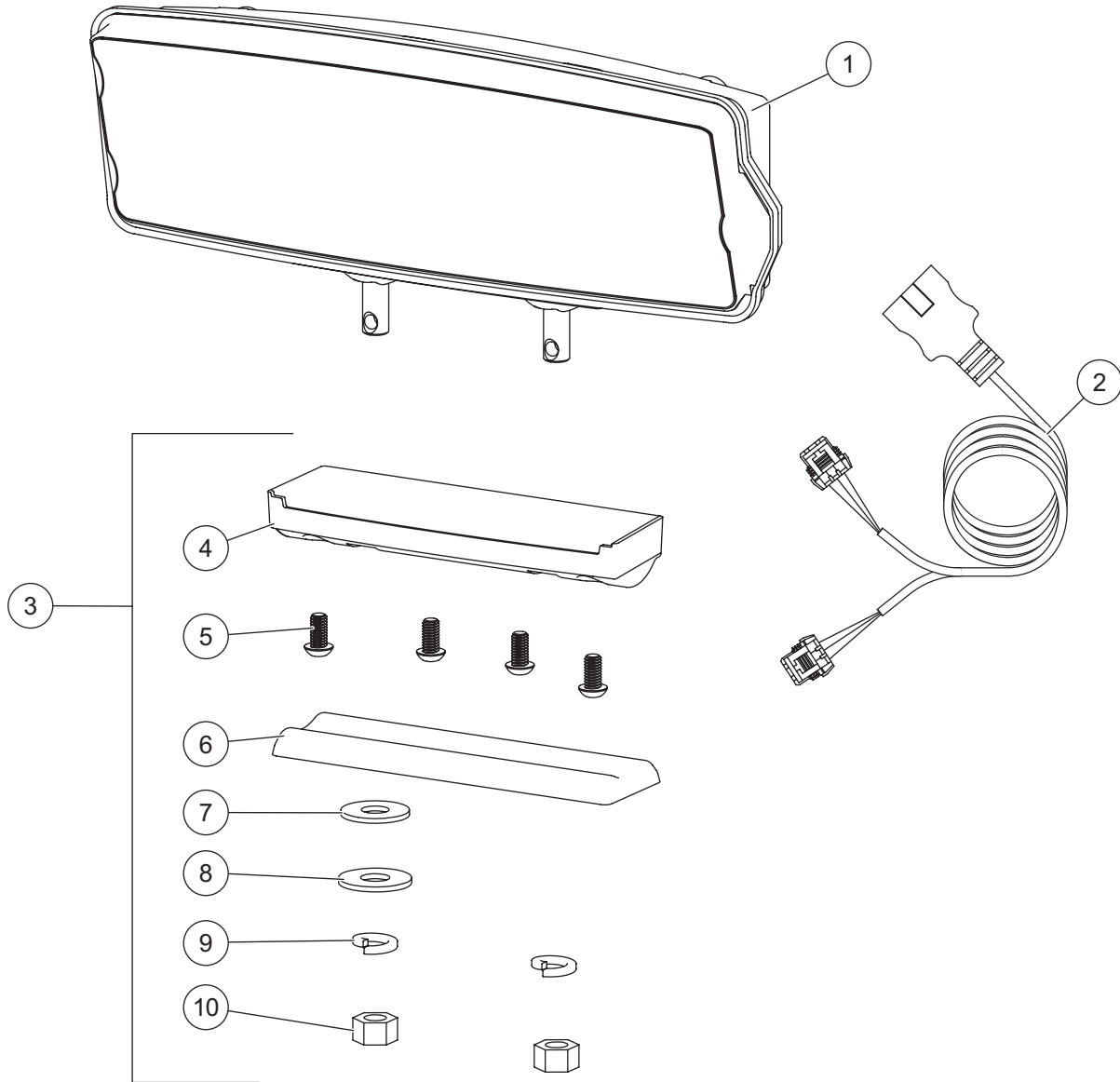
Headlamp Kit – Halogen



38800 Headlamp Kit H9/H11 (pair)							
Item	Part	Qty	Description	Item	Part	Qty	Description
1	38802	1	Headlamp Service Kit H9/H11 – PS	2	38807	1	Harness Service Kit H9/H11
ns	38801	1	Headlamp Service Kit H9/H11 – DS				
Item 1	38801/38802 Headlamp Service Kit H9/H11 – DS/PS						
3	38803	1	Rear Cover Kit H9/H11 – PS	6	38811	1	Headlamp Bulb Service Kit H11
ns	38812	1	Rear Cover Kit H9/H11 – DS	7	38809	1	Headlamp Bulb Service Kit H9
4	38804	1	Mounting Hardware Kit H9/H11	8	38808	1	Cover Screws Service Kit H9/H11 (pkg of 4)
5		1	Park/Turn Bulb (trade no. 4157NAK)				

ns = not shown

Headlamp Kit – LED



Headlamp Kit LED							
Item	Part	Qty	Description	Item	Part	Qty	Description
1	39901	1	Headlamp Service Kit LED – DS	3	39903	1	Mounting Hardware Kit LED
ns	39902	1	Headlamp Service Kit LED – PS	ns	72512	1	LED Harness Connector Cover (pkg of 2)
2	72548	1	Harness Service Kit LED				
Item 3				39903 Mounting Hardware Kit LED			
4		1	Plastic Casing	8		1	1/2 Flat Washer
5		4	1/4 Button Cap Screw	9		2	1/2 Lock Washer
6		1	Headlamp Swivel	10		2	1/2 Hex Nut
7		1	1/2 Rubber Washer	ns		1	Metal Insert
ns = not shown							



Fisher Engineering
50 Gordon Drive
Rockland, ME 04841-2139
www.fisherplows.com

A DIVISION OF FISHER, LLC

Copyright © 2024 Douglas Dynamics, LLC. All rights reserved. This material may not be reproduced or copied, in whole or in part, in any printed, mechanical, electronic, film, or other distribution and storage media, without the written consent of Fisher Engineering. Authorization to photocopy items for internal or personal use by Fisher Engineering outlets or snowplow owner is granted.

Fisher Engineering reserves the right under its product improvement policy to change construction or design details and furnish equipment when so altered without reference to illustrations or specifications used. Fisher Engineering or the vehicle manufacturer may require or recommend optional equipment for snow removal. Do not exceed vehicle ratings with a snowplow. Fisher Engineering offers a limited warranty for all snowplows and accessories. See separately printed page for this important information. The following are registered (®) or unregistered (™) trademarks of Douglas Dynamics, LLC: FISHER®, Minute Mount® 2, SECURITY GUARD™, STORM GUARD™, XV2™.

Printed in U.S.A.