



Fisher Engineering

50 Gordon Drive, Rockland, Maine 04841-2139 • www.fisherplows.com

**99000, 99001
99005, 99009**

June 1, 2023
Lit. No. 99594, Rev. 19

STEEL-CASTER™

Hopper and Drive Components

STEEL-CASTER™ Hopper Spreader with Electric Motors

Parts List

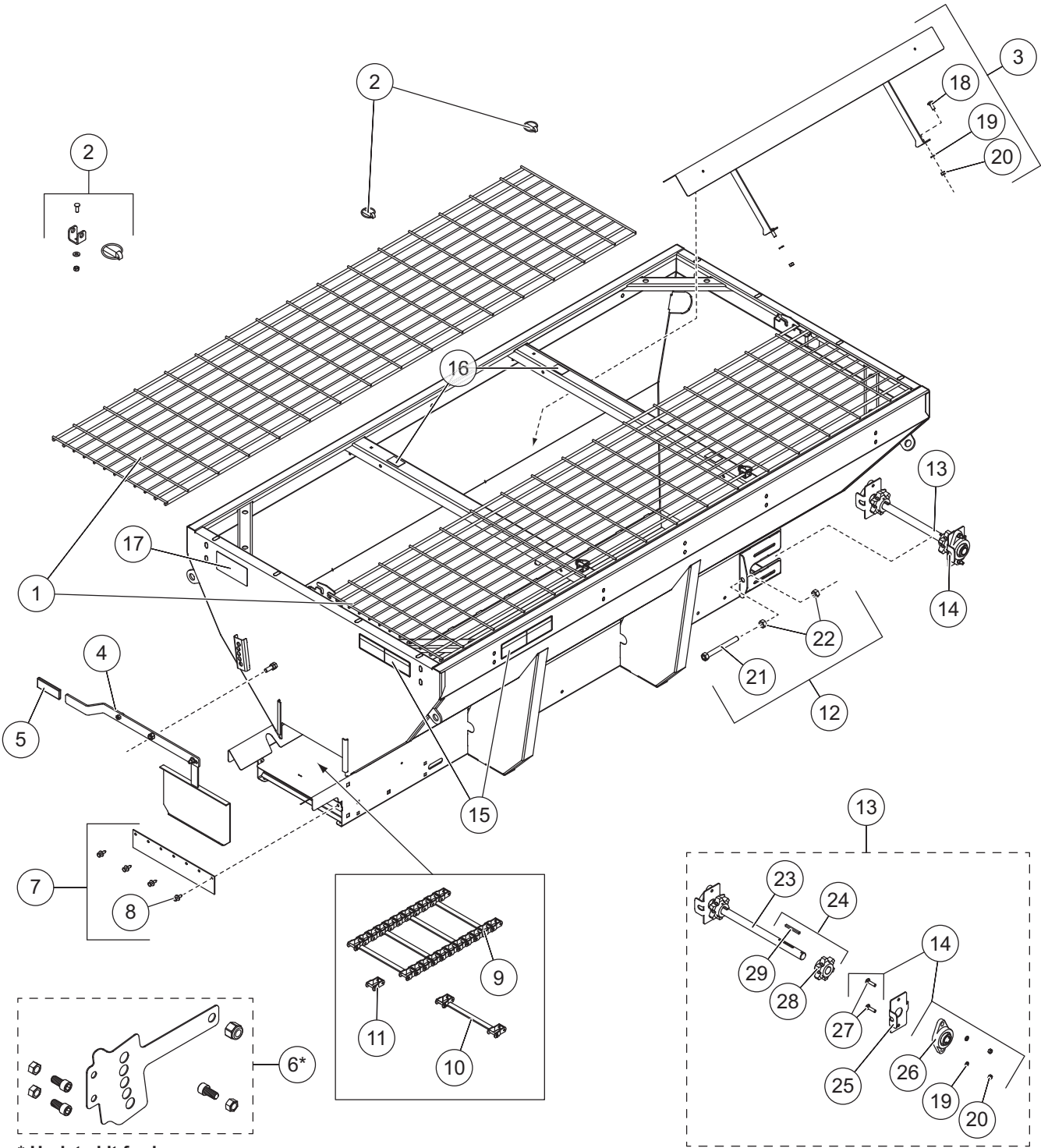


This Parts List is for FISHER® STEEL-CASTER hopper spreaders with serial numbers beginning with 150515 through 170628.

A DIVISION OF FISHER, LLC

STEEL-CASTER™ HOPPER SPREADER

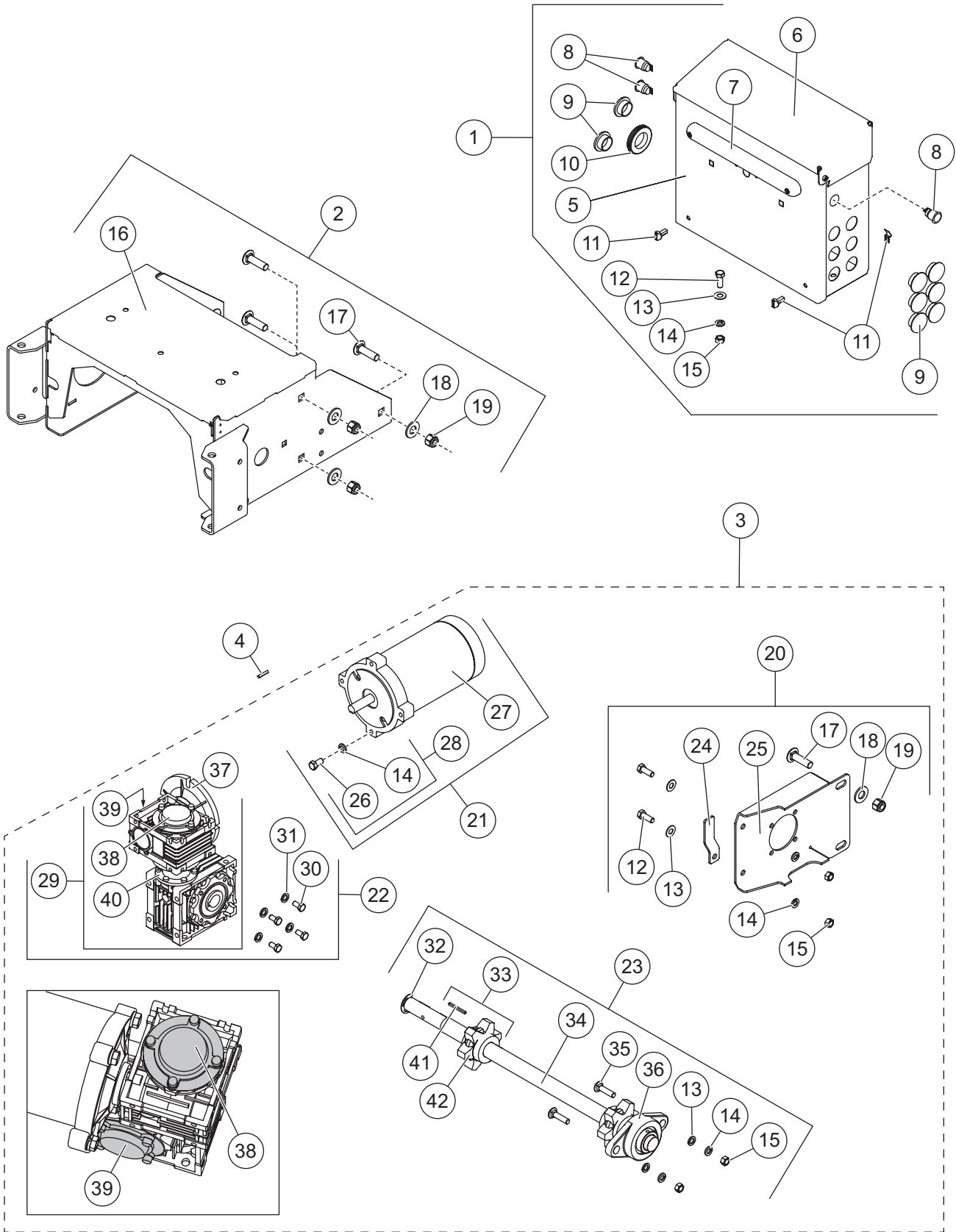
HOPPER COMPONENTS



* Update kit for hoppers without a feed gate lock bracket.

STEEL-CASTER™ HOPPER SPREADER

CONVEYOR DRIVE COMPONENTS

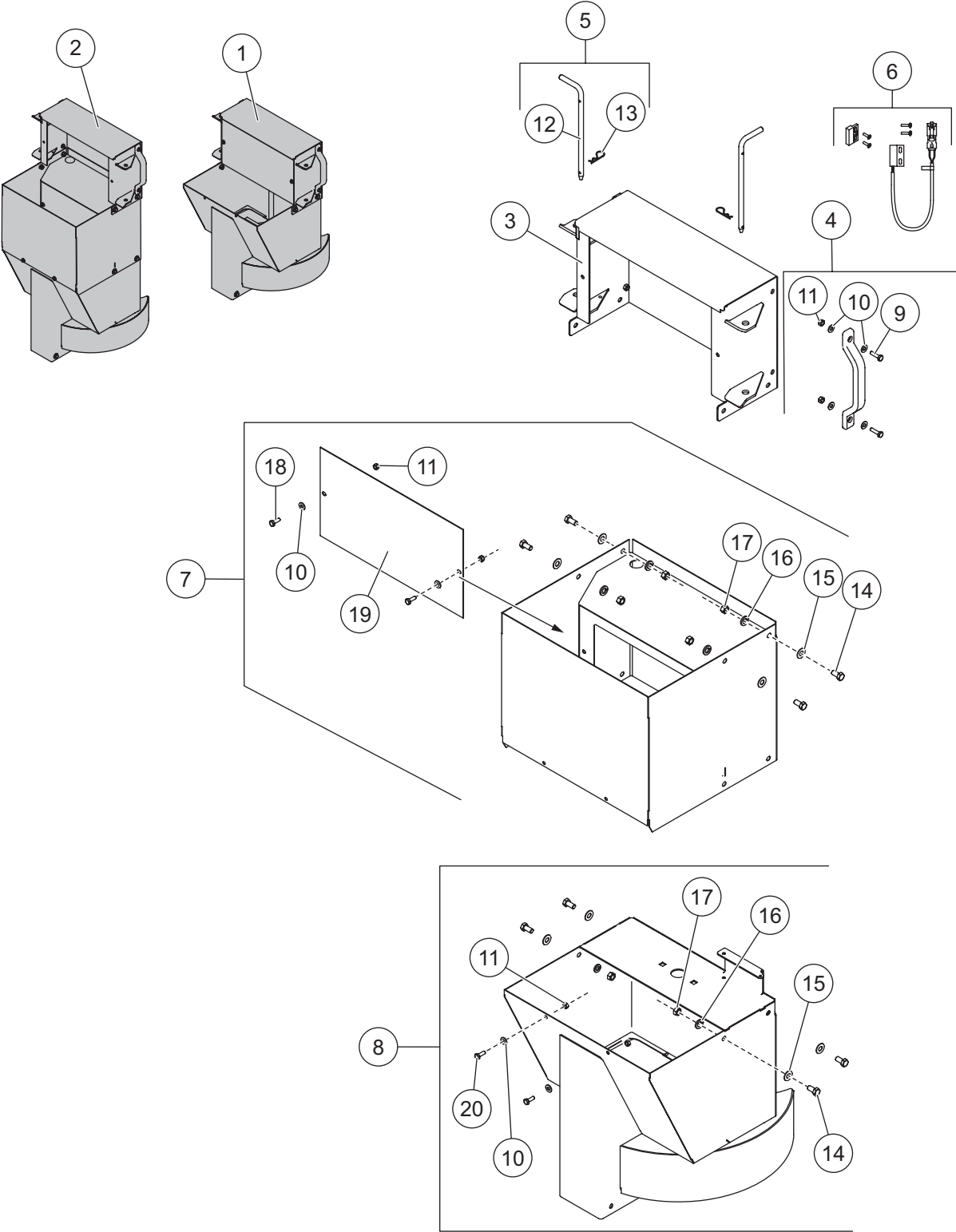


STEEL-CASTER™ HOPPER SPREADER

Conveyor Drive Components							
Item	Part	Qty	Description	Item	Part	Qty	Description
1	99077	1	Electrical Box Assembly	4	65195	1	3/16 x 1 Machine Key
2	99092	1	Electric Power Group Mount Kit	ns	99744	1	Label Kit, SH Electrical Control Box
3	99091	1	Electric Conveyor Drive Kit				
Item 1				99077 Electrical Box Assembly			
5	99696	1	Electrical Box	11	99570	1	Electrical Box Latch Kit (pkg of 2)
6	99247	1	Enclosure Cover	12		3	3/8-16 x 1 Hex Cap Screw SS
7	99080	1	CHMSL Kit	13		3	3/8 Flat Washer SS
8	99254	3	Switch, Push Button	14		3	3/8 Lock Washer SS
9	99195	8	Break-Thru Plug	15		3	3/8-16 Hex Nut SS
10		1	0.25 Grommet				
Item 2				99092 Electric Power Group Mount Kit			
16	99569	1	Electric Power Group Mount	18		6	1/2 Flat Washer SS
17		6	1/2-13 x 1-3/4 Carriage Bolt SS	19		6	1/2-13 Locknut SS
Item 3				99091 Electric Conveyor Drive Kit			
20	99089	1	Gear Box Bracket Kit	22	31549	1	Gear Box Kit
21	99085	1	Conveyor Motor Kit	23	99094	1	Drive Shaft Kit, Electric
Item 20				99089 Gear Box Bracket Kit			
12		2	3/8-16 x 1 Hex Cap Screw SS	18		6	1/2 Flat Washer SS
13		2	3/8 Flat Washer SS	19		6	1/2-13 Locknut SS
14		2	3/8 Lock Washer SS	24		1	Cable Boot Stand
15		2	3/8-16 Hex Nut SS	25		1	Gear Box Bracket
17		2	1/2-13 x 1-3/4 Carriage Bolt SS	ns	99775	1	Cable Boot – 8-Pin
Item 21				99085 Conveyor Motor Kit			
27	D6825-1	1	Motor 1/2 hp NEMA 56C	28	99086	1	Bolt Bag – Conveyor Motor
Item 22				31549 Gear Box Kit			
29	31098	1	Gear Box, 10 x 10 2X Worm Gear	31		4	M8 Lock Washer SS
30		4	M8 x 1.25 x 16 Hex Cap Screw SS				
Item 23				99094 Drive Shaft Kit, Electric			
13		2	3/8 Flat Washer SS	33	99479	2	6-Tooth Sprocket
14		2	3/8 Lock Washer SS	34		1	Drive Shaft Assembly
15		2	3/8-16 Hex Nut SS	35	68345	2	3/8-16 x 1-1/2 Carriage Bolt SS
32	330	1	1" Retaining Ring	36	94536	1	Bearing, 1.125 ID 2-Bolt Flange
Item 28				99086 Bolt Bag – Conveyor Motor			
14		2	3/8 Lock Washer SS	26		4	3/8-16 x 3/4 Hex Cap Screw SS
Item 29				31098 Gear Box 10 x 10 2X Worm Gear			
37	31101	1	Motor Flange	39	86799	1	Gear Box Cover Kit, Secondary
38	86792	1	Gear Box Cover Kit, Primary	40	31102	1	Connector Flange
Item 33				99479 6-Tooth Sprocket			
41		1	1/4 x 2-3/4 Machine Key	42		1	Drive Sprocket 6T
			SS = Stainless Steel			ns = not shown	M = Metric

STEEL-CASTER™ HOPPER SPREADER

CHUTE ASSEMBLY COMPONENTS



STEEL-CASTER™ HOPPER SPREADER

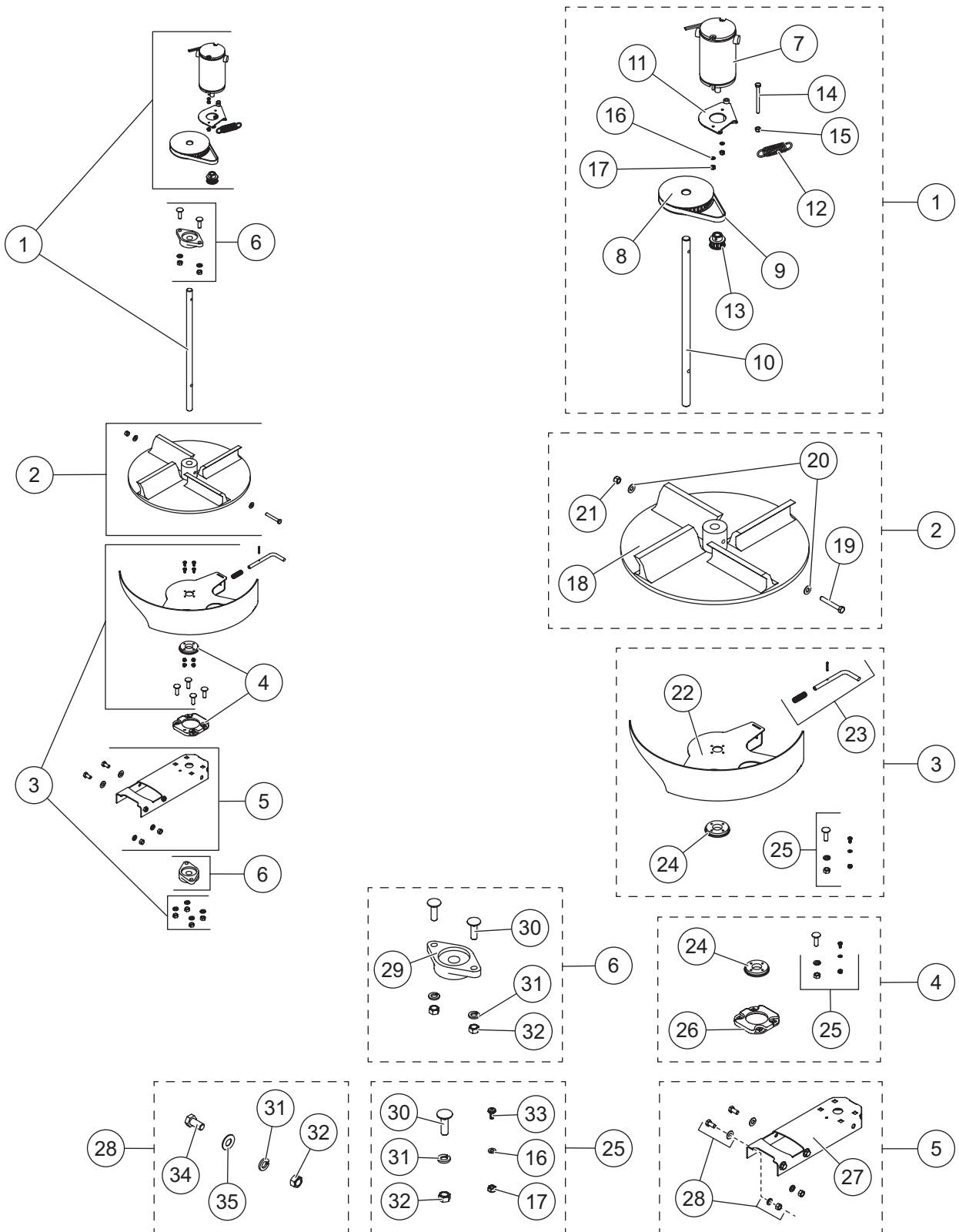
Chute Assembly Components							
Item	Part	Qty	Description	Item	Part	Qty	Description
1	99132*	1	Short Chute Assembly – Complete	5	99613	1	Chute Attachment Kit
2	99096*	1	Long Chute Assembly – Complete	6	99568	1	Magnetic Chute Interlock Kit
3	96386	1	Chute Upper Section	7	99139†	1	Chute Middle Section Kit
4	99098	2	Handle Kit	8	99137	1	Chute Lower Section Kit
Item 4				99098 Handle Kit			
9		2	1/4-20 x 1-1/4 Hex Cap Screw SS	11		2	1/4-20 Locknut GB SS
10		4	1/4 Flat Washer SS				
Item 5				99613 Chute Attachment Kit			
12		2	3/8 x 8-1/4 Chute Pin	13		2	3/32 x 2-1/4 Cotter Pin
Item 7				99139† Chute Middle Section Kit			
–		1	Chute Extension, Electric	16		4	3/8 Lock Washer SS
10		2	1/4 Flat Washer SS	17		4	3/8-16 Hex Nut SS
11		2	1/4-20 Locknut GB SS	18		2	1/4-20 x 3/4 Hex Cap Screw
14		4	3/8-16 x 3/4 Hex Cap Screw SS	19	99207	1	Chute Motor Cover
15		4	3/8 Flat Washer SS				
Item 8				99137 Chute Lower Section Kit			
–		1	Lower Chute Body	15		4	3/8 Flat Washer SS
10		2	1/4 Flat Washer SS	16		4	3/8 Lock Washer SS
11		2	1/4-20 Locknut GB SS	17		4	3/8-16 Hex Nut SS
14		4	3/8-16 x 3/4 Hex Cap Screw SS	20		2	1/4-20 x 3/4 Hex Cap Screw SS
SS = Stainless Steel				G = Grade			

* Includes spinner and shutter assemblies shown on following page.

† Not used in the 99132 short chute assembly.

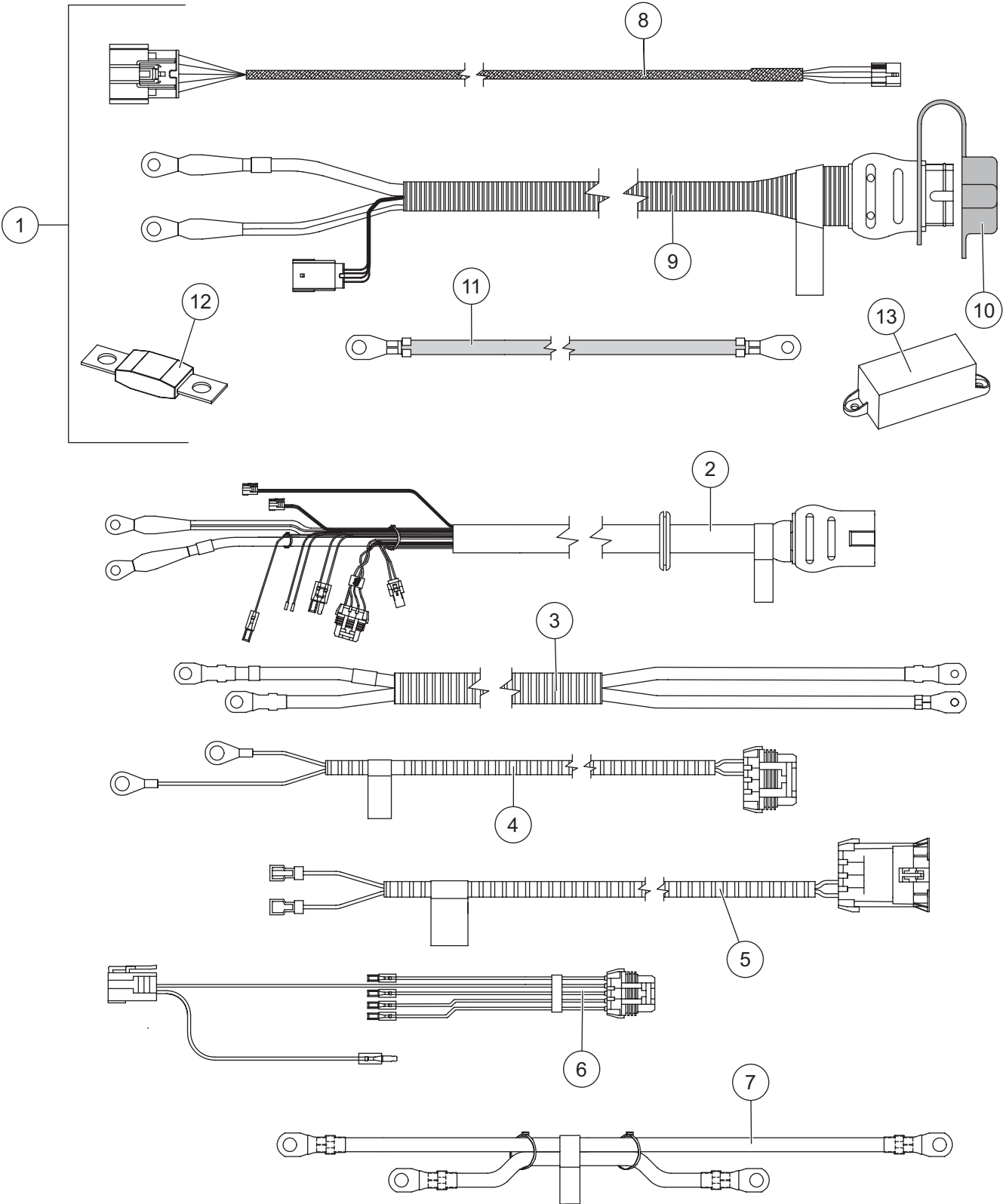
STEEL-CASTER™ HOPPER SPREADER

SPINNER DRIVE & SHUTTER ASSEMBLIES



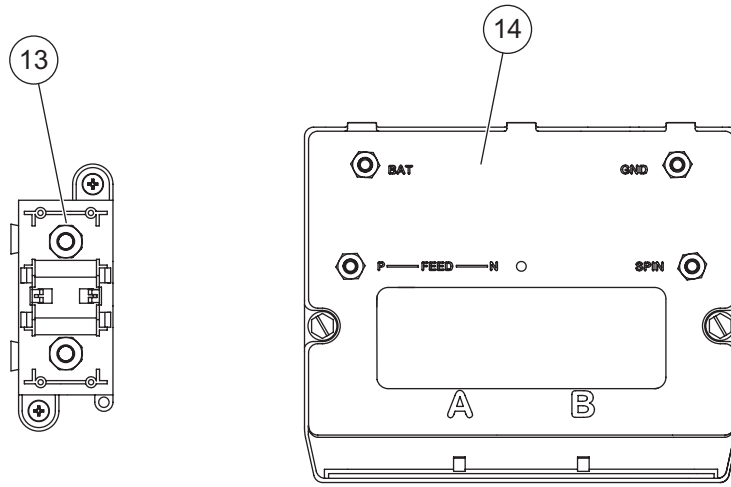
STEEL-CASTER™ HOPPER SPREADER

HARNESSING COMPONENTS



STEEL-CASTER™ HOPPER SPREADER

ELECTRICAL BOX COMPONENTS



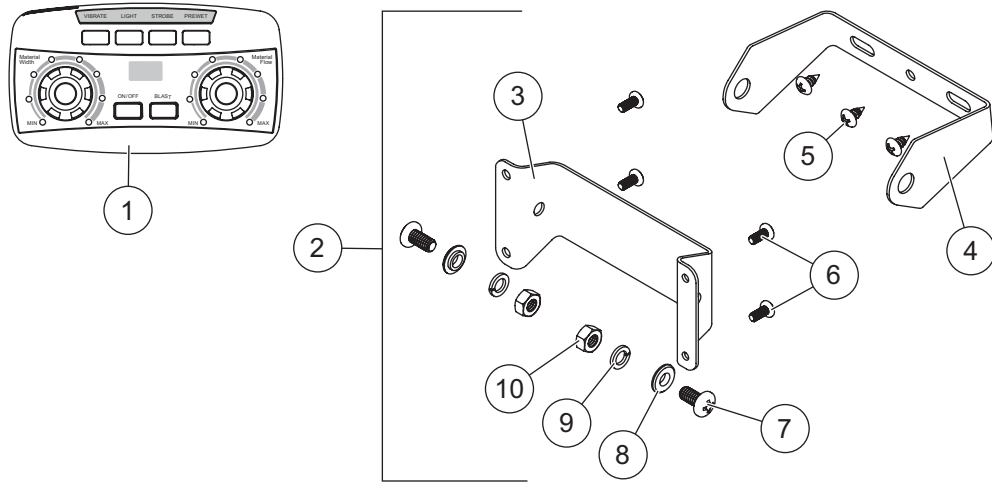
Cables & Harnessing, Electrical Components							
Item	Part	Qty	Description	Item	Part	Qty	Description
1	78402	1	Vehicle-Side Harness Kit	6	69939	1	10-Pin Connector w/Switch Connector
2	69906	1	Hopper Harness Assembly	7	78385	1	Cable – Module to Isolated Stud Block
3	78987	1	Conveyor Motor Cable	ns	99772	1	Motor Terminal Cover Kit (pkg of 2)
4	78361	1	Cable Assembly 20" – Spinner Motor				
5	78359	1	Cable Assy, Spinner Motor – Chute				
Item 1 78402 Vehicle-Side Harness Kit							
8	69902	1	Vehicle Control Harness	12	95836	1	Fuse, 100A
9	76057	1	Vehicle Harness Assembly*	13	95837	1	Fuse Holder/Isolated Stud Block
10	99759	1	Plug Cover	ns		6	HD Cable Tie, 25.25"
11	22511	1	22" Battery Cable – Red	ns		10	Cable Tie, 5.35"
Electrical Box Components							
13	95837	1	Fuse Holder/Isolated Stud Block	14	52385	1	Spreader Module 4-Post

ns = not shown

* Includes the plug cover (item 10).

STEEL-CASTER™ HOPPER SPREADER

CAB CONTROL



99533 Cab Control Kit							
Item	Part	Qty	Description	Item	Part	Qty	Description
1	99773	1	Cab Control 2-Knob	2	52345	1	Cab Control Bracket Kit
Item 2				52345 Cab Control Bracket Kit			
3		1	Bracket, Control Inner	7		2	1/4-20 x 1/2 Pan Head Machine Screw SS – Black Oxide
4		1	Bracket, Control Outer	8		2	1/4 Shoulder Washer – Black Oxide
5		3	#10 x 3/8 Tapping Screw SS	9		2	1/4 Lock Washer SS
6		4	#8-32 x 3/8 Phillips Pan Head Machine Screw	10		2	1/4-20 Hex Nut G5 – Black Oxide
G = Grade				SS = Stainless Steel			

STEEL-CASTER™ HOPPER SPREADER

ACCESSORIES

Accessory Kits			
Part	Description	Part	Description
99139	Chute Middle Section/Extension Kit	78402†	Vehicle-Side Harness Kit
99686	License Plate Light Kit	99488	Hopper Side Extension Kit
99505-1	Primary Work Light Kit	92532	Truck Mount Kit, 2 Bars – 7' & 8' Hoppers
99732-1	Secondary Work Light Kit	92533	Truck Mount Kit, 3 Bars – 9' Hopper
99494	Strobe Light Kit	99690	Tie-Down Kit SH, Chain
76668*	Vibrator Kit		

* Requires installation of 76669 Vibrator Adapter Service Kit.

† Contains all vehicle-side electrical components except control.

Liquid Kits			
Part	Description	Part	Description
76400	Standard Pump Kit, ON-OFF System	76425	50-Gallon Tank Kit (2 x 25 gal)
76420	Deluxe Pump Kit, Full-Feature System	76450	100-Gallon Tank Kit (2 x 50 gal)
76405	Pre-Wet Pump Switch Kit		

STEEL-CASTER™ HOPPER SPREADER



Fisher Engineering
50 Gordon Drive
Rockland, ME 04841-2139
www.fisherplows.com

A DIVISION OF FISHER, LLC

Copyright © 2023 Douglas Dynamics, LLC. All rights reserved. This material may not be reproduced or copied, in whole or in part, in any printed, mechanical, electronic, film, or other distribution and storage media, without the written consent of Fisher Engineering. Authorization to photocopy items for internal or personal use by Fisher Engineering outlets or spreader owner is granted.

Fisher Engineering reserves the right under its product improvement policy to change construction or design details and furnish equipment when so altered without reference to illustrations or specifications used. Fisher Engineering or the vehicle manufacturer may require or recommend optional equipment for spreaders. Do not exceed vehicle ratings with a spreader. Fisher Engineering offers a limited warranty for all spreaders and accessories. See separately printed page for this important information. The following are registered (®) or unregistered (™) trademarks of Douglas Dynamics, LLC: FISHER®, STEEL-CASTER™.

Printed in U.S.A.