

35304

MOUNT KIT

LS MT1 Series Tractors

2018-__

Installation Instructions

▲ CAUTION

Read this document before installing the snowplow.

▲ CAUTION

See your sales outlet/website for specific vehicle application recommendations before installation. The online selection system has specific vehicle and snowplow requirements.

SAFETY DEFINITIONS

⚠ WARNING

Indicates a potentially hazardous situation that, if not avoided, could result in death or serious personal injury.

⚠ CAUTION

Indicates a potentially hazardous situation that, if not avoided, may result in minor or moderate injury. It may also be used to alert against unsafe practices.

NOTE: Indicates a situation or action that can lead to damage to your snowplow and vehicle or other property. Other useful information can also be described.

Mount Caution Label

⚠ CAUTION

Loader **MUST** be removed before attaching snowplow.

Failure to do so may overload front axle or cause equipment interference, damaging tractor or snowplow.

77506.00

WARNING/CAUTION & INSTRUCTION LABELS

Become familiar with and inform users about the warning and instruction labels on the back of the blade.

NOTE: If labels are missing or cannot be read, see your sales outlet.

Warning/Caution Label

⚠ WARNING

Blade could drop unexpectedly, crushing or trapping limbs. Lower blade when vehicle is parked.

Overloading could negatively affect vehicle handling. To avoid serious injury or death, do not exceed GVWR or GAWR including blade and ballast.

⚠ CAUTION

Read Owner's Manual before operating or servicing snowplow.

Transport speed should not exceed 45 mph (72 km/h). Further reduce speed under adverse travel conditions.

Plowing speed should not exceed 10 mph (16 km/h).

See your sales outlet/website for specific vehicle application recommendations.

89905.14

Instruction Label

ATTACH

- Slowly drive vehicle forward to engage rear receiver pins into headgear slots. Apply vehicle parking brake.
- Hold down **lock lever** and move **hitch pin handle** out of the **handle lock notch**, allowing spring to move the hitch pin handle forward.
- Plug in electrical harness.
- Turn plow control in vehicle ON and activate FLOAT.
- Stand in front of blade. Push top of headgear toward vehicle to allow hitch pins to fully engage hitch pin holes.
- Verify the lock pin is engaged in the forward hole in the lock pin bracket.
- Remove hairpin, adjustment pin, & stand.

DETACH

- With blade straight, lower snowplow to the ground. Activate FLOAT, then turn plow control in vehicle OFF. Apply vehicle parking brake.
- Unplug electrical harness.
- Insert stand through slot in the passenger side headgear horn. Adjust stand as far down as possible, insert adjustment pin, and secure with a hairpin.
- Hold down lock lever to disengage the lock pin and move the hitch pin handle rearward to fully disengage hitch pins from receivers.
- Move hitch pin handle into handle lock notch.

⚠ WARNING

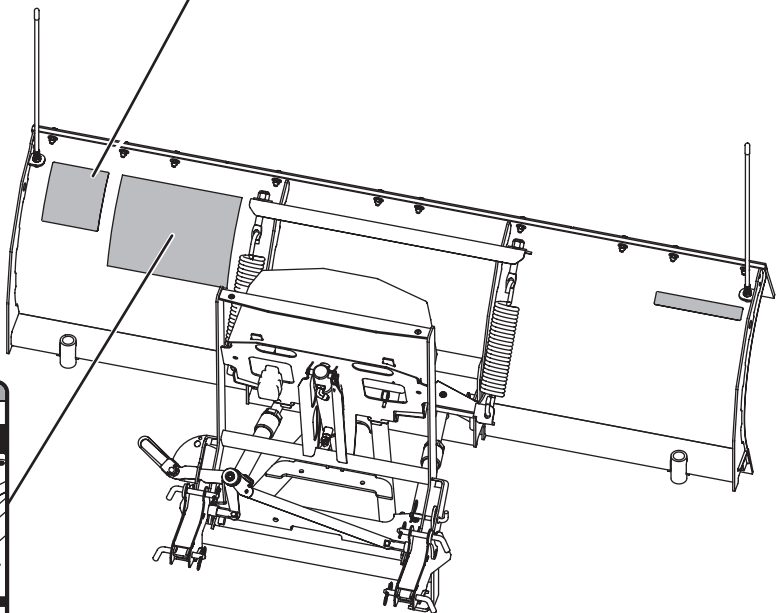
Keep fingers away from snowplow and UTV attachment points.

ATTACH - Steps 2, 6, & 7
DETACH - Step 3

DETACH - Steps 4 & 5

Labels include diagrams of the hitch pin mechanism with parts labeled: Adjustment Pin, Lock Lever, Lock Pin Bracket, Handle Lock Notch, Hitch Pin Handle, Lock Pin, Lock Pin Bracket, High Pin Receiver, Headgear, Blade, Stand, Headgear Slots, Rear Receiver Pins.

89905.14
Read Owner's Manual for complete instructions.



SAFETY PRECAUTIONS

Improper installation and operation could cause personal injury and/or equipment and property damage. Read and understand labels and the Owner's Manual before installing, operating, or making adjustments.

⚠ WARNING

Lower the blade when vehicle is parked. Temperature changes could change hydraulic pressure, causing the blade to drop unexpectedly or damaging hydraulic components. Failure to do this could result in serious personal injury.

⚠ WARNING

The driver shall keep bystanders clear of the blade when it is being raised, lowered, or angled. Do not stand between vehicle and blade or within 8 feet of a moving blade. A moving or falling blade could cause personal injury.

⚠ WARNING

Keep hands and feet clear of the blade and A-frame when mounting or removing the snowplow. Moving or falling assemblies could cause personal injury.

⚠ WARNING

To prevent accidental movement of the blade, always turn the control OFF whenever the snowplow is not in use. The power indicator light will turn OFF.

⚠ WARNING

Remove blade assembly before placing vehicle on hoist.

⚠ CAUTION

Refer to the online selection system for minimum vehicle recommendations and ballast requirements.

PERSONAL SAFETY

- Remove the ignition key and set the vehicle parking brake to prevent others from starting the vehicle during installation or service.
- Wear only snug-fitting clothing while working on your vehicle or snowplow.
- Do not wear jewelry or a necktie, and secure long hair.
- Wear safety goggles to protect your eyes from battery acid, gasoline, dirt, and dust.
- Avoid touching hot surfaces such as the engine, radiator, hoses, and exhaust pipes.
- Always have a fire extinguisher rated BC handy, for flammable liquids and electrical fires.

FIRE AND EXPLOSION

⚠ WARNING

Gasoline is highly flammable and gasoline vapor is explosive. Never smoke while working on vehicle. Keep all open flames away from gasoline tank and lines. Wipe up any spilled gasoline immediately.

Be careful when using gasoline. Do not use gasoline to clean parts. Store only in approved containers away from sources of heat or flame.

CELL PHONES

A driver's first responsibility is the safe operation of the vehicle. The most important thing you can do to prevent a crash is to avoid distractions and pay attention to the road. Wait until it is safe to operate mobile communication equipment such as cell phones, text messaging devices, pagers, or two-way radios.

VENTILATION

⚠ WARNING

Vehicle exhaust contains lethal fumes. Breathing these fumes, even in low concentrations, can cause death. Never operate a vehicle in an enclosed area without venting exhaust to the outside.

NOISE

Airborne noise emission during use is below 70 dB(A) for the snowplow operator.





VIBRATION





Operating snowplow vibration does not exceed 2.5 m/s² to the hand-arm or 0.5 m/s² to the whole body.

TORQUE CHART

⚠ CAUTION

Read instructions before assembling. Fasteners should be finger tight until instructed to tighten according to the torque chart. Use standard methods and practices when attaching snowplow, including proper personal protective safety equipment.

Recommended Fastener Torque Chart					
Inch Fasteners Grade 5 and Grade 8					
Size	Torque (ft-lb)		Size	Torque (ft-lb)	
	 Grade 5	 Grade 8		 Grade 5	 Grade 8
1/4-20	8.4	11.9	9/16-12	109	154
1/4-28	9.7	13.7	9/16-18	121	171
5/16-18	17.4	24.6	5/8-11	150	212
5/16-24	19.2	27.3	5/8-18	170	240
3/8-16	30.8	43.6	3/4-10	269	376
3/8-24	35.0	49.4	3/4-16	297	420
7/16-14	49.4	69.8	7/8-9	429	606
7/16-20	55.2	77.9	7/8-14	474	669
1/2-13	75.3	106.4	1-8	644	909
1/2-20	85.0	120.0	1-12	704	995

Metric Fasteners Class 8.8 and 10.9					
Size	Torque (ft-lb)		Size	Torque (ft-lb)	
	 Class 8.8	 Class 10.9		 Class 8.8	 Class 10.9
M6 x 1.00	7.7	11.1	M20 x 2.50	325	450
M8 x 1.25	19.5	26.9	M22 x 2.50	428	613
M10 x 1.50	38.5	53.3	M24 x 3.00	562	778
M12 x 1.75	67	93	M27 x 3.00	796	1139
M14 x 2.00	107	148	M30 x 3.50	1117	1545
M16 x 2.00	167	231	M33 x 3.50	1468	2101
M18 x 2.50	222	318	M36 x 4.00	1952	2701

These torque values apply to fasteners except those noted in the instructions.

INSTALLATION INSTRUCTIONS

NOTE: For easier assembly and installation, the vehicle and all snowplow components should be on a smooth, level, hard surface, such as concrete.

1. Remove the loader, if so equipped. The loader may be re-attached after the mount installation is complete.
2. Remove the four OEM M12 cap screws with washers from the front of the tractor, and remove the front grille guard. Retain guard for reinstallation in Step 7.



3. At the front end of the tractor, remove the two OEM M12 cap screws with washers from both left-hand and right-hand sides of the engine frame. The mount side plates will be fastened into these holes in the following steps.



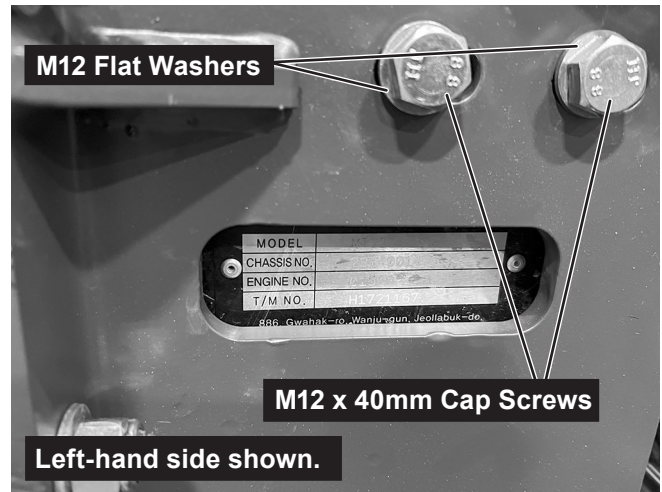
- Position the right-hand side plate against the right side of the engine frame, lining up the holes in the plate to those in the engine frame.



- Place one M12 washer on each of two M12 x 40mm cap screws. Install the cap screws with washers through the side plate, and into the engine-frame holes in the tractor. Keep fasteners loose.



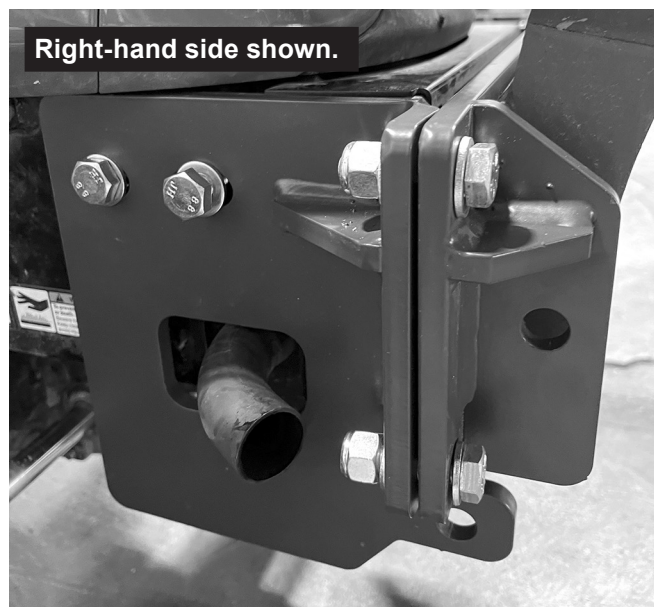
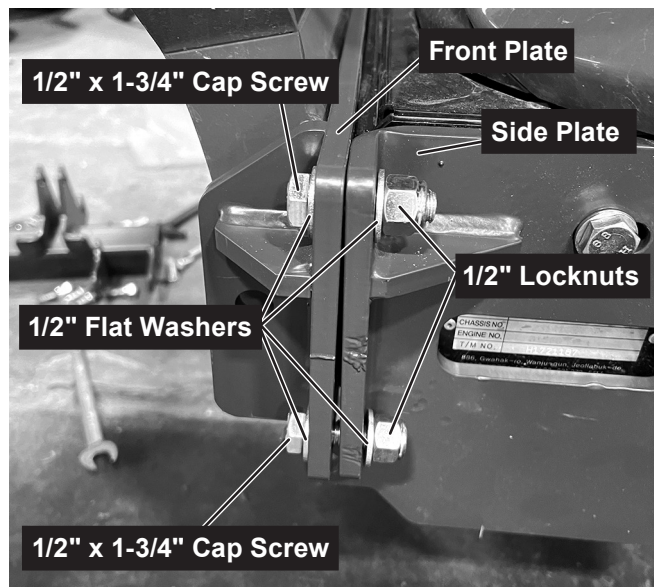
- Repeat Steps 4 and 5 on the left-hand side of the tractor, installing the left-hand side plate.



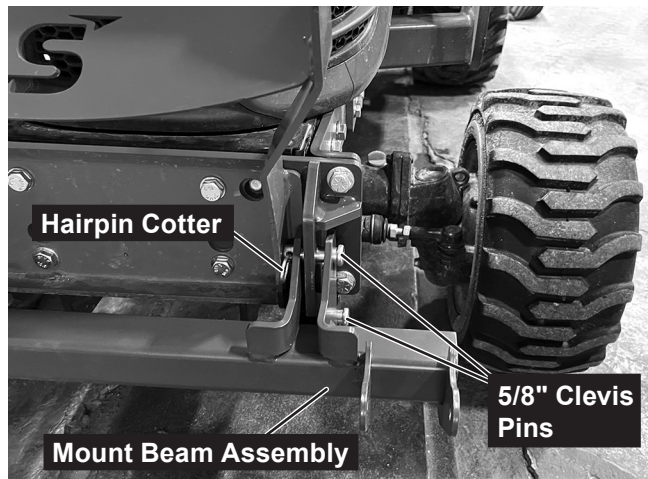
- Place one M12 flat washer on each of four M12 x 50mm cap screws and install them through the grille guard, through the supplied front plate, and secure fasteners into the front plate on the tractor frame. Tighten, but do not torque the fasteners at this time.



8. Place one 1/2" washer onto each of the four 1/2" x 1-3/4" cap screws. Fasten the front plate to the side plates by inserting the cap screws with washers through the front plate and into the side plates on each side, securing each cap screw with a 1/2" washer and 1/2" locknut. Keep fasteners loose.



9. Pin the mount beam assembly to the front plate and side plates using two 5/8" clevis pins and two hairpin cotters on each side, inserting the pins from the outside.



10. Tighten all fasteners according to the torque chart.

11. Measure the distance between the mount beam rear hole and the ground. If it exceeds 11-1/2", install the accessory Height Adapter Plate Kit (PN 77555) to ensure optimum plowing performance.



NOTE: The mount beam must be removed before the loader is reinstalled. The mount beam is designed to be easily removed for this purpose.

NOTE: After five to ten hours of snowplow usage, retorque all mount assembly fasteners.

The company reserves the right under its product improvement policy to change construction or design details and furnish equipment when so altered without reference to illustrations or specifications used. This equipment manufacturer or the vehicle manufacturer may require or recommend optional equipment for snow removal. Do not exceed vehicle ratings with a snowplow. The company offers a limited warranty for all snowplows and accessories. See separately printed page for this important information.

Printed in U.S.A.
