



Western Products
 PO Box 245038
 Milwaukee, WI 53224-9538
 www.westernplows.com

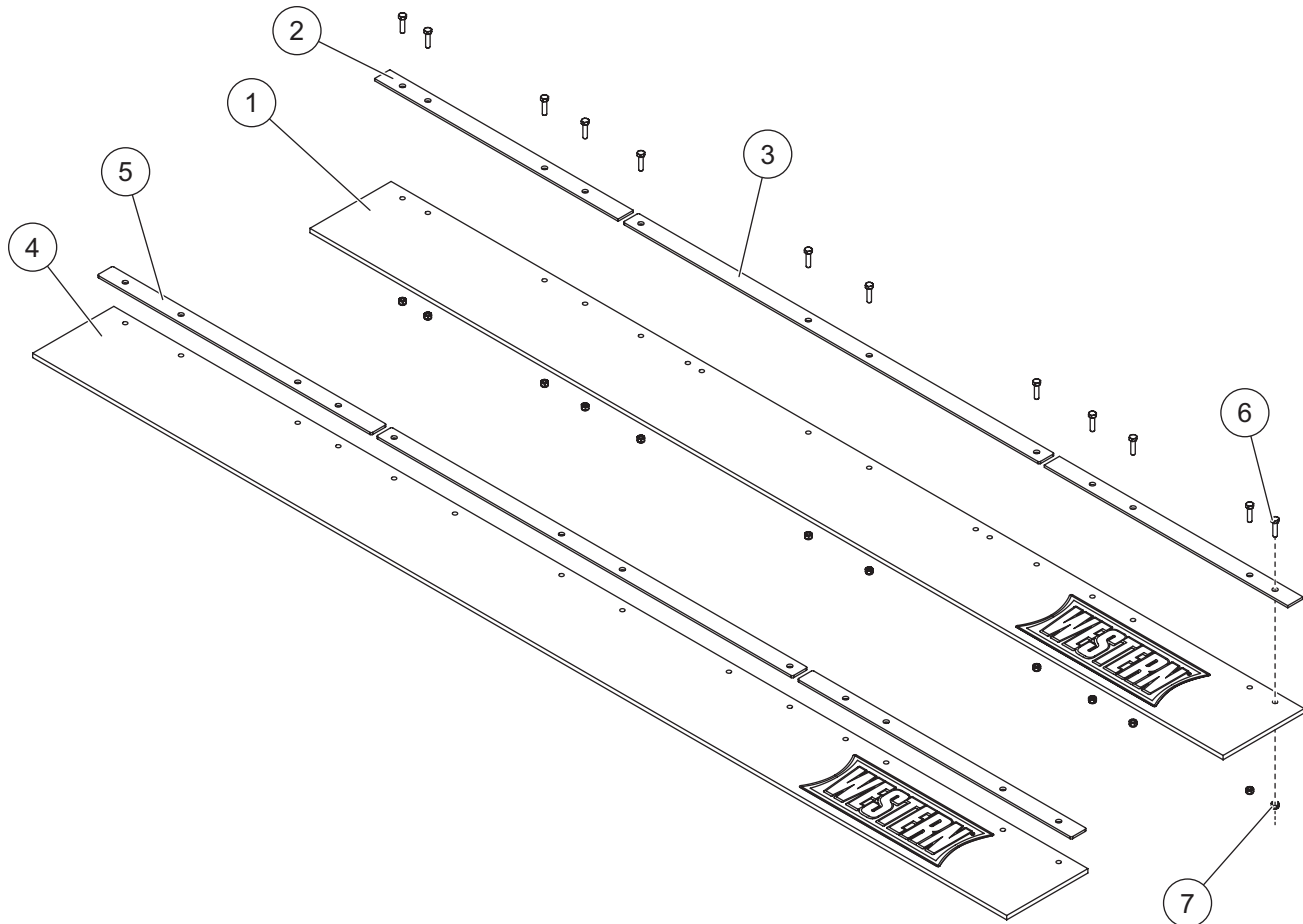
DD A DIVISION OF DOUGLAS DYNAMICS, LLC

94075, 94080

Rubber Deflector Kit

Parts List & Installation Instructions

PARTS LIST



94075 Rubber Deflector Kit – 7'6" Blades							
Item	Part	Qty	Description	Item	Part	Qty	Description
1	62149-1	1	Rubber Deflector – 7'6"	3	94265	1	Retainer Bar, Inner
2	64803	2	Retainer Bar, Outer	ns	62397	1	Bolt Bag
94080 Rubber Deflector Kit – 8' Blades							
Item	Part	Qty	Description	Item	Part	Qty	Description
4	62394-1	1	Rubber Deflector – 8'	3	94265	1	Retainer Bar, Inner
5	94260	2	Retainer Bar, Outer	ns	62397	1	Bolt Bag
62397 Bolt Bag							
6		12	5/16-18 x 1-1/4 Hex Cap Screw G5	7		12	5/16-18 Hex Locknut GB
ns = not shown				G = Grade			

INSTALLATION INSTRUCTIONS

⚠ WARNING

Do not exceed GVWR or GAWR, including blade and ballast. The rating label is found on the driver-side vehicle door cornerpost.

⚠ CAUTION

Read this document before installing the Rubber Deflector Kit.

⚠ CAUTION

Use standard methods and practices when attaching snowplow and installing accessories, including proper personal protective safety equipment.

⚠ CAUTION

See your WESTERN® outlet/website for specific vehicle application recommendations before installation. Rubber Deflector weight information may be found in the Selection List.

INSTALLATION INSTRUCTIONS

1. Park the vehicle on a smooth, level, hard surface, such as concrete. Lower the blade to the ground, and turn the control OFF. Disconnect the snowplow from the vehicle, or turn the vehicle ignition to the "OFF" position and remove the key.
2. Loosely attach the deflector and the retainer bars to the blade curl with 5/16" x 1-1/4" cap screws and 5/16" locknuts.
3. Tighten all fasteners to 18 ft-lb.

Copyright © 2024 Douglas Dynamics, LLC. All rights reserved. This material may not be reproduced or copied, in whole or in part, in any printed, mechanical, electronic, film, or other distribution and storage media, without the written consent of Western Products. Authorization to photocopy items for internal or personal use by Western Products outlets or snowplow owner is granted.

Western Products reserves the right under its product improvement policy to change construction or design details and furnish equipment when so altered without reference to illustrations or specifications used. Western Products or the vehicle manufacturer may require or recommend optional equipment for snow removal. Do not exceed vehicle ratings with a snowplow. Western Products offers a limited warranty for all snowplows and accessories. See separately printed page for this important information. The following are registered (®) or unregistered (™) trademarks of Douglas Dynamics, LLC: UltraMount® 2, WESTERN®.

Printed in U.S.A.