



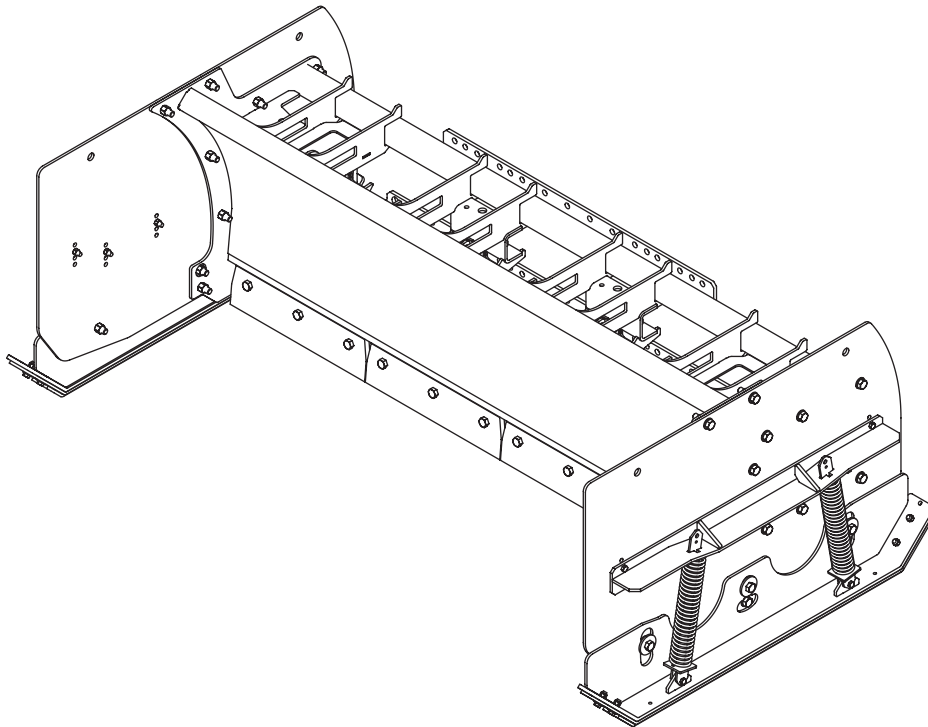
PILE DRIVER™

PILE DRIVER™ Snowplow

**30708, 30708-1, 31616, 31616-1, 30710, 30710-1,
32016, 32016-1, 30712, 30712-1, 32058, 32058-1,
30714, 30714-1, 30716, 30716-1**

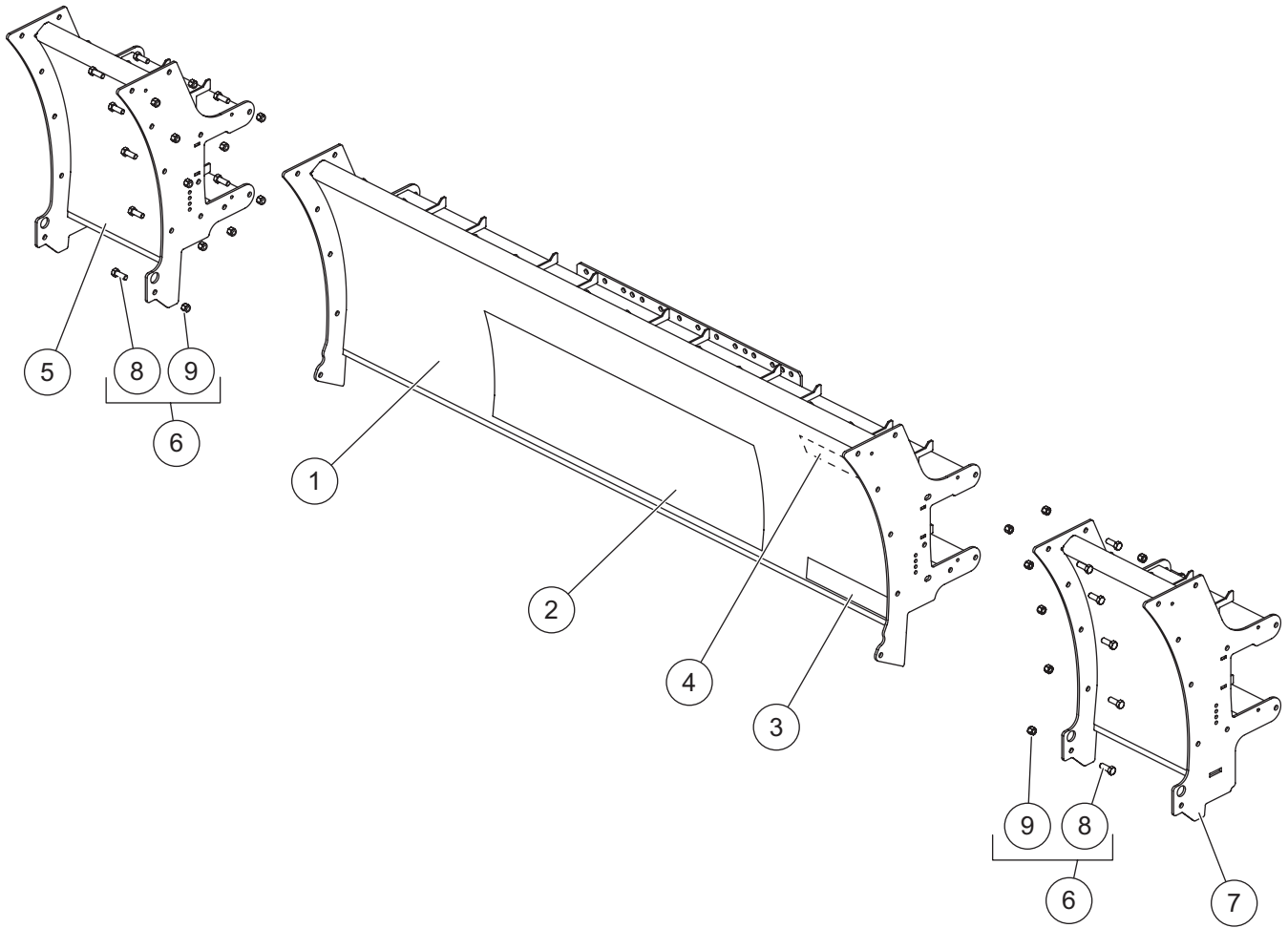
TRACE™ Trip Edge Pusher Plow

Parts List



PILE DRIVER™ BLADE

Blade Components



PILE DRIVER™ BLADE

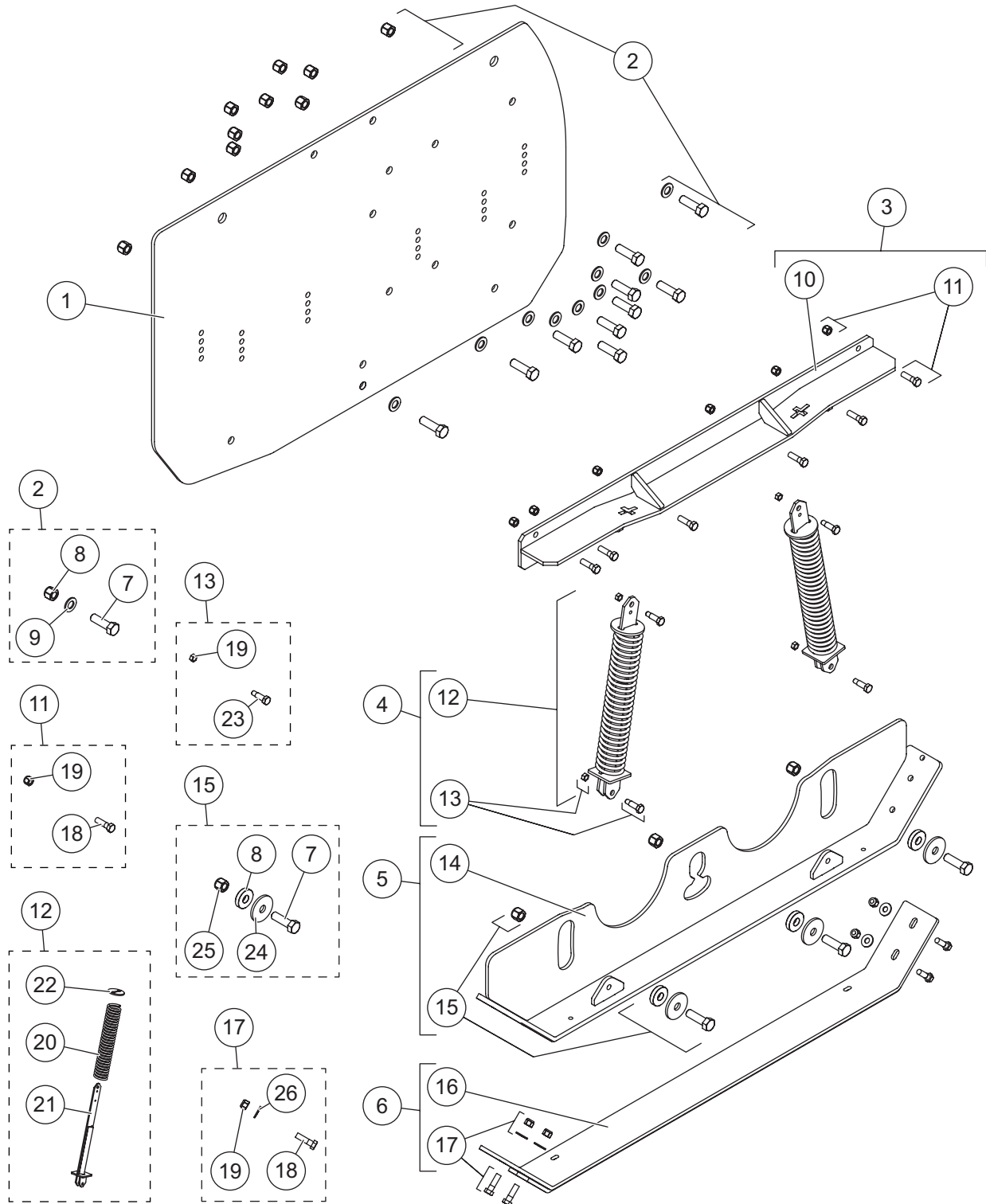
Blades					
Length	Height	Pusher Plow Model	Blade Kit	LH 2' Extension Kit	RH 2' Extension Kit
8'	30"	31616/31616-1	81465		
8'	36"	30708/30708-1	81473		
10'	30"	32016/32016-1	81466		
10'	36"	30710/30710-1	81474		
10'	42"	32058/32058-1	81492		
12'	42"	30712/30712-1	81475		
14'	42"	30714/30714-1	81492	81941	81942
16'	42"	30716/30716-1	81475	81941	81942

Blade Components							
Item	Part	Qty	Description	Item	Part	Qty	Description
81465 8' 30" Blade Kit							
1	81770	1	8' 30" Blade	3	31220	1	Label – Logo, TRACE White SM
2	31211	1	Label – Logo, PILE DRIVER SM	4	31225	1	Label – Logo, TRACE White text
81473 8' 36" Blade Kit							
1	81777	1	8' 36" Blade	3	31220	1	Label – Logo, TRACE White SM
2	31212	1	Label – Logo, PILE DRIVER MD	4	31225	1	Label – Logo, TRACE White text
81466 10' 30" Blade Kit							
1	81771	1	10' 30" Blade	3	31220	1	Label – Logo, TRACE White SM
2	31211	1	Label – Logo, PILE DRIVER SM	4	31225	1	Label – Logo, TRACE White text
81474 10' 36" Blade Kit							
1	81778	1	10' 36" Blade	3	31220	1	Label – Logo, TRACE White SM
2	31212	1	Label – Logo, PILE DRIVER MD	4	31225	1	Label – Logo, TRACE White text
81492 10' 42" Blade Kit							
1	81903	1	10' 42" Blade	3	31220	1	Label – Logo, TRACE White SM
2	31212	1	Label – Logo, PILE DRIVER MD	4	31225	1	Label – Logo, TRACE White text
81475 12' 42" Blade Kit							
1	81779	1	12' 42" Blade	3	31221	1	Label – Logo, TRACE White LG
2	31213	1	Label – Logo, PILE DRIVER LG	4	31225	1	Label – Logo, TRACE White text
81941 2' LH Extension Kit							
5	81901	1	2' LH Extension	6	79937	1	Bolt Bag – 2' Extension
81942 2' RH Extension Kit							
6	79937	1	Bolt Bag – 2' Extension	7	81902	1	2' RH Extension
Item 6 79937 Bolt Bag, 2' Extension							
8	90459	10	3/4-10 x 2-1/2 Hex Cap Screw G5	9		10	3/4-10 Hex Locknut GB
Blade Accessories							
ns*	85733	1	8' Back Drag Edge Kit	ns*	85735	1	12' Back Drag Edge Kit
ns*	85734	1	10' Back Drag Edge Kit				
G = Grade				ns = not shown			

* Accessory only

PILE DRIVER™ SIDE PLATES

Side Plate Components



PILE DRIVER™ SIDE PLATES

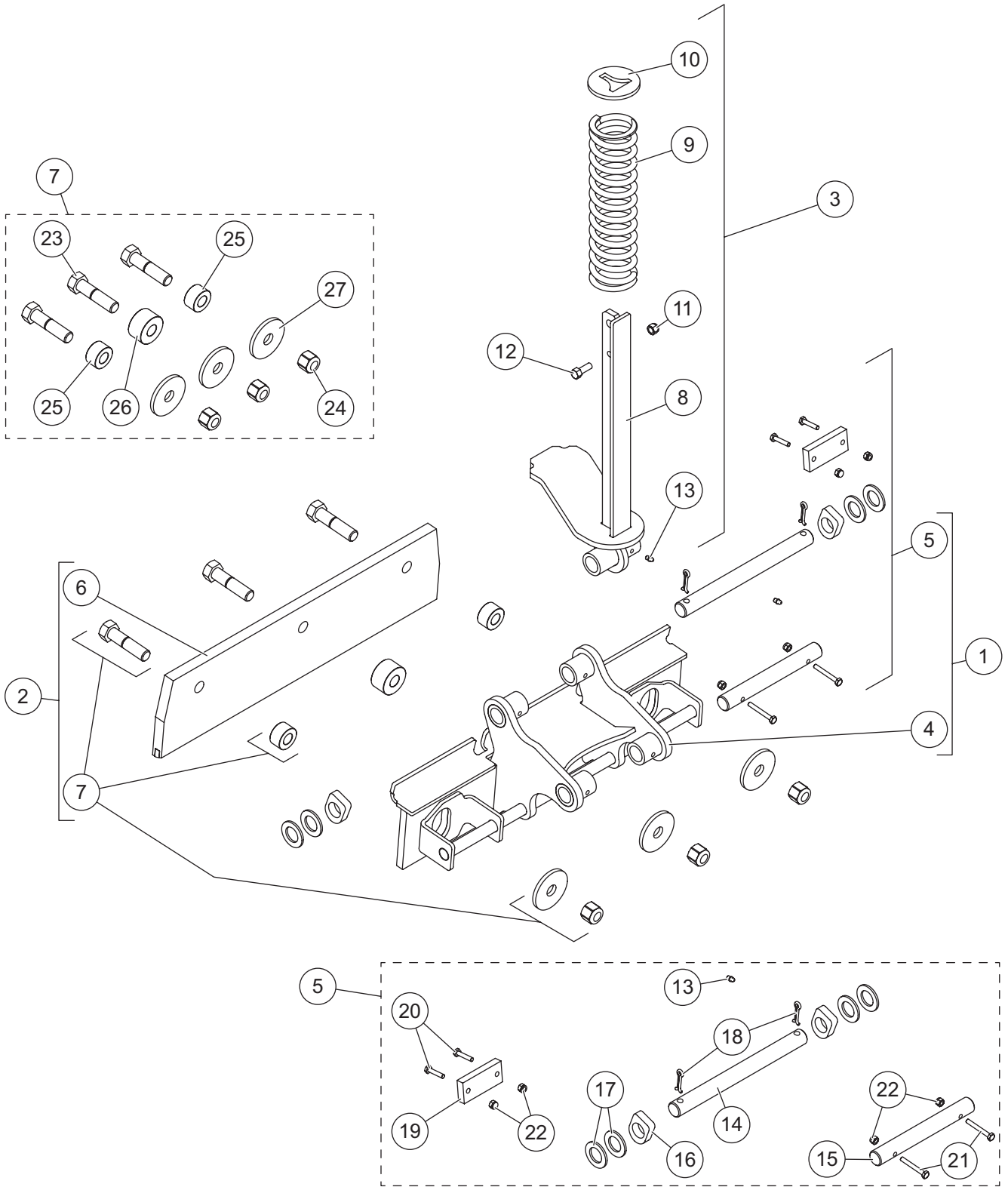
Side Plate Components					
Plow	Side Plate Kit	Description	Side Plate Part	Label Part	Label Description
31616/31616-1/32016/32016-1	81502	Side Plate Kit, 30" – DS	81784	31044	Label – Logo, WESTERN® LG
	81591	Side Plate Kit, 30" – PS	81784	31044	Label – Logo, WESTERN LG
30708/30708-1/30710/30710-1	81505	Side Plate Kit, 36" – DS	81787	31044	Label – Logo, WESTERN LG
	81594	Side Plate Kit, 36" – PS	81787	31044	Label – Logo, WESTERN LG
32058/32058-1/30712/30712-1/ 30714/30714-1/30716/30716-1	81508	Side Plate Kit, 42" – DS	81792	31044	Label – Logo, WESTERN LG
	81596	Side Plate Kit, 42" – PS	81792	31044	Label – Logo, WESTERN LG

81502/81505/81508/81591/81594/81596 Side Plate Kits							
Item	Part	Qty	Description	Item	Part	Qty	Description
1		1	Side Plate	5	79968	1	Pivot Shoe Kit
2	81522	1	Bolt Bag – Side Plate	6	79823	1	Wear Shoe Kit
3	79957	1	Spring Bracket Kit	ns		1	Label – Logo, WESTERN
4	79962	2	Spring Kit with Bolts				
Item 2				81522 Bolt Bag – Side Plate			
7		10	3/4-10 x 2-1/2 Hex Cap Screw G5	9		10	3/4 Flat Washer, Type A Narrow
8		10	3/4-10 Hex Locknut GB				
Item 3				79957 Spring Bracket Kit			
10	83237	1	Side Spring Bracket	11	79958	1	Bolt Bag – Spring Bracket Kit
Item 4				79962 Spring Kit with Bolts			
12	81700	1	Spring Assembly Kit	13	79963	2	Bolt Bag – Spring Kit
Item 5				79968 Pivot Shoe Kit			
14	89442	1	Pivot Shoe	15	79971	1	Bolt Bag – Pivot Shoe Kit
Item 6				79823 Wear Shoe Kit			
16	86974	1	Wear Shoe	17	79824	1	Bolt Bag – Wear Shoe Kit
Item 11				79958 Bolt Bag – Spring Bracket Kit			
18		6	1/2-13 x 1-3/4 Hex Cap Screw G5	19		6	1/2-13 Hex Locknut GB
Item 12				81700 Spring Assembly Kit			
20	50572	1	Trip Spring – 42.5 lb/in	22	20191	1	Disc, Spring, Uncoated
21	81751	1	Spring Bar – Blk				
Item 13				79963 Bolt Bag – Spring Kit			
19		1	1/2-13 Hex Locknut GB	23		1	1/2-13 x 2 Hex Cap Screw G5
Item 15				79971 Bolt Bag – Pivot Shoe Kit			
7		3	3/4-10 x 2-1/2 Hex Cap Screw G5	24	86999	3	Stopper Plate
8		3	3/4-10 Hex Locknut GB	25	89446	3	Bushing, Spacer 2 x 0.78125 x 0.44
Item 17				79824 Bolt Bag – Wear Shoe Kit			
18		4	1/2-13 x 1-3/4 Hex Cap Screw G5	26		4	1/2 Flat Washer, Type B Regular
19		4	1/2-13 Hex Locknut GB				
Side Plate Accessory							
ns*	89940	1	Low Wear Shoe Kit				
						G = Grade	

* Accessory only.

TRACE™ TRIP EDGE

TRACE Trip Edge Components



TRACE™ TRIP EDGE

Length	Height	Pusher Plow	TRACE Trip Edge
		Model	Qty
8'	30"	31616/31616-1	4
8'	36"	30708/30708-1	4
10'	30"	32016/32016-1	5
10'	36"	30710/30710-1	5
10'	42"	32618/32618-1	5
12'	42"	30712/30712-1	6
14'	42"	30714/30714-1	7
16'	42"	30716/30716-1	8

TRACE Trip Edge Components							
Item	Part	Qty	Description	Item	Part	Qty	Description
1	79964*	1	Trip Edge Kit	3	79986‡	1	Spring Bar Kit
2	79966†	1	Cutting Edge Kit				
Item 1				79964* Trip Edge Kit			
4	89984	1	Base Angle	5	79965	1	Bolt Bag – Trip Edge
Item 2				79966† Cutting Edge Kit			
6	87999	1	Cutting Edge with Inserts	7	79967	1	Bolt Bag – Cutting Edge
Item 3				79986‡ Spring Bar Kit			
8	89993	1	Spring Bar	11		1	3/8-16 Hex Locknut GB
9	5323	1	Trip Spring – 143 lb/in	12		1	3/8-16 x 1 Hex Cap Screw G5
10	89992	1	Spring Plate	13		1	Grease Fitting
Item 5				79965 Bolt Bag – Trip Edge			
13		1	Grease Fitting	18		2	1/4 x 1-1/2 Cotter Pin
14	86989	1	1 x 11-1/8 Rod, Lower	19	89900	1	Spring Cartridge Guide
15	89986	1	Pivot Pin, Lower	20		2	1/4-20 x 1-1/4 Hex Cap Screw G5
16	89985	2	Bearing Block	21		2	1/4-20 x 2 Hex Cap Screw G8
17	91192	4	Flat Washer Special	22		4	1/4-20 Hex Locknut GB
Item 7				79967 Bolt Bag – Cutting Edge			
23		3	3/4-10 x 3 Hex Cap Screw G5	26	86998	1	Bushing, Edge, Large
24		3	3/4-10 Hex Locknut	27	86999	3	Stopper Plate
25	86997	2	Bushing, Edge, Small				
G = Grade							

* Single trip edge per kit.

† Single cutting edge per kit.

‡ Single spring bar per kit.



Western Products
PO Box 245038
Milwaukee, WI 53224-9538
www.westernplows.com

 **A DIVISION OF DOUGLAS DYNAMICS, LLC**

Copyright © 2024 Douglas Dynamics, LLC. All rights reserved. This material may not be reproduced or copied, in whole or in part, in any printed, mechanical, electronic, film, or other distribution and storage media, without the written consent of Western Products. Authorization to photocopy items for internal or personal use by Western Products outlets or snowplow owner is granted.

Western Products reserves the right under its product improvement policy to change construction or design details and furnish equipment when so altered without reference to illustrations or specifications used. Western Products or the vehicle manufacturer may require or recommend optional equipment for snow removal. Do not exceed vehicle ratings with a snowplow. Western Products offers a limited warranty for all snowplows and accessories. See separately printed page for this important information. The following are registered (®) or unregistered (™) trademarks of Douglas Dynamics, LLC: PILE DRIVER™, TRACE™, WESTERN®.

Printed in U.S.A.