



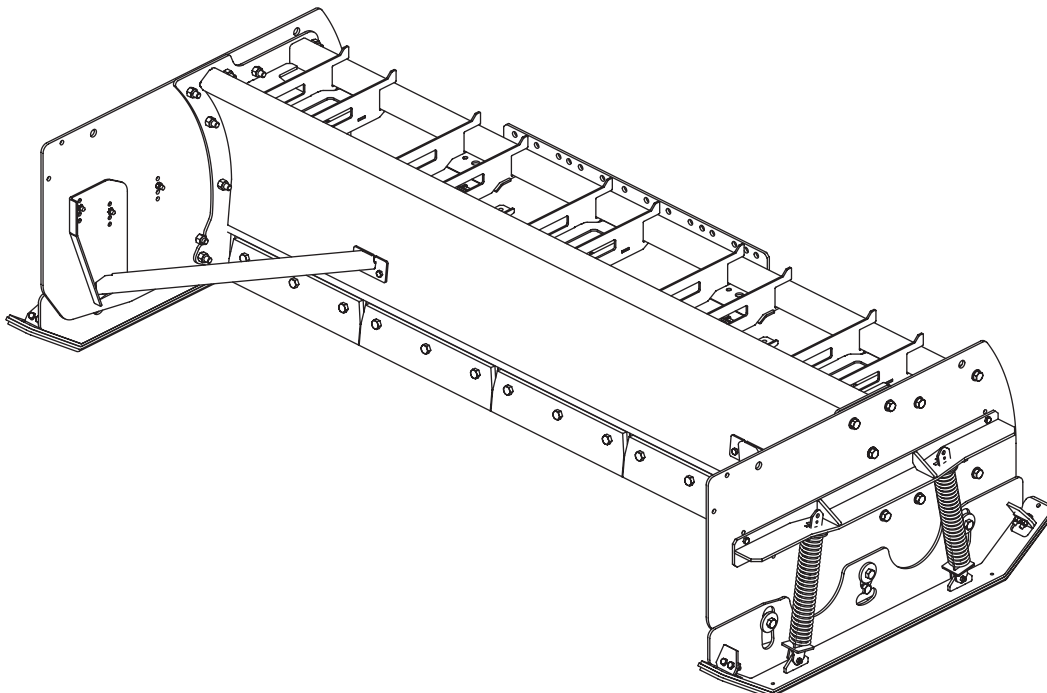
PILE DRIVER™

PILE DRIVER™ Snowplow

**30708/-1/-2, 31616/-1/-2/-3, 30710/-1/-2, 32016/-1/-2/-3
30712/-1/-2/-3, 32058/-1/-2/-3, 30714/-1/-2/-3,
30716/-1/-2/-3, 32721/-1/-2/-3, 32734/-1/-2/-3,
32736/-1/-2/-3**

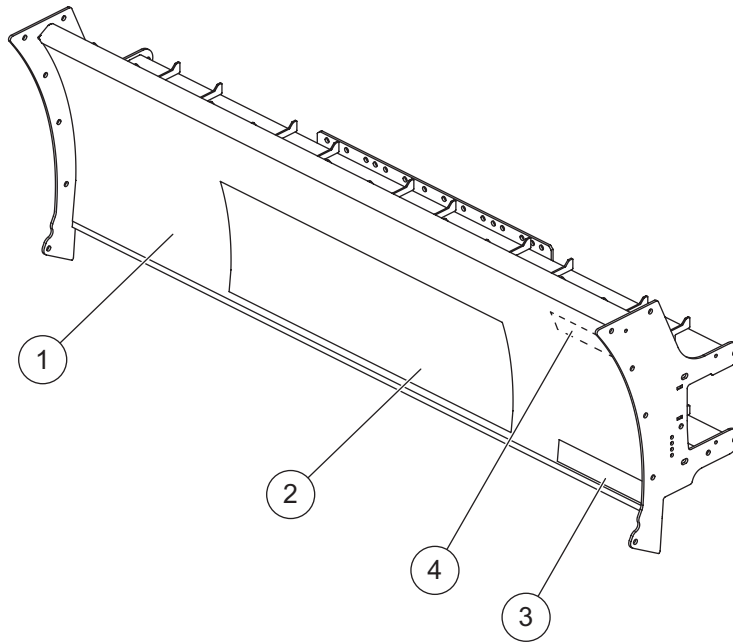
TRACE™ Trip Edge Pusher Plow

Parts List



PILE DRIVER™ BLADE

Blade Components



PILE DRIVER™ BLADE

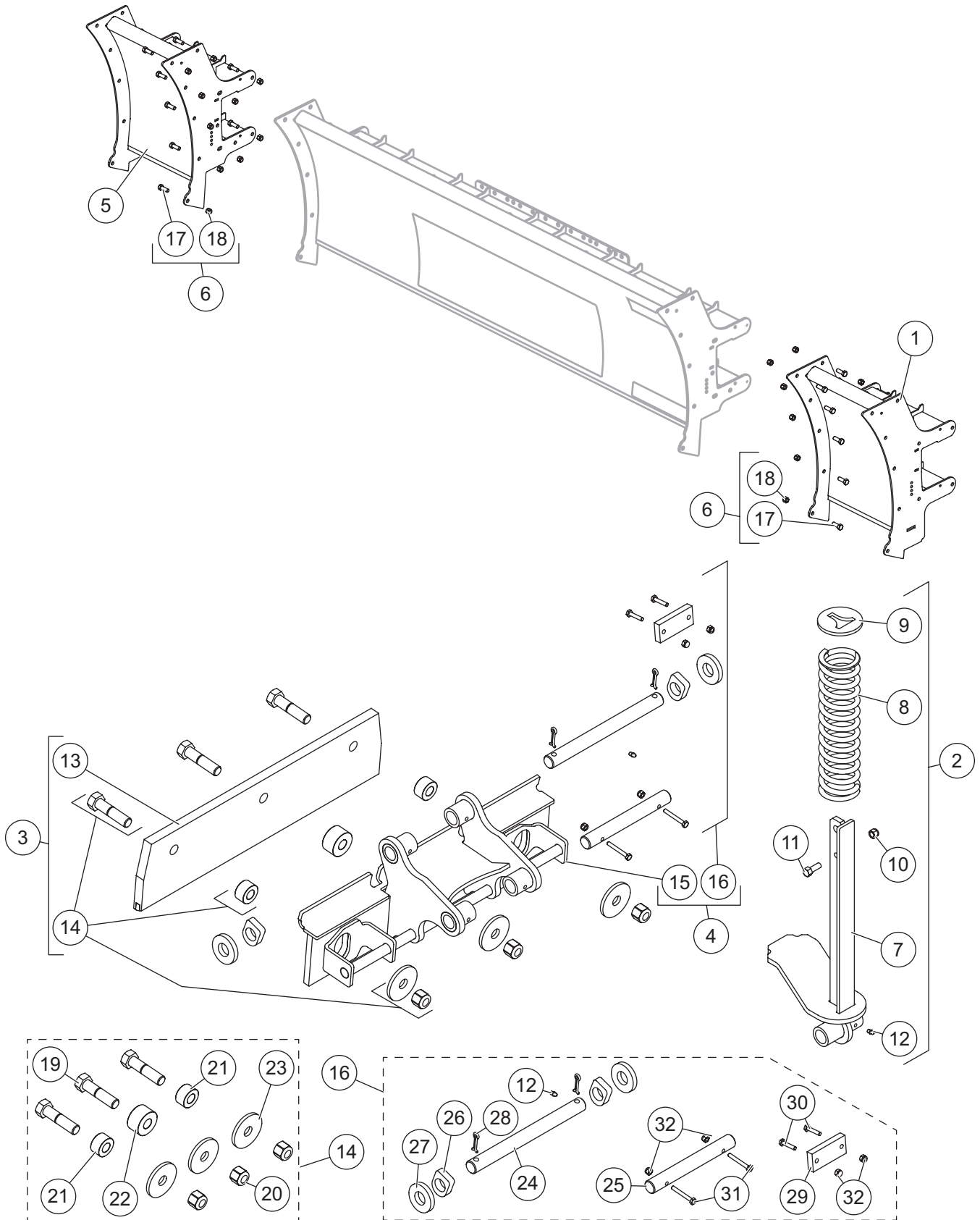
Blades					
Length	Height	Pusher Plow Model	Blade Kit	LH 2' Extension Kit	RH 2' Extension Kit
8'	30"	31616 / 31616-1 / 31616-2 / 31616-3	81465		
8'	36"	30708 / 30708-1 / 30708-2	81473		
10'	30"	32016 / 32016-1 / 32016-2 / 32016-3	81466		
10'	36"	30710 / 30710-1 / 30710-2	81474		
10'	42"	32058 / 32058-1 / 32058-2 / 32058-3	81492		
12'	30"	32721 / 32721-1 / 32721-2 / 32721-3	87983		
12'	42"	30712 / 30712-1 / 30712-2 / 30712-3	81475		
14'	30"	32734 / 32734-1 / 32734-2 / 32734-3	81474	81941	81942
14'	42"	30714 / 30714-1 / 30714-2 / 30714-3	81492	81957	81958
16'	30"	32736 / 32736-1 / 32736-2 / 32736-3	87983	81941	81942
16'	42"	30716 / 30716-1 / 30716-2 / 30716-3	81475	81957	81958

Blade Components							
Item	Part	Qty	Description	Item	Part	Qty	Description
81465 8' 30" Blade Kit							
1	81770	1	8' 30" Blade	3	31220	1	Label – Logo, TRACE™ White SM
2	31211	1	Label – Logo, PILE DRIVER SM	4	31225	1	Label – Logo, TRACE White Text
81473 8' 36" Blade Kit							
1	81777	1	8' 36" Blade	3	31220	1	Label – Logo, TRACE White SM
2	31212	1	Label – Logo, PILE DRIVER MD	4	31225	1	Label – Logo, TRACE White Text
81466 10' 30" Blade Kit							
1	81771	1	10' 30" Blade	3	31220	1	Label – Logo, TRACE White SM
2	31211	1	Label – Logo, PILE DRIVER SM	4	31225	1	Label – Logo, TRACE White Text
81474 10' 36" Blade Kit							
1	81778	1	10' 36" Blade	3	31220	1	Label – Logo, TRACE White SM
2	31212	1	Label – Logo, PILE DRIVER MD	4	31225	1	Label – Logo, TRACE White Text
81492 10' 42" Blade Kit							
1	81903	1	10' 42" Blade	3	31220	1	Label – Logo, TRACE White SM
2	31212	1	Label – Logo, PILE DRIVER MD	4	31225	1	Label – Logo, TRACE White Text
87983 12' 30" Blade Kit							
1	81709	1	12' 30" Blade	3	31220	1	Label – Logo, TRACE White SM
2	31211	1	Label – Logo, PILE DRIVER SM	4	31225	1	Label – Logo, TRACE White Text
81475 12' 42" Blade Kit							
1	81779	1	12' 42" Blade	3	31221	1	Label – Logo, TRACE White LG
2	31213	1	Label – Logo, PILE DRIVER LG	4	31225	1	Label – Logo, TRACE White Text
Blade Accessories							
ns*	85733	1	8' Back Drag Edge Kit	ns*	85735	1	12' Back Drag Edge Kit
ns*	85734	1	10' Back Drag Edge Kit				
G = Grade				ns = not shown			

* Accessory only

PILE DRIVER™ EXTENSIONS

Extension Components



PILE DRIVER™ EXTENSIONS

Blades and Extensions						
Length	Height	Pusher Plow Model		Blade Kit	LH 2' Extension Kit	RH 2' Extension Kit
14'	30"	32734 / 32734-1 / 32734-2 / 32734-3		81474	81941	81942
14'	42"	30714 / 30714-1 / 30714-2 / 30714-3		81492	81957	81958
16'	30"	32736 / 32736-1 / 32736-2 / 32736-3		87983	81941	81942
16'	42"	30716 / 30716-1 / 30716-2 / 30716-3		81475	81957	81958

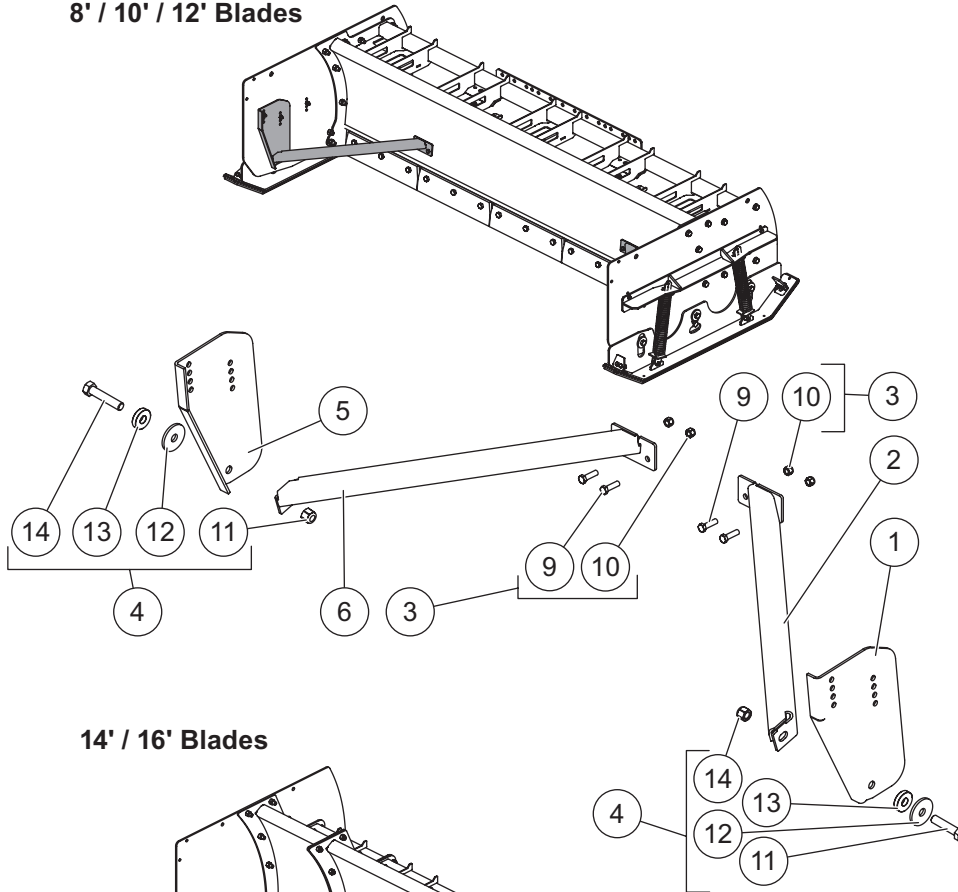
Extension Components							
Item	Part	Qty	Description	Item	Part	Qty	Description
	81941	1	2' LH Extension Kit, 30"		81957	1	2' LH Extension Kit, 42"
	81942	1	2' RH Extension Kit, 30"		81958	1	2' RH Extension Kit, 42"
81941 LH 2' Extension Kit, 30"							
1		1	2' LH Extension	4	81459	1	Trip Edge Kit
2	79986	1	Spring Bar Kit	5	79937	1	Bolt Bag – 2' Extension
3	79966	1	Cutting Edge Kit				
81942 RH 2' Extension Kit, 30"							
2	79986	1	Spring Bar Kit	5	79937	1	Bolt Bag – 2' Extension
3	79966	1	Cutting Edge Kit	6		1	2' RH Extension
4	81459	1	Trip Edge Kit				
81957 LH 2' Extension Kit, 42"							
1		1	2' LH Extension	4	81459	1	Trip Edge Kit
2	79986	1	Spring Bar Kit	5	79937	1	Bolt Bag – 2' Extension
3	79966	1	Cutting Edge Kit				
81958 RH 2' Extension Kit, 42"							
2	79986	1	Spring Bar Kit	5	79937	1	Bolt Bag – 2' Extension
3	79966	1	Cutting Edge Kit	6		1	2' RH Extension
4	81459	1	Trip Edge Kit				
Item 2 79986[±] Spring Bar Kit							
7	89993	1	Spring Bar	10		1	3/8-16 Hex Locknut GB
8	89559	1	Trip Spring – 172 lb/in	11		1	3/8-16 x 1 Hex Cap Screw G5
9	89992	1	Spring Plate	12		1	Grease Fitting
Item 3 79966[±] Cutting Edge Kit							
13	87999	1	Cutting Edge with Inserts	14	79967	1	Bolt Bag – Cutting Edge
Item 4 81459 Trip Edge Kit							
15	89892	1	Base Angle	16	79965	1	Bolt Bag – Trip Edge
Item 6 79937 Bolt Bag, 2' Extension							
17		10	3/4-10 x 2 Hex Cap Screw G5	18		10	3/4-10 Hex Locknut GB
Item 14 79967 Bolt Bag – Cutting Edge							
19		3	3/4-10 x 3 Hex Cap Screw G5	22	86998	1	Bushing, Edge – Large
20		3	3/4-10 Hex Locknut GB, All Metal	23	86999	3	Stopper Plate
21	86997	2	Bushing, Edge – Small				
Item 16 79965 Bolt Bag – Trip Edge							
12		1	Grease Fitting	28		2	1/4 x 1-1/2 Cotter Pin
24	86989	1	1 x 11-1/8 Rod, Lower	29	89900	1	Spring Cartridge Guide
25	89986	1	Pivot Pin, Lower	30		2	1/4-20 x 1-1/4 Hex Cap Screw G5
26	89985	2	Bearing Block	31		2	1/4-20 x 2 Hex Cap Screw G8
27	86991	2	Flat Washer Special	32		4	1/4-20 Hex Locknut GB

G = Grade

PILE DRIVER™ BLADE

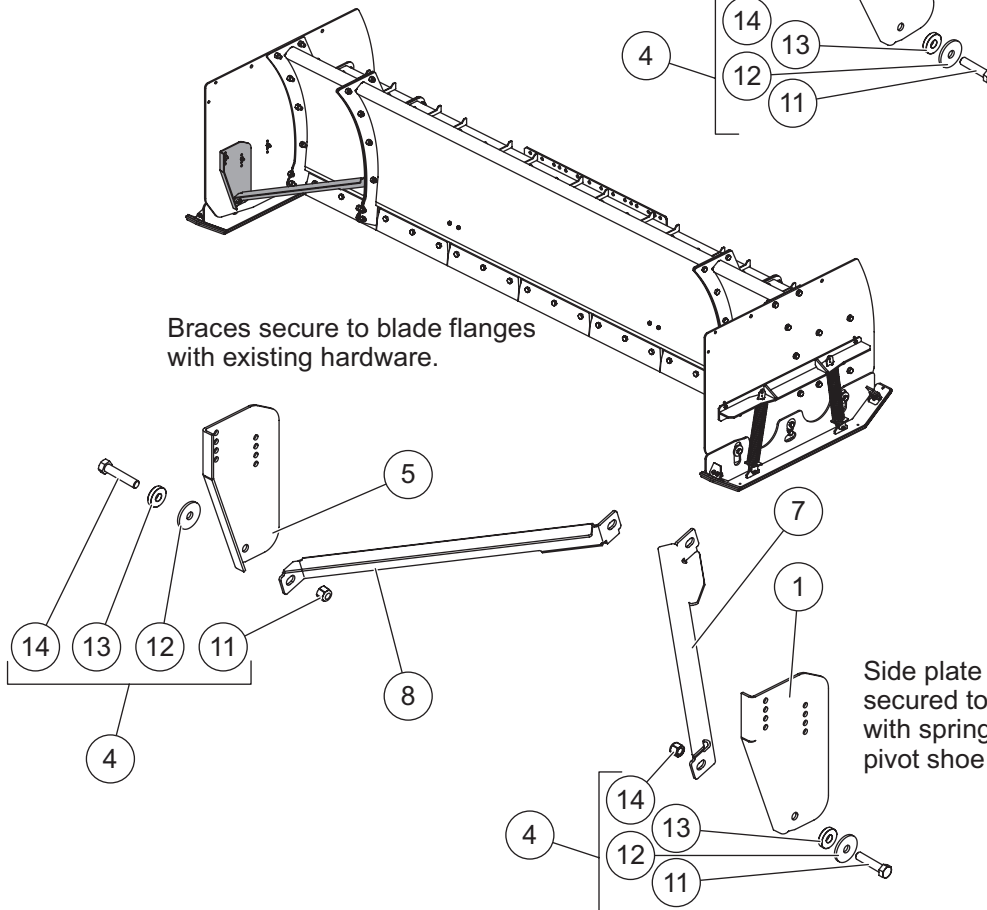
Side Plate Brace Components

8' / 10' / 12' Blades



Side plate brackets are secured to side plates with spring bracket and pivot shoe hardware.

14' / 16' Blades



Braces secure to blade flanges with existing hardware.

Side plate brackets are secured to side plates with spring bracket and pivot shoe hardware.

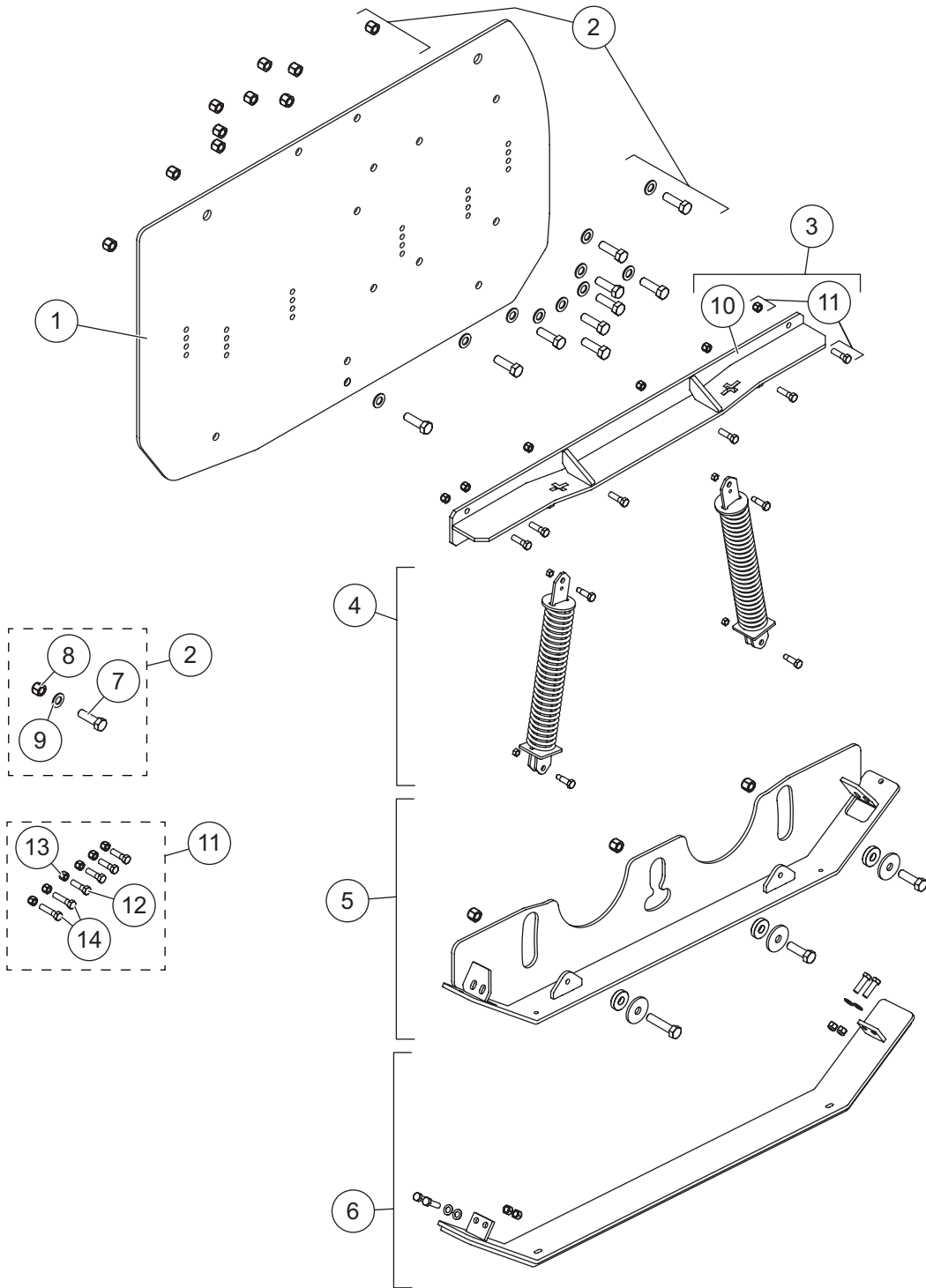
PILE DRIVER™ BLADE

Side Plate Brace Components				
Length	Height	Pusher Plow Model	LH Brace Kit	RH Brace Kit
8'	30"	31616 / 31616-1/ 31616-2	87022	87021
8'	36"	30708 / 30708-1	87022	87021
10'	30"	32016 / 32016-1 / 32016-2	87022	87021
10'	36"	30710 / 30710-1	87022	87021
10'	42"	32058 / 32058-1 / 32058-2	87022	87021
12'	30"	32721 / 32721-1 / 32721-2 / 32721-3	87022	87021
12'	42"	30712 / 30712-1 / 30712-2 / 30712-3	87022	87021
14'	30"	32734 / 32734-1 / 32734-2 / 32734-3	87027	87026
14'	42"	30714 / 30714-1 / 30714-2 / 30714-3	87027	87026
16'	30"	32736 / 32736-1 / 32736-2 / 32736-3	87027	87026
16'	42"	30716 / 30716-1 / 30716-2 / 30716-3	87027	87026

Side Plate Brace Components						
Item	Part	Qty	Description	Item	Part	Qty Description
87022 8' / 10' / 12' LH Brace Kit						
1	89914	1	LH Side Plate Bracket	3	87025	1 Bolt Bag, Brace Kit
2	85977	1	LH Support Brace	4	87383	1 Bolt Bag – Pivot Shoe Kit, Front
87021 8' / 10' / 12' RH Brace Kit						
3	87025	1	Bolt Bag, Brace Kit	5	89913	1 RH Side Plate Bracket
4	87383	1	Bolt Bag – Pivot Shoe Kit, Front	6	85978	1 RH Support Brace
87027 14' / 16' LH Brace Kit						
1	89914	1	LH Side Plate Bracket	7	85974	1 LH Support Brace
4	87383	1	Bolt Bag – Pivot Shoe Kit, Front			
87026 14' / 16' RH Brace Kit						
4	87383	1	Bolt Bag – Pivot Shoe Kit, Front	8	85976	1 RH Support Brace
5	89913	1	RH Side Plate Bracket			
Item 3 87025 Bolt Bag, Brace Kit						
9		2	1/2-13 x 1-3/4 Hex Cap Screw G5	10		2 1/2-13 Hex Locknut GB
Item 4 87383 Bolt Bag – Pivot Shoe Kit, Front						
11		1	3/4-10 Hex Locknut GB	13	89446	1 Bushing, Spacer 2 x 0.78125 x 0.44
12	86999	1	Stopper Plate	14		1 3/4-10 x 3 Hex Cap Screw G5
G = Grade						

PILE DRIVER™ SIDE PLATES

Side Plate Components



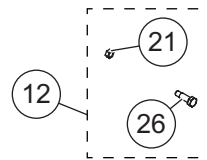
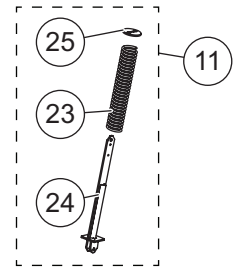
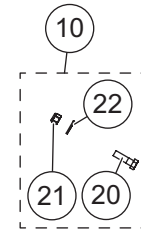
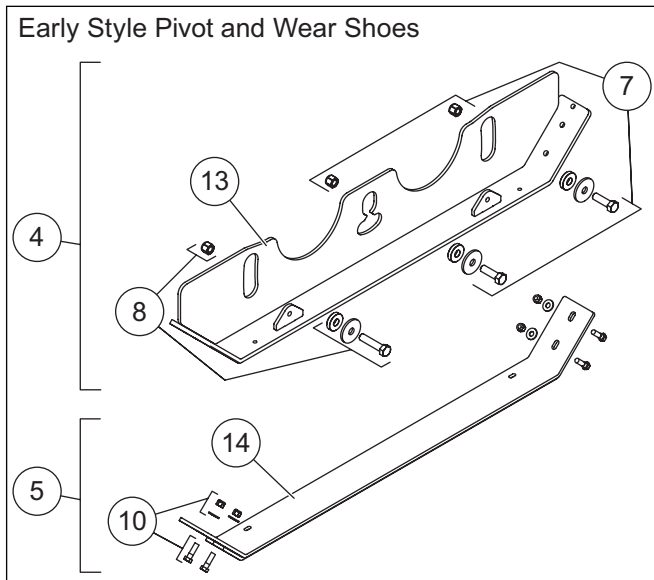
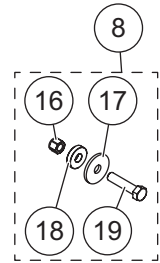
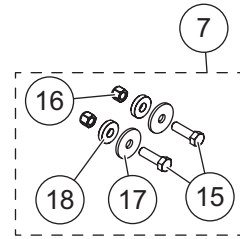
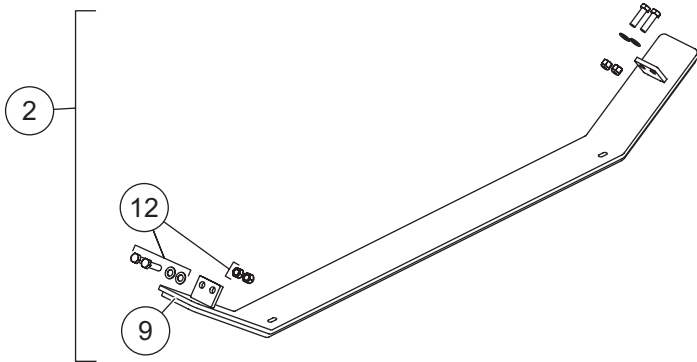
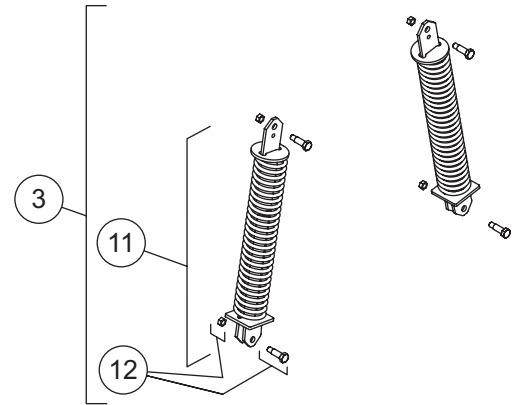
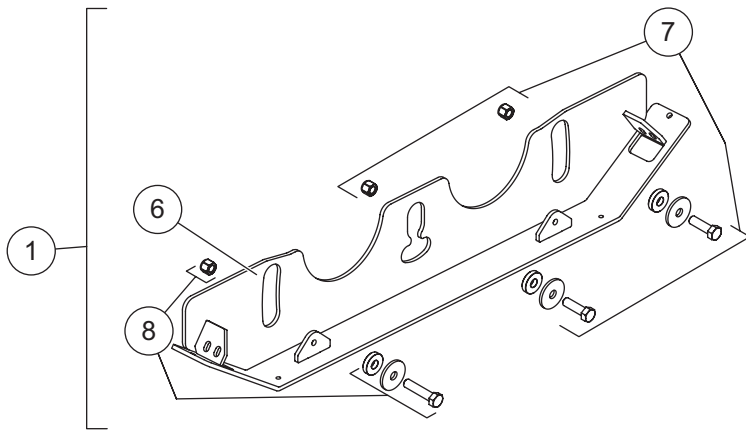
PILE DRIVER™ SIDE PLATES

Side Plate Components				
Plow	Side Plate Kit	Description	Side Plate Part	Label Part
31616/-1/-2/-3, 32016/-1/-2/-3, 32721/-1/-2/-3, 32734/-1/-2/-3, 32736/-1/-2/-3	81502	Side Plate Kit, 30" – DS	81784	31044
	81591	Side Plate Kit, 30" – PS	81784	31044
30708/-1/-2, 30710/-1/-2	81505	Side Plate Kit, 36" – DS	81787	31044
	81594	Side Plate Kit, 36" – PS	81787	31044
32058/-1/-2/-3, 30712/-1/-2/-3, 30714/-1/-2/-3, 30716/-1/-2/-3	81508	Side Plate Kit, 42" – DS	81792	31044
	81596	Side Plate Kit, 42" – PS	81792	31044

81502/81505/81508/81591/81594/81596 Side Plate Kits							
Item	Part	Qty	Description	Item	Part	Qty	Description
1		1	Side Plate	5		1	Pivot Shoe Kit
2	81522	1	Bolt Bag – Side Plate	6		1	Wear Shoe Kit
3	79957	1	Spring Bracket Kit	ns	31044	1	Label – Logo, WESTERN
4	79962	2	Spring Kit with Bolts				
Item 2				81522 Bolt Bag – Side Plate			
7		10	3/4-10 x 2 Hex Cap Screw G5	9		10	3/4 Flat Washer, Type A Narrow
8		10	3/4-10 Hex Locknut GB				
Item 3				79957 Spring Bracket Kit			
10	83237	1	Side Spring Bracket	11	79958	1	Bolt Bag – Spring Bracket Kit
Item 11				79958 Bolt Bag – Spring Bracket Kit			
12		4	1/2-13 x 1-3/4 Hex Cap Screw G5	14		2	1/2-13 x 2 Hex Cap Screw G5
13		6	1/2-13 Hex Locknut GB				
ns = not shown				G = Grade			

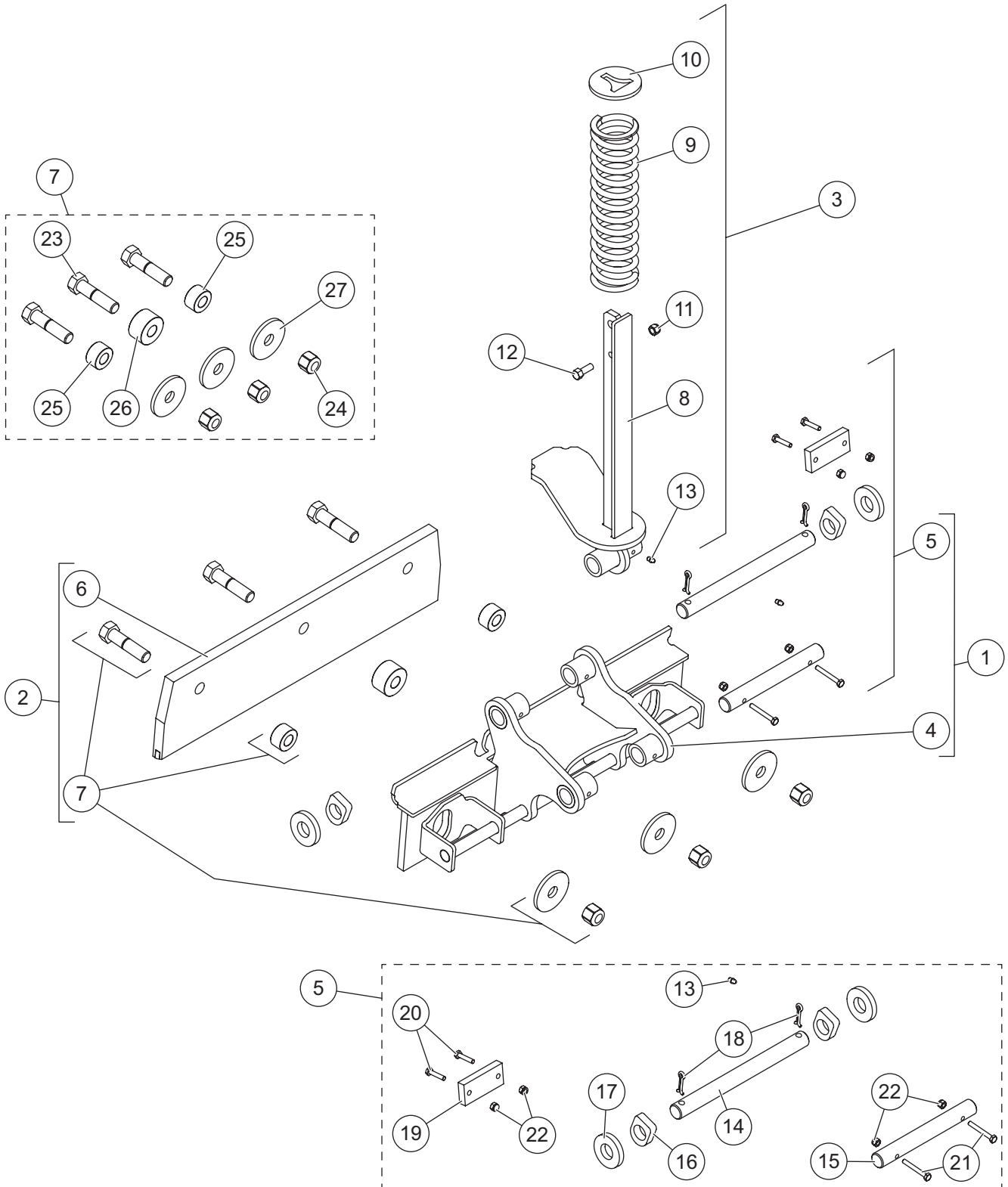
PILE DRIVER™ PIVOT SHOES

Pivot Shoe Components



TRACE™ TRIP EDGE

TRACE Trip Edge Components



TRACE™ TRIP EDGE

Length	Height	Pusher Plow	TRACE Trip Edge
		Model	Qty
8'	30"	31616 / -1 / -2 / -3	4
8'	36"	30708 / -1 / -2	4
10'	30"	32016 / -1 / -2 / -3	5
10'	36"	30710 / -1 / -2	5
10'	42"	32058 / -1 / -2 / -3	5
12'	30"	32721 / -1 / -2 / -3	6
12'	42"	30712 / -1 / -2 / -3	6
14'	30"	32734 / -1 / -2 / -3	7
14'	42"	30714 / -1 / -2 / -3	7
16'	30"	32736 / -1 / -2 / -3	8
16'	42"	30716 / -1 / -2 / -3	8

TRACE Trip Edge Components							
Item	Part	Qty	Description	Item	Part	Qty	Description
1	79964*	1	Trip Edge Kit	3	79986†	1	Spring Bar Kit
2	79966†	1	Cutting Edge Kit				
Item 1				79964* Trip Edge Kit			
4	89984	1	Base Angle	5	79965	1	Bolt Bag – Trip Edge
Item 2				79966† Cutting Edge Kit			
6	87999	1	Cutting Edge with Inserts	7	79967	1	Bolt Bag – Cutting Edge
Item 3				79986† Spring Bar Kit			
8	89993	1	Spring Bar	11		1	3/8-16 Hex Locknut GB
9	89559	1	Trip Spring – 172 lb/in	12		1	3/8-16 x 1 Hex Cap Screw G5
10	89992	1	Spring Plate	13		1	Grease Fitting
Item 5				79965 Bolt Bag – Trip Edge			
13		1	Grease Fitting	18		2	1/4 x 1-1/2 Cotter Pin
14	86989	1	1 x 11-1/8 Rod, Lower	19	89900	1	Spring Cartridge Guide
15	89986	1	Pivot Pin, Lower	20		2	1/4-20 x 1-1/4 Hex Cap Screw G5
16	89985	2	Bearing Block	21		2	1/4-20 x 2 Hex Cap Screw G8
17	86991	2	Flat Washer Special	22		4	1/4-20 Hex Locknut GB
Item 7				79967 Bolt Bag – Cutting Edge			
23		3	3/4-10 x 3 Hex Cap Screw G5	26	86998	1	Bushing, Edge – Large
24		3	3/4-10 Hex Locknut GB, All Metal	27	86999	3	Stopper Plate
25	86997	2	Bushing, Edge – Small				
G = Grade							

* Single trip edge per kit.

† Single cutting edge per kit.

‡ Single spring bar per kit.



Western Products
PO Box 245038
Milwaukee, WI 53224-9538
www.westernplows.com

 A DIVISION OF DOUGLAS DYNAMICS, LLC

Copyright © 2025 Douglas Dynamics, LLC. All rights reserved. This material may not be reproduced or copied, in whole or in part, in any printed, mechanical, electronic, film, or other distribution and storage media, without the written consent of Western Products. Authorization to photocopy items for internal or personal use by Western Products outlets or snowplow owner is granted.

Western Products reserves the right under its product improvement policy to change construction or design details and furnish equipment when so altered without reference to illustrations or specifications used. Western Products or the vehicle manufacturer may require or recommend optional equipment for snow removal. Do not exceed vehicle ratings with a snowplow. Western Products offers a limited warranty for all snowplows and accessories. See separately printed page for this important information. The following are registered (®) or unregistered (™) trademarks of Douglas Dynamics, LLC: PILE DRIVER™, TRACE™, WESTERN®.

Printed in U.S.A.