



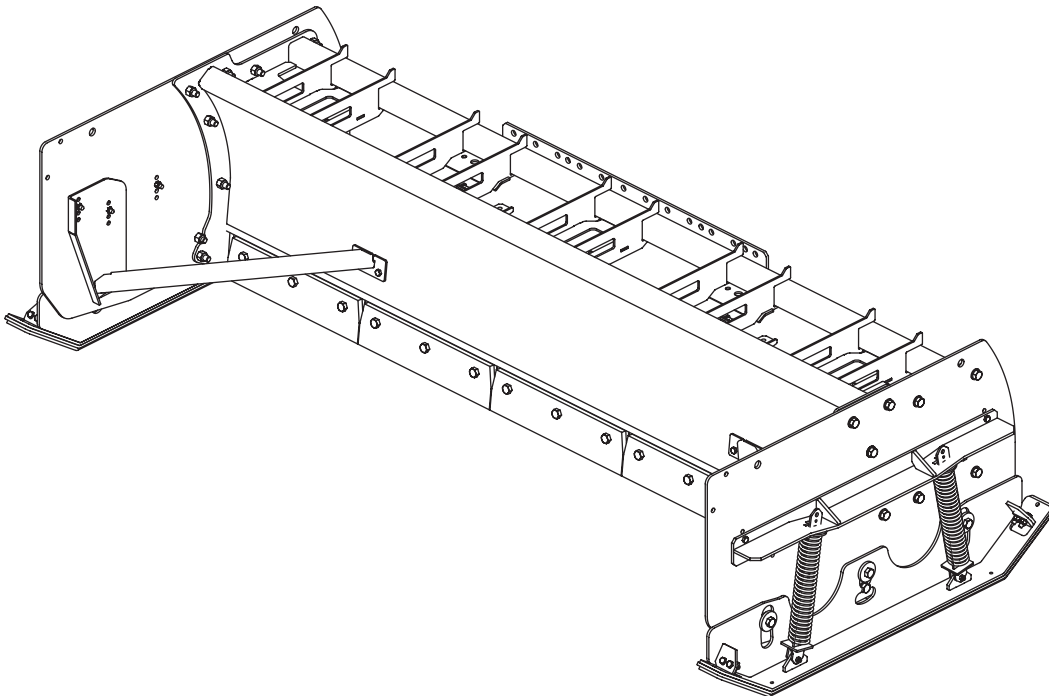
## ***POWER PUSHER™ TE***

**31608/-1/-2, 31612/-1/-2/-3, 31610/-1/-2,  
31614/-1/-2/-3, 32190/-1/-2/-3,  
32192/-1/-2/-3, 32194/-1/-2/-3,  
32196/-1/-2/-3, 32821/-1/-2/-3,  
32824/-1/-2/-3, 32826/-1/-2/-3**

## **POWER PUSHER™ Snowplow**

**TRACE™ Trip Edge Pusher Plow**

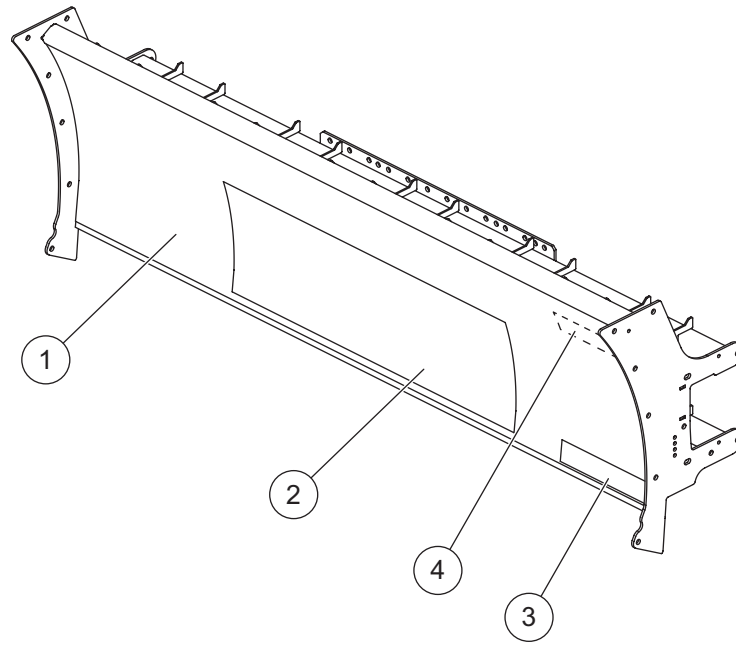
### **Parts List**



# POWER PUSHER™ BLADE COMPONENTS

---

## Blade Components



# POWER PUSHER™ BLADE COMPONENTS

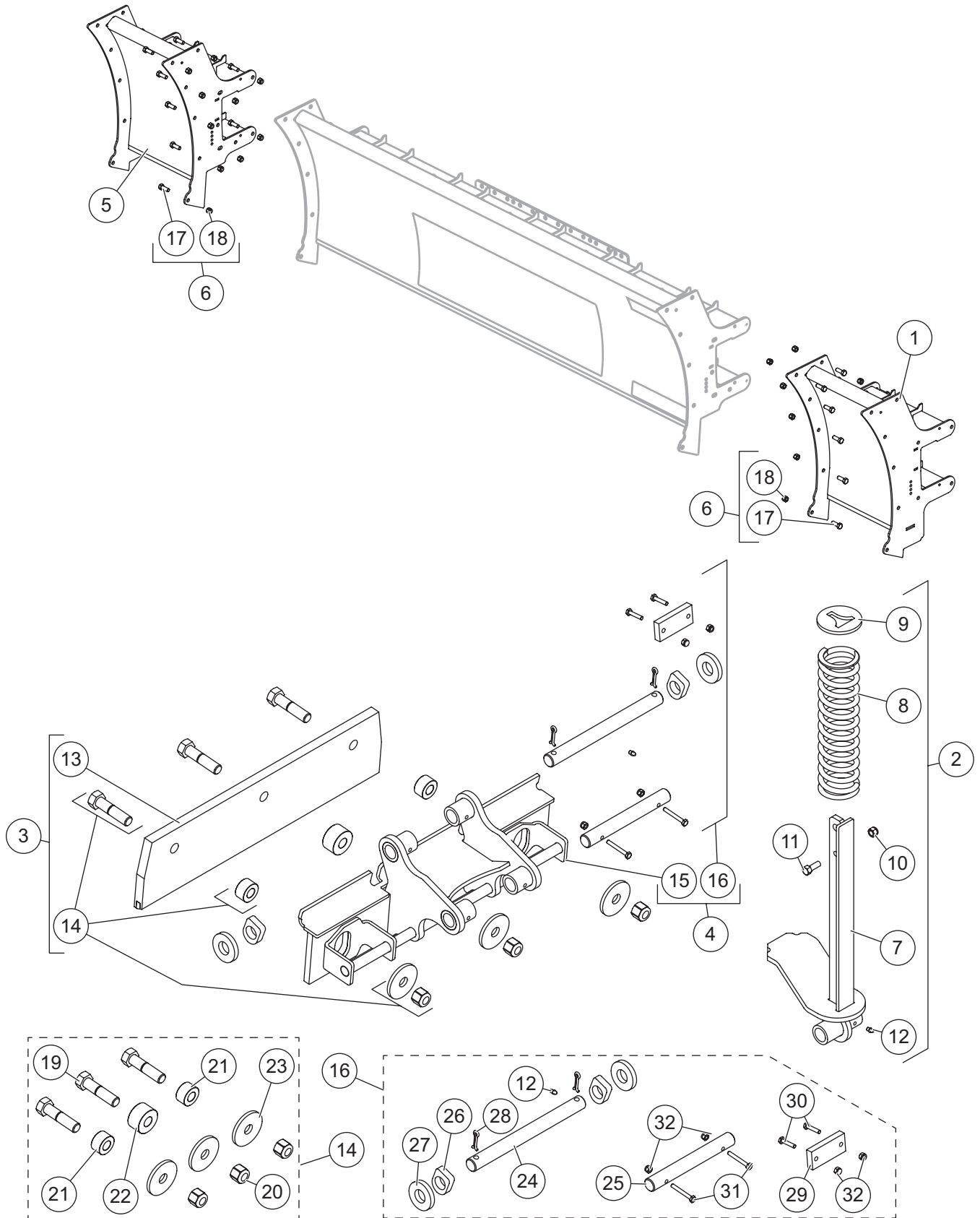
Blades					
Length	Height	Pusher Plow Model	Blade Kit	LH 2' Extension Kit	RH 2' Extension Kit
8'	30"	31612 / 31612-1 / 31612-2 / 31612-3	81463		
8'	36"	31608 / 31608-1 / 31608-2	81469		
10'	30"	31614 / 31614-1 / 31614-2 / 31614-3	81464		
10'	36"	31610 / 31610-1 / 31610-2	81471		
10'	42"	32190 / 32190-1 / 32190-2 / 32190-3	87219		
12'	30"	32821 / 32821-1 / 32821-2 / 32821-3	87985		
12'	42"	32192 / 32192-1 / 32192-2 / 32192-3	87220		
14'	30"	32824 / 32824-1 / 32824-2 / 32824-3	81464	81499	81500
14'	42"	32194 / 32194-1 / 32194-2 / 32194-3	87219	87179	87180
16'	30"	32826 / 32826-1 / 32826-2 / 32826-3	87985	81499	81500
16'	42"	32196 / 32196-1 / 32196-2 / 32196-3	87220	87179	87180

Blade Components							
Item	Part	Qty	Description	Item	Part	Qty	Description
<b>81463 8' 30" Blade Kit</b>							
1	81768	1	8' 30" Blade	3	31220	1	Label – Logo, TRACE White SM
2	31217	1	Label – Logo, POWER PUSHER SM	4	31225	1	Label – Logo, TRACE White Text
<b>81469 8' 36" Blade Kit</b>							
1	81769	1	8' 36" Blade	3	31220	1	Label – Logo, TRACE White SM
2	31218	1	Label – Logo, POWER PUSHER MD	4	31225	1	Label – Logo, TRACE White Text
<b>81464 10' 30" Blade Kit</b>							
1	81771	1	10' 30" Blade	3	31220	1	Label – Logo, TRACE White SM
2	31217	1	Label – Logo, POWER PUSHER SM	4	31225	1	Label – Logo, TRACE White Text
<b>81471 10' 36" Blade Kit</b>							
1	81778	1	10' 36" Blade	3	31220	1	Label – Logo, TRACE White SM
2	31218	1	Label – Logo, POWER PUSHER MD	4	31225	1	Label – Logo, TRACE White Text
<b>87219 10' 42" Blade Kit</b>							
1	89121	1	10' 42" Blade	3	31220	1	Label – Logo, TRACE White SM
2	31218	1	Label – Logo, POWER PUSHER MD	4	31225	1	Label – Logo, TRACE White Text
<b>87985 12' 30" Blade Kit</b>							
1	81749	1	12' 30" Blade	3	31220	1	Label – Logo, TRACE White SM
2	31217	1	Label – Logo, POWER PUSHER SM	4	31225	1	Label – Logo, TRACE White Text
<b>87220 12' 42" Blade Kit</b>							
1	89122	1	12' 42" Blade	3	31220	1	Label – Logo, TRACE White SM
2	31218	1	Label – Logo, POWER PUSHER MD	4	31225	1	Label – Logo, TRACE White Text
<b>Blade Accessories</b>							
ns*	85733	1	8' Back Drag Edge Kit	ns*	85735	1	12' Back Drag Edge Kit
ns*	85734	1	10' Back Drag Edge Kit				
G = Grade				ns = not shown			

\* Accessory only

# POWER PUSHER™ BLADE COMPONENTS

## Blade Components



# POWER PUSHER™ BLADE COMPONENTS

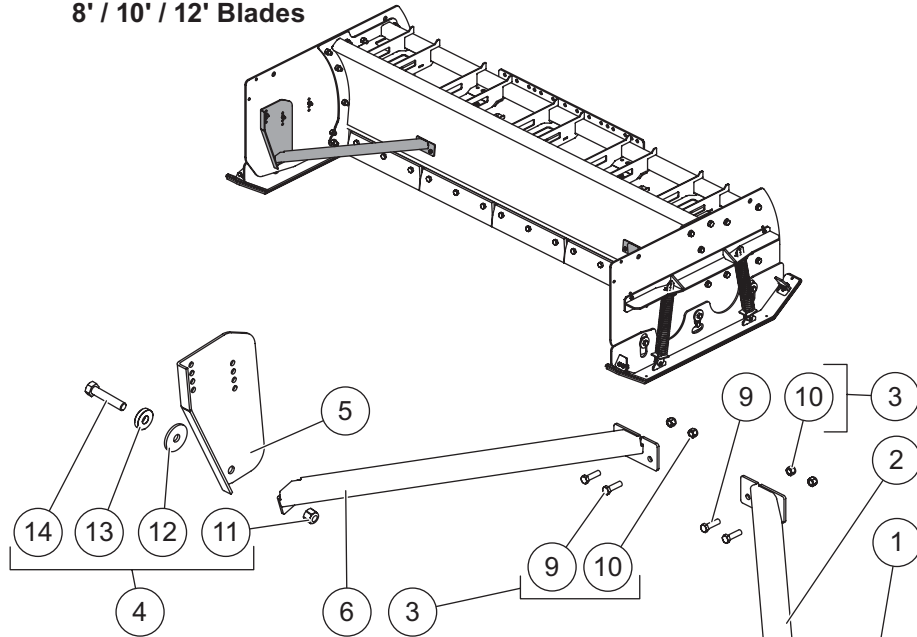
Blades and Extensions						
Length	Height	Pusher Plow Model	Blade Kit	LH 2' Extension Kit	RH 2' Extension Kit	
14'	30"	32824 / 32824-1 / 32824-2 / 32824-3	81464	81499	81500	
14'	42"	32194 / 32194-1 / 32194-2 / 32194-3	87219	87179	87180	
16'	30"	32826 / 32826-1 / 32826-2 / 32826-3	87985	81499	81500	
16'	42"	32196 / 32196-1 / 32196-2 / 32196-3	87220	87179	87180	

Extension Components							
Item	Part	Qty	Description	Item	Part	Qty	Description
	81499	1	2' LH Extension Kit, 30"		87179	1	2' LH Extension Kit, 42"
	81500	1	2' RH Extension Kit, 30"		87180	1	2' RH Extension Kit, 42"
<b>81499 LH 2' Extension Kit, 30"</b>							
1		1	2' LH Extension	4	81459	1	Trip Edge Kit
2	79986	1	Spring Bar Kit	5	79937	1	Bolt Bag – 2' Extension
3	79966	1	Cutting Edge Kit				
<b>81500 RH 2' Extension Kit, 30"</b>							
2	79986	1	Spring Bar Kit	5	79937	1	Bolt Bag – 2' Extension
3	79966	1	Cutting Edge Kit	6		1	2' RH Extension
4	81459	1	Trip Edge Kit				
<b>87179 LH 2' Extension Kit, 42"</b>							
1		1	2' LH Extension	4	81459	1	Trip Edge Kit
2	79986	1	Spring Bar Kit	5	79937	1	Bolt Bag – 2' Extension
3	79966	1	Cutting Edge Kit				
<b>87180 RH 2' Extension Kit, 42"</b>							
2	79986	1	Spring Bar Kit	5	79937	1	Bolt Bag – 2' Extension
3	79966	1	Cutting Edge Kit	6		1	2' RH Extension
4	81459	1	Trip Edge Kit				
<b>Item 2 79986<sup>±</sup> Spring Bar Kit</b>							
7	89993	1	Spring Bar	10		1	3/8-16 Hex Locknut GB
8	89559	1	Trip Spring – 172 lb/in	11		1	3/8-16 x 1 Hex Cap Screw G5
9	89992	1	Spring Plate	12		1	Grease Fitting
<b>Item 3 79966<sup>±</sup> Cutting Edge Kit</b>							
13	87999	1	Cutting Edge with Inserts	14	79967	1	Bolt Bag – Cutting Edge
<b>Item 4 81459 Trip Edge Kit</b>							
15	89892	1	Base Angle	16	79965	1	Bolt Bag – Trip Edge
<b>Item 6 79937 Bolt Bag, 2' Extension</b>							
17		10	3/4-10 x 2 Hex Cap Screw G5	18		10	3/4-10 Hex Locknut GB
<b>Item 14 79967 Bolt Bag – Cutting Edge</b>							
19		3	3/4-10 x 3 Hex Cap Screw G5	22	86998	1	Bushing, Edge – Large
20		3	3/4-10 Hex Locknut GB, All Metal	23	86999	3	Stopper Plate
21	86997	2	Bushing, Edge – Small				
<b>Item 16 79965 Bolt Bag – Trip Edge</b>							
12		1	Grease Fitting	28		2	1/4 x 1-1/2 Cotter Pin
24	86989	1	1 x 11-1/8 Rod, Lower	29	89900	1	Spring Cartridge Guide
25	89986	1	Pivot Pin, Lower	30		2	1/4-20 x 1-1/4 Hex Cap Screw G5
26	89985	2	Bearing Block	31		2	1/4-20 x 2 Hex Cap Screw G8
27	86991	2	Flat Washer Special	32		4	1/4-20 Hex Locknut GB
G = Grade							

# POWER PUSHER™ BLADE COMPONENTS

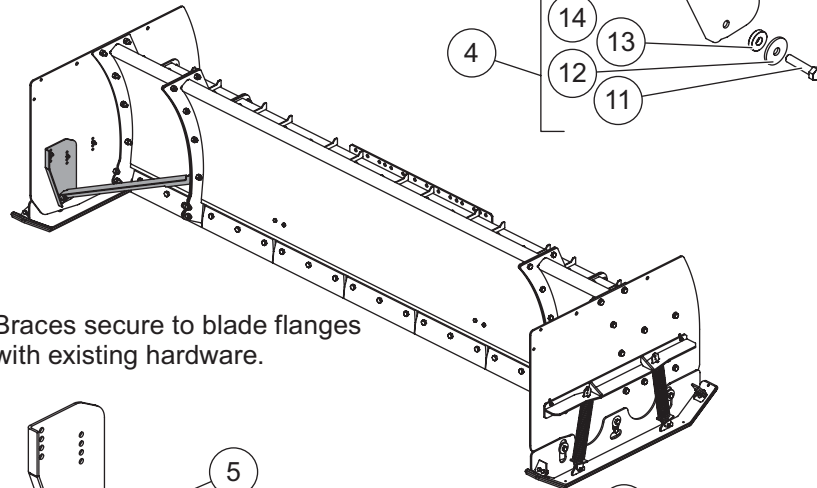
## Side Plate Brace Components

8' / 10' / 12' Blades

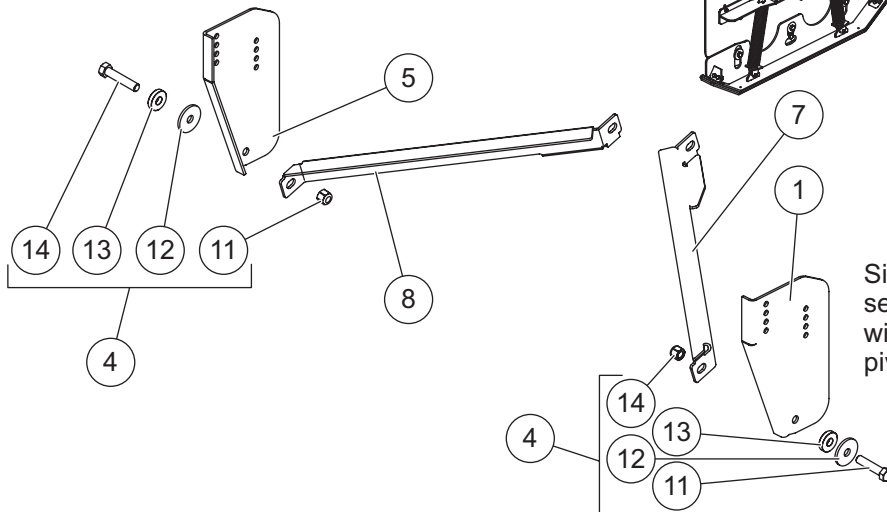


Side plate brackets are secured to side plates with spring bracket and pivot shoe hardware.

14' / 16' Blades



Braces secure to blade flanges with existing hardware.



Side plate brackets are secured to side plates with spring bracket and pivot shoe hardware.

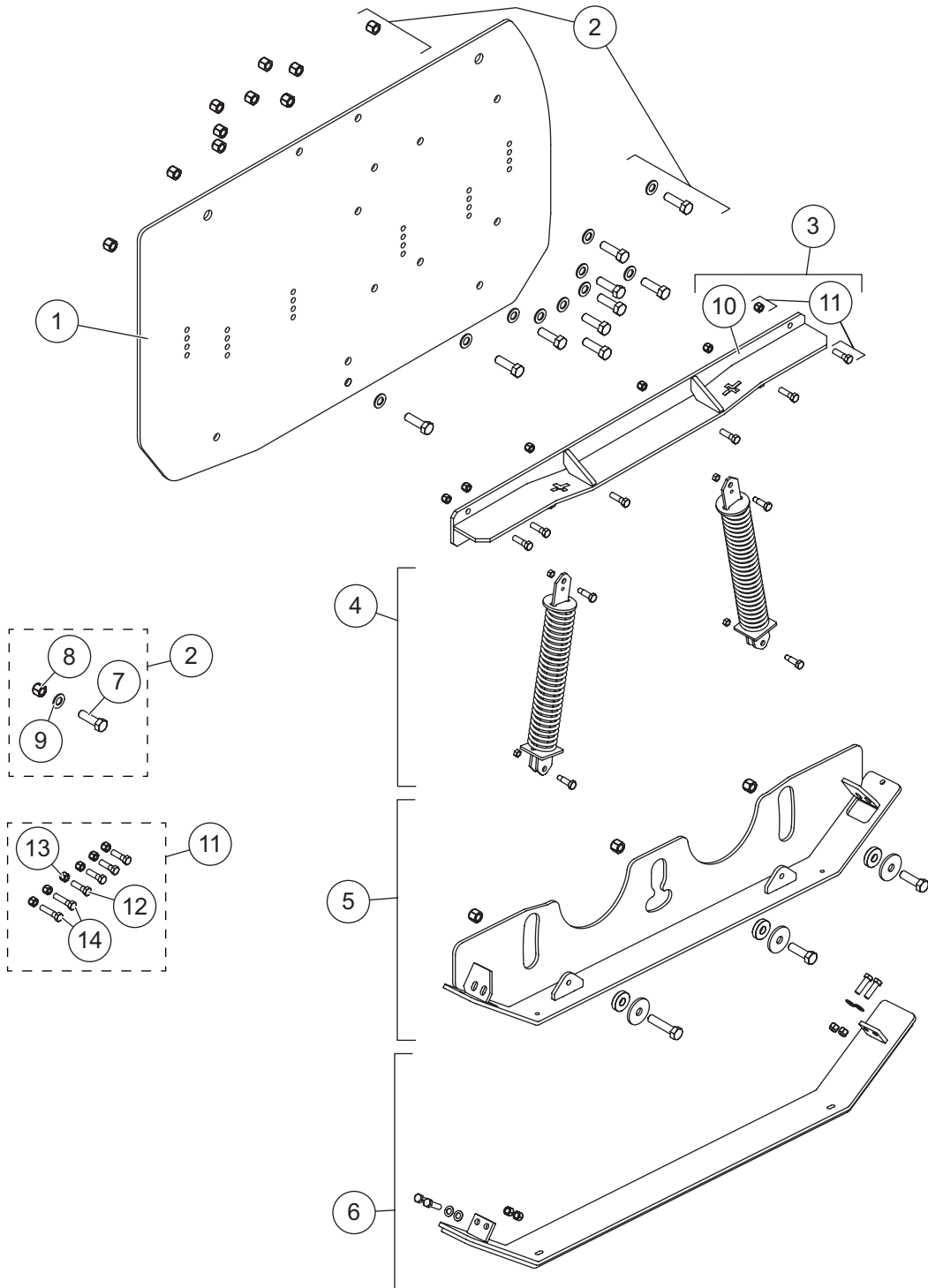
# POWER PUSHER™ BLADE COMPONENTS

<b>Side Plate Brace Components</b>				
Length	Height	Pusher Plow Model	LH Brace Kit	RH Brace Kit
8'	30"	31612 / 31612-1 / 31612-2 / 31612-3	87022	87021
8'	36"	31608 / 31608-1 / 31608-2	87022	87021
10'	30"	31614 / 31614-1 / 31614-2 / 31614-3	87022	87021
10'	36"	31610 / 31610-1 / 31610-2	87022	87021
10'	42"	32190 / 32190-1 / 32190-2 / 32190-3	87022	87021
12'	30"	32821 / 32821-1 / 32821-2 / 32821-3	87022	87021
12'	42"	32192 / 32192-1 / 32192-2 / 32192-3	87022	87021
14'	30"	32824 / 32824-1 / 32824-2 / 32824-3	87027	87026
14'	42"	32194 / 32194-1 / 32194-2 / 32194-3	87027	87026
16'	30"	32826 / 32826-1 / 32826-2 / 32826-3	87027	87026
16'	42"	32196 / 32196-1 / 32196-2 / 32196-3	87027	87026

<b>Side Plate Brace Components</b>							
Item	Part	Qty	Description	Item	Part	Qty	Description
<b>87022 8' / 10' / 12' LH Brace Kit</b>							
1	89914	1	LH Side Plate Bracket	3	87025	1	Bolt Bag, Brace Kit
2	85977	1	LH Support Brace	4	87383	1	Bolt Bag – Pivot Shoe Kit, Front
<b>87021 8' / 10' / 12' RH Brace Kit</b>							
3	87025	1	Bolt Bag, Brace Kit	5	89913	1	RH Side Plate Bracket
4	87383	1	Bolt Bag – Pivot Shoe Kit, Front	6	85978	1	RH Support Brace
<b>87027 14' / 16' LH Brace Kit</b>							
1	89914	1	LH Side Plate Bracket	7	85974	1	LH Support Brace
4	87383	1	Bolt Bag – Pivot Shoe Kit, Front				
<b>87026 14' / 16' RH Brace Kit</b>							
4	87383	1	Bolt Bag – Pivot Shoe Kit, Front	8	85976	1	RH Support Brace
5	89913	1	RH Side Plate Bracket				
<b>Item 3 87025 Bolt Bag, Brace Kit</b>							
9				2	1/2-13 x 1-3/4 Hex Cap Screw G5		
10				2	1/2-13 Hex Locknut GB		
<b>Item 4 87383 Bolt Bag – Pivot Shoe Kit, Front</b>							
11	1	3/4-10 Hex Locknut GB		13	89446	1	Bushing, Spacer 2 x 0.78125 x 0.44
12	86999	1	Stopper Plate	14	3/4-10 x 3 Hex Cap Screw G5		
G = Grade							

# POWER PUSHER™ SIDE PLATES

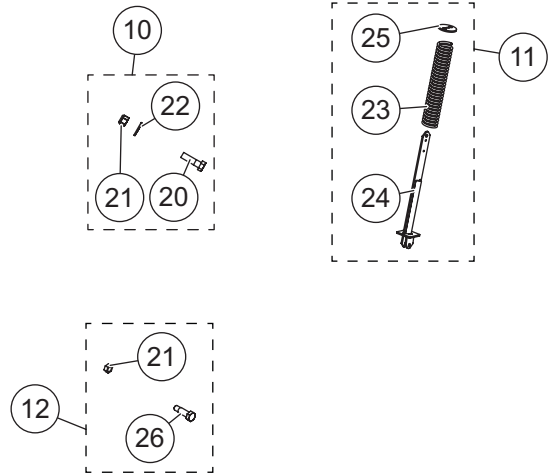
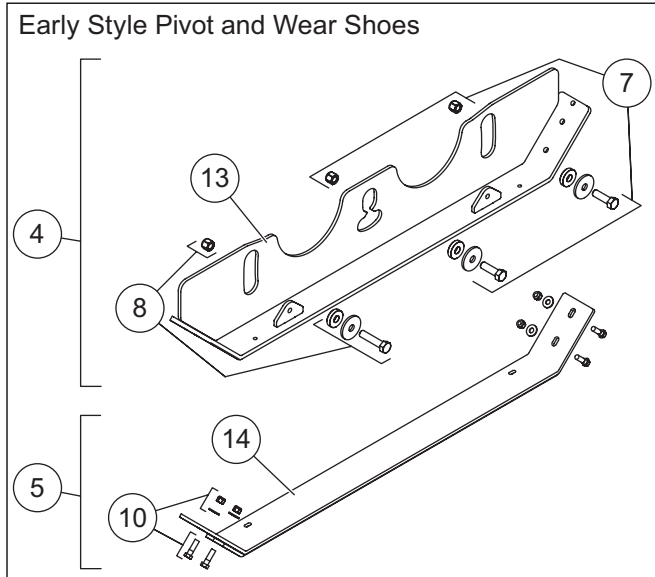
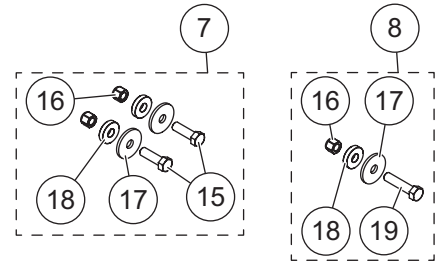
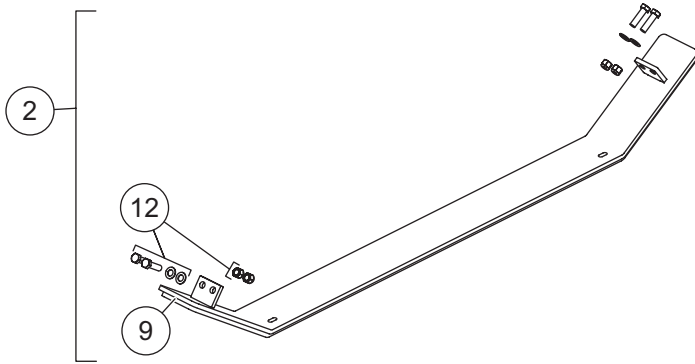
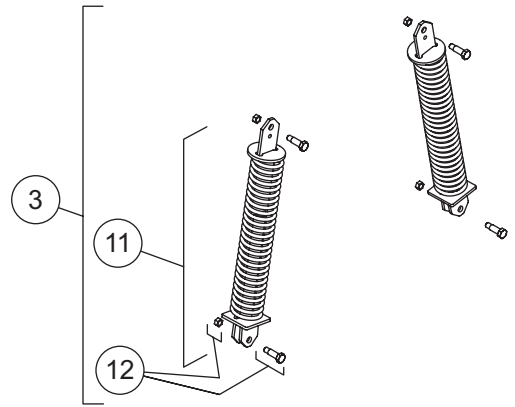
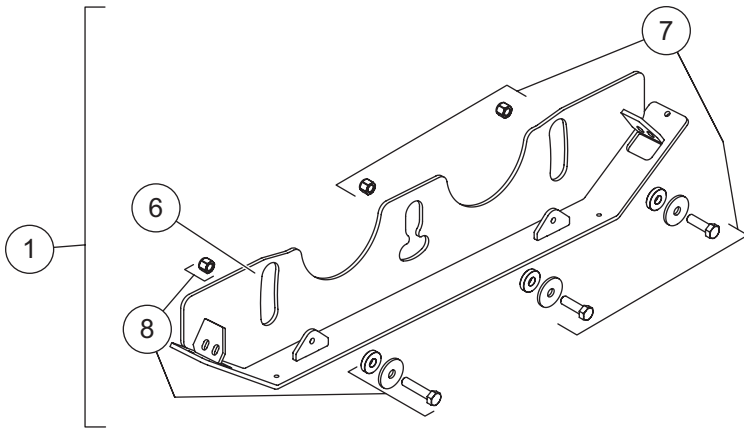
## Side Plate Components





# POWER PUSHER™ PIVOT SHOES

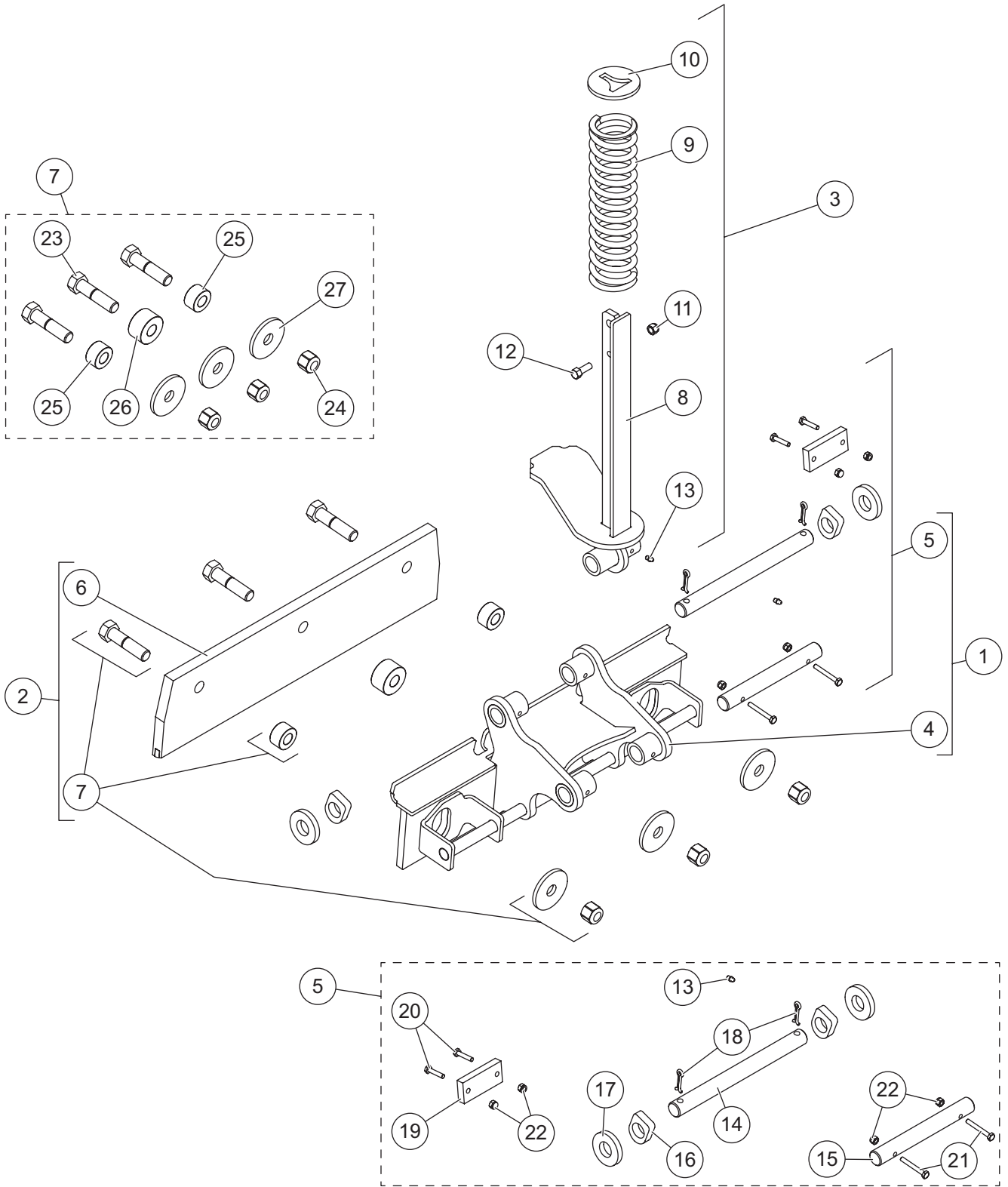
## Pivot Shoe Components





# TRACE™ TRIP EDGE

## TRACE Trip Edge Components



# TRACE™ TRIP EDGE

Length	Height	Pusher Plow	TRACE Trip Edge
		Model	Qty
8'	30"	31612 / -1 / -2 / -3	4
8'	36"	31608 / -1 / -2	4
10'	30"	31614 / -1 / -2 / -3	5
10'	36"	31610 / -1 / -2	5
10'	42"	32190 / -1 / -2 / -3	5
12'	30"	32821 / -1 / -2 / -3	6
12'	42"	32192 / -1 / -2 / -3	6
14'	30"	32824 / -1 / -2 / -3	7
14'	42"	32194 / -1 / -2 / -3	7
16'	30"	32826 / -1 / -2 / -3	8
16'	42"	32196 / -1 / -2 / -3	8

TRACE Trip Edge Components							
Item	Part	Qty	Description	Item	Part	Qty	Description
1	79964*	1	Trip Edge Kit	3	79986†	1	Spring Bar Kit
2	79966†	1	Cutting Edge Kit				
<b>Item 1</b>				<b>79964* Trip Edge Kit</b>			
4	89984	1	Base Angle	5	79965	1	Bolt Bag – Trip Edge
<b>Item 2</b>				<b>79966† Cutting Edge Kit</b>			
6	87999	1	Cutting Edge with Inserts	7	79967	1	Bolt Bag – Cutting Edge
<b>Item 3</b>				<b>79986† Spring Bar Kit</b>			
8	89993	1	Spring Bar	11		1	3/8-16 Hex Locknut GB
9	89559	1	Trip Spring – 172 lb/in	12		1	3/8-16 x 1 Hex Cap Screw G5
10	89992	1	Spring Plate	13		1	Grease Fitting
<b>Item 5</b>				<b>79965 Bolt Bag – Trip Edge</b>			
13		1	Grease Fitting	18		2	1/4 x 1-1/2 Cotter Pin
14	86989	1	1 x 11-1/8 Rod, Lower	19	89900	1	Spring Cartridge Guide
15	89986	1	Pivot Pin, Lower	20		2	1/4-20 x 1-1/4 Hex Cap Screw G5
16	89985	2	Bearing Block	21		2	1/4-20 x 2 Hex Cap Screw G8
17	86991	2	Flat Washer Special	22		4	1/4-20 Hex Locknut GB
<b>Item 7</b>				<b>79967 Bolt Bag – Cutting Edge</b>			
23		3	3/4-10 x 3 Hex Cap Screw G5	26	86998	1	Bushing, Edge – Large
24		3	3/4-10 Hex Locknut GB, All Metal	27	86999	3	Stopper Plate
25	86997	2	Bushing, Edge – Small				

G = Grade

\* Single trip edge per kit.

† Single cutting edge per kit.

‡ Single spring bar per kit.



TrynEx International, LLC  
531 Ajax Drive  
Madison Heights, MI 48071-2429  
[www.snowexproducts.com](http://www.snowexproducts.com)

 A DIVISION OF DOUGLAS DYNAMICS, LLC

Copyright © 2025 Douglas Dynamics, LLC. All rights reserved. This material may not be used, reproduced, or copied in any manner, in whole or in part, in any printed, mechanical, electronic, film, or other distribution and storage media, nor analyzed or manipulated in any manner for the purpose of training artificial intelligence technologies or systems, without the written consent of TrynEx International, LLC. In accordance with Article 4(3) of the Digital Single Market Directive 2019/790, TrynEx International expressly reserves this work from the text and data mining exception. Authorization to photocopy items for internal or personal use by TrynEx International outlets or equipment owner is granted.

TrynEx International reserves the right under its product improvement policy to change construction or design details and furnish equipment when so altered without reference to illustrations or specifications used. TrynEx International or the vehicle manufacturer may require or recommend optional equipment for snow removal. Do not exceed vehicle ratings with a snowplow. TrynEx International offers a limited warranty for all equipment and accessories. See separately printed page for this important information. The following are registered (®) or unregistered (™) trademarks of Douglas Dynamics, LLC: POWER PUSHER™, SnowEx®, TRACE™.

Printed in U.S.A.